

US00D503411S

(12) **United States Design Patent**
Fujiwara

(10) **Patent No.:** **US D503,411 S**
(45) **Date of Patent:** **** Mar. 29, 2005**

(54) **CENTRIFUGAL PUMP**

(75) Inventor: **Youichi Fujiwara, Nagaokakyo (JP)**

(73) Assignee: **Koshin, Ltd. (JP)**

(**) Term: **14 Years**

(21) Appl. No.: **29/186,754**

(22) Filed: **Jul. 22, 2003**

(30) **Foreign Application Priority Data**

Feb. 7, 2003 (JP) 2003-002768

(51) **LOC (7) Cl.** **15-02**

(52) **U.S. Cl.** **D15/7**

(58) **Field of Search** D15/7-9; 417/321,
417/410, 413.1, 415, 423.3, 486, 521, 534;
415/148

(56) **References Cited**

U.S. PATENT DOCUMENTS

4,202,654 A * 5/1980 Marlow 415/113
4,419,048 A * 12/1983 Pilachowski et al. 415/196

6,287,074 B1 * 9/2001 Chancellor 417/231
D455,440 S * 4/2002 Yorulmazoglu et al. D15/7
6,375,437 B1 * 4/2002 Nolan 417/234

* cited by examiner

Primary Examiner—Ralf Seifert

(74) *Attorney, Agent, or Firm*—Saidman DesignLaw Group

(57) **CLAIM**

The ornamental design for a centrifugal pump, as shown and described.

DESCRIPTION

FIG. 1 is a front elevational view of a centrifugal pump showing my new design;
FIG. 2 is a rear elevational view thereof;
FIG. 3 is a top plan view thereof;
FIG. 4 is a bottom plan view thereof;
FIG. 5 is a right side view thereof;
FIG. 6 is a left side view thereof;
FIG. 7 is a front perspective view thereof; and,
FIG. 8 is a rear perspective view thereof.

1 Claim, 8 Drawing Sheets



Fig. 1

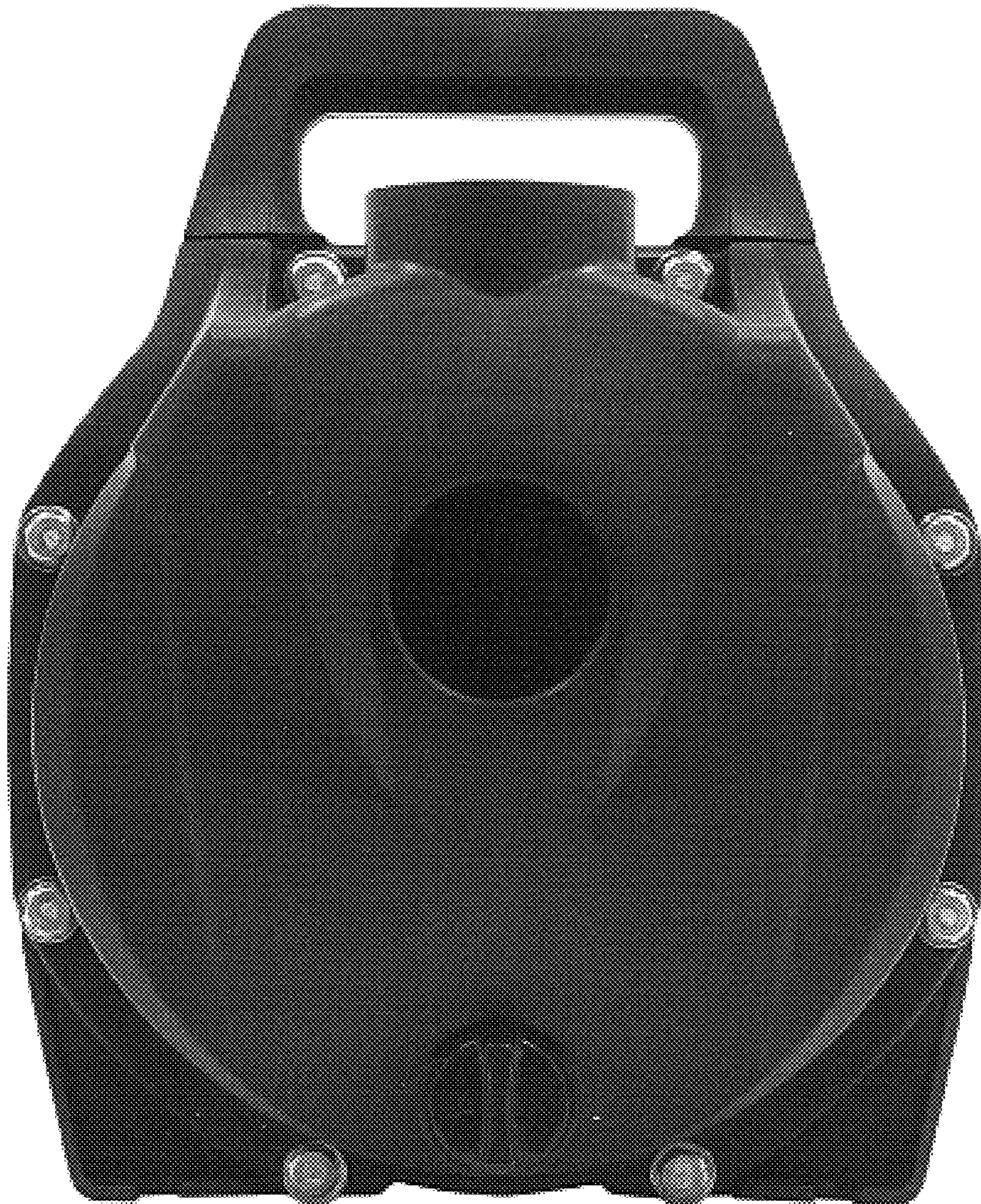


Fig. 2

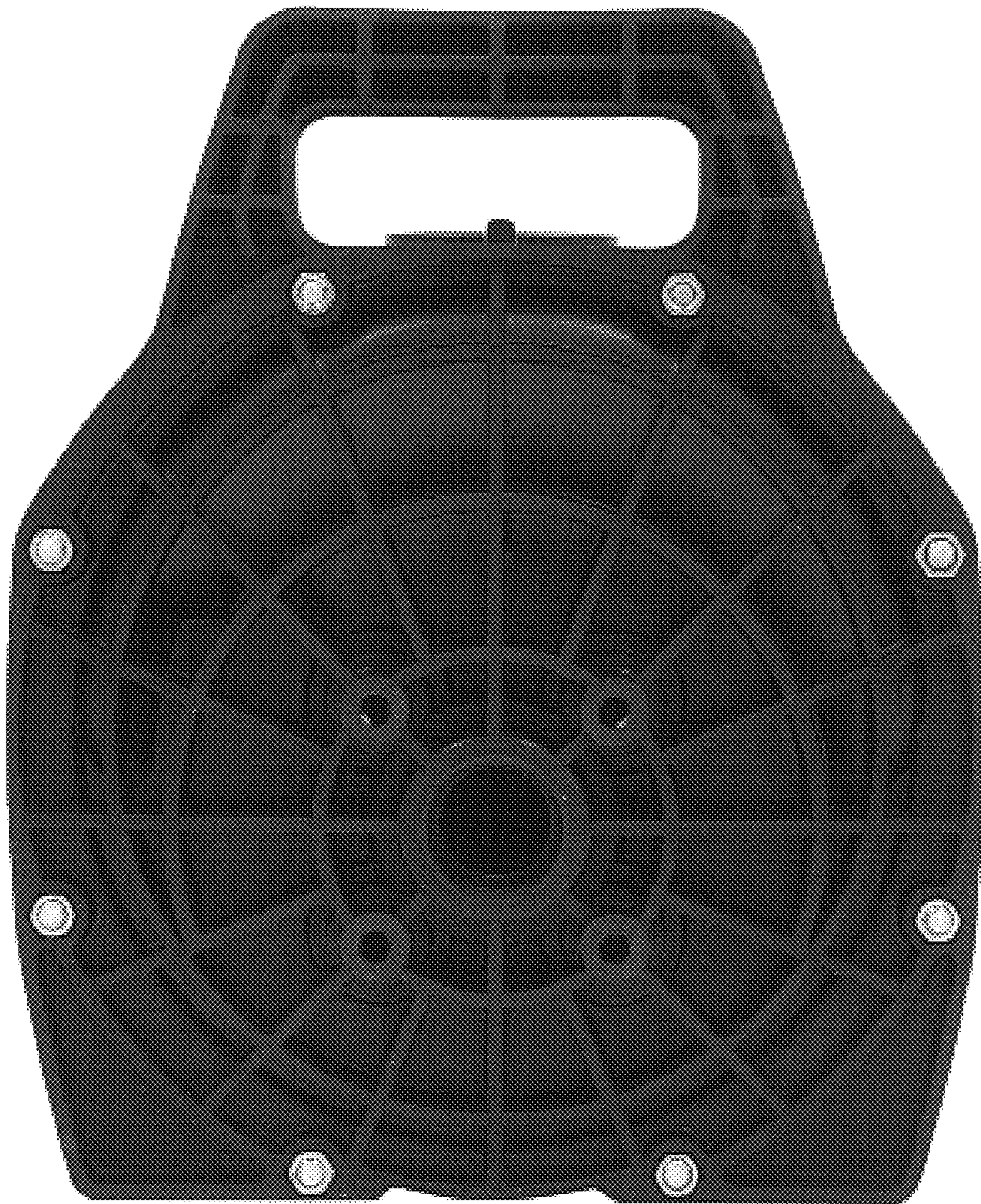


Fig. 3



Fig.4

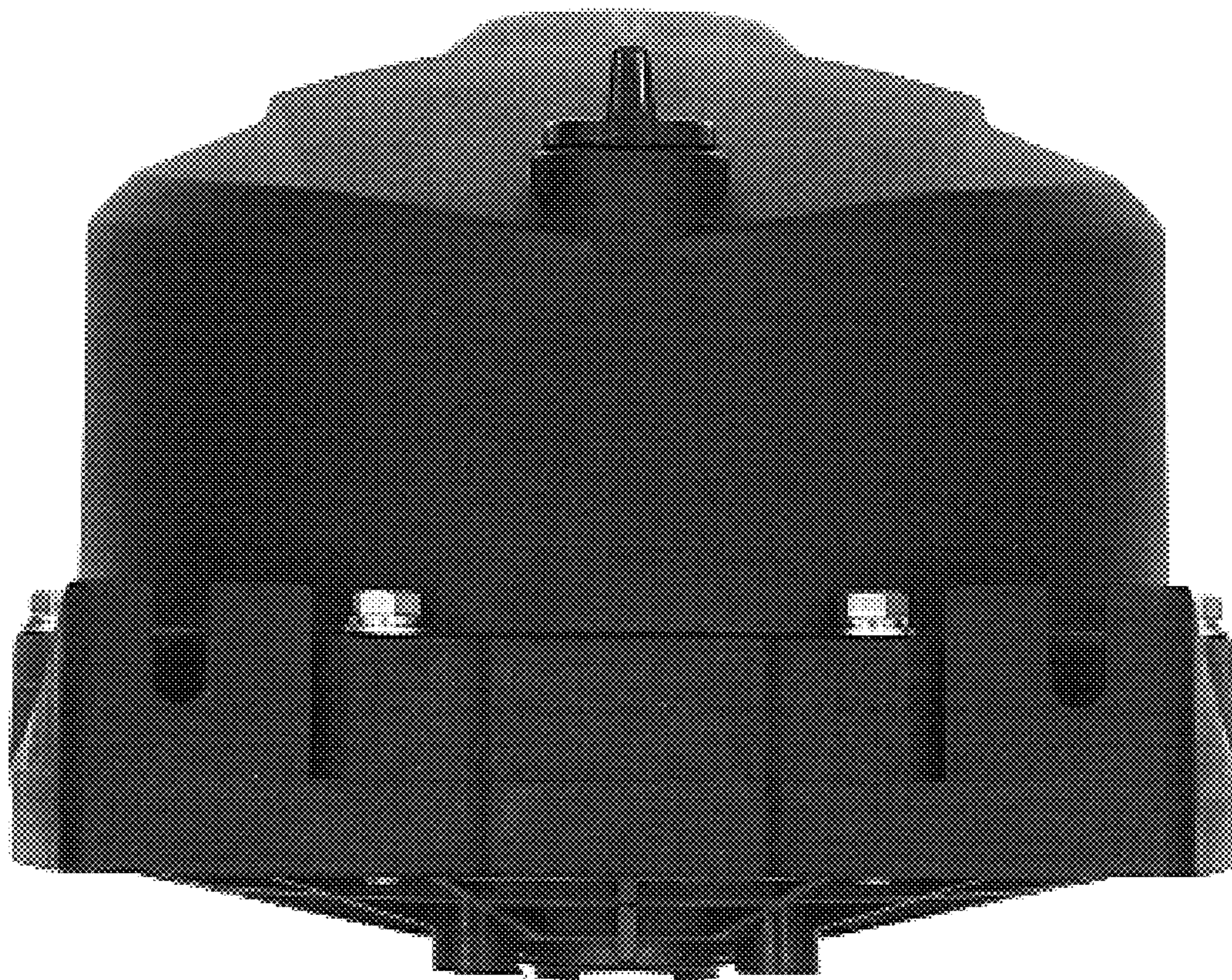


Fig. 5



Fig. 6

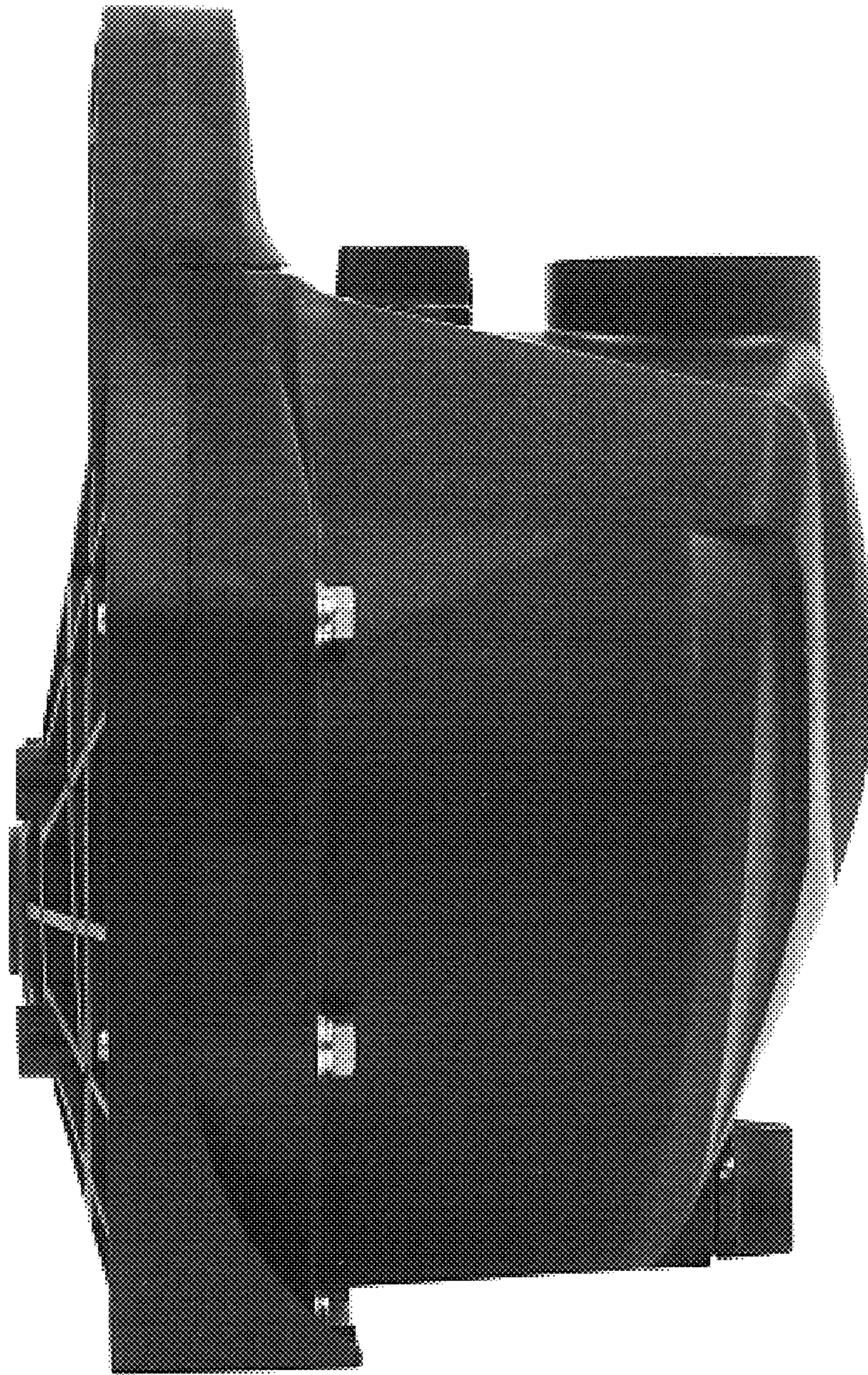


Fig. 7



Fig. 8

