



US00D503410S

(12) **United States Design Patent**  
**Kato**

(10) **Patent No.:** **US D503,410 S**  
(45) **Date of Patent:** **\*\* Mar. 29, 2005**

(54) **INTERNAL-COMBUSTION ENGINE**

(75) **Inventor:** **Yuya Kato, Saitama (JP)**

(73) **Assignee:** **Honda Motor Co., Ltd., Tokyo (JP)**

(\*\*) **Term:** **14 Years**

(21) **Appl. No.:** **29/194,095**

(22) **Filed:** **Nov. 20, 2003**

(30) **Foreign Application Priority Data**

May 28, 2003 (JP) ..... 2003-14864

(51) **LOC (7) Cl.** ..... **15-01**

(52) **U.S. Cl.** ..... **D15/1**

(58) **Field of Search** ..... D15/1-5; 123/41.7,  
123/50 A, 56, 198 E, 306, 308, 661, 667

(56) **References Cited**

**U.S. PATENT DOCUMENTS**

D406,147 S	*	2/1999	Watanabe	.....	D15/1
D416,265 S	*	11/1999	Kato et al.	.....	D15/1
D421,024 S	*	2/2000	Katoh	.....	D15/1
D443,280 S	*	6/2001	Shimizu	.....	D15/1
D444,478 S	*	7/2001	Shimizu	.....	D15/1

D453,522 S	*	2/2002	Maeda et al.	.....	D15/1
D457,891 S	*	5/2002	Matre	.....	D15/1
D470,507 S	*	2/2003	Maeda et al.	.....	D15/1
D491,193 S	*	6/2004	Davis	.....	D15/1

\* cited by examiner

*Primary Examiner*—Melody N. Brown

(74) *Attorney, Agent, or Firm*—Westerman, Hattori,  
Daniels & Adrian, LLP

(57) **CLAIM**

The ornamental design for, an internal-combustion engine,  
as shown and described.

**DESCRIPTION**

FIG. 1 is a front elevation view of an internal-combustion engine, showing our new design;  
FIG. 2 is a rear elevation view thereof;  
FIG. 3 is a top plan view thereof;  
FIG. 4 is a bottom plan view thereof;  
FIG. 5 is a right side elevation view thereof;  
FIG. 6 is a left side elevation view thereof;  
FIG. 7 is a perspective view thereof; and,  
FIG. 8 is another perspective view thereof.

**1 Claim, 4 Drawing Sheets**

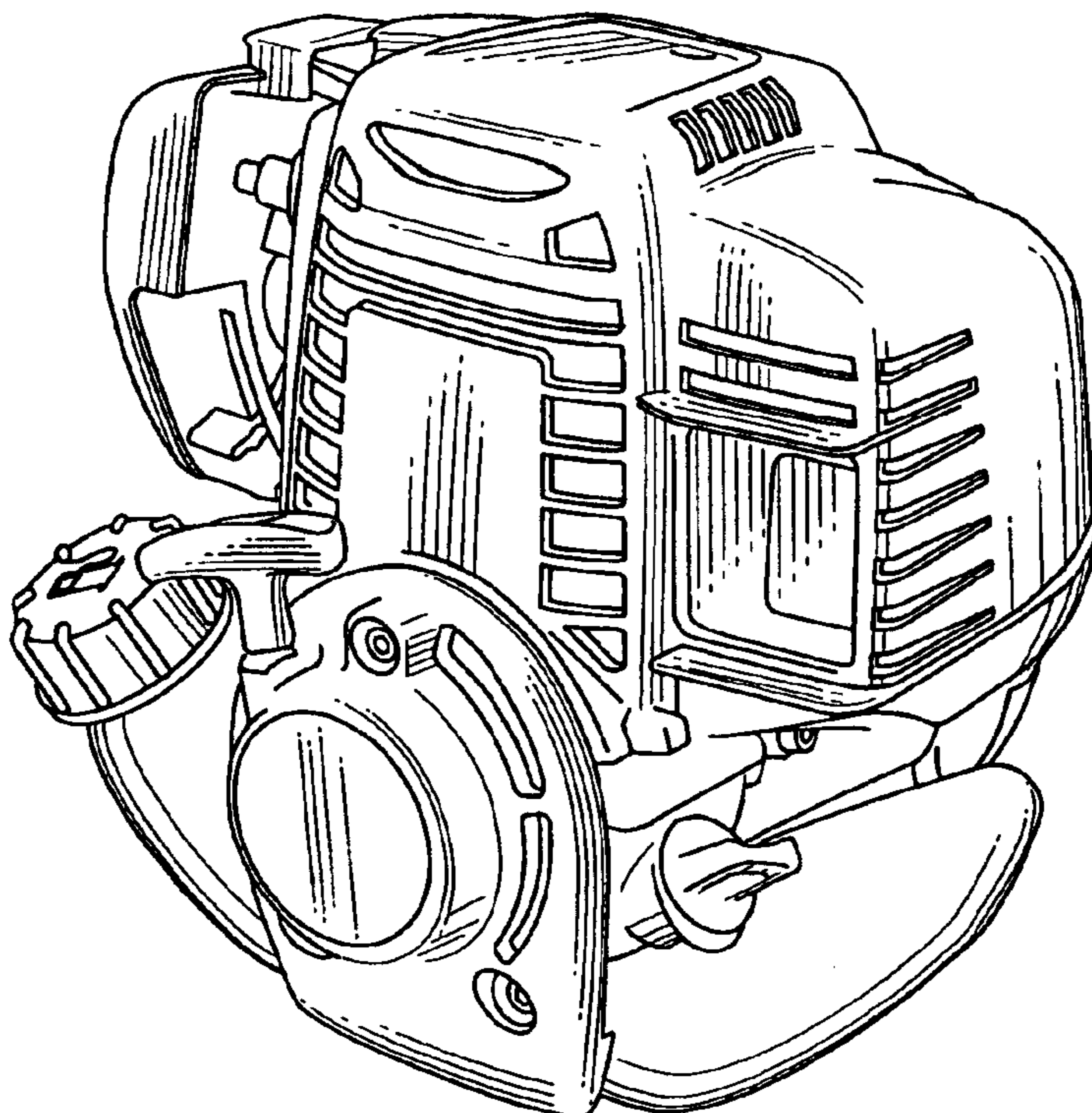


Fig. 1

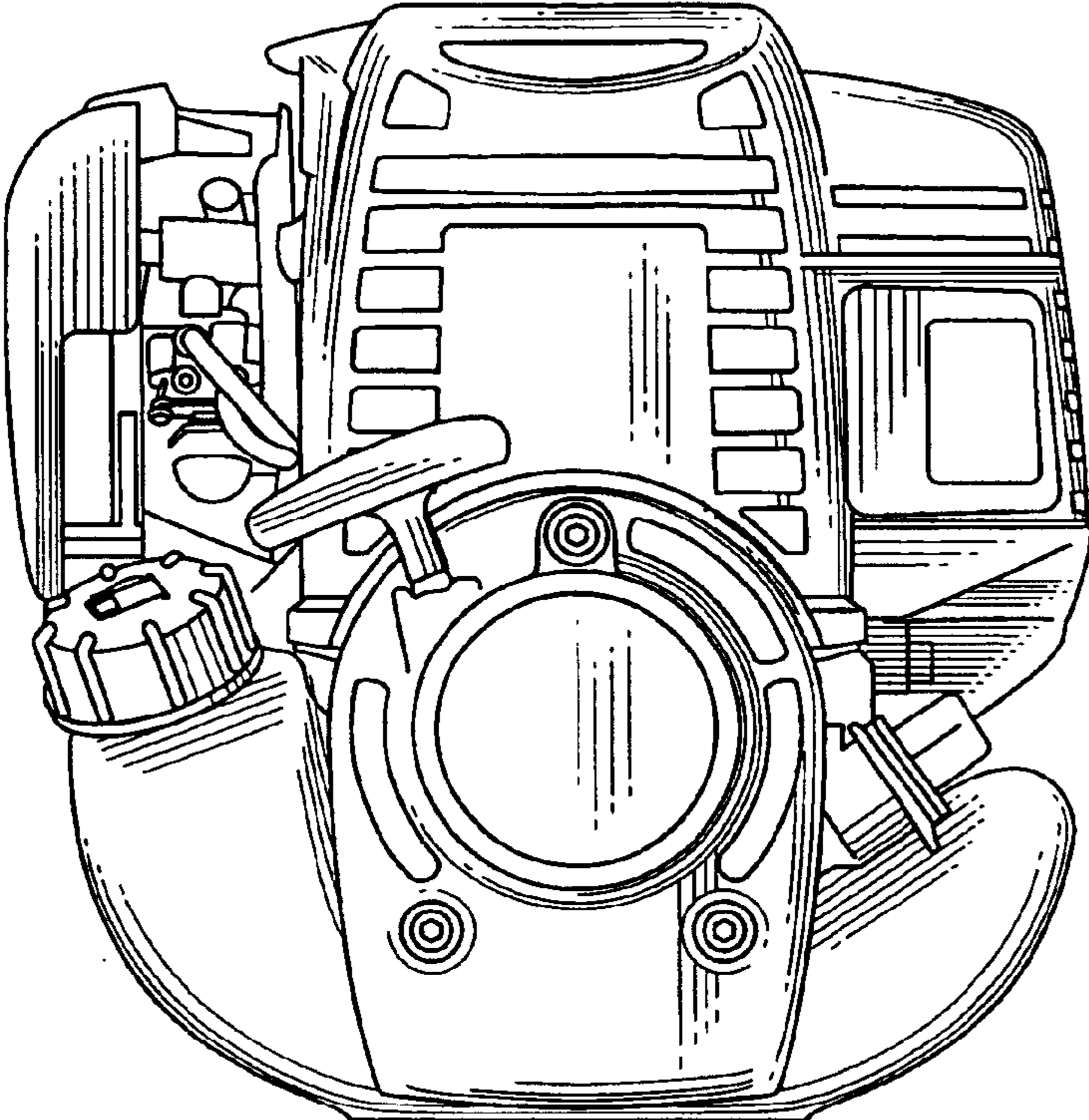


Fig. 2

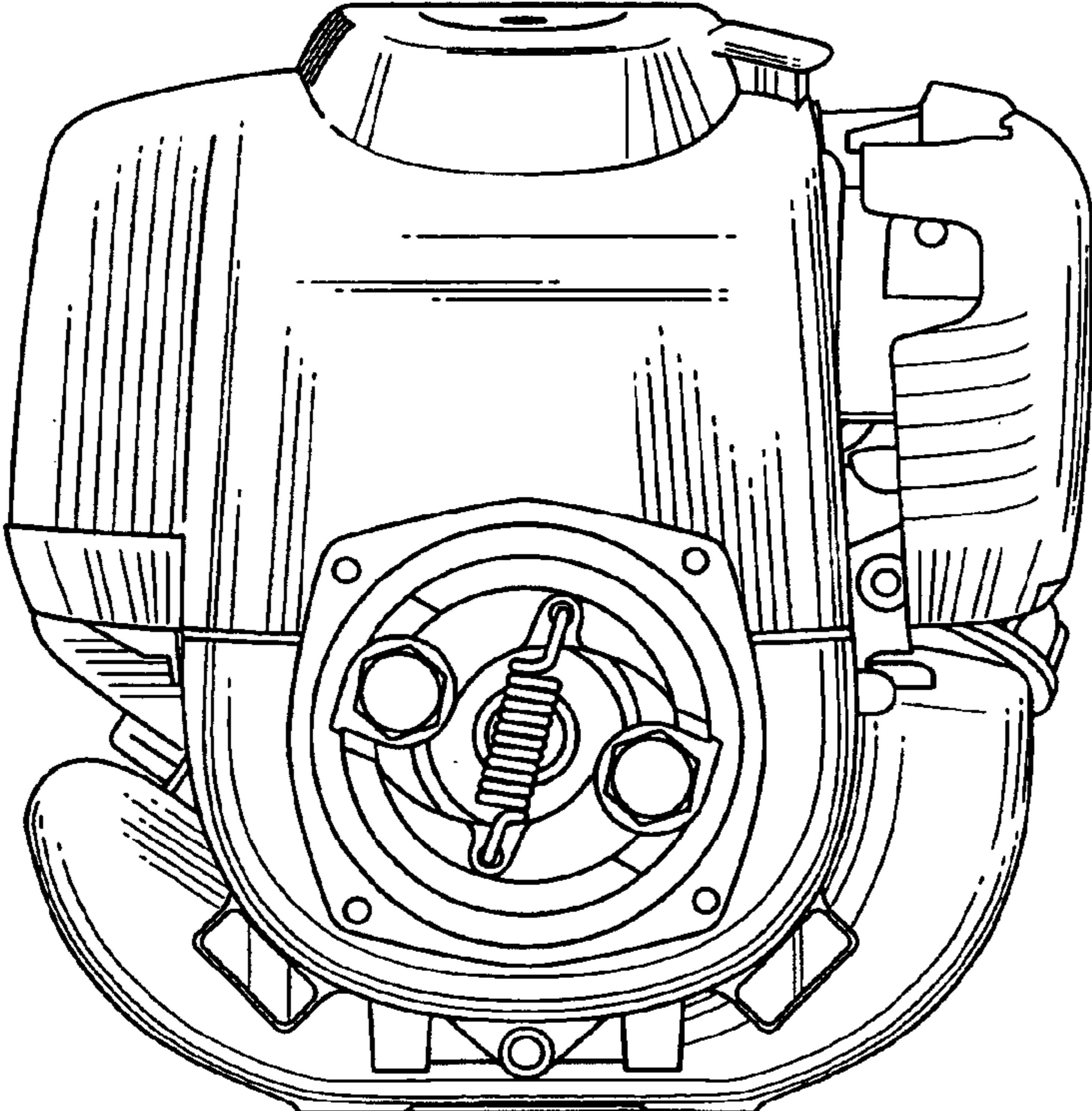


Fig.3

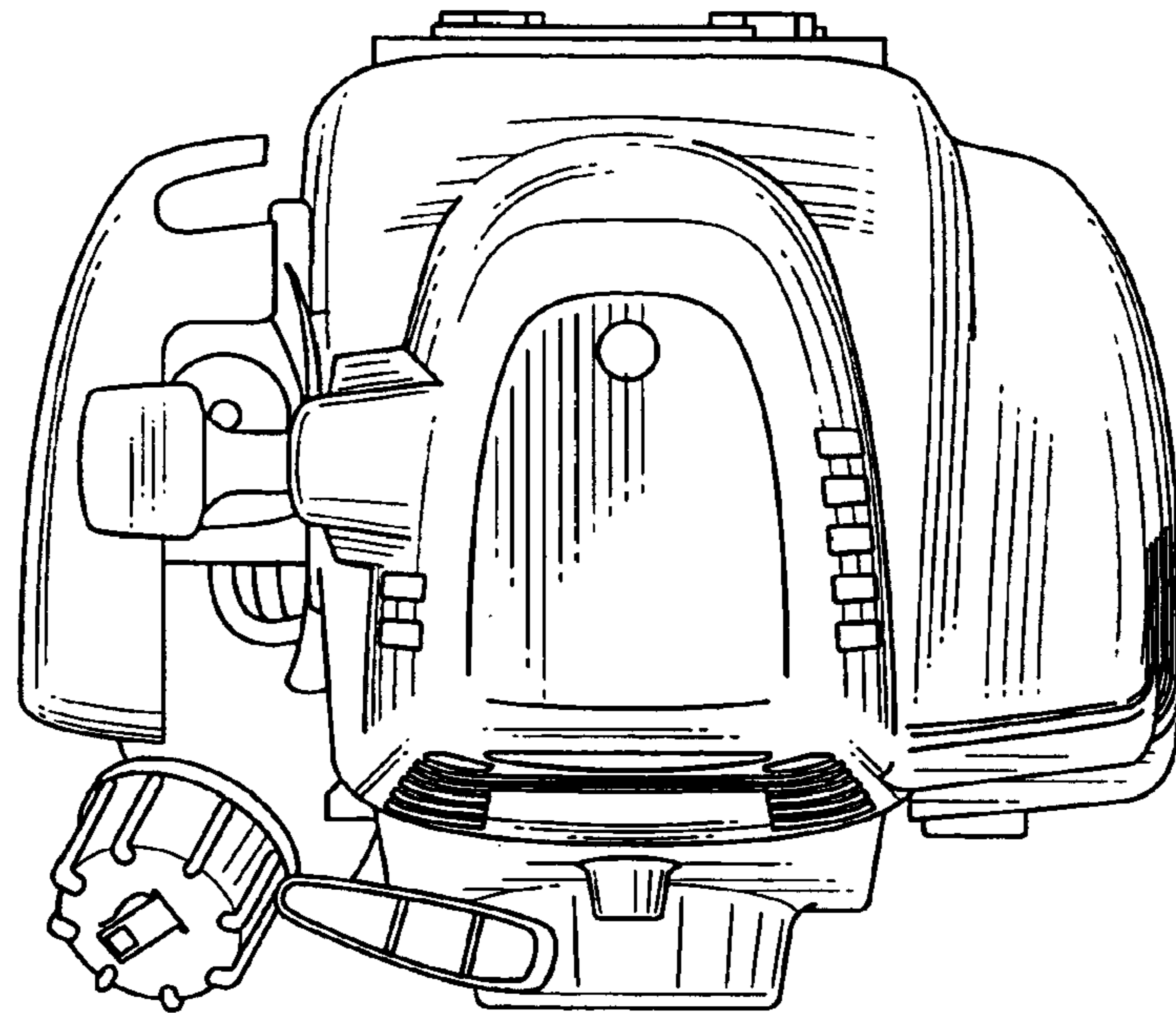


Fig.4

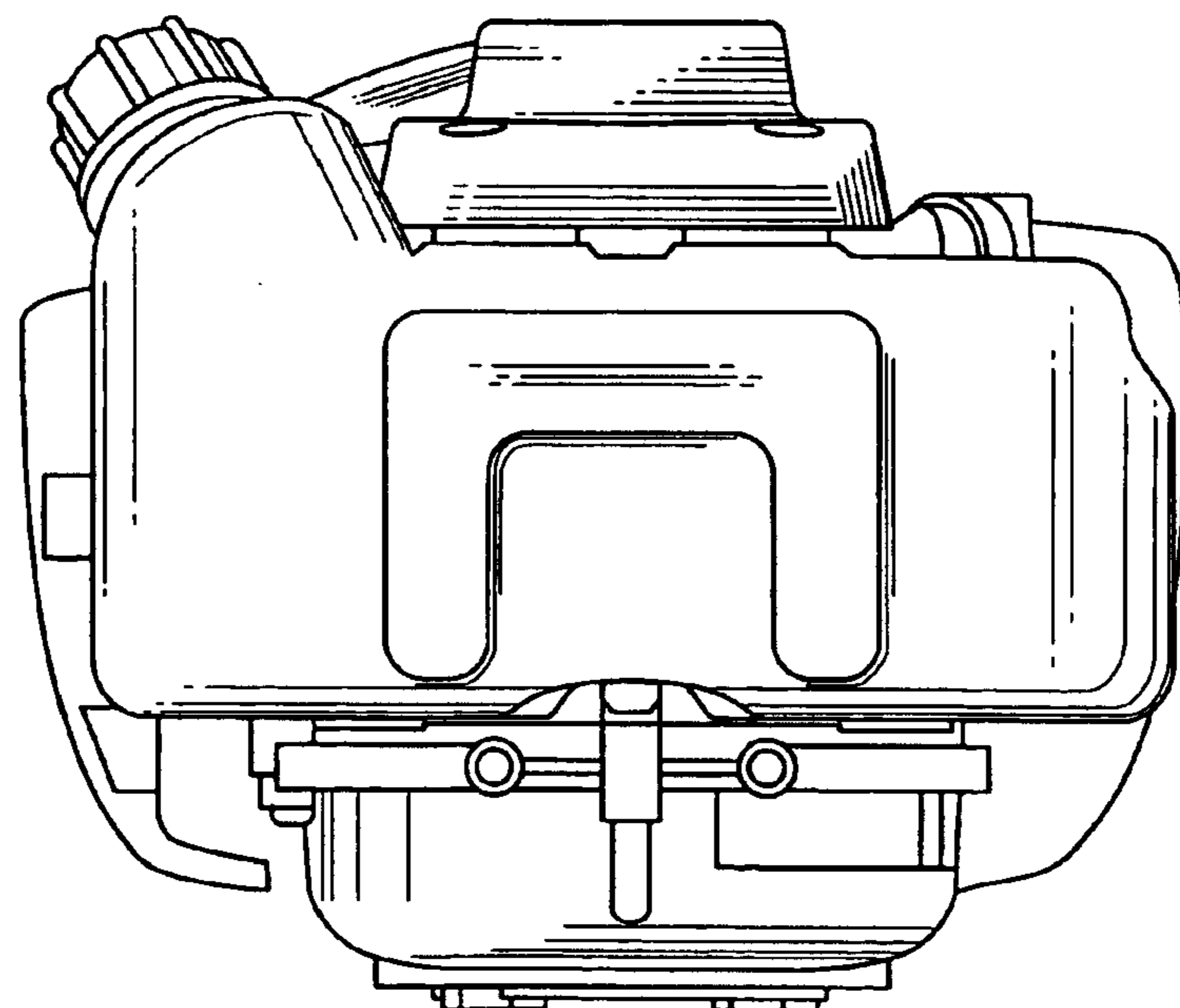


Fig.5

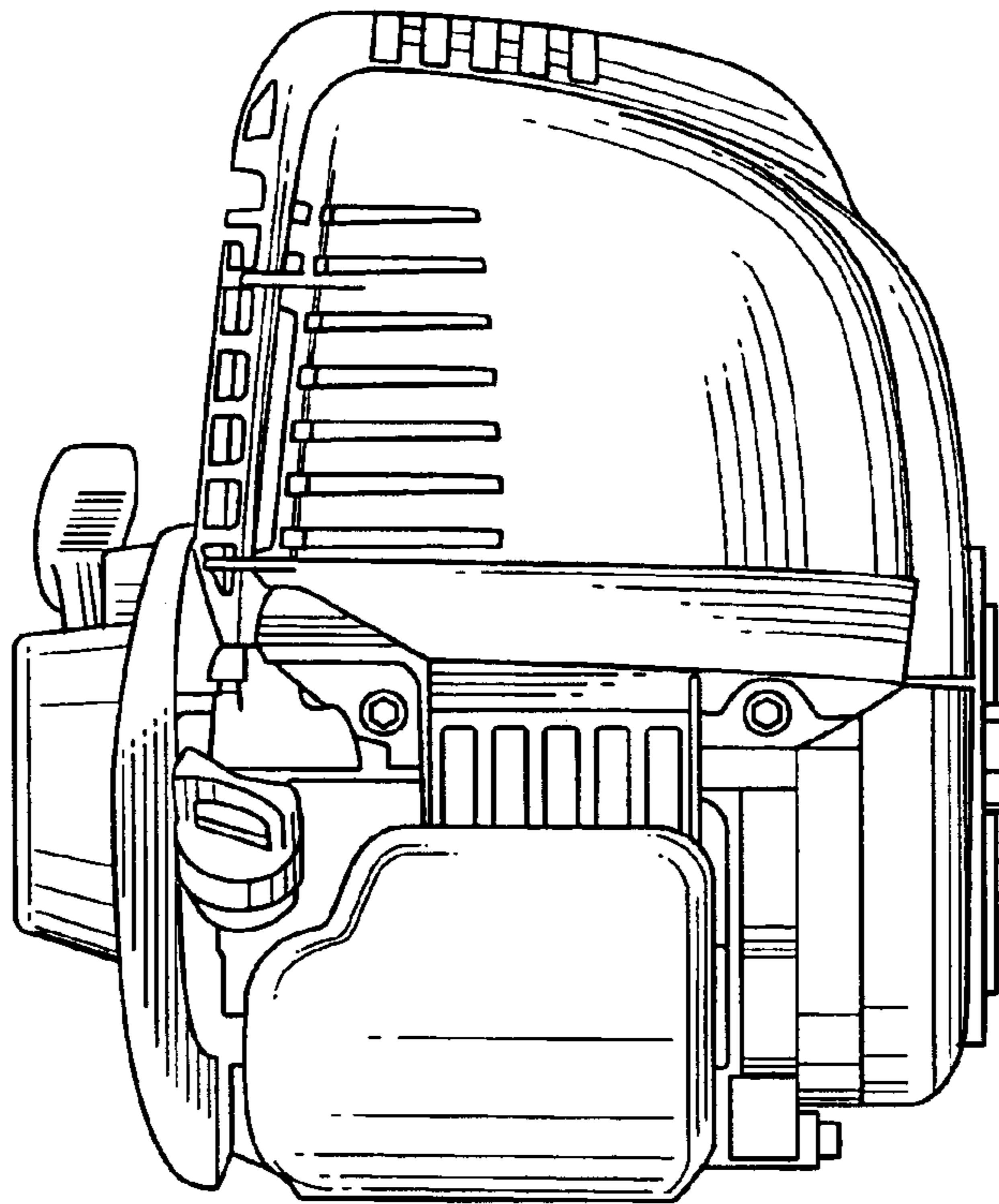


Fig.6

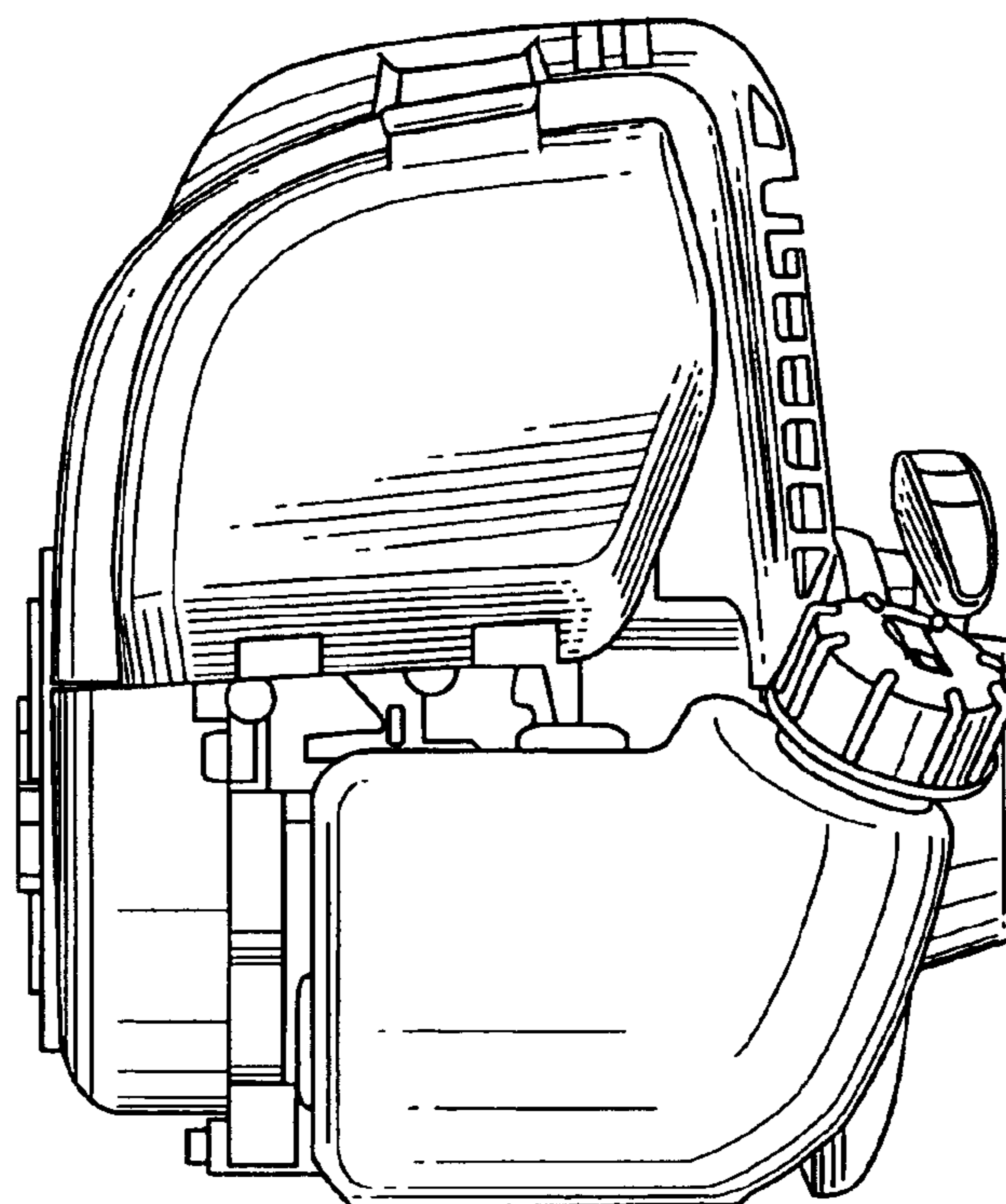


Fig.7

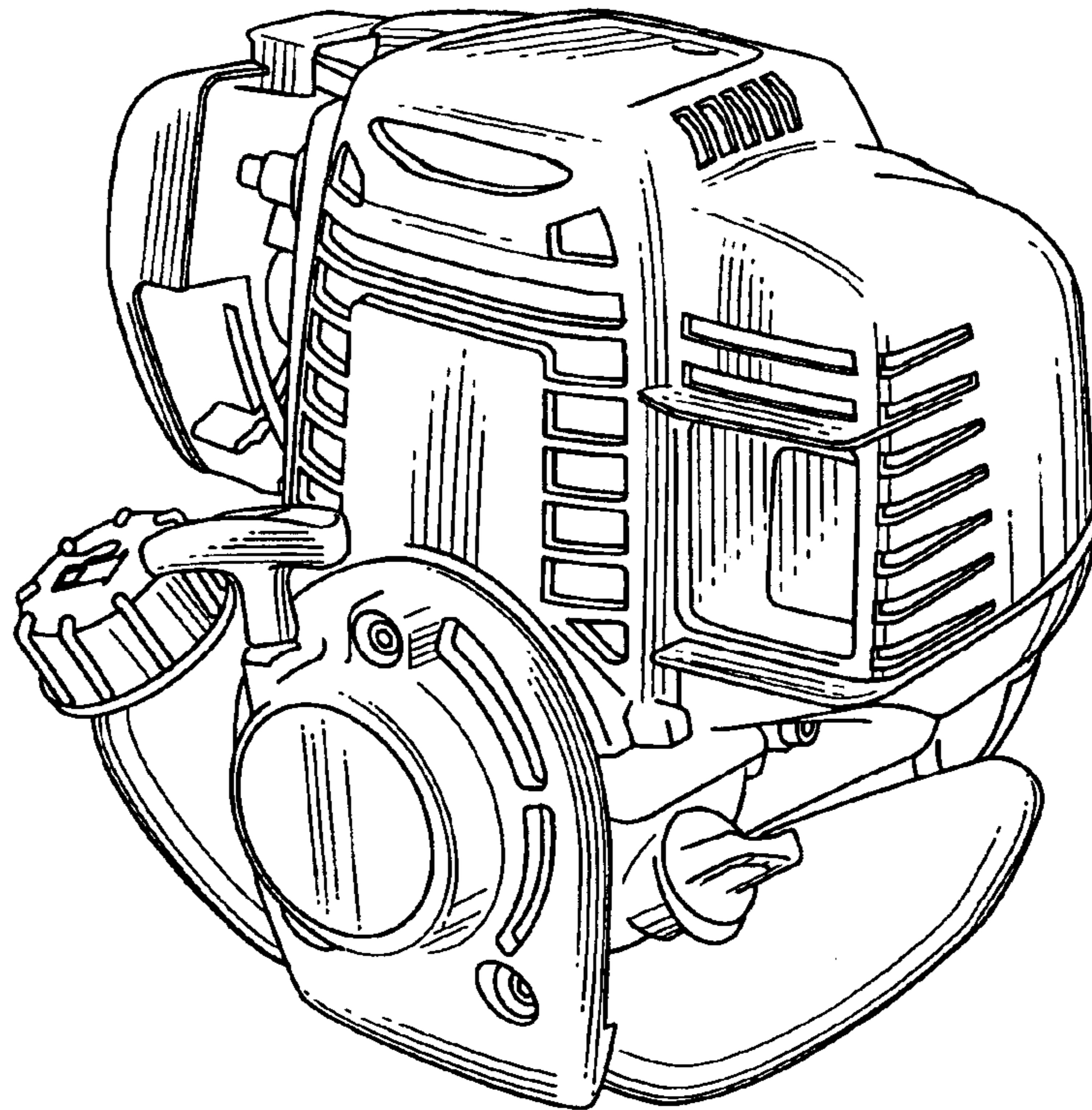


Fig.8

