



US00D503409S

(12) **United States Design Patent** (10) **Patent No.:** **US D503,409 S**  
**Wong et al.** (45) **Date of Patent:** **\*\* Mar. 29, 2005**

(54) **MEDIA PLAYER**

(75) Inventors: **Chiew Foon Celia Wong**, Singapore (SG); **Leonard Tan Bahroocha**, Singapore (SG)

(73) Assignee: **Creative Technology Ltd.**, Singapore (SG)

(\*\*) Term: **14 Years**

(21) Appl. No.: **29/200,658**

(22) Filed: **Mar. 2, 2004**

(51) **LOC (7) Cl.** ..... **14-03**

(52) **U.S. Cl.** ..... **D14/496**

(58) **Field of Search** ..... D14/440, 401, D14/496, 435, 474, 483, 217, 188, 156; D21/332, 333; 273/148 B; 463/43-47; 206/308.1, 307, 308.3; 369/2, 24, 25; 370/342-344

(56) **References Cited**

**U.S. PATENT DOCUMENTS**

5,964,661	A	*	10/1999	Dodge	.....	463/24
D432,523	S	*	10/2000	Grinkus et al.	.....	D14/217
D438,525	S		3/2001	Katayama		
6,254,477	B1	*	7/2001	Sasaki et al.	.....	463/1
D469,109	S	*	1/2003	Jobs et al.	.....	D14/496
D472,245	S	*	3/2003	Andre et al.	.....	D14/496
D492,323	S	*	6/2004	Wang	.....	D14/496
D496,944	S	*	10/2004	Huang	.....	D14/496
D497,618	S	*	10/2004	Andre et al.	.....	D14/496

**OTHER PUBLICATIONS**

Amazon.com web site featuring Compaq iPAQ PA-2 64 MB Digital Audio Player (MP3/WMA) for sale, date first available for sale on Amazon: Mar. 19, 2002, 2 pages.

Amazon.com web site featuring Now Evolution EV-64AMX Portable MP3 Music Player (Windows PC/Mac) for sale, date first available for sale on Amazon: Jul. 3, 2002, 2 pages.

Amazon.com web site featuring Panasonic SV-SD85 MP3/WMA Player for sale, date first available for sale on Amazon: Jul. 29, 2003, 3 pages.

Amazon.com web site featuring RCA Lyra 128 MB MP3 Player for sale, date first available for sale on Amazon: Jun. 1, 2003, 3 pages.

\* cited by examiner

*Primary Examiner*—Prabhakar Deshmukh

(74) *Attorney, Agent, or Firm*—P. Francois de Villiers

(57) **CLAIM**

The ornamental design for a media player, substantially as shown and described.

**DESCRIPTION**

FIG. 1 is a perspective view of an embodiment of a media player in accordance with the present design;

FIG. 2 is a rear view of the media player of FIG. 1;

FIG. 3 is a front view of the media player shown in FIG. 1;

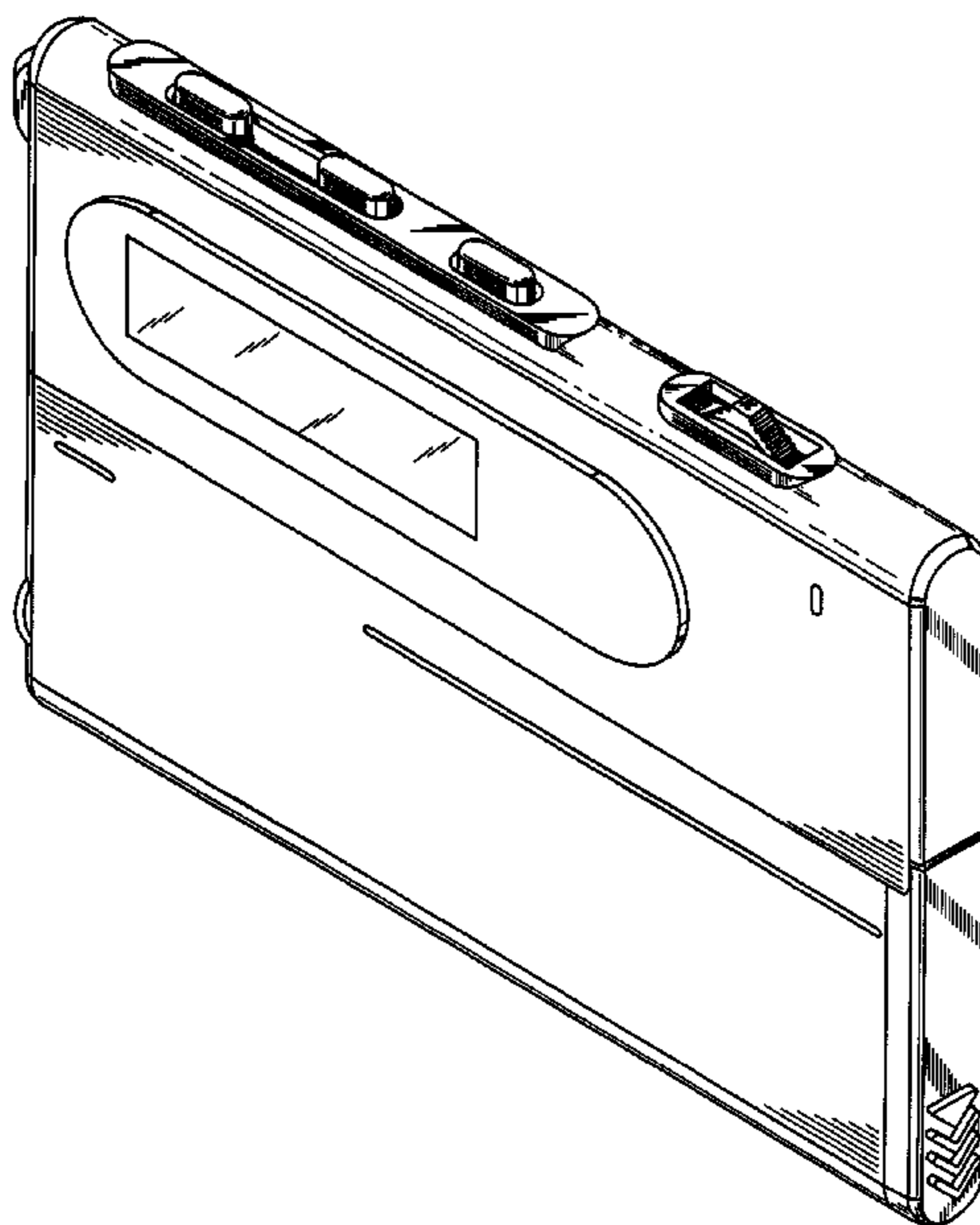
FIG. 4 is a left side view of the media player shown in FIG. 1;

FIG. 5 is a right side view of the media player shown in FIG. 1;

FIG. 6 is a top view of the media player shown in FIG. 4; and,

FIG. 7 is a bottom view of the media player shown in FIG. 1.

**1 Claim, 3 Drawing Sheets**



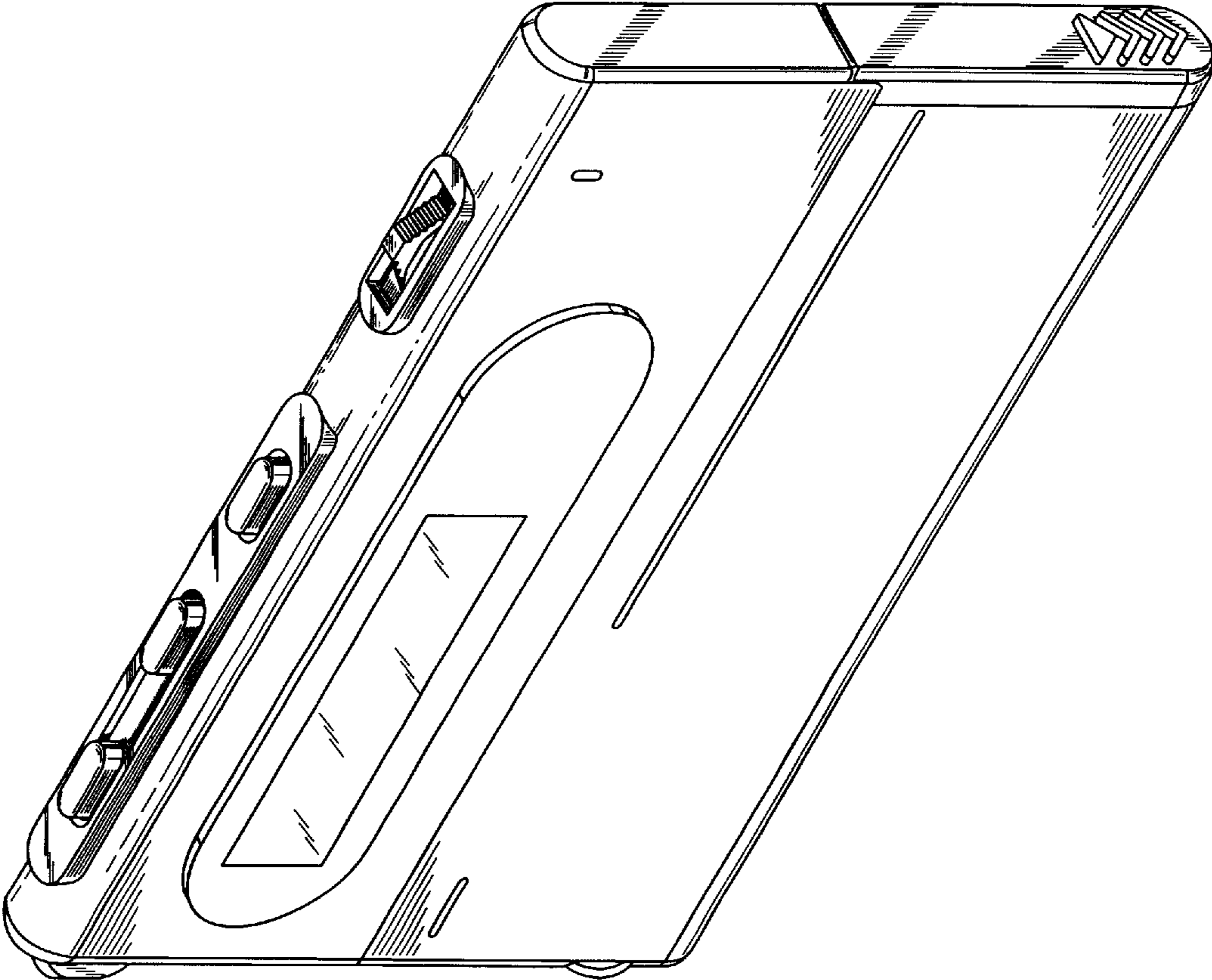


FIG. 1

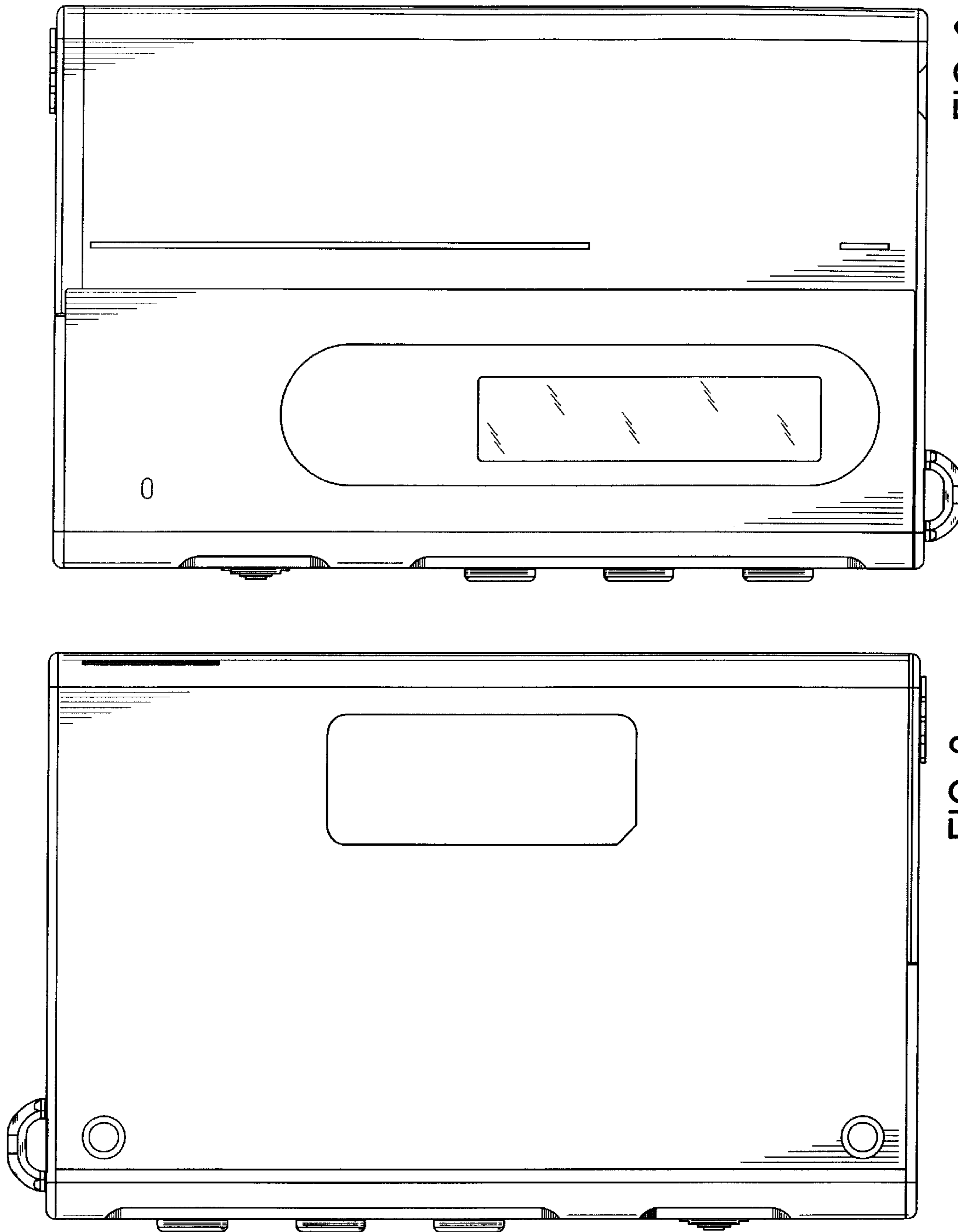


FIG. 3

FIG. 2

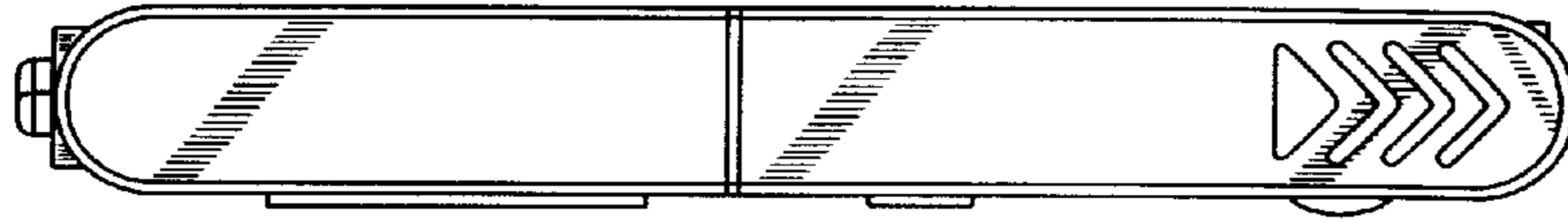


FIG. 4

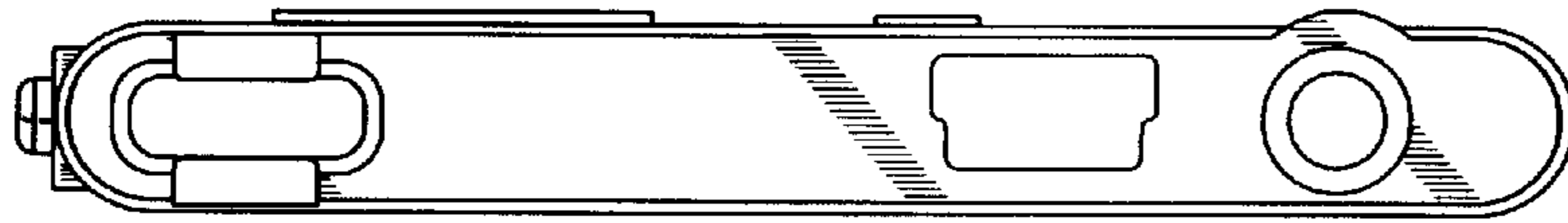


FIG. 5



FIG. 6

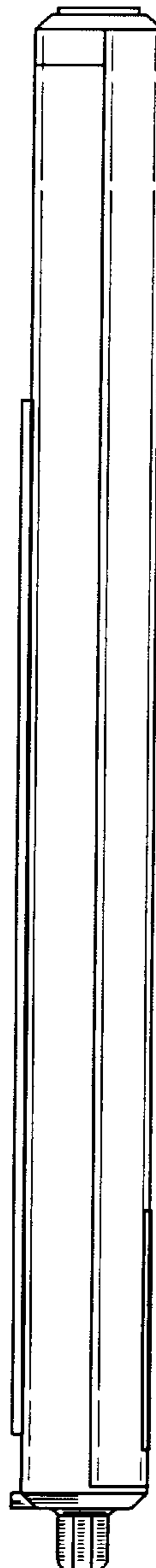


FIG. 7