

US00D503408S

(12) **United States Design Patent**  
**Lian et al.**

(10) **Patent No.: US D503,408 S**  
(45) **Date of Patent: \*\* Mar. 29, 2005**

(54) **MEDIA PLAYER**

(75) Inventors: **Yam Fei Lian**, Singapore (SG); **Fook Chve Yee**, Singapore (SG); **Chiew Foon Celia Wong**, Singapore (SG)

(73) Assignee: **Creative Technology Ltd.**, Singapore (SG)

(\*\*) Term: **14 Years**

(21) Appl. No.: **29/181,635**

(22) Filed: **May 14, 2003**

**Related U.S. Application Data**

(62) Division of application No. 10/100,351, filed on Mar. 18, 2002.

(51) **LOC (7) Cl.** ..... **14-03**

(52) **U.S. Cl.** ..... **D14/496**

(58) **Field of Search** ..... D14/496, 125, D14/137, 155, 160, 159, 168, 188, 474, 300, 433, 435; 700/94; 710/62, 63, 100; 365/189.05; 348/231.3, 231.4; 273/148 B; 463/40-47; 206/308.1, 308.3, 307; 369/2, 24, 25; 370/342-344

(56) **References Cited**

**U.S. PATENT DOCUMENTS**

- D217,157 S 4/1970 Tromby
- 4,769,764 A \* 9/1988 Levanon ..... 361/680
- D308,197 S 5/1990 Inoue
- D316,853 S 5/1991 Dickey
- D317,913 S 7/1991 Inoue
- D340,059 S \* 10/1993 Wetzel et al. .... D14/256
- 5,282,621 A \* 2/1994 Tseng ..... 463/45
- 5,301,334 A 4/1994 Horiuchi
- D348,874 S 7/1994 Pemberton
- 5,452,180 A \* 9/1995 Register et al. .... 361/686
- 5,497,464 A 3/1996 Yeh
- 5,556,108 A \* 9/1996 Nagano et al. .... 463/45
- 5,563,400 A \* 10/1996 Le Roux ..... 235/486
- 5,640,349 A 6/1997 Kakinuma et al.

- 5,663,901 A 9/1997 Wallace et al.
- D406,573 S 3/1999 Yao
- D411,524 S 6/1999 Kitagawa et al.
- 5,928,347 A 7/1999 Jones
- D414,204 S 9/1999 Reichmann
- 5,982,520 A 11/1999 Weiser et al.

(Continued)

**FOREIGN PATENT DOCUMENTS**

- CN 01218987.1 2/2002
- DE 19900331 7/1999

(Continued)

**OTHER PUBLICATIONS**

M-Systems Flash Disk Pioneers Ltd., "M-Systems Introduces Pocketable, Reliable and Simple-to-Use Personal Storage Device for PC and Mac Users," On-line News sys.com/content/news/prinfo.asp?id=170.

(Continued)

*Primary Examiner*—Prabhakar Deshmukh  
(74) *Attorney, Agent, or Firm*—P. Francois de Villiers

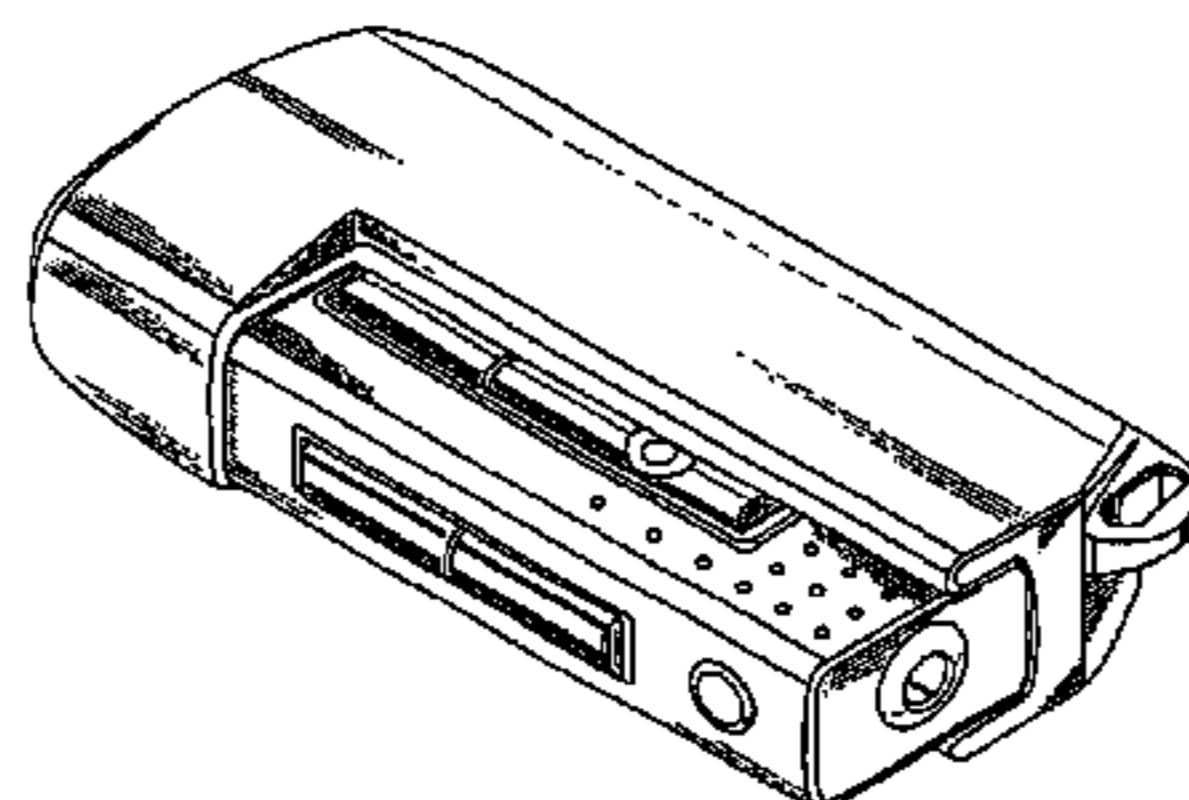
(57) **CLAIM**

The ornamental design for a media player, substantially as shown and described.

**DESCRIPTION**

FIG. 1 is a perspective view of a media player showing our new design, shown in an assembled configuration; FIG. 2 is a perspective view thereof, shown in disassembled configuration; FIG. 3 is affront elevational view thereof; FIG. 4 is a rear elevational view thereof; FIG. 5 is a right side elevational view thereof; FIG. 6 is a left side elevational view thereof; FIG. 7 is a top plan view thereof; and, FIG. 8 is a bottom plan view thereof. The broken lines in FIG. 2 are for illustrative purpose only and form no part of the claimed design.

**1 Claim, 4 Drawing Sheets**



# US D503,408 S

Page 2

## U.S. PATENT DOCUMENTS

6,012,103 A 1/2000 Sartore et al.  
6,075,723 A 6/2000 Naiki et al.  
D431,231 S 9/2000 Goto  
6,145,045 A 11/2000 Falik et al.  
D438,525 S 3/2001 Katayama  
6,238,291 B1 \* 5/2001 Fujimoto et al. .... 463/44  
D443,859 S 6/2001 Hogan  
6,252,791 B1 6/2001 Wallace et al.  
6,289,397 B1 9/2001 Tsuyuguchi et al.  
D449,615 S 10/2001 Lloyd  
D449,616 S 10/2001 Herath  
D449,617 S 10/2001 Herath  
D451,899 S 12/2001 Flagiello et al.  
D451,900 S 12/2001 Flagiello et al.  
D452,250 S 12/2001 Chan  
D454,130 S 3/2002 Do et al.  
6,353,870 B1 3/2002 Mills et al.  
6,361,369 B1 3/2002 Kondo et al.  
D461,476 S 8/2002 Evers et al.  
6,427,918 B1 8/2002 Endejan et al.  
D462,689 S 9/2002 Moran  
D463,426 S 9/2002 Cheng  
6,490,163 B1 12/2002 Pua et al.  
D468,312 S 1/2003 Huang et al.  
D469,109 S 1/2003 Andre et al.  
D470,499 S 2/2003 Salazar et al.  
D470,506 S \* 2/2003 Sadatsuki ..... D14/496  
D472,245 S \* 3/2003 Andre et al. .... D14/496  
6,671,567 B1 \* 12/2003 Dwyer et al. .... 700/94  
2001/0006884 A1 7/2001 Matsumoto  
2001/0009846 A1 7/2001 Loeuillet  
2001/0045985 A1 11/2001 Edwards et al.  
2002/0010827 A1 1/2002 Cheng  
2002/0029087 A1 3/2002 Mayne et al.  
2002/0077834 A1 6/2002 Estevez  
2002/0169912 A1 11/2002 Mills et al.  
2002/0174287 A1 11/2002 Cheng  
2002/0175665 A1 11/2002 O'Grady et al.  
2002/0189429 A1 12/2002 Qian et al.

2003/0024060 A1 2/2003 Weng  
2003/0063196 A1 4/2003 Palatov et al.

## FOREIGN PATENT DOCUMENTS

EP 0929043 A1 7/1999  
EP 1056015 A1 11/2000  
EP 1100000 A2 5/2001  
EP 1113355 A1 7/2001  
EP 1126378 A1 8/2001  
EP 0912939 B1 9/2001  
EP 1146428 A1 10/2001  
JP 11053503 12/1998  
JP 11176178 6/2000  
WO WO99/45460 9/1999  
WO WO 00/39798 7/2000  
WO WO 00/60476 10/2000  
WO WO 00/75924 A1 12/2000  
WO WO 01/23987 4/2001  
WO WO01/61692 A1 8/2001  
WO WO 01/61704 A1 8/2001  
WO WO 01/86640 A2 11/2001  
WO WO 01/97223 A2 12/2001  
WO WO 02/15111 A1 2/2002  
WO WO 02/41236 A2 5/2002  
WO WO 02/052569 A2 7/2002  
WO WO 02/063451 A2 8/2002  
WO WO 02/082273 10/2002

## OTHER PUBLICATIONS

Web page on "ThumbDrive™" and "ThumbDrive™ Secure", 2 pages, <http://www.thumbdrive.com/specification.htm> and <http://www.thumbdrive.com/specificationnew1.htm>, no date known.

Web page on "MagicGate™ Memory Stick", 2 pages, [63.224.30.26/memstrick/magicgate.html](http://63.224.30.26/memstrick/magicgate.html), no date known.

Web page on "PenDrive", 2 pages, <http://www.pendrive.com/spec.php>, no date known.

\* cited by examiner

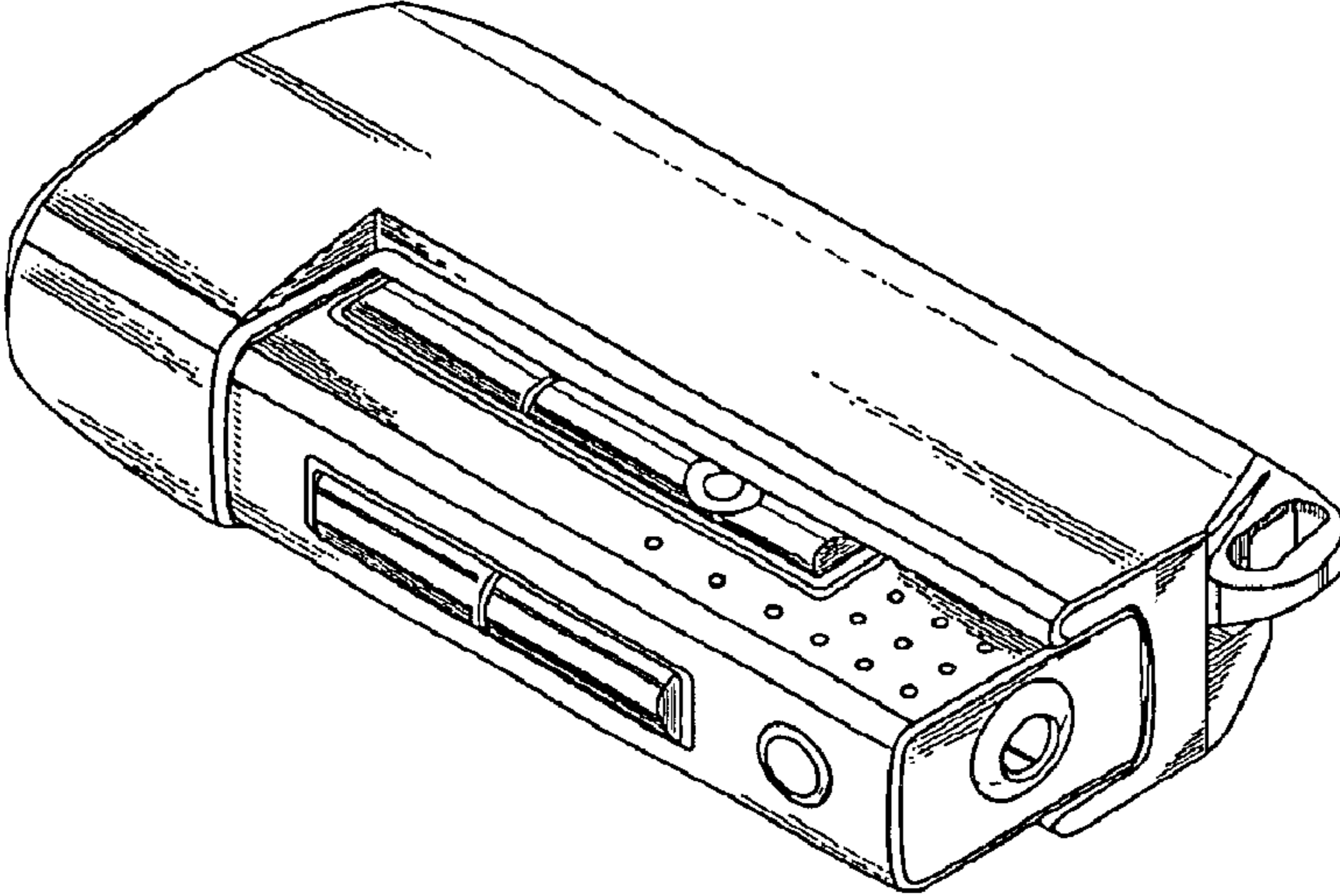


FIG. 1

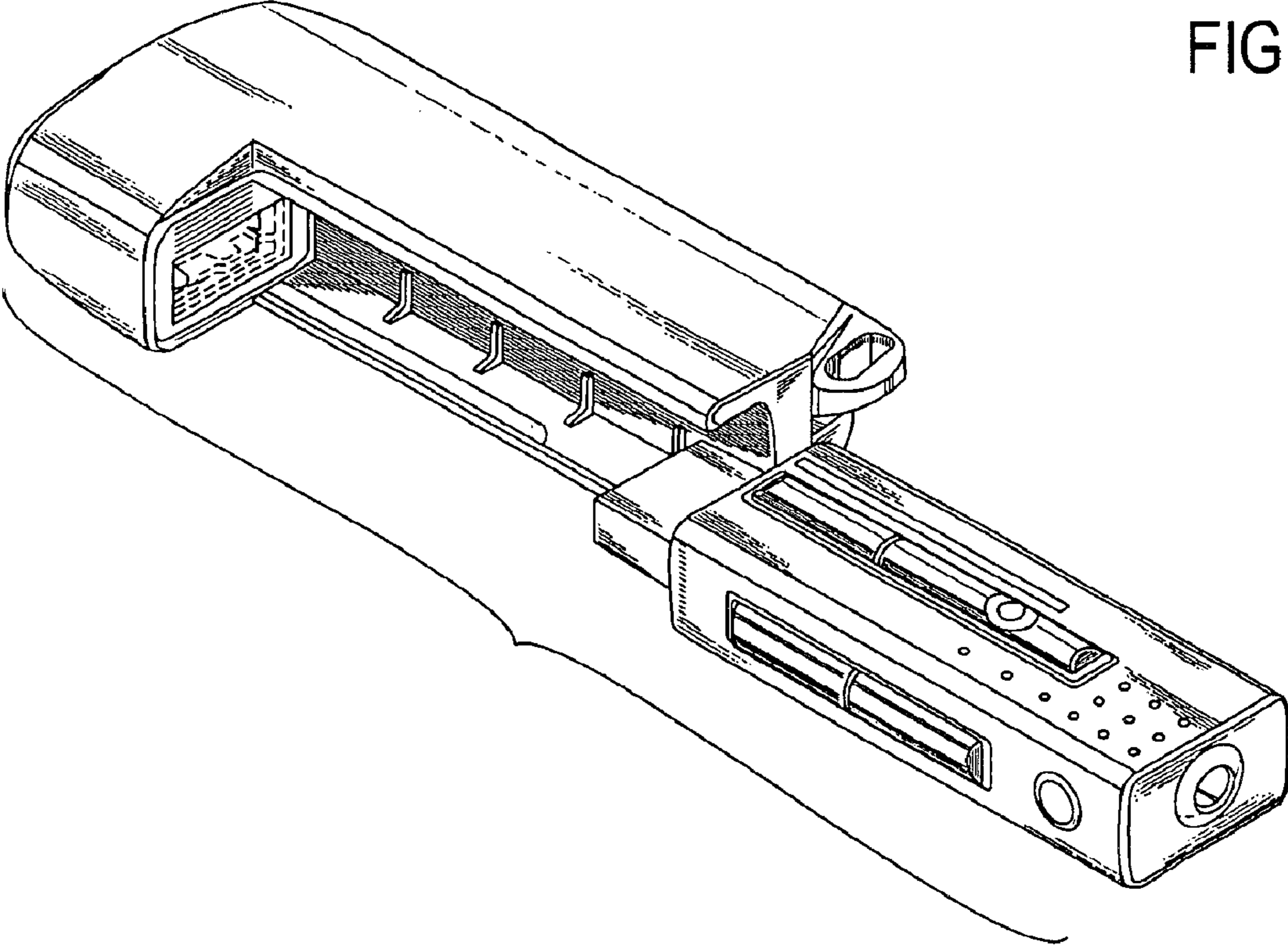


FIG. 2

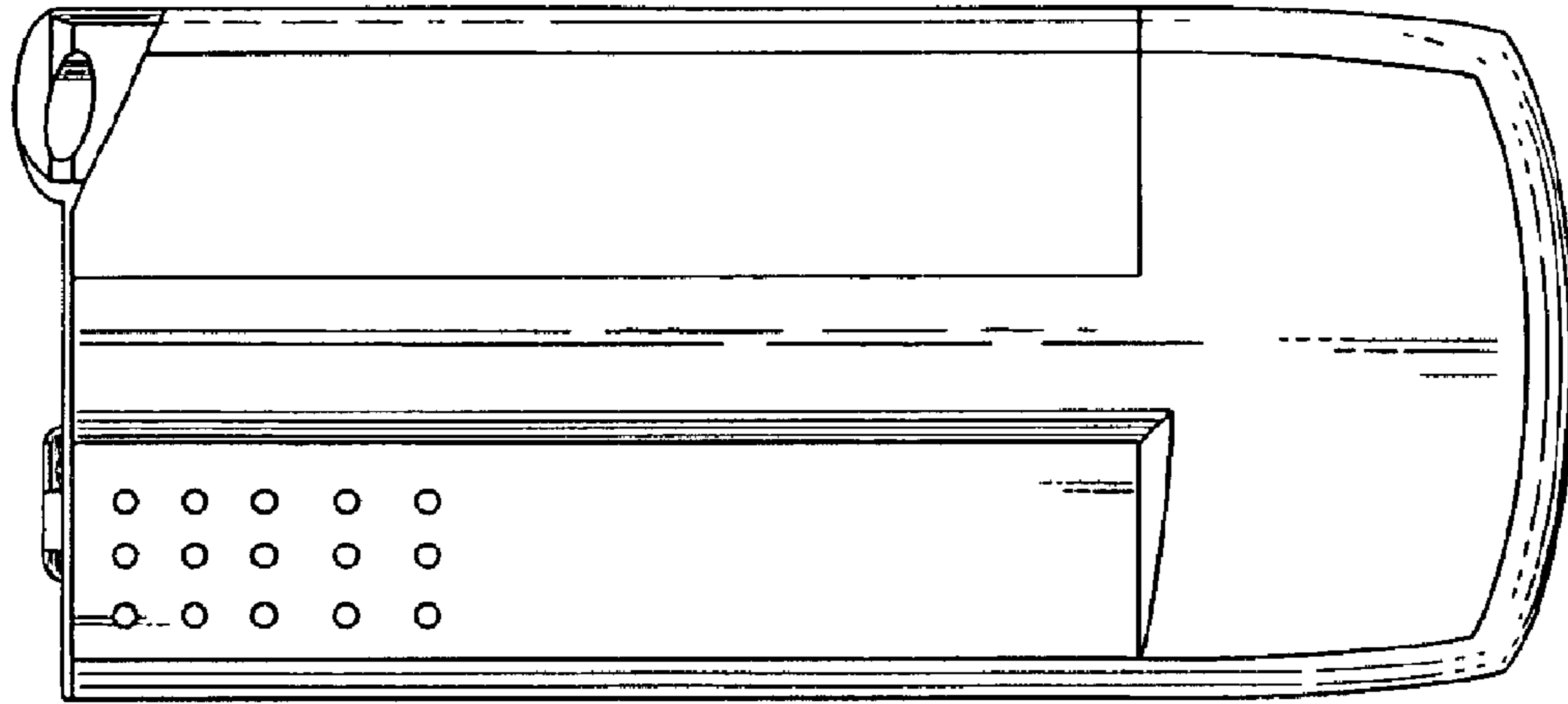


FIG. 4

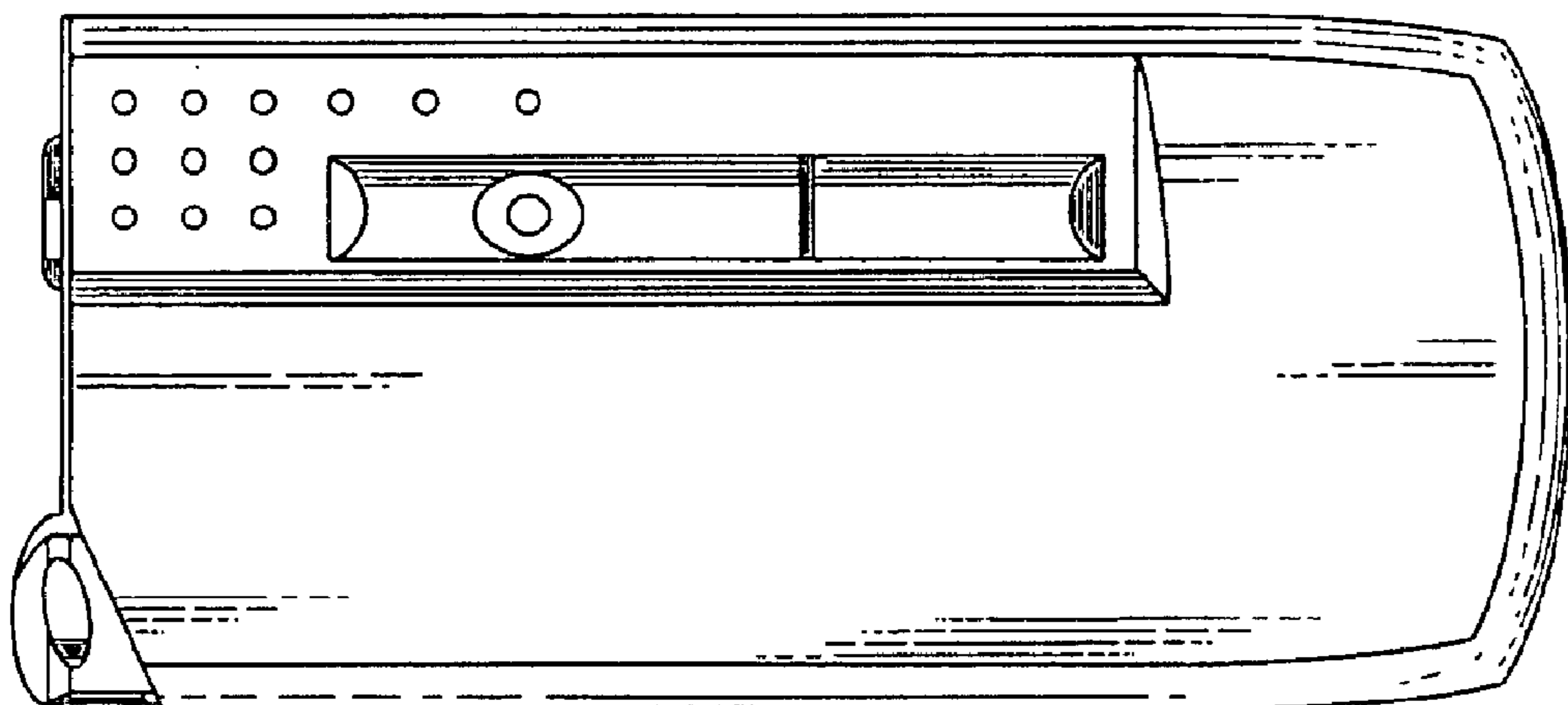


FIG. 3

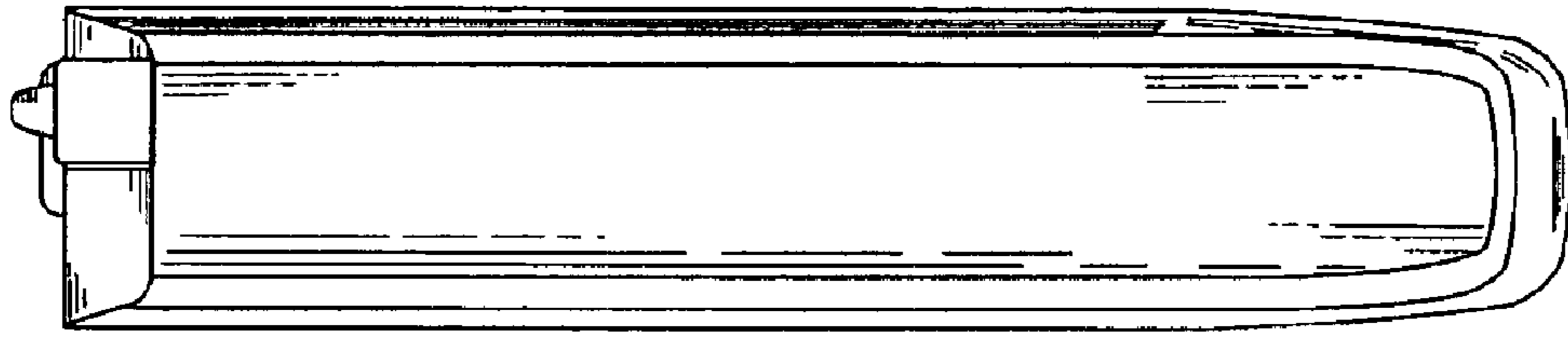


FIG. 6

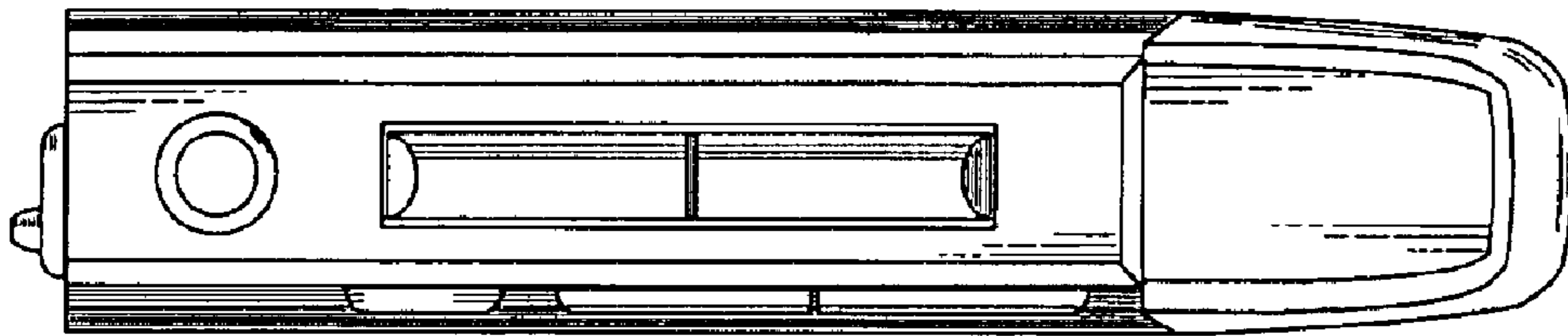


FIG. 5

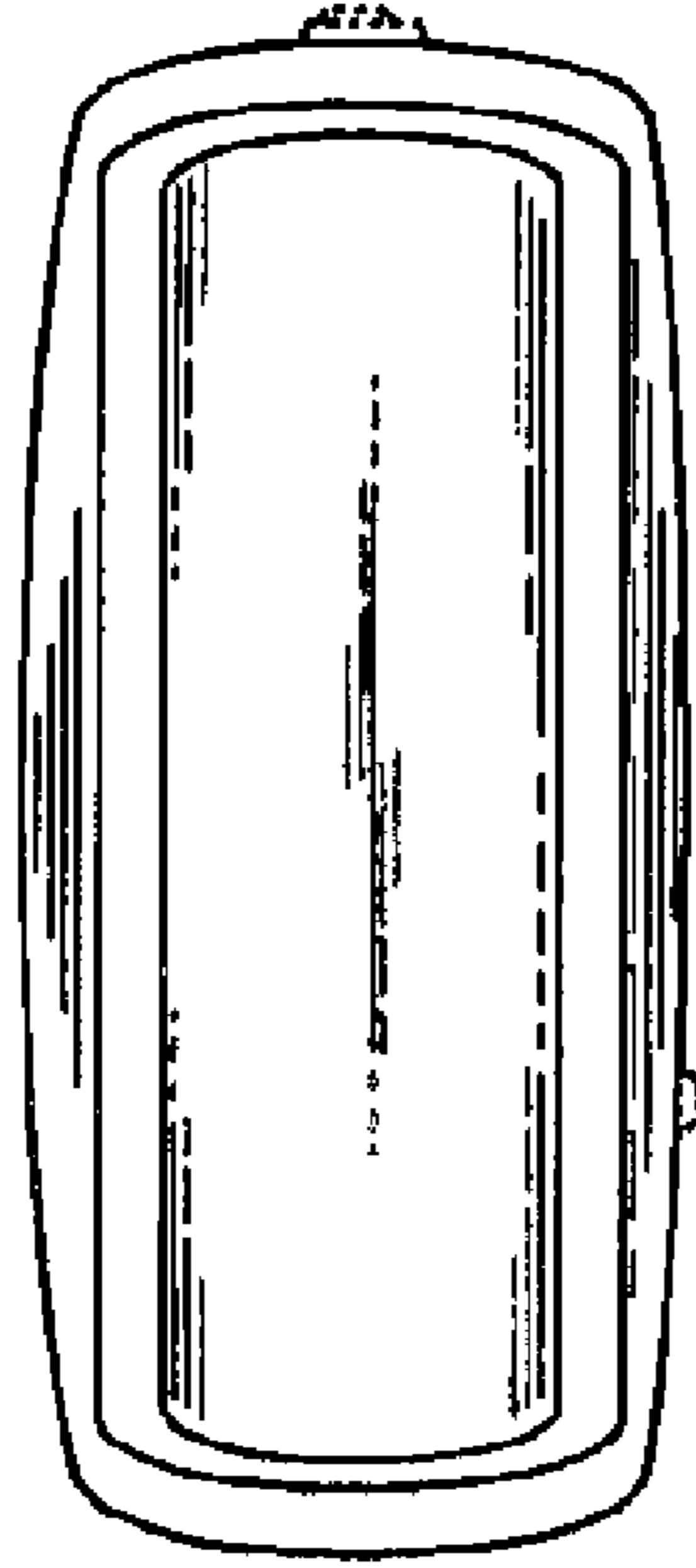


FIG. 7

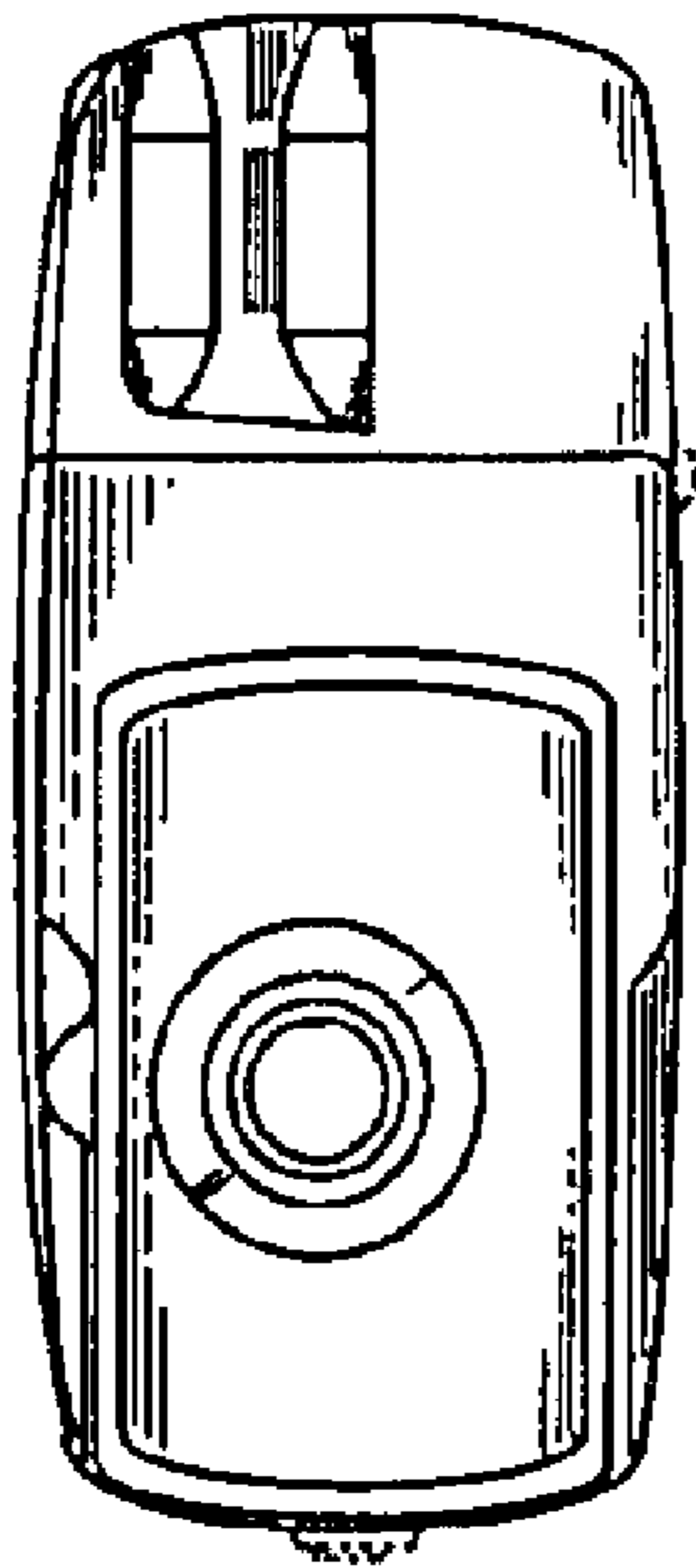


FIG. 8