

US00D503401S

(12) **United States Design Patent** (10) **Patent No.:** **US D503,401 S**  
**Quilling, II** (45) **Date of Patent:** **\*\* Mar. 29, 2005**

(54) **ISO/DIN SUV STEREO MOUNTING DEVICE WITH TRIM PLATES**

(75) Inventor: **R. Spencer Quilling, II**, Deland, FL (US)

(73) Assignee: **Metra Electronics Corporation**, Holly Hill, FL (US)

(\*\*) Term: **14 Years**

(21) Appl. No.: **29/201,505**

(22) Filed: **Mar. 17, 2004**

(51) **LOC (7) Cl.** ..... **14-01**

(52) **U.S. Cl.** ..... **D14/258; D14/224**

(58) **Field of Search** ..... D14/204, 217, D14/224, 229, 258; D12/223; 248/27.1, 27.3, 220.2, 221.3, 221.4, 558; 403/4; 455/345; 361/685

(56) **References Cited**

**U.S. PATENT DOCUMENTS**

5,106,039 A	4/1992	Gross	
D356,566 S	* 3/1995	Ohta	..... D14/157
5,467,947 A	11/1995	Quilling, II	
D401,591 S	11/1998	Jones, Jr.	
D418,838 S	1/2000	Jones, Jr.	
D481,378 S	10/2003	Quilling, II et al.	
D481,707 S	11/2003	Quilling, II et al.	
D482,023 S	11/2003	Quilling, II et al.	
D482,024 S	11/2003	Quilling, II et al.	
D483,027 S	12/2003	Quilling, II et al.	
D484,495 S	12/2003	Quilling, II et al.	
D485,260 S	1/2004	Quilling, II et al.	
D488,462 S	* 4/2004	Quilling et al.	..... D14/224
D492,287 S	* 6/2004	Quilling, II	..... D14/224
D492,288 S	* 6/2004	Quilling, II	..... D14/224
D492,668 S	* 7/2004	Quilling, II	..... D14/224
D496,028 S	* 9/2004	Quilling, II	..... D14/224
D496,354 S	* 9/2004	Quilling, II	..... D14/224

**OTHER PUBLICATIONS**

Metra 2001 Autosound Installation Products Catalog, pp. Cover, 1–62, Published May 2001.

Metra 2002 Autosound Installation Products Catalog, Cover, pp. 6–64, Published Oct. 2002.

U.S. Appl. No. 29/201,506, filed Mar. 17, 2004, Quilling.

U.S. Appl. No. 29/201,504, filed Mar. 17, 2004, Quilling.

U.S. Appl. No. 29/201,507, filed Mar. 17, 2004, Quilling.

U.S. Appl. No. 29/188,825, filed Aug. 26, 2003, Quilling.

U.S. Appl. No. 29/188,824, filed Aug. 26, 2003, Quilling.

U.S. Appl. No. 29/188,820, filed Aug. 26, 2003, Quilling.

U.S. Appl. No. 29/188,821, filed Aug. 26, 2003, Quilling.

U.S. Appl. No. 29/188,823, filed Aug. 26, 2003, Quilling.

U.S. Appl. No. 29/188,822, filed Aug. 26, 2003, Quilling.

\* cited by examiner

*Primary Examiner*—Paula A. Greene

(74) *Attorney, Agent, or Firm*—Fitzpatrick, Cella, Harper & Scinto

(57) **CLAIM**

I claim the ornamental design for an ISO/DIN SUV stereo mounting device with trim plates, as shown and described.

**DESCRIPTION**

FIG. 1 is a right front perspective view of an ISO/DIN SUV stereo mounting device with trim plates showing my new design;

FIG. 2 is a top plan view of FIG. 1;

FIG. 3 is a bottom plan view of FIG. 1;

FIG. 4A is a right side elevation view of FIG. 1;

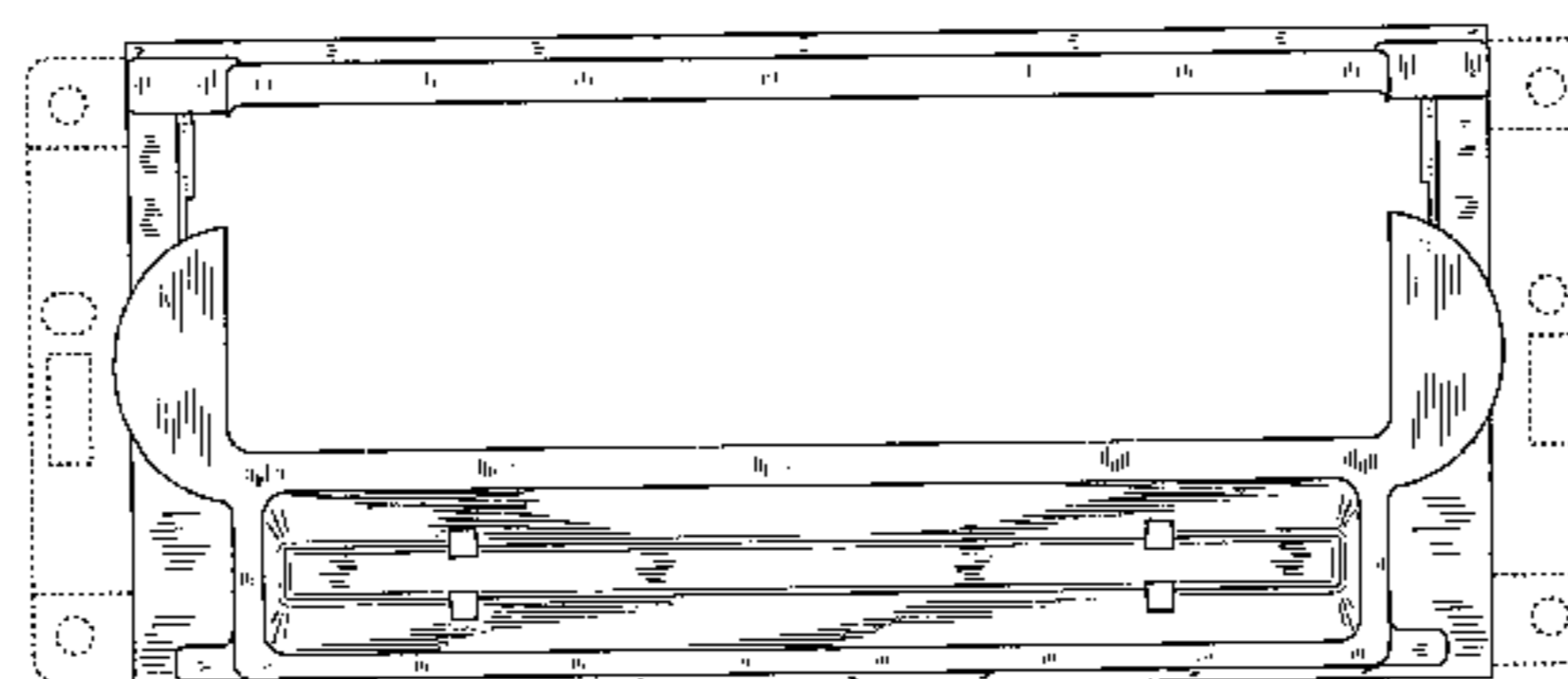
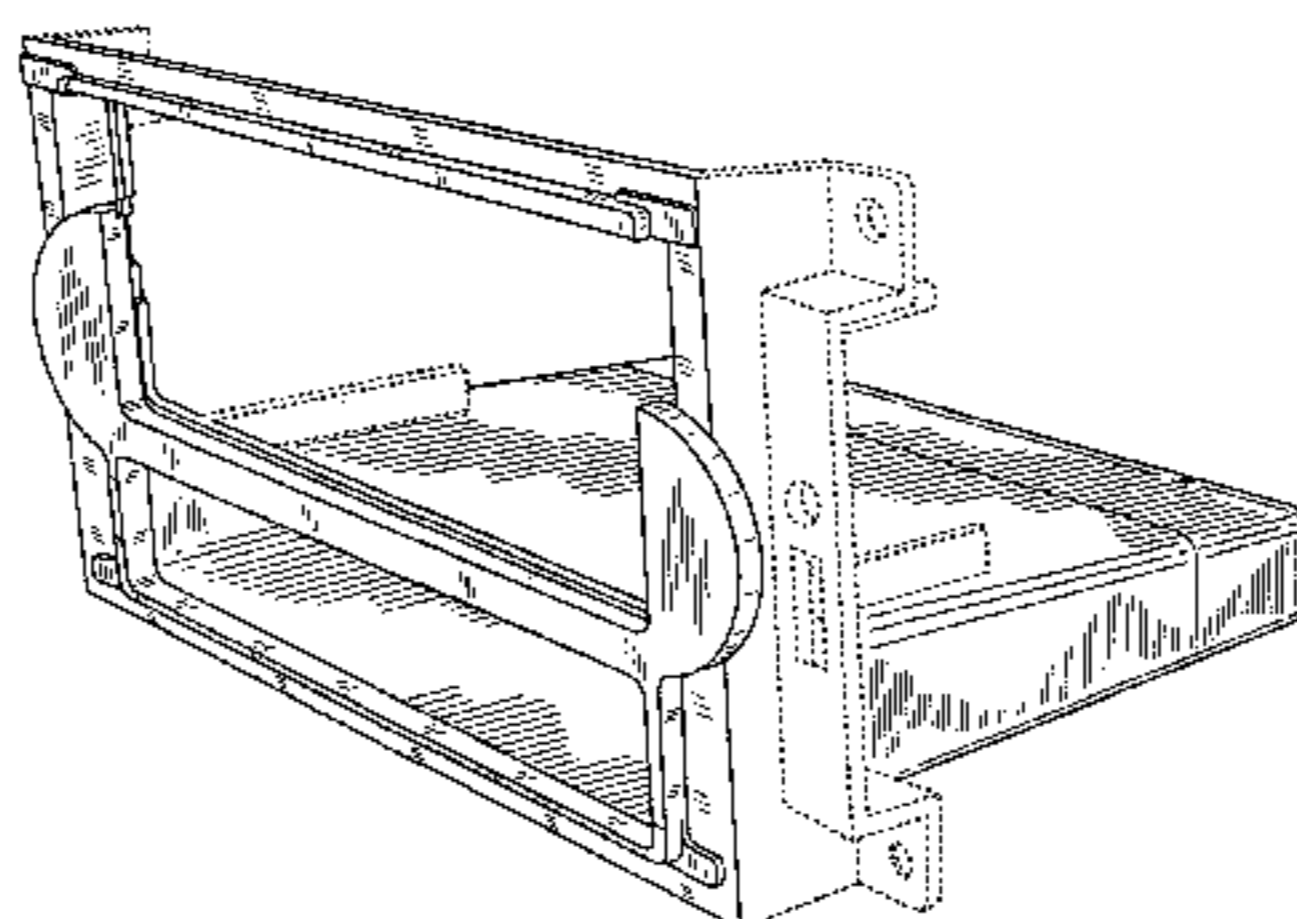
FIG. 4B is a right side elevation in cross-section, along line 4B—4B of FIG. 2, to better illustrate certain features of the disclosed design;

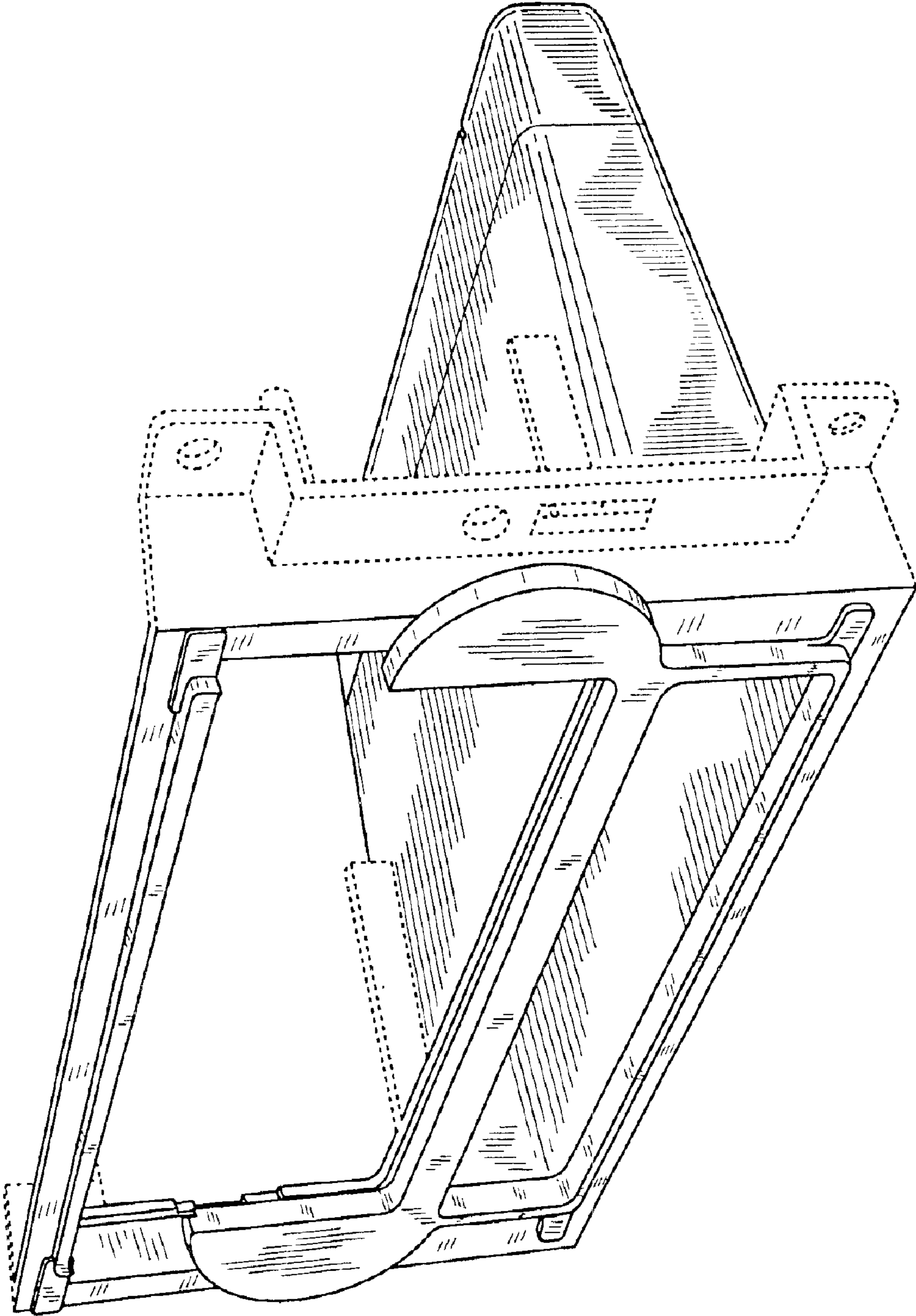
FIG. 5 is a front elevation view of FIG. 1; and,

FIG. 6 is a rear elevation view of FIG. 1.

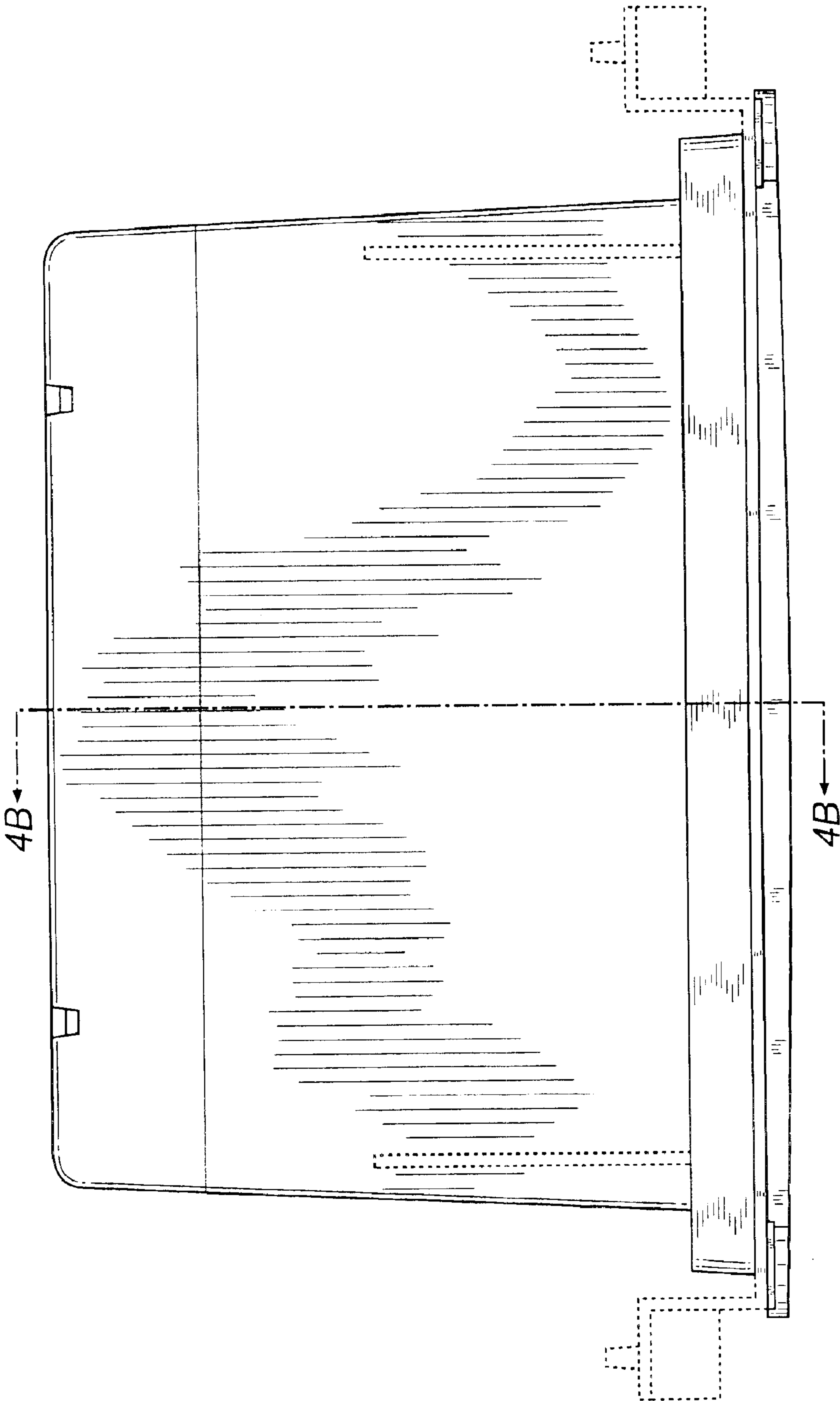
The appearance of my design for an ISO/DIN SUV stereo mounting device with trim plates, characterized by thin plates around an ISO/DIN SUV stereo head unit, and a pocket. The mounting structure shown in dotted line forms no part of the claimed design.

**1 Claim, 7 Drawing Sheets**

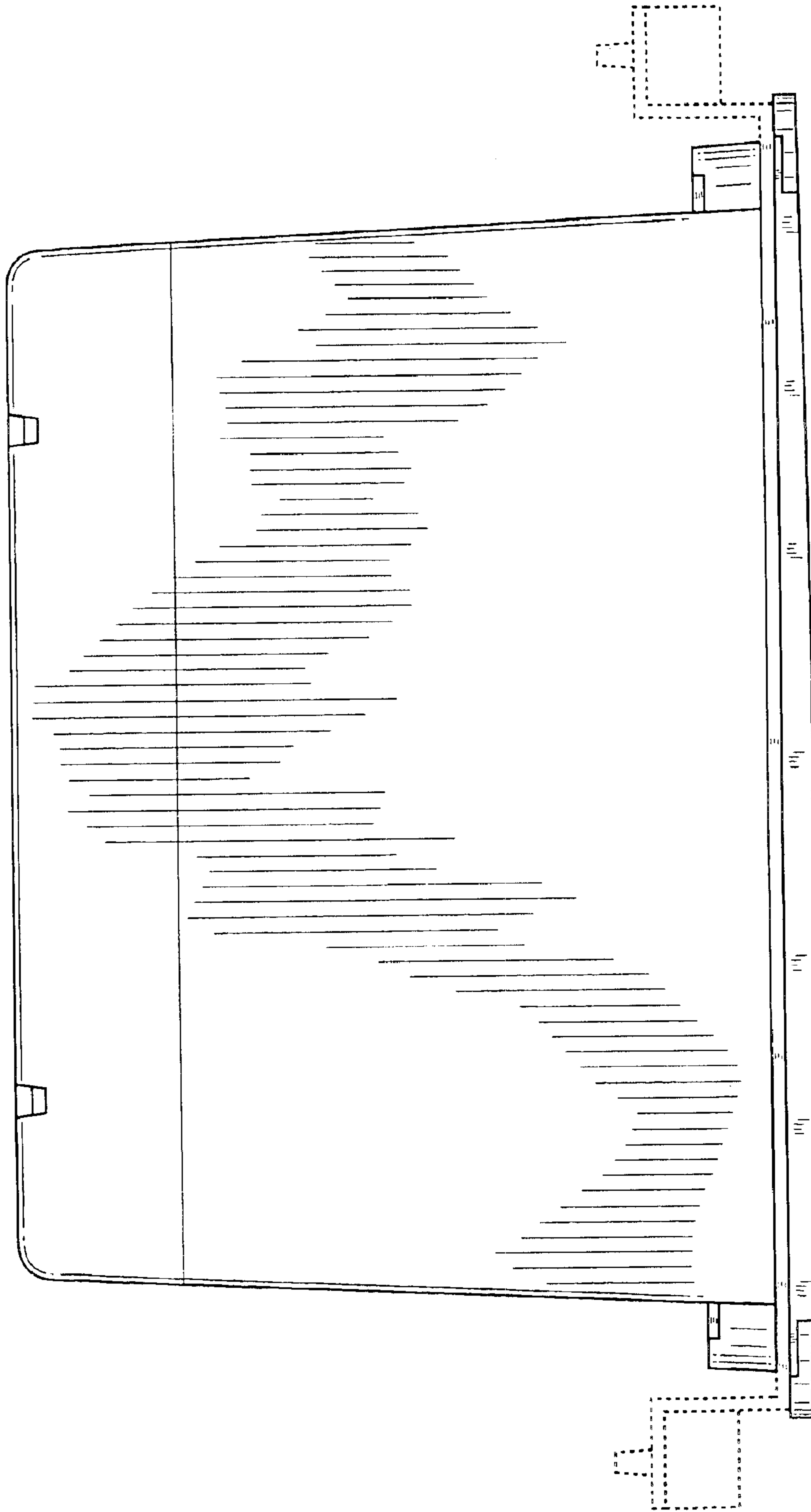




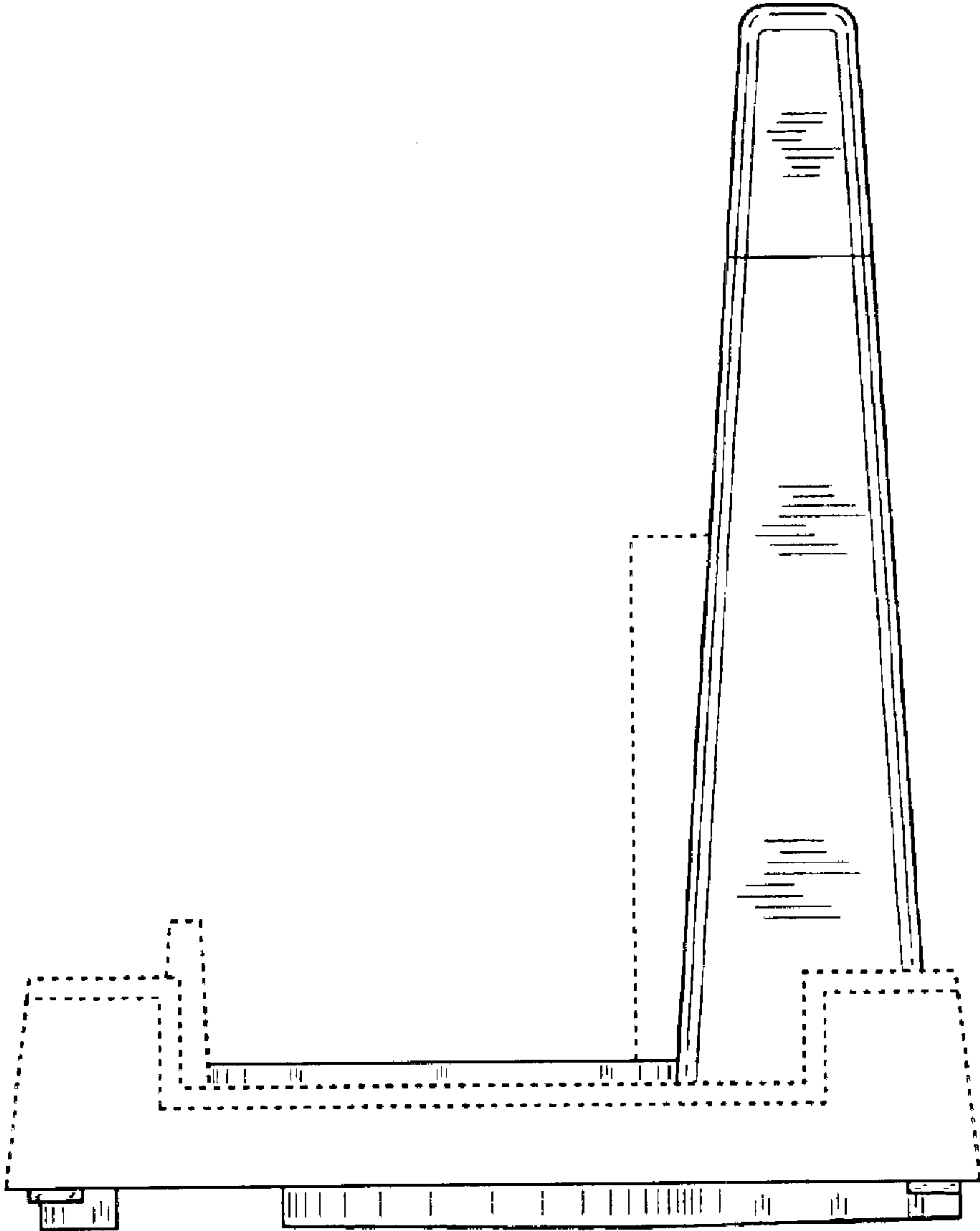
**FIG. 1**



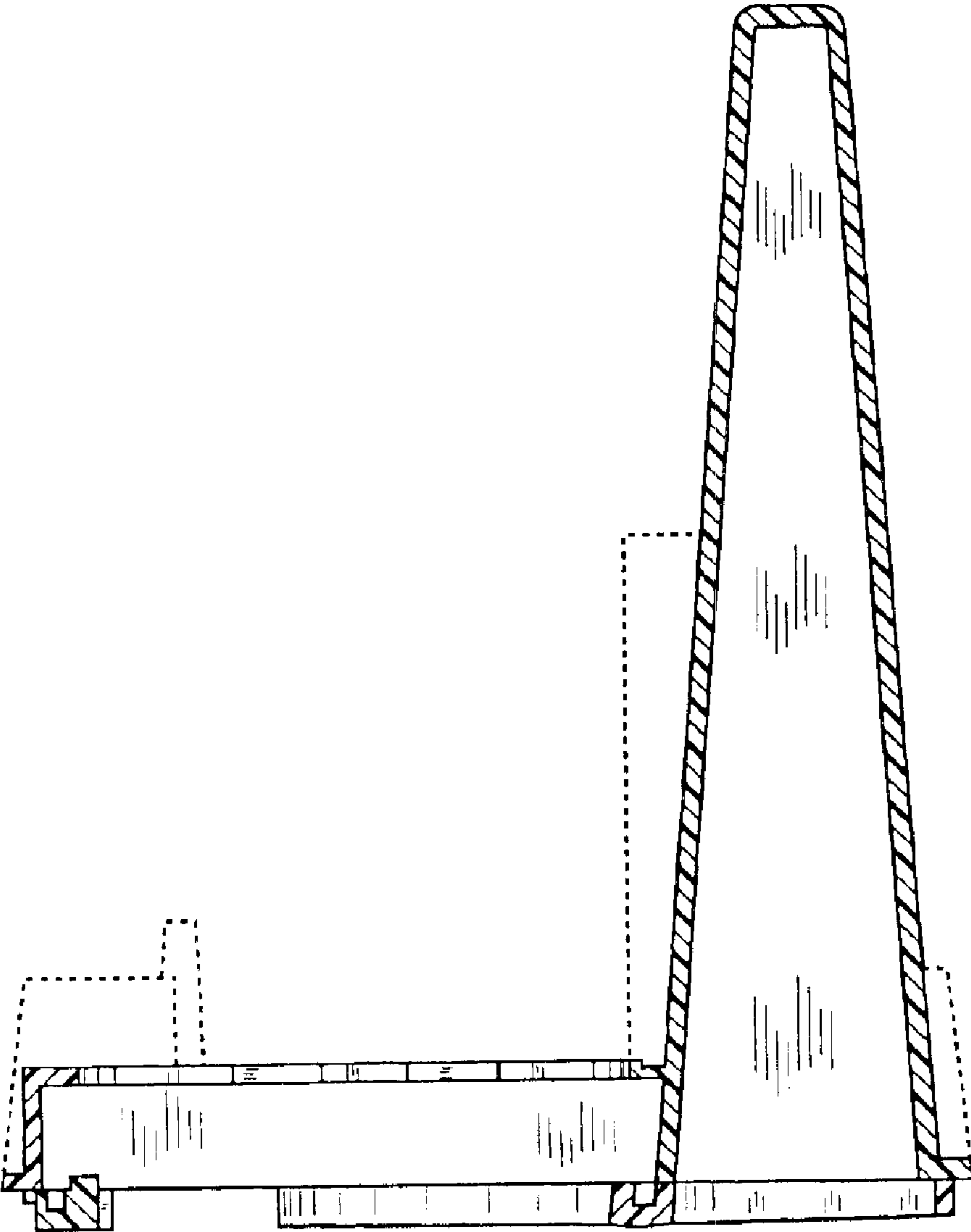
**FIG. 2**



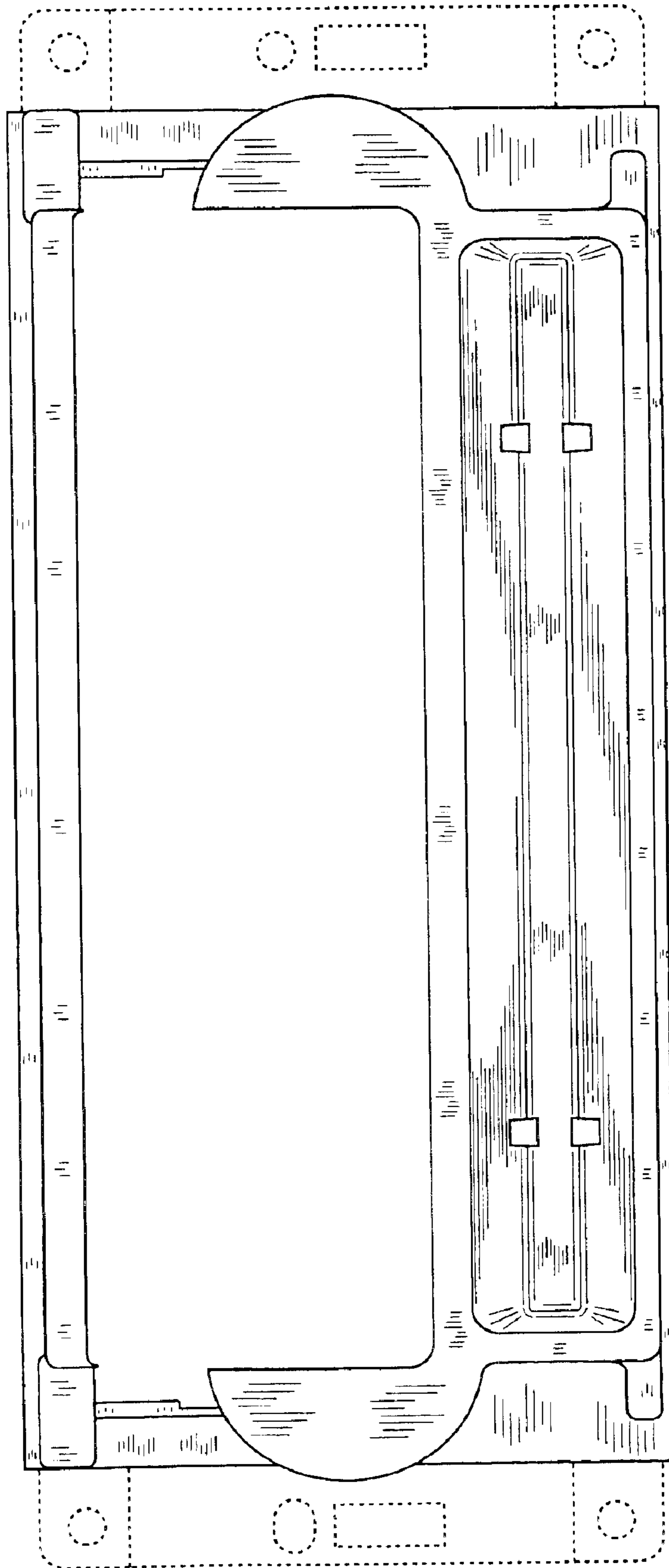
**FIG. 3**



**FIG. 4A**



**FIG. 4B**



**FIG. 5**

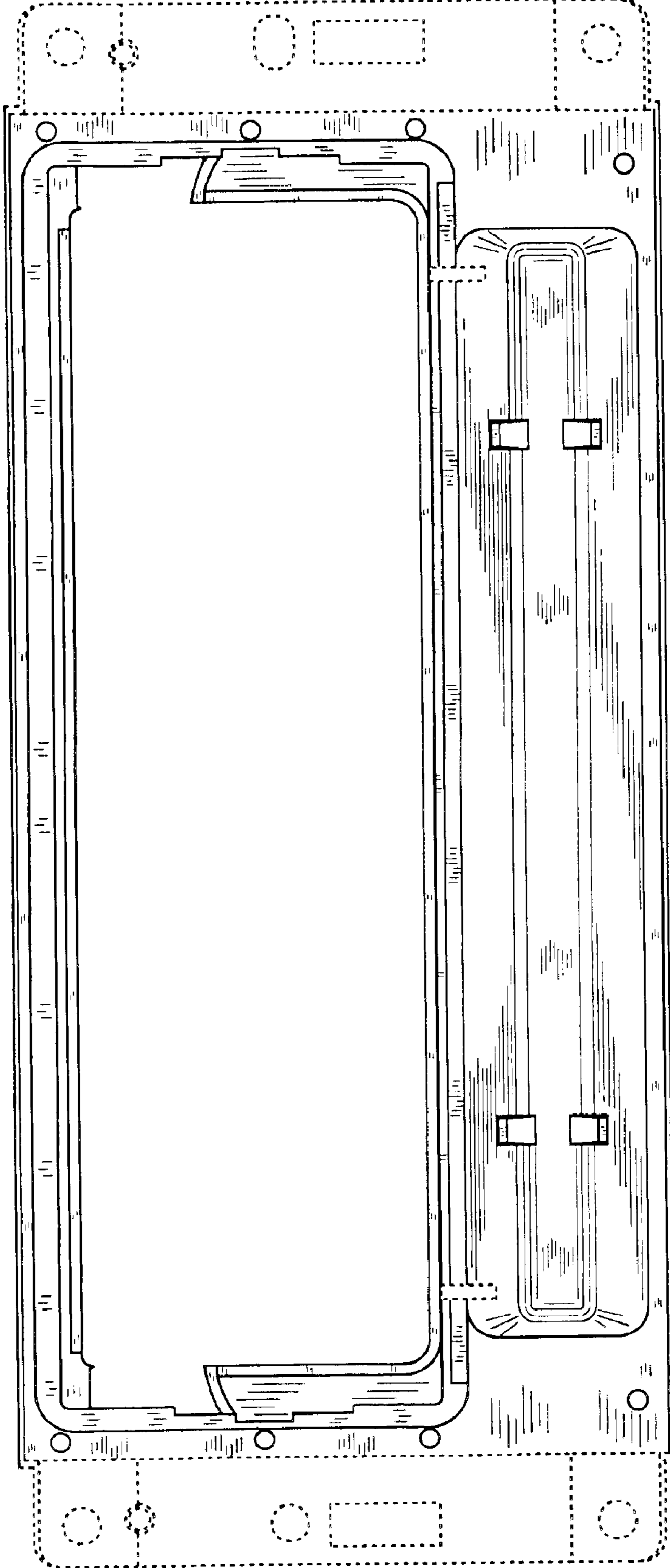


FIG. 6