

US00D503400S

(12) **United States Design Patent**
Quilling, II

(10) **Patent No.: US D503,400 S**
(45) **Date of Patent: ** Mar. 29, 2005**

(54) **ISO/DIN AUTO STEREO MOUNTING
DEVICE WITH POCKET**

(75) Inventor: **R. Spencer Quilling, II**, Deland, FL
(US)

(73) Assignee: **Metra Electronics Corporation**, Holly
Hill, FL (US)

(**) Term: **14 Years**

(21) Appl. No.: **29/201,504**

(22) Filed: **Mar. 17, 2004**

(51) **LOC (7) Cl.** **14-01**

(52) **U.S. Cl.** **D14/258; D14/224**

(58) **Field of Search** D14/204, 217,
D14/224, 229, 258; D12/223; 248/27.1,
27.3, 220.2, 221.3, 221.4, 558; 403/4; 455/345;
361/685

(56) **References Cited**

U.S. PATENT DOCUMENTS

5,106,039 A	4/1992	Gross	
5,467,947 A	11/1995	Quilling, II	
D401,591 S	11/1998	Jones, Jr.	
D418,838 S	1/2000	Jones, Jr.	
D478,903 S	* 8/2003	Metzler D14/257
D481,378 S	10/2003	Quilling, II et al.	
D481,707 S	11/2003	Quilling, II et al.	
D482,023 S	11/2003	Quilling, II et al.	
D482,024 S	11/2003	Quilling, II et al.	
D483,027 S	12/2003	Quilling, II et al.	
D484,495 S	12/2003	Quilling, II et al.	
D485,260 S	1/2004	Quilling, II et al.	
D488,462 S	* 4/2004	Quilling et al. D14/224
D492,287 S	* 6/2004	Quilling, II D14/224
D492,668 S	* 7/2004	Quilling, II D14/224
D496,028 S	* 9/2004	Quilling, II D14/224
D496,354 S	* 9/2004	Quilling, II D14/224

OTHER PUBLICATIONS

Metra 2001 Autosound Installation Products Catalog, pp.
Cover, 1–62, Published May 2001.

Metra 2002 Autosound Installation Products Catalog, cover,
pp. 6–64, Published Oct 2002.

(Continued)

Primary Examiner—Paula A. Greene

(74) *Attorney, Agent, or Firm*—Fitzpatrick, Cella, Harper &
Scinto

(57) **CLAIM**

I claim the ornamental design for an ISO/DIN auto stereo
mounting device with pocket, as shown and described.

DESCRIPTION

FIG. 1 is a right front perspective view of an ISO/DIN auto
stereo mounting device with pocket showing my new
design;

FIG. 2 is a top plan view of FIG. 1;

FIG. 3 is a bottom plan view of FIG. 1;

FIG. 4A is a right side elevation view of FIG. 1; the left side
elevation being a mirror image thereof;

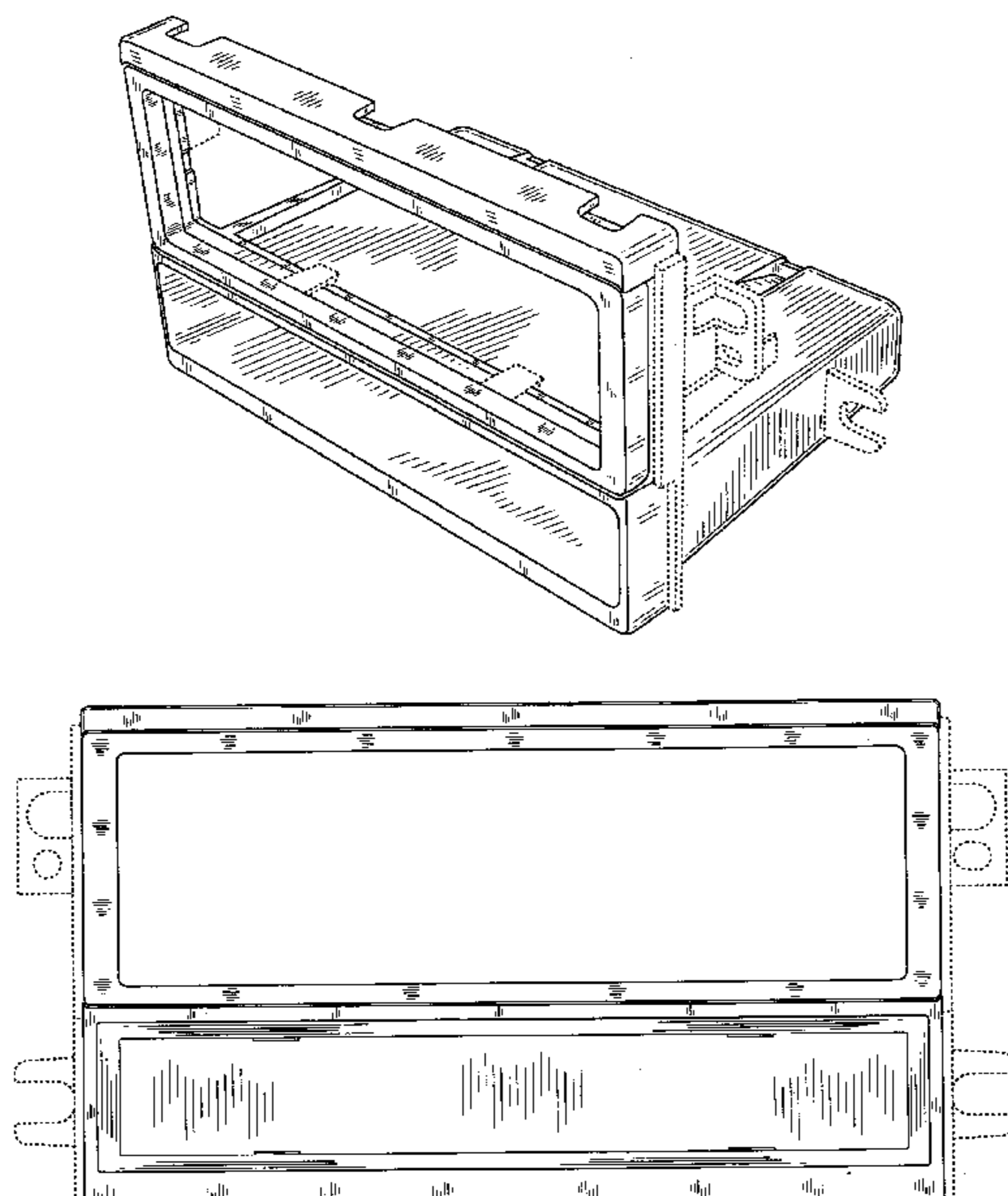
FIG. 4B is a right side elevation in cross-section, along line
4B—4B of FIG. 2, to better illustrate certain features of the
disclosed design;

FIG. 5 is a front elevation view of FIG. 1; and,

FIG. 6 is a rear elevation view of FIG. 1.

The appearance of my design for an ISO/DIN auto stereo
mounting device with pocket, characterized by a flat-faced
front surface with side mounts for an ISO/DIN auto stereo
head unit to be inserted above a narrow horizontal pocket
adapted to accept a radio housing unit. The mounting
structure shown in dotted line forms no part of the claimed
design.

1 Claim, 7 Drawing Sheets



OTHER PUBLICATIONS

U.S. Appl. No. 29/201,506, filed Mar. 17, 2004 Quilling.
U.S. Appl. No. 29/201,505, filed Mar. 17, 2004 Quilling.
U.S. Appl. No. 29/201,507, filed Mar. 17, 2004 Quilling.
U.S. Appl. No. 29/188,825, filed Aug. 26, 2003 Quilling.
U.S. Appl. No. 29/188,824, filed Aug. 26, 2003 Quilling.

U.S. Appl. No. 29/188,820, filed Aug. 26, 2003 Quilling.
U.S. Appl. No. 29/188,821, filed Aug. 26, 2003 Quilling.
U.S. Appl. No. 29/188,823, filed Aug. 26, 2003 Quilling.
U.S. Appl. No. 29/188,822, filed Aug. 26, 2003 Quilling.
U.S. Appl. No. 29/176,652, filed Feb. 23, 2003 Quilling.

* cited by examiner

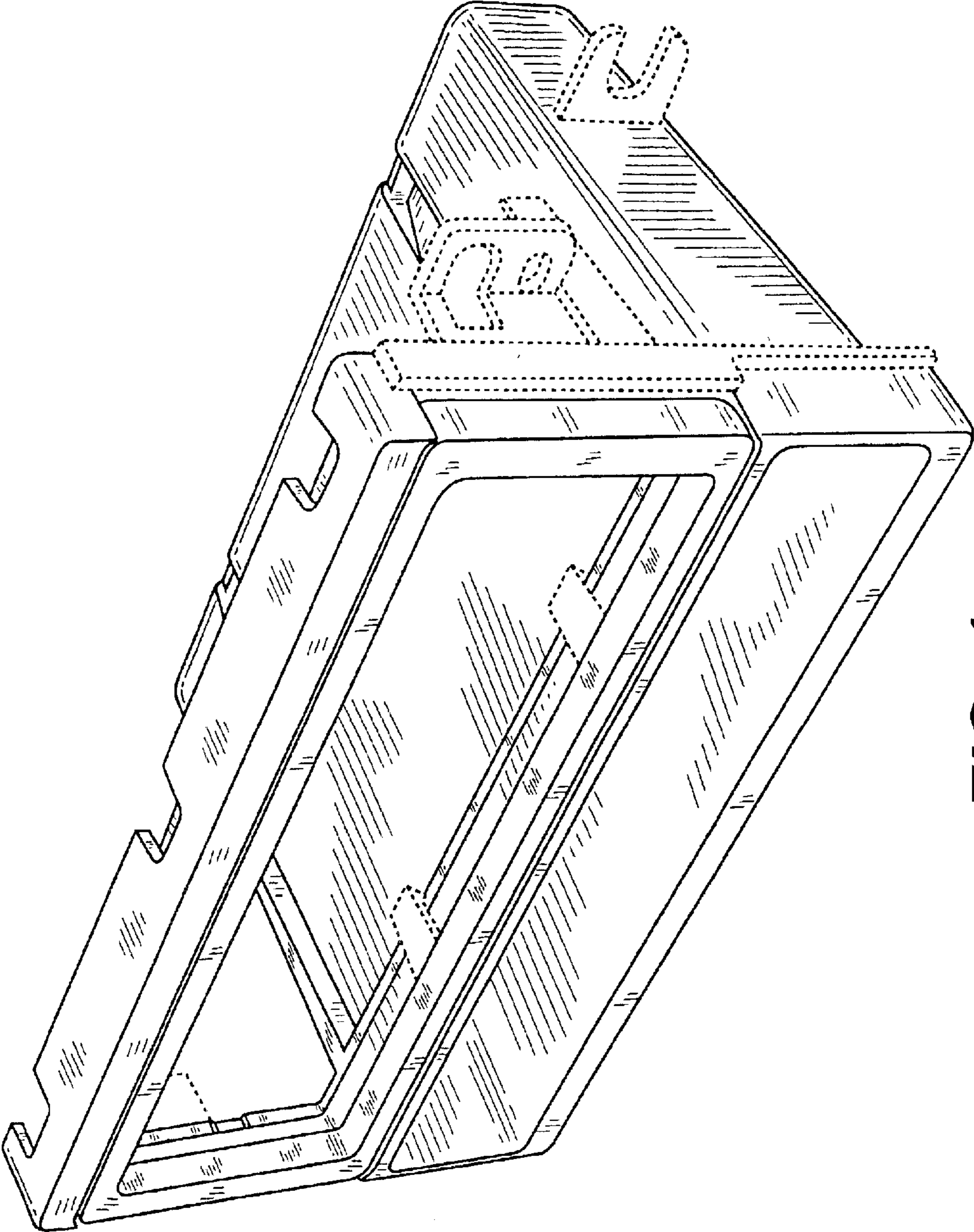


FIG. 1

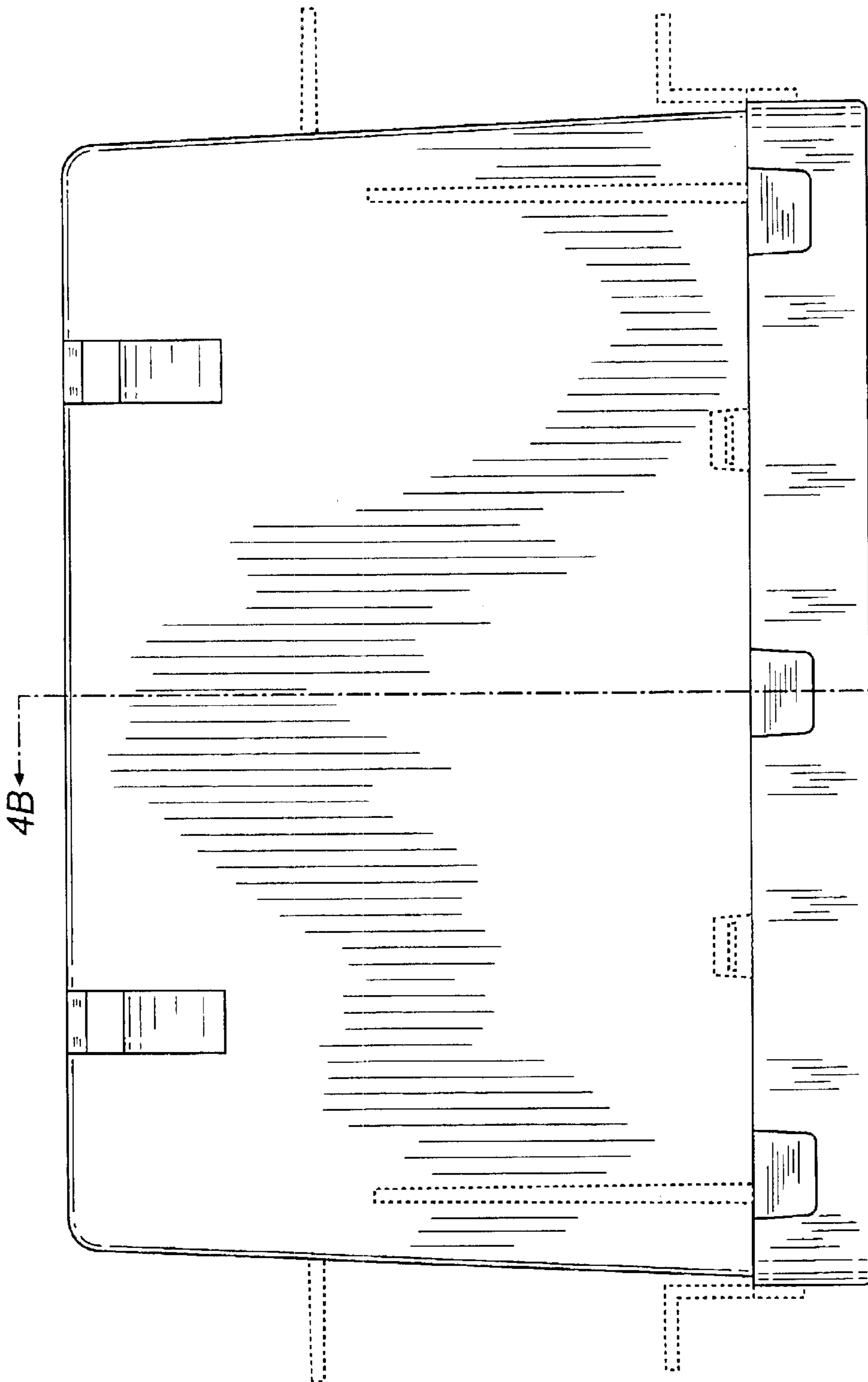


FIG. 2

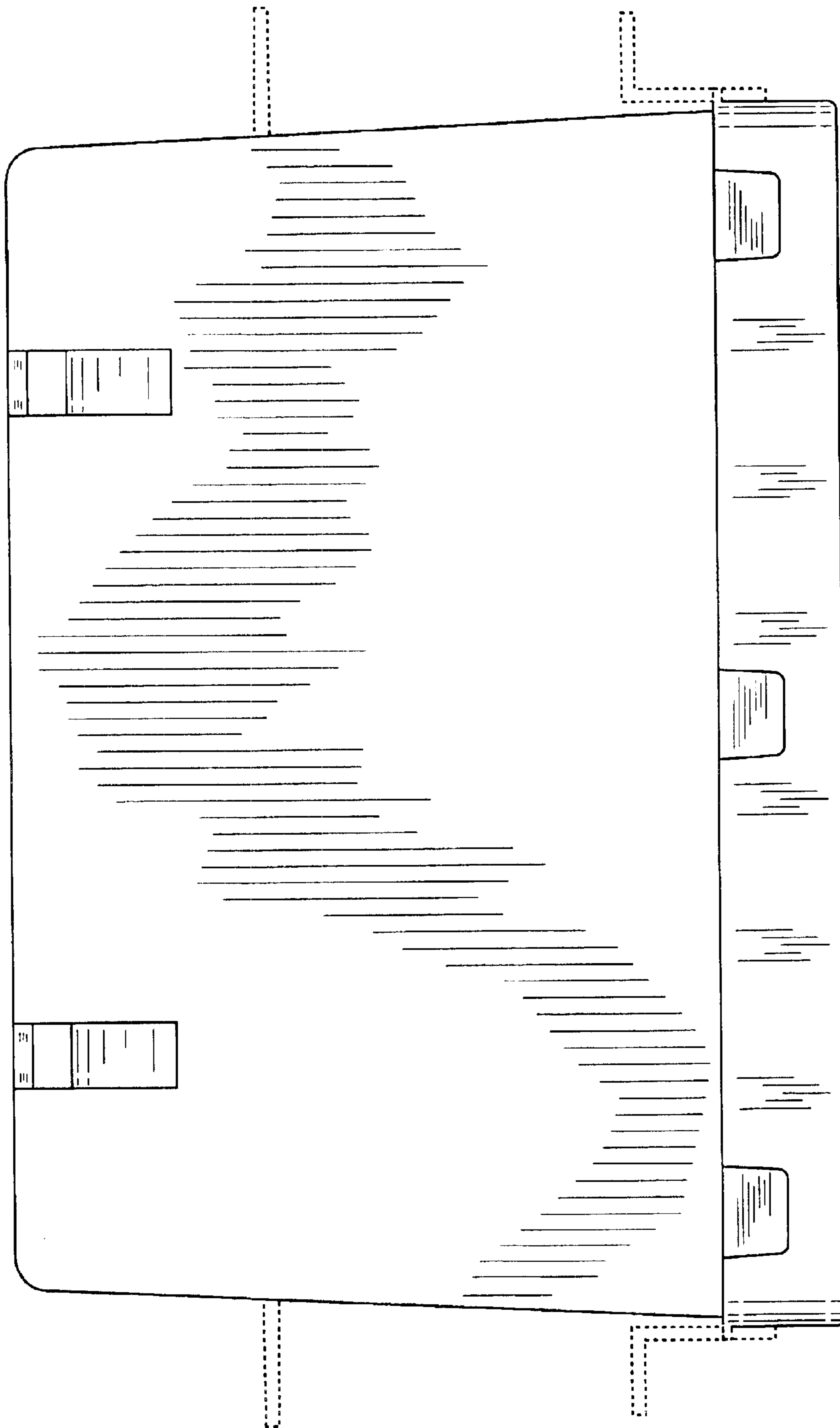


FIG. 3

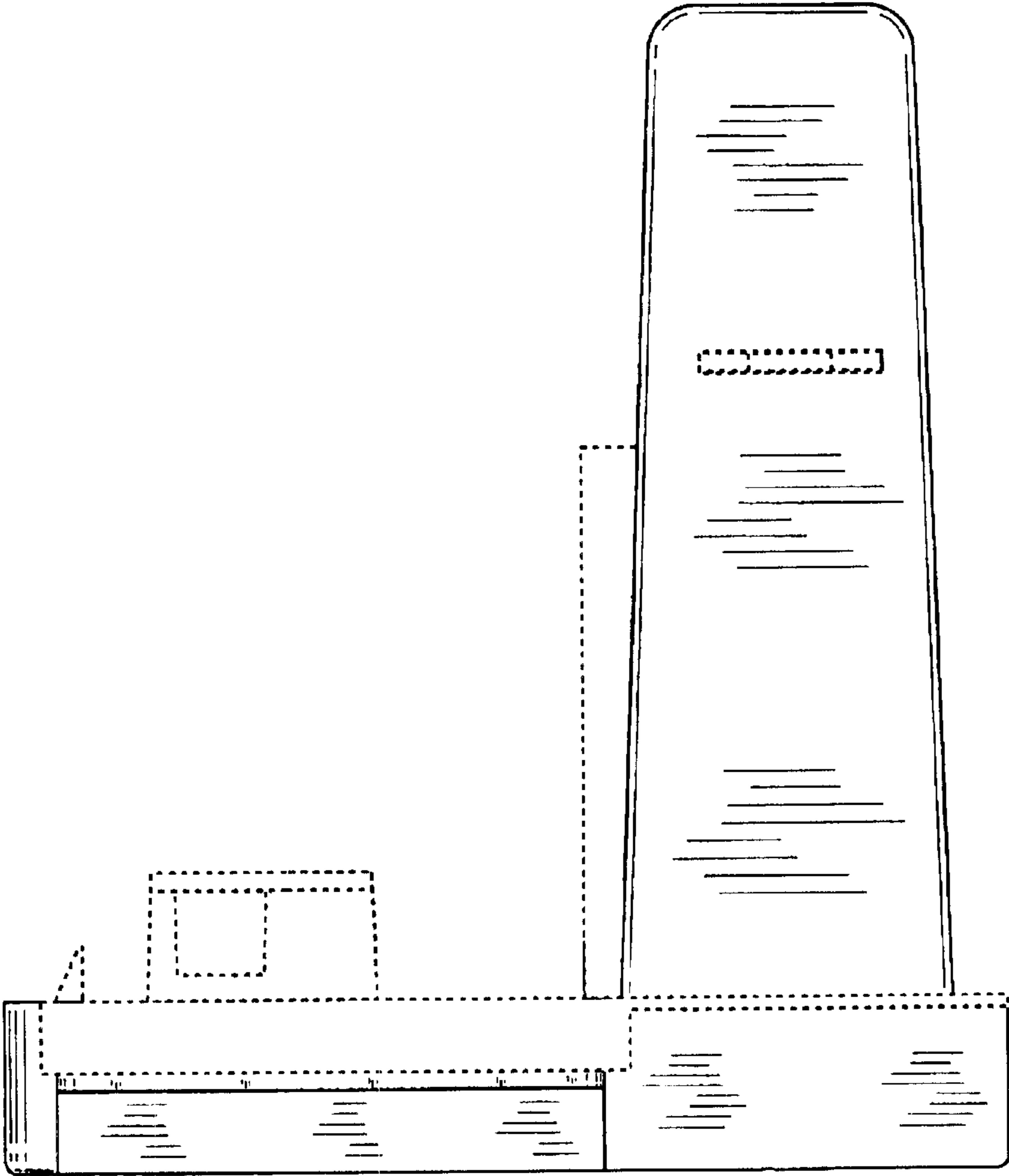


FIG. 4A

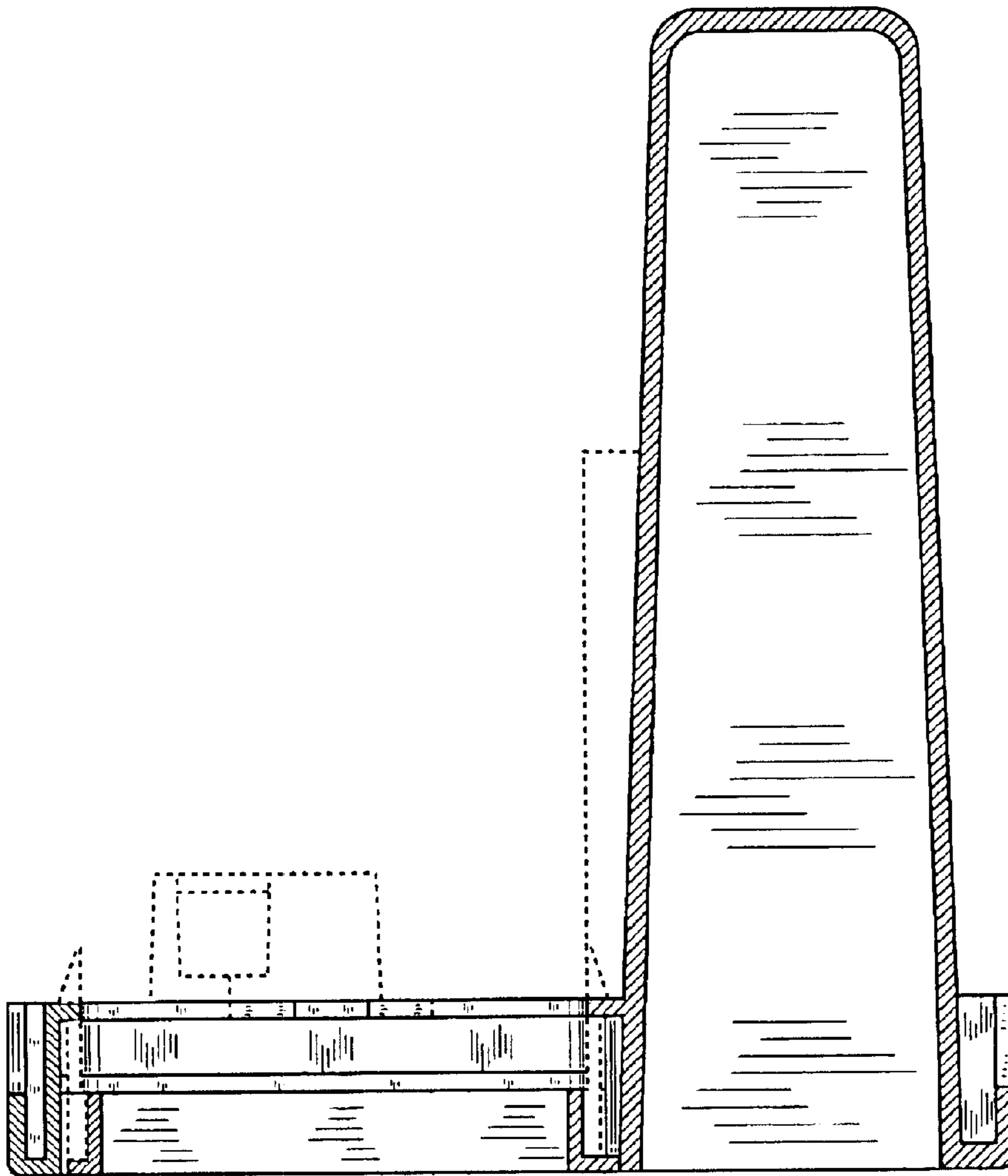


FIG. 4B

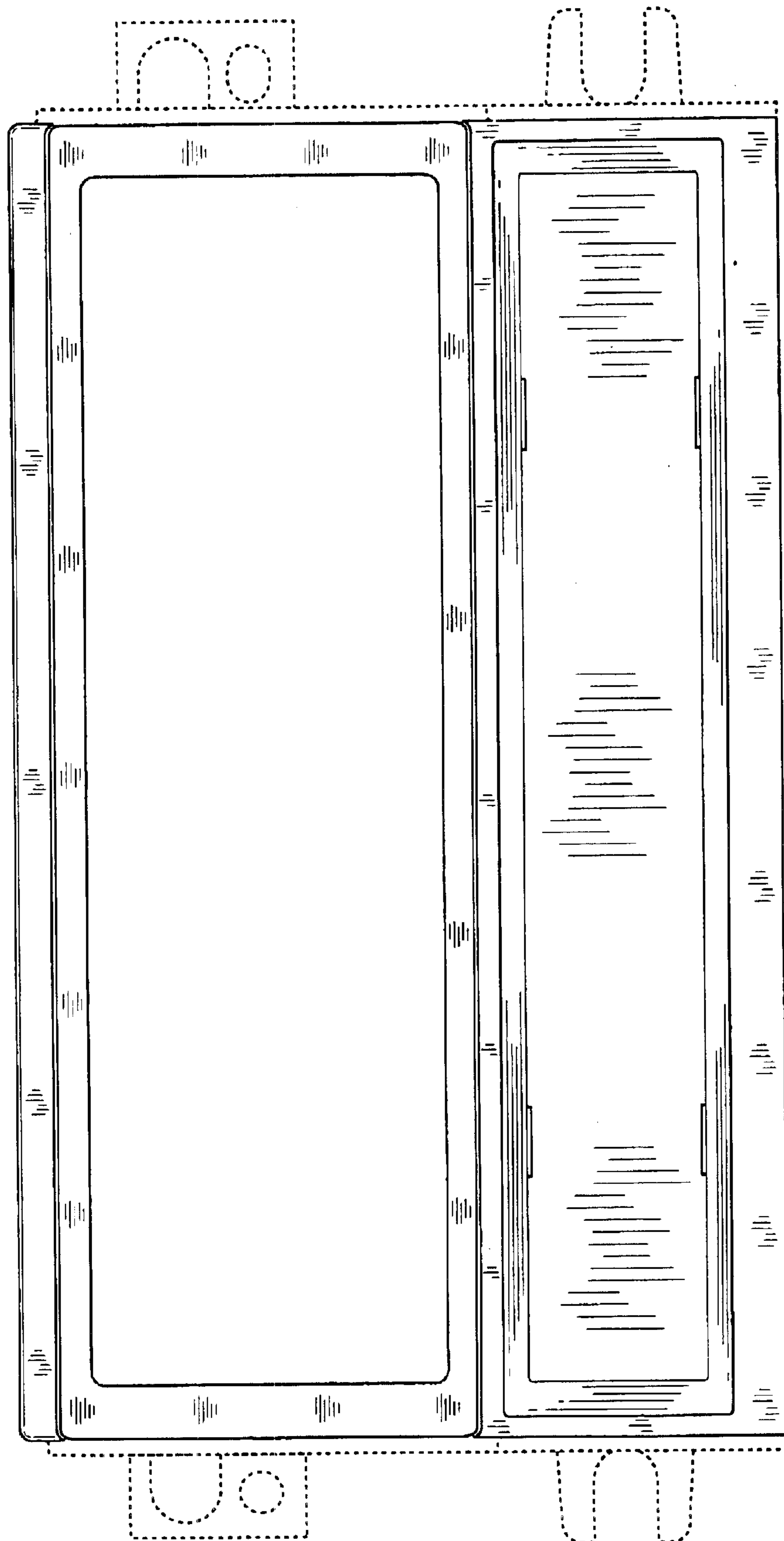


FIG. 5

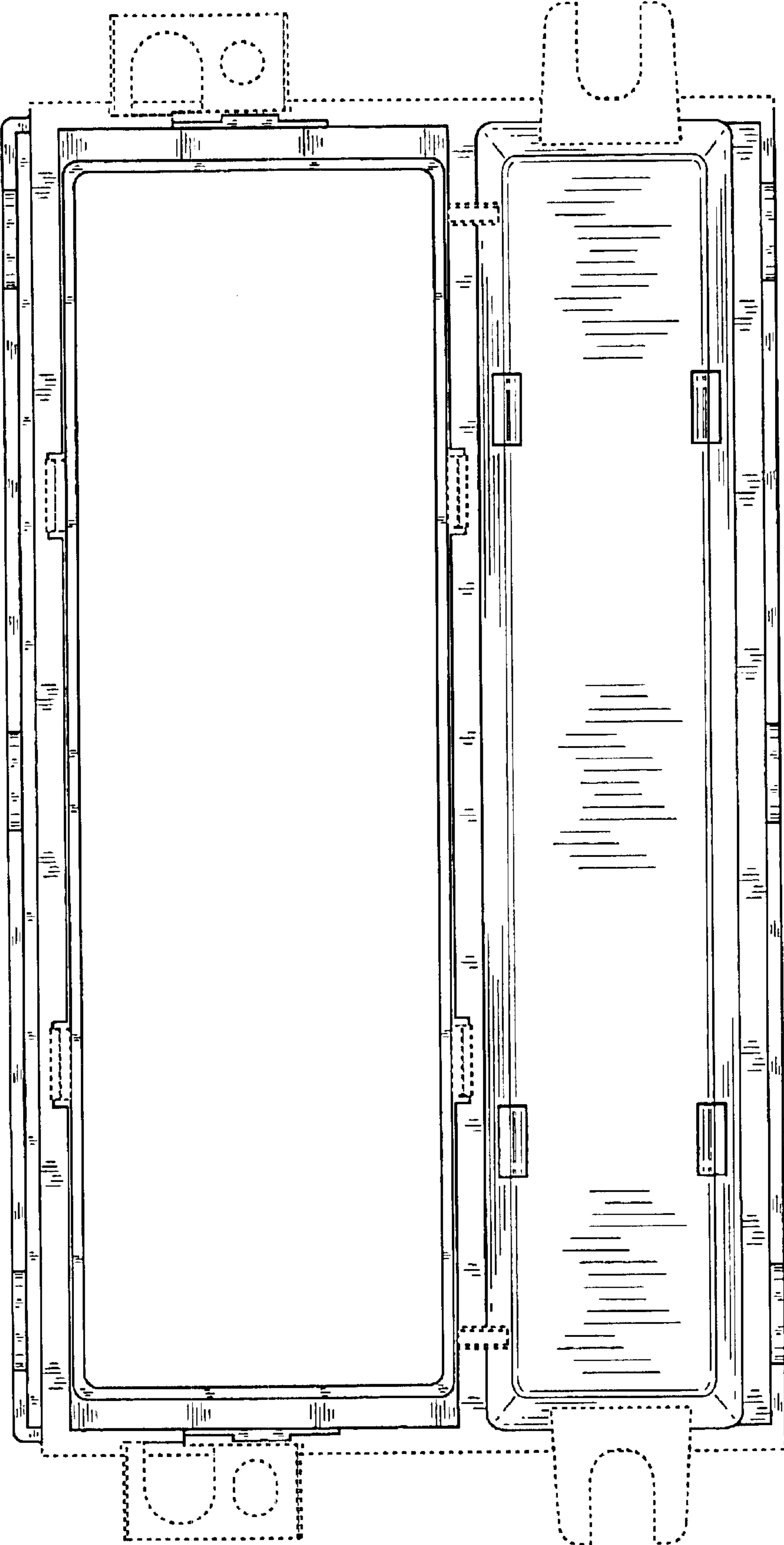


FIG. 6