



US00D503395S

(12) **United States Design Patent**  
**Hirano**

(10) **Patent No.:** **US D503,395 S**  
(45) **Date of Patent:** **\*\* Mar. 29, 2005**

(54) **COMBINED DISC PLAYER AND RADIO RECEIVER**

(75) Inventor: **Shinpei Hirano**, Tokyo (JP)

(73) Assignee: **Sony Corporation**, Tokyo (JP)

(\*\*) Term: **14 Years**

(21) Appl. No.: **29/194,302**

(22) Filed: **Nov. 24, 2003**

(51) **LOC (7) Cl.** ..... **14-01**

(52) **U.S. Cl.** ..... **D14/168**; D14/189

(58) **Field of Search** ..... D14/135-136,  
D14/156-157, 160-165, 167-168, 192-198,  
207, 217, 189; 455/347-351, 344; 369/75.1,  
75.2, 77.1, 77.2; D21/324, 329; 463/1,  
29-35, 46-47

(56) **References Cited**

**U.S. PATENT DOCUMENTS**

D377,650 S	*	1/1997	Obata	.....	D14/171
D456,381 S	*	4/2002	Momsen et al.	.....	D14/156
D457,869 S		5/2002	Narita		
D460,431 S		7/2002	Narita		
D467,564 S	*	12/2002	Obata	.....	D14/136

**FOREIGN PATENT DOCUMENTS**

JP D1161110 S 12/2002

**OTHER PUBLICATIONS**

“SonyDrive, ICF-CD2000(JE),” Sony Corporation, 1 Sheet (Sep. 2003).

Web page “ICF-C630(R) TC(1ch-3ch) FM/AM” www.yodobashi.com, 1 sheet, (Sep. 2003).

\* cited by examiner

*Primary Examiner*—Nanda Bondade

(74) *Attorney, Agent, or Firm*—Rader, Fishman & Grauer PLLC

(57) **CLAIM**

The ornamental design for a combined disc player and radio receiver, as shown and described.

**DESCRIPTION**

FIG. 1 is a perspective view of a combined disc player and radio receiver showing my new design; FIG. 2 is a front elevational view thereof; FIG. 3 is a rear elevational view thereof; FIG. 4 is a left side elevational view thereof; FIG. 5 is a right side elevational view thereof; FIG. 6 is a top plan view thereof; and, FIG. 7 is a bottom plan view thereof. Portions in broken lines in FIGS. 1 and 2 are for illustrative purpose only and form no part of claimed design.

**1 Claim, 4 Drawing Sheets**

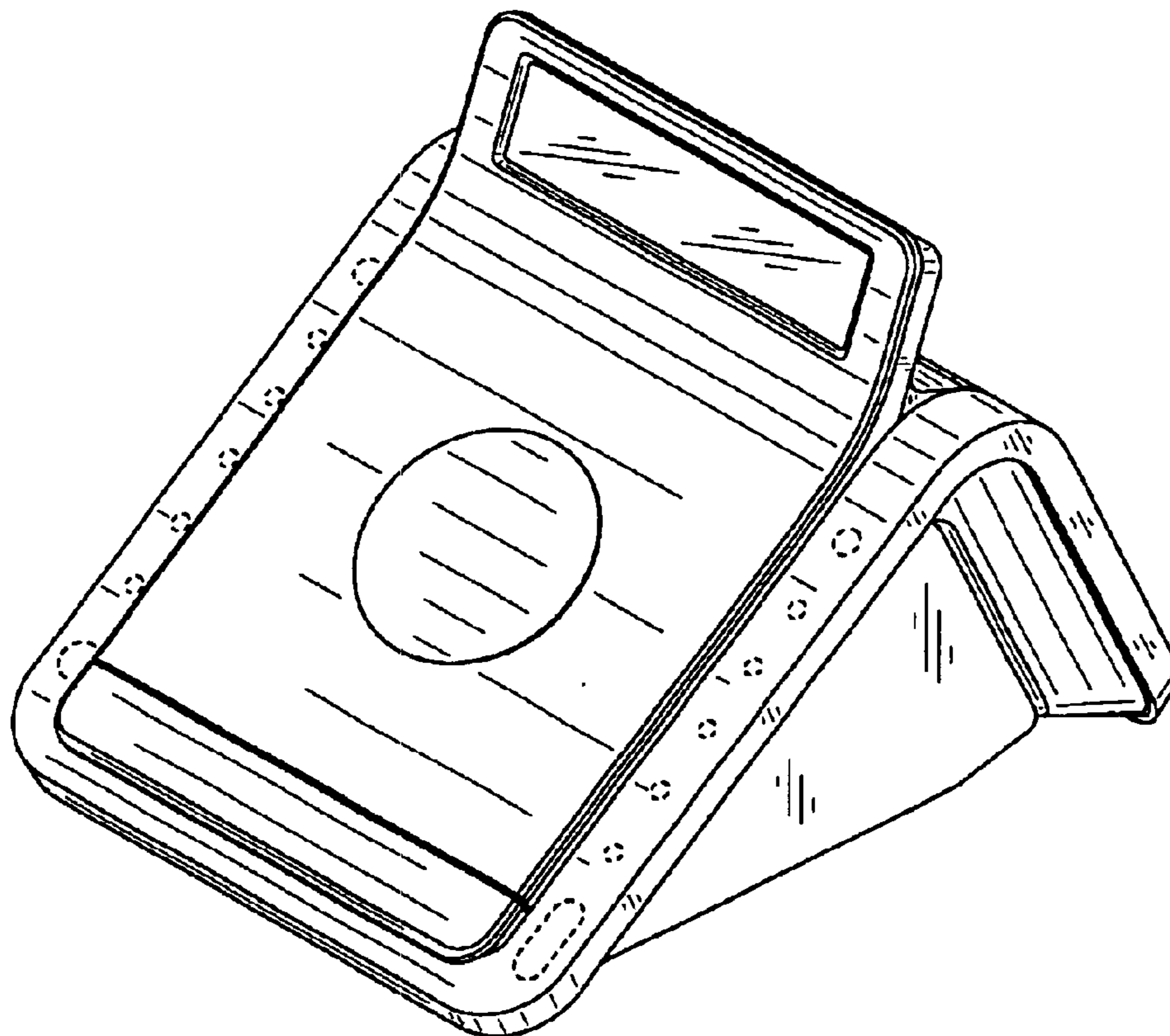


Fig. 1

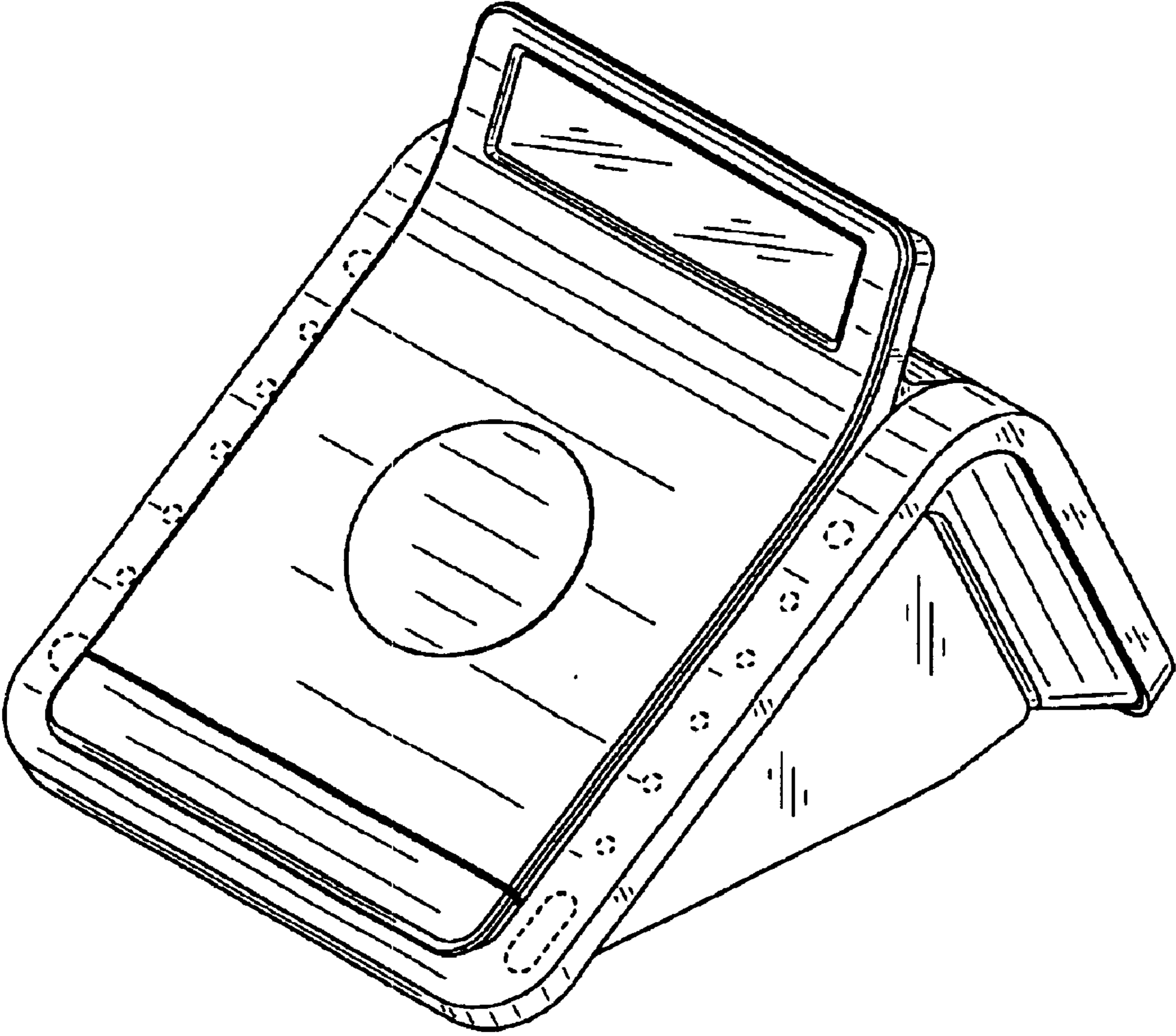


Fig.2

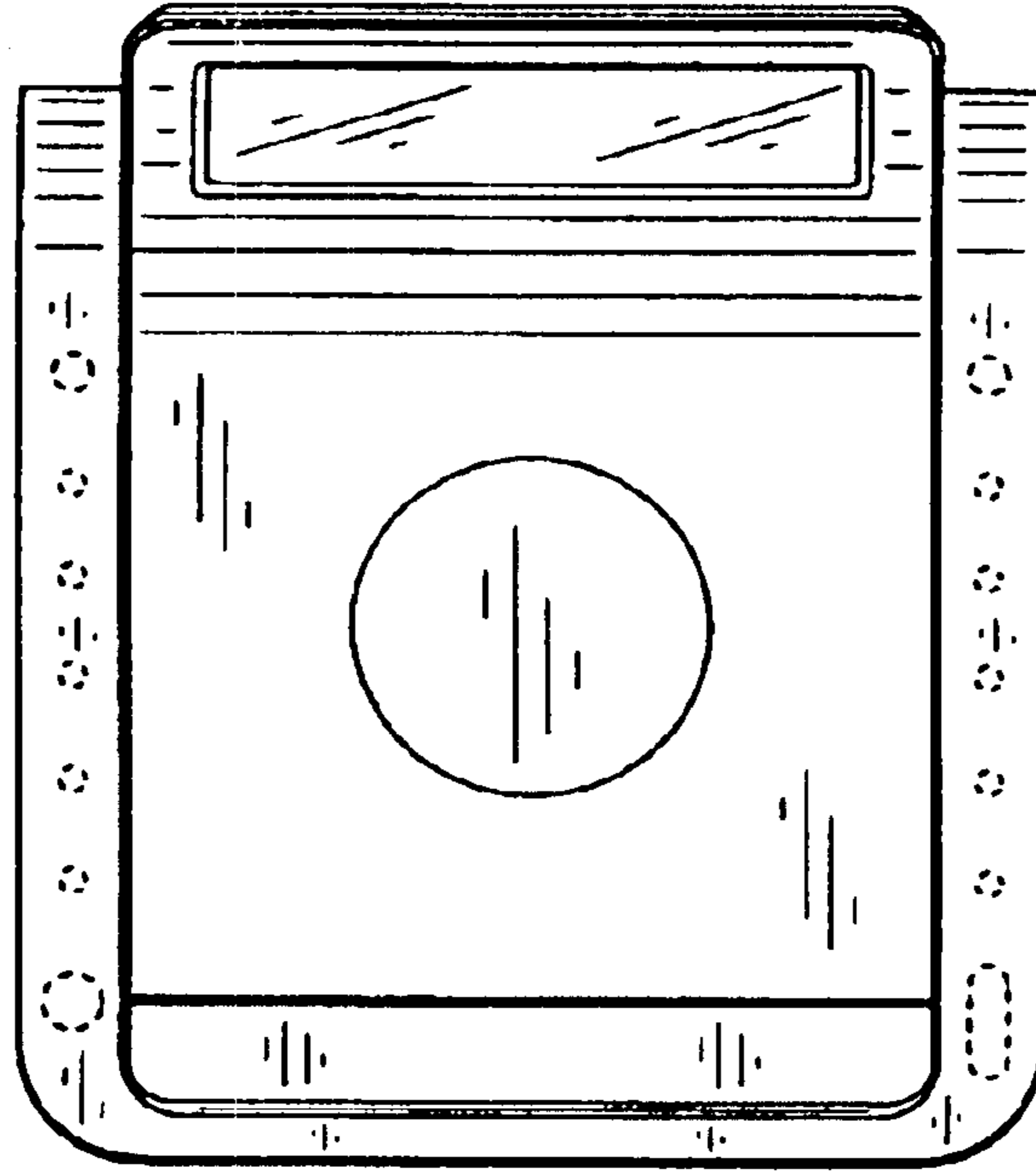


Fig.3

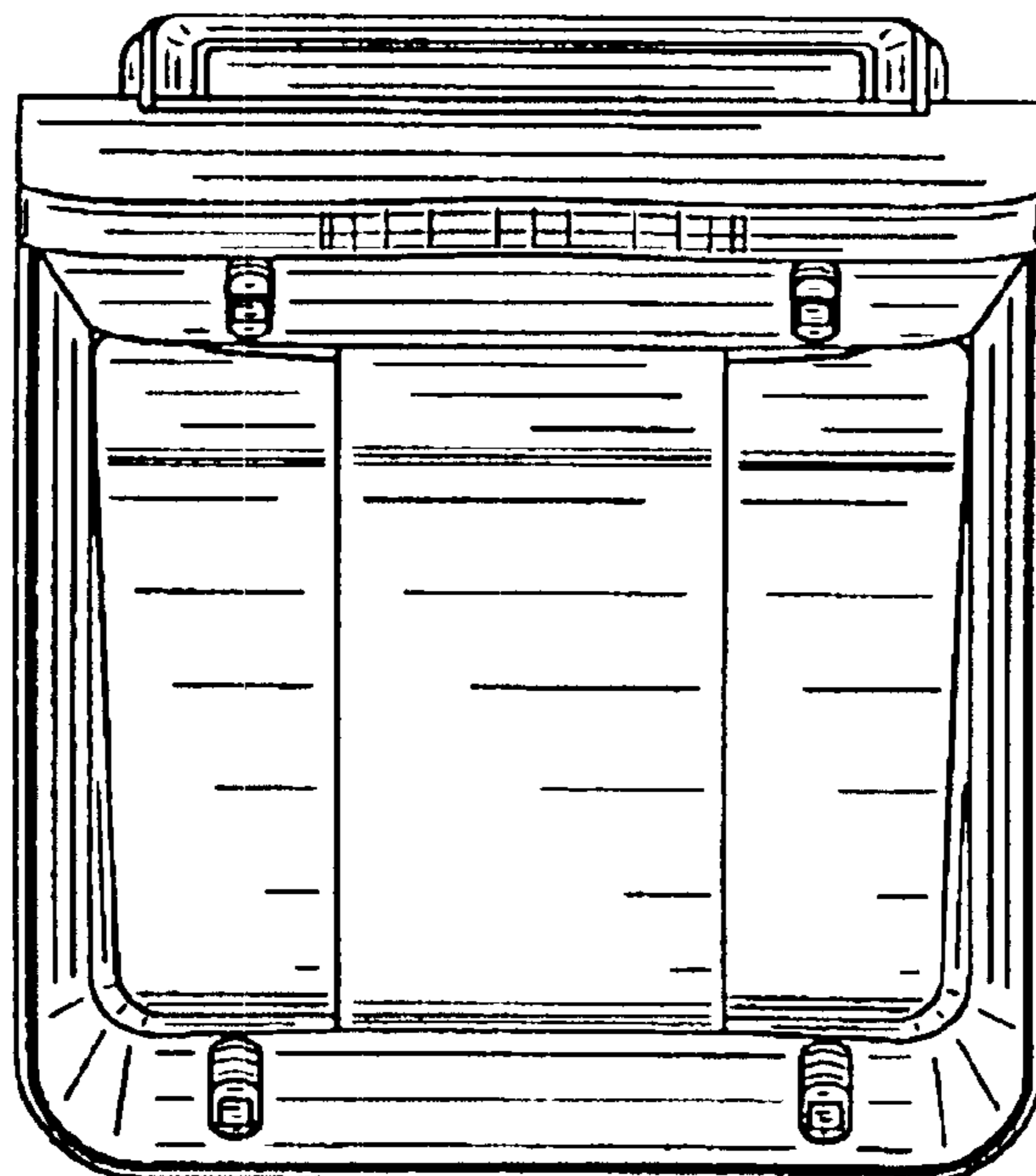


Fig.4

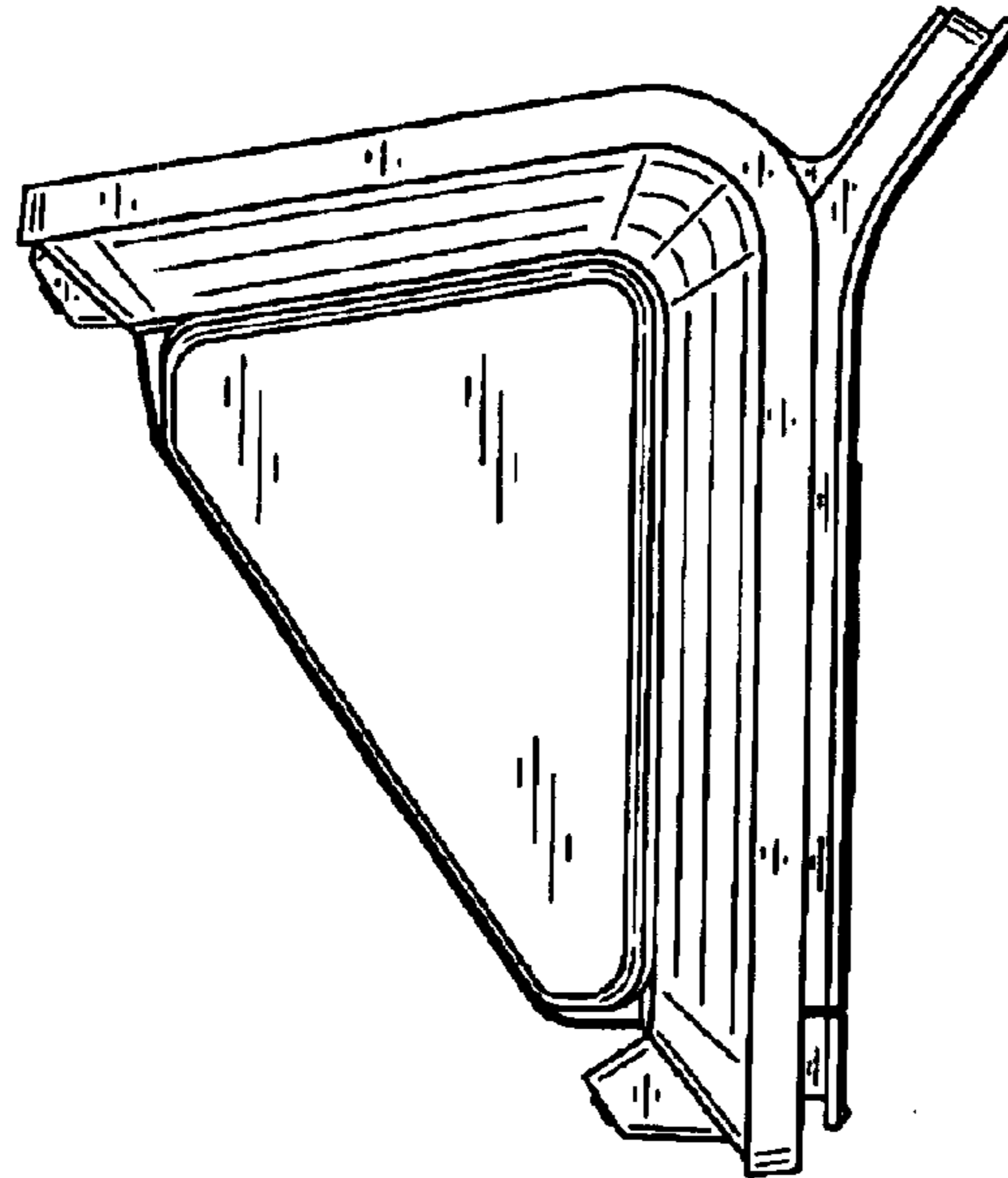


Fig.5

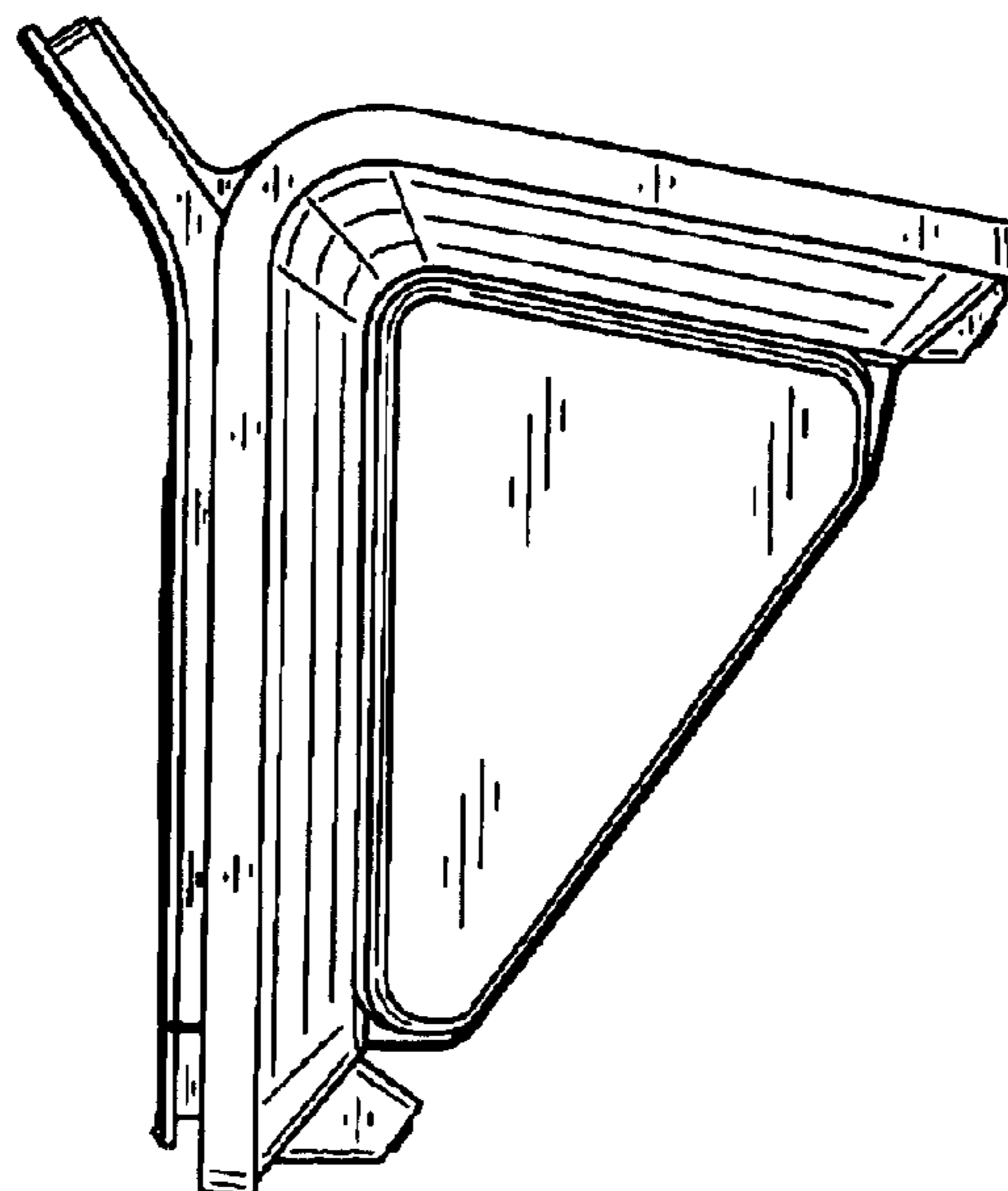


Fig.6

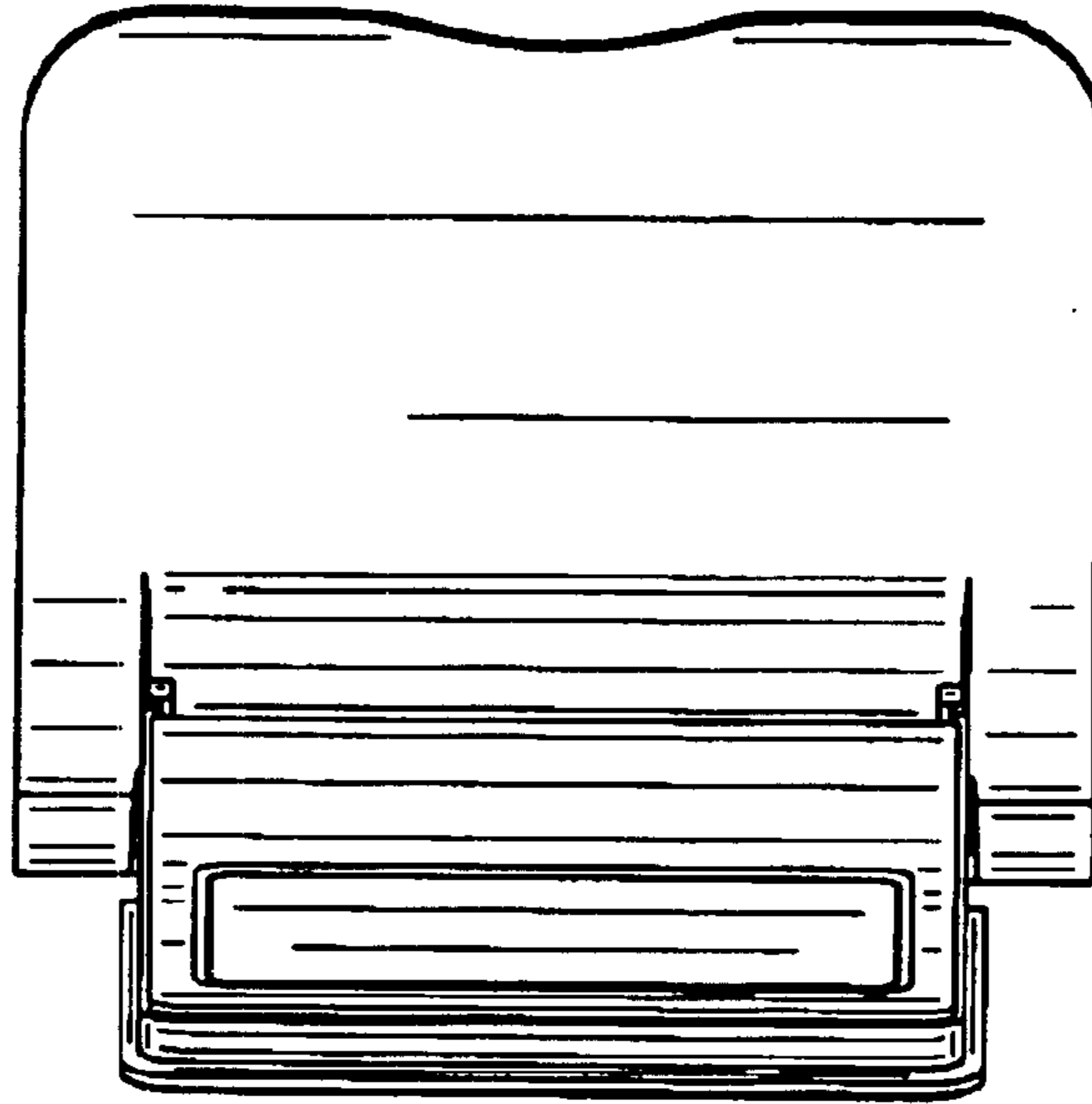


Fig.7

