

US00D503394S

(12) **United States Design Patent**
Naito

(10) **Patent No.:** **US D503,394 S**
(45) **Date of Patent:** **** Mar. 29, 2005**

(54) **DISC PLAYER**

(75) Inventor: **Takahiro Naito**, Tokyo (JP)

(73) Assignee: **Sony Corporation**, Tokyo (JP)

(**) Term: **14 Years**

(21) Appl. No.: **29/205,798**

(22) Filed: **May 21, 2004**

(51) **LOC (7) Cl.** **14-01**

(52) **U.S. Cl.** **D14/156**

(58) **Field of Search** D14/135-136,
D14/156-157, 160-165, 167-168, 192-198,
217-218; 455/347-351; 369/75.1, 75.2,
77.1, 77.2

(56) **References Cited**

U.S. PATENT DOCUMENTS

D406,588 S	*	3/1999	Sogabe	D14/156
D430,551 S	*	9/2000	Shiono	D14/156
D449,037 S	*	10/2001	Matsuzaka	D14/218
D449,589 S		10/2001	Ishibashi et al.		
D467,893 S		12/2002	Yamada		
D467,905 S		12/2002	Takagi		

OTHER PUBLICATIONS

Web page "XP-ZV616(S)" <http://www.yodobashi.com/enjoy/more/i/19202722.html> 2 sheets, Yodobashi Camera (Mar. 2004).

Web page "SL-SV550-S" www.yodobashi.com, 1 sheet, Yodobashi Camera (Mar. 2003).

* cited by examiner

Primary Examiner—Nanda Bondade
(74) *Attorney, Agent, or Firm*—Rader, Fishman & Grauer PLLC

(57) **CLAIM**

The ornamental design for a disc player, as shown and described.

DESCRIPTION

FIG. 1 is a perspective view of a disc player showing my new design;

FIG. 2 is a front elevational view thereof;

FIG. 3 is a left side elevational view thereof;

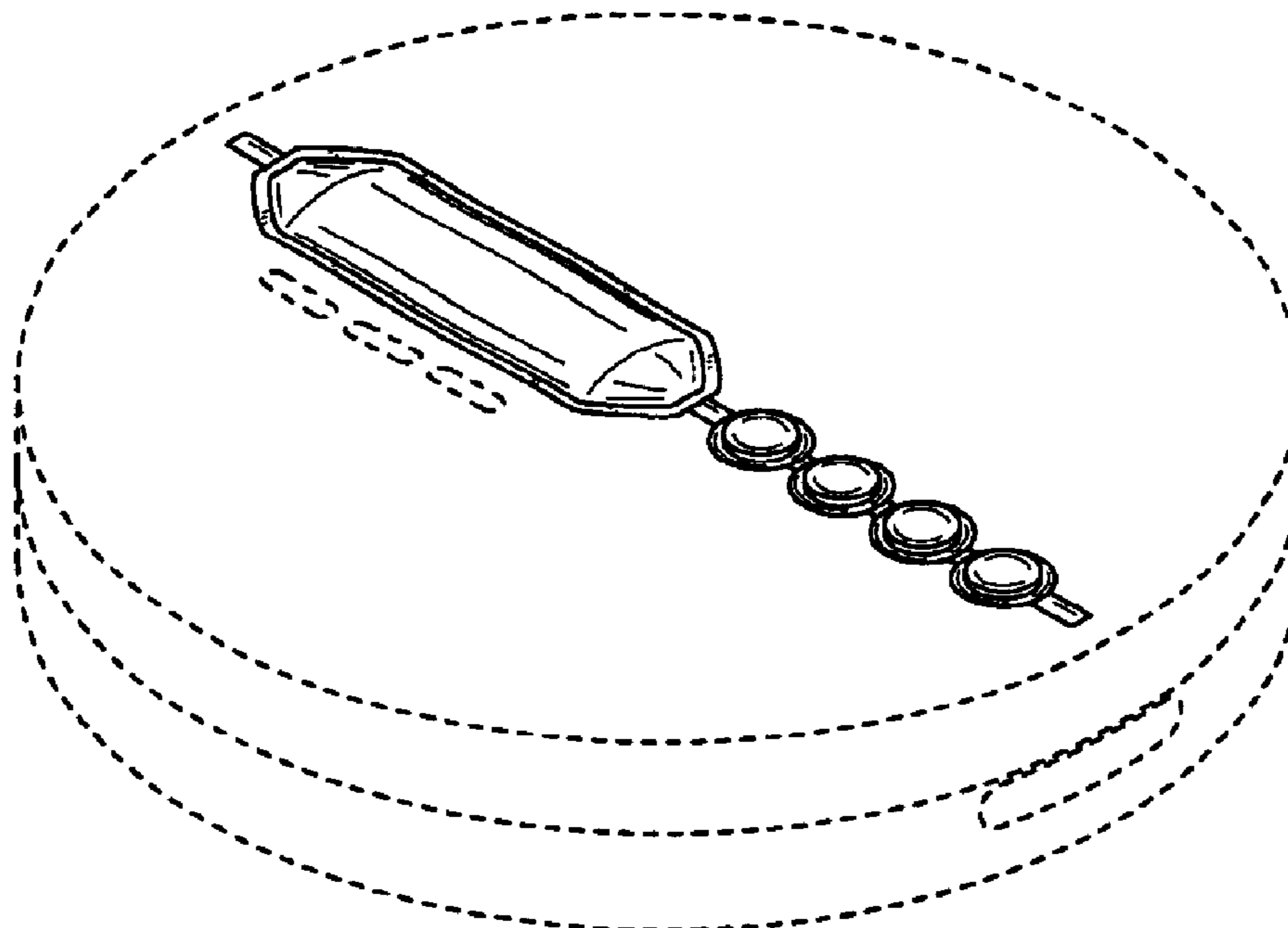
FIG. 4 is a right side elevational view thereof;

FIG. 5 is a top plan view thereof; and,

FIG. 6 is a bottom plan view thereof.

Portions of FIGS. 1-6 that are shown as broken lines are for illustrative purpose only and form no part of the claimed design.

1 Claim, 4 Drawing Sheets



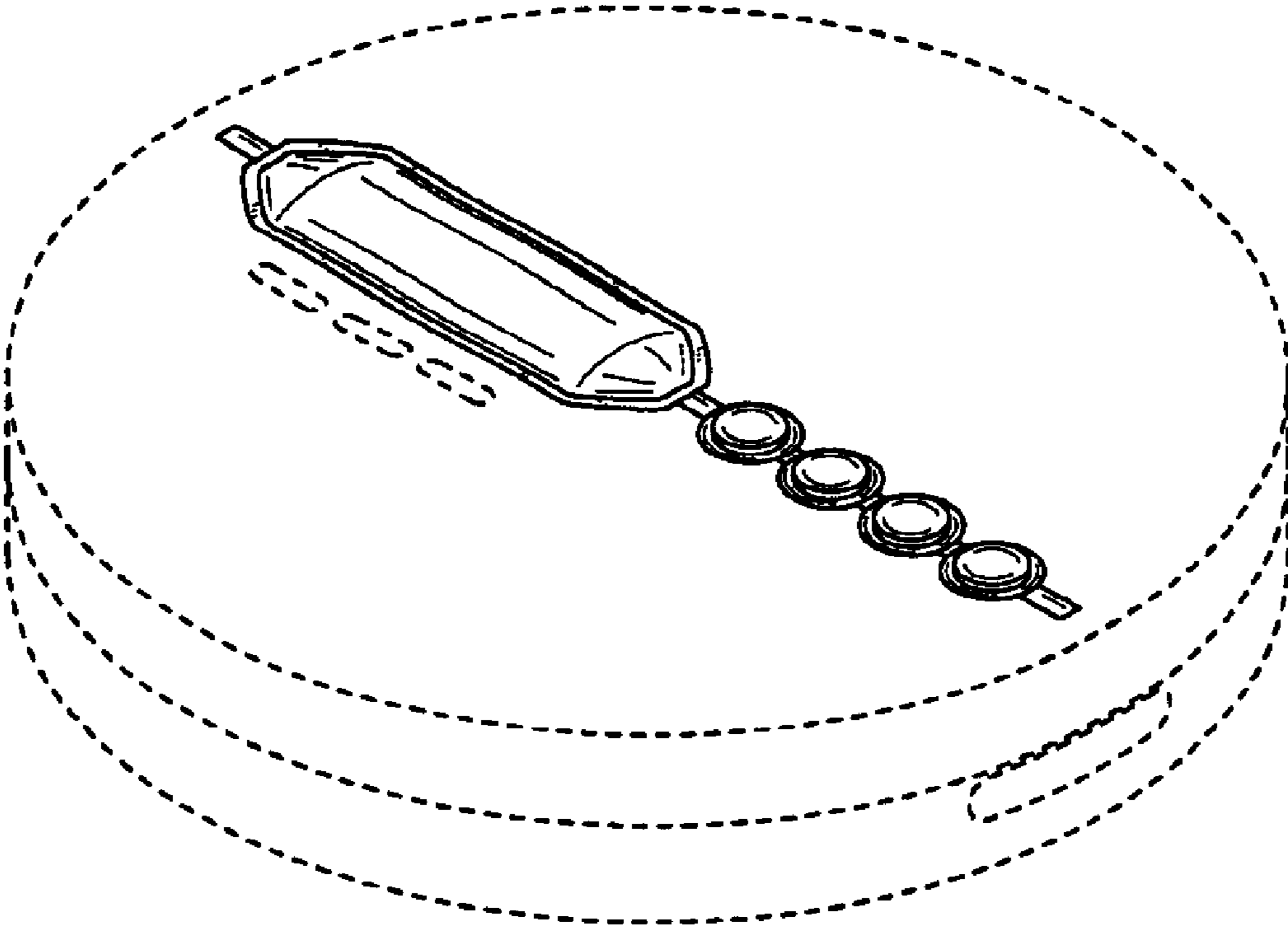


FIG. 1

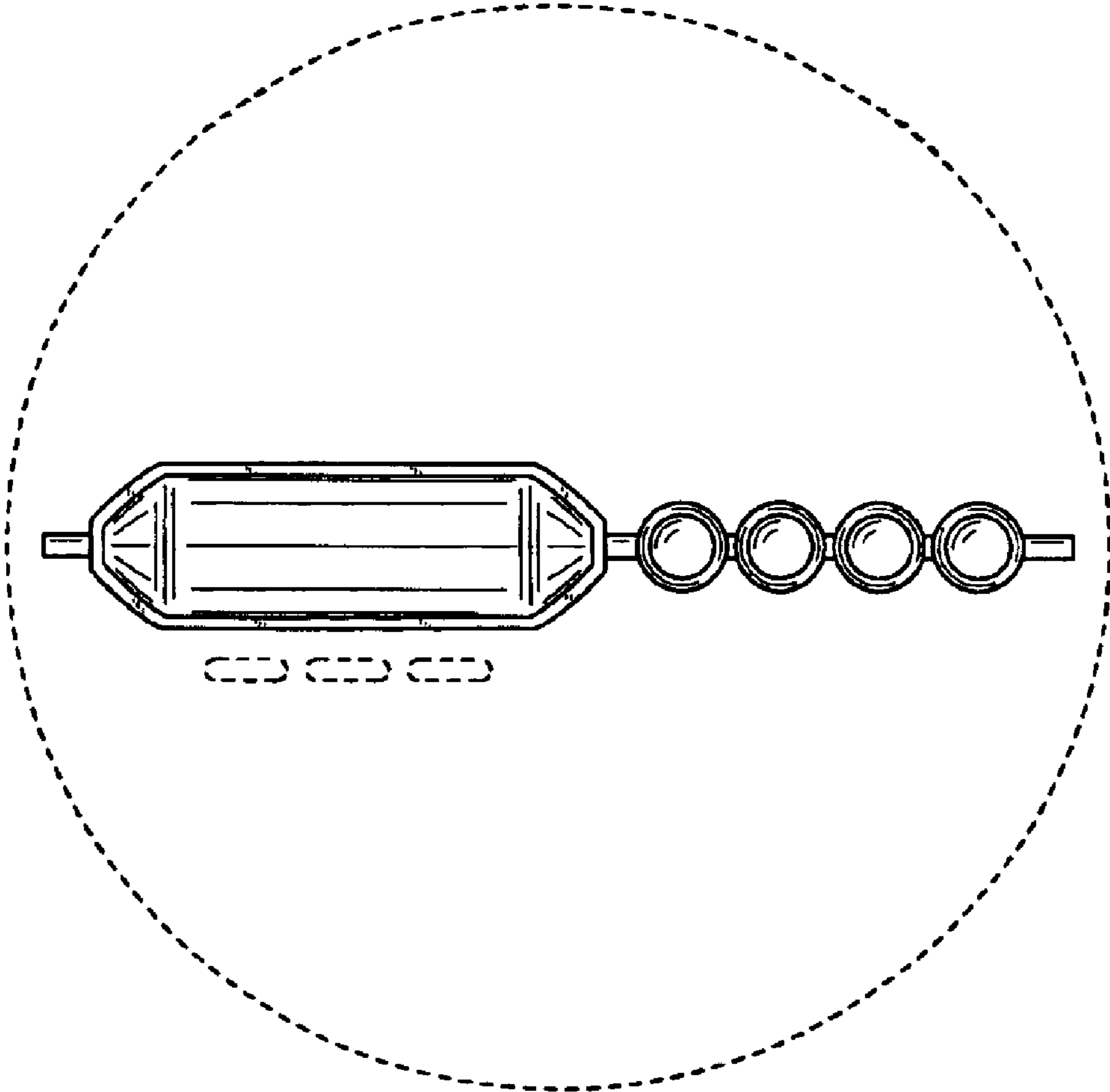


FIG. 2

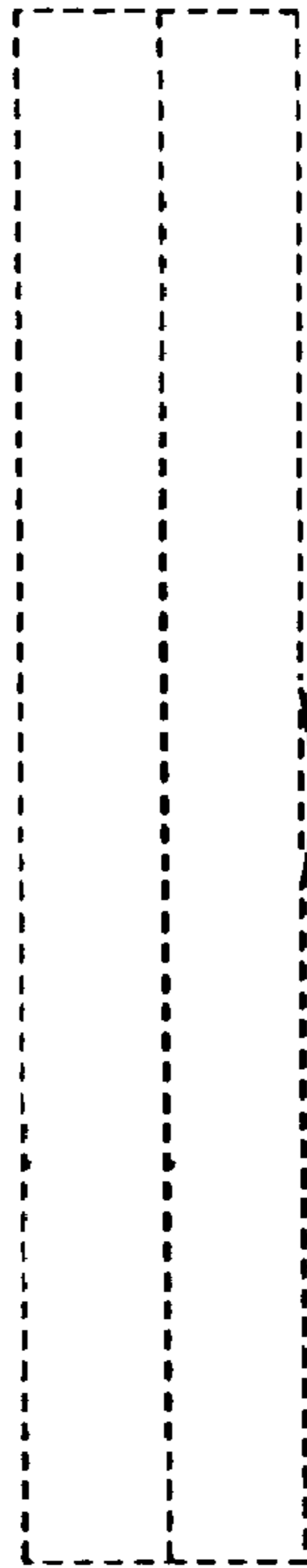


FIG. 3

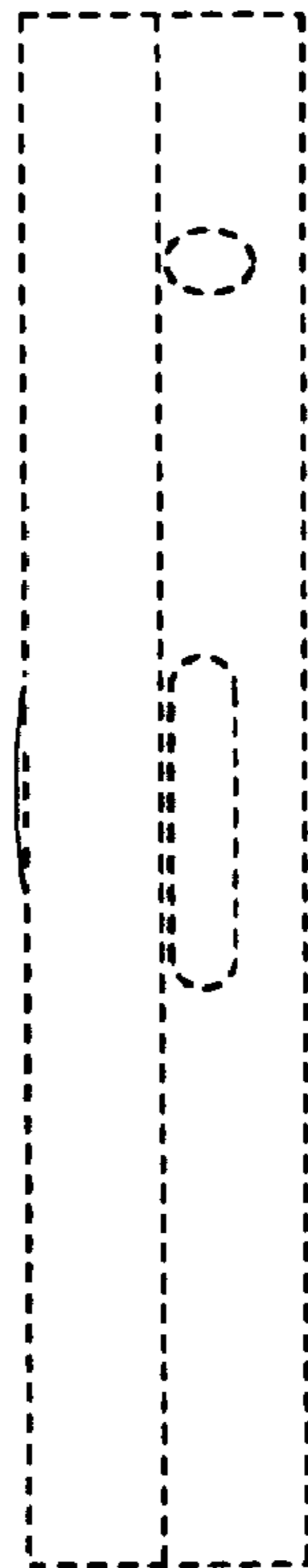


FIG. 4

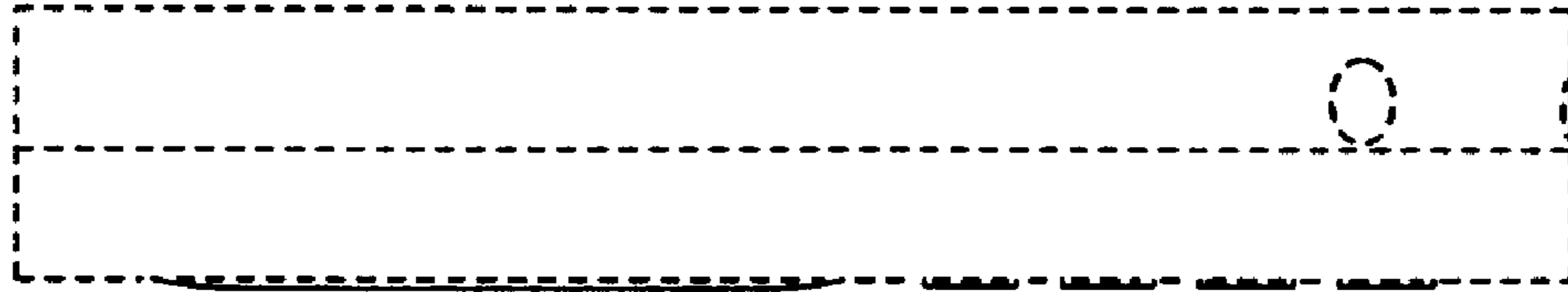


FIG. 5

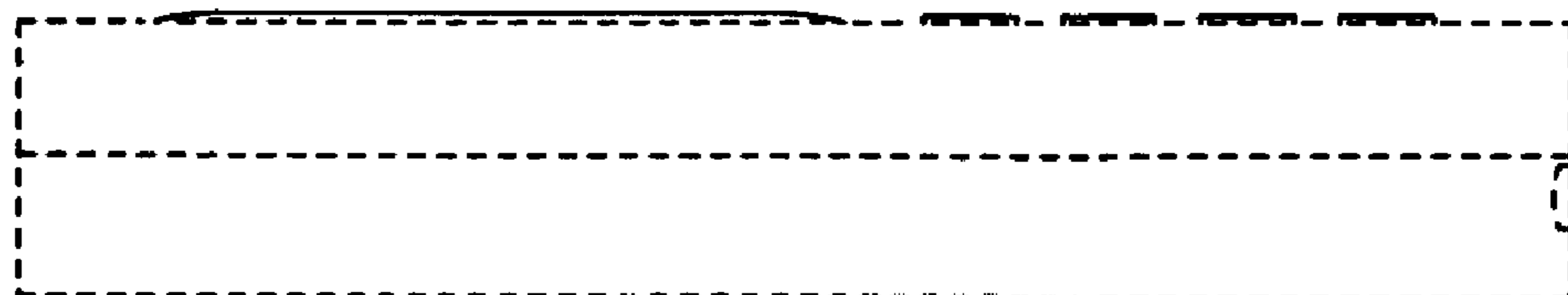


FIG. 6