

US00D503393S

(12) **United States Design Patent**
Naito et al.

(10) **Patent No.:** **US D503,393 S**
(45) **Date of Patent:** **** Mar. 29, 2005**

(54) **DISC PLAYER**

D467,577 S * 12/2002 Takagi D14/217
D470,469 S 2/2003 Hirano

(75) Inventors: **Takahiro Naito**, Tokyo (JP); **Koichi Maruta**, Saitama (JP)

OTHER PUBLICATIONS

(73) Assignee: **Sony Corporation**, Tokyo (JP)

Web page "D-CJ01", 1 sheet, Sony (Nov. 2003).
Web page "Rio Volt SP150" www.yodobashi.com, 1 sheet,
Yodobashi Camera (Nov. 2003).

(**) Term: **14 Years**

* cited by examiner

(21) Appl. No.: **29/197,483**

Primary Examiner—Nanda Bondade

(22) Filed: **Jan. 16, 2004**

(74) *Attorney, Agent, or Firm*—Rader, Fishman & Grauer,
PLLC

(51) **LOC (7) Cl.** **14-01**

(52) **U.S. Cl.** **D14/156; D14/217**

(58) **Field of Search** D14/135–136,
D14/156–157, 160–165, 167–168, 192–198,
217; 455/347–351; 369/75.1, 75.2, 77.1,
77.2

(57) **CLAIM**

The ornamental design for a disc player, as shown and described.

(56) **References Cited**

DESCRIPTION

U.S. PATENT DOCUMENTS

D431,543 S	10/2000	Yuyama	
D431,544 S	10/2000	Kobayashi	
D433,672 S	11/2000	Kobayashi	
D441,736 S	* 5/2001	Yoneda D14/156
D451,080 S	11/2001	Kataoka	
D457,871 S	* 5/2002	Kobayashi D14/156
D460,061 S	* 7/2002	Zeitman D14/156
D460,746 S	* 7/2002	Zeitman D14/156
D466,490 S	* 12/2002	Zeitman D14/156

FIG. 1 is a perspective view of a disc player showing our new design;

FIG. 2 is a front elevational view thereof;

FIG. 3 is a left side elevational view thereof;

FIG. 4 is a right side elevational view thereof;

FIG. 5 is a top plan view thereof; and,

FIG. 6 is a bottom plan view thereof.

Portions of FIGS. 1–6 that are shown as broken lines are for illustrative purpose only and form no part of the claimed design.

1 Claim, 4 Drawing Sheets

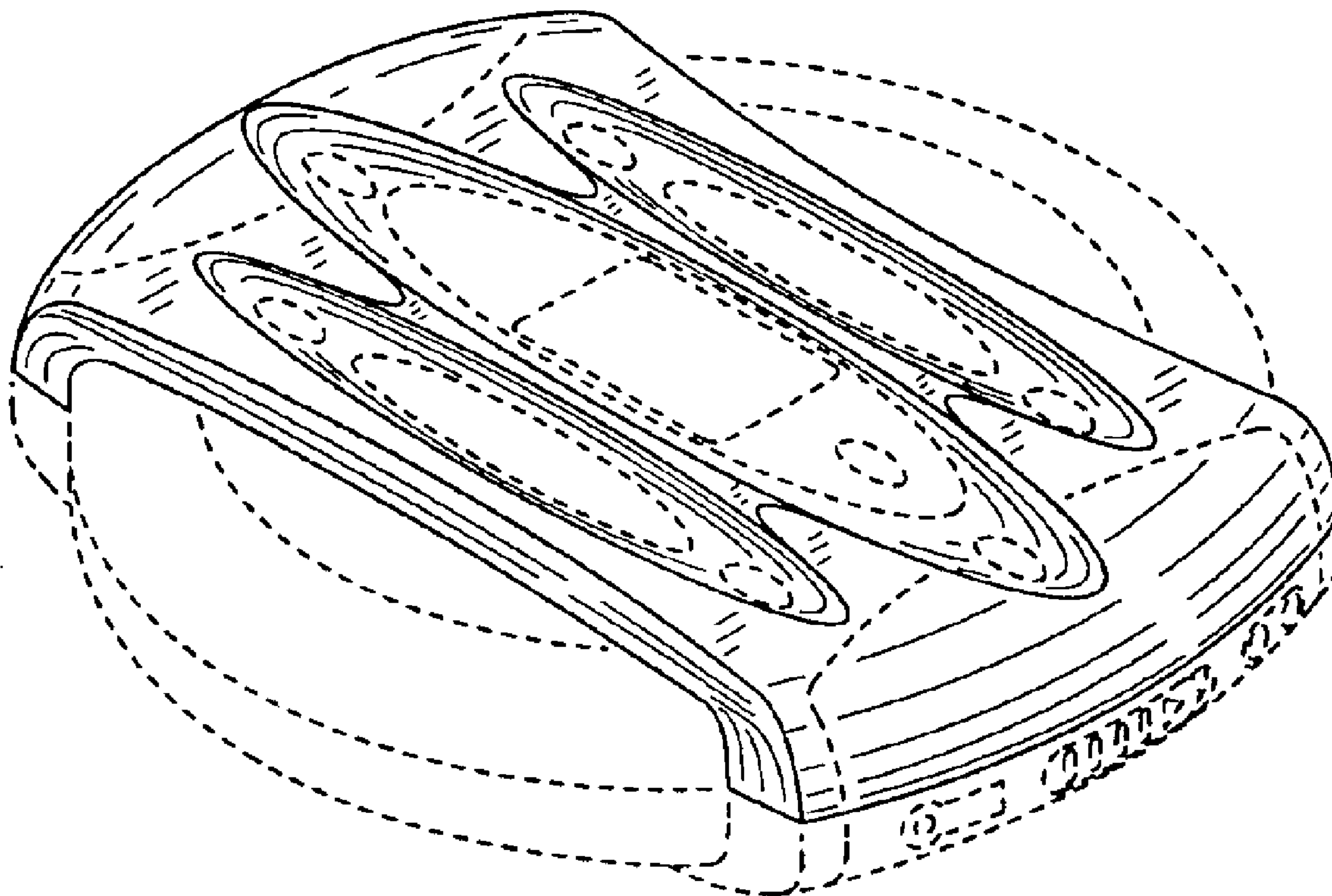


Fig. 1

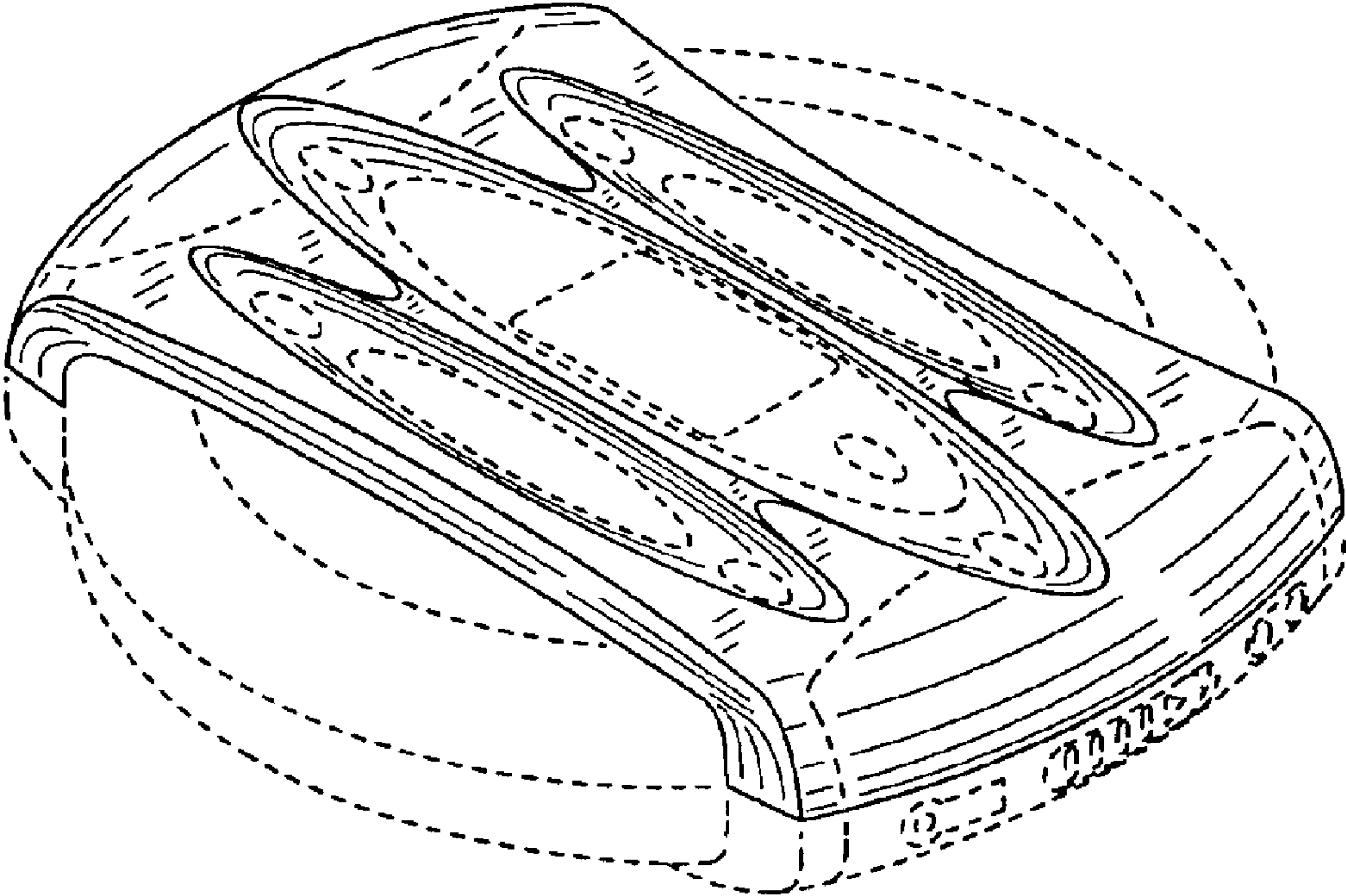


Fig.2

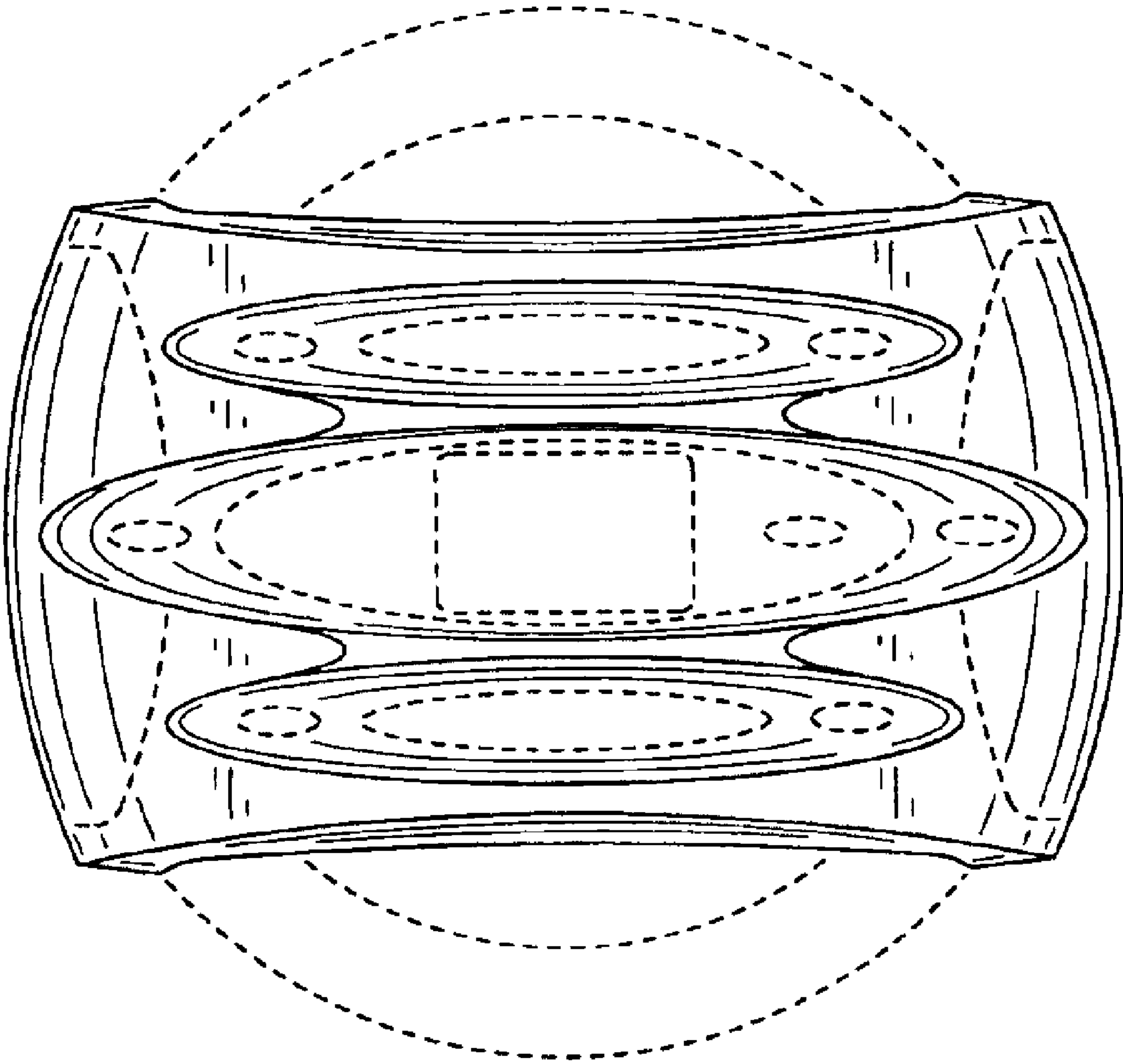


Fig.3

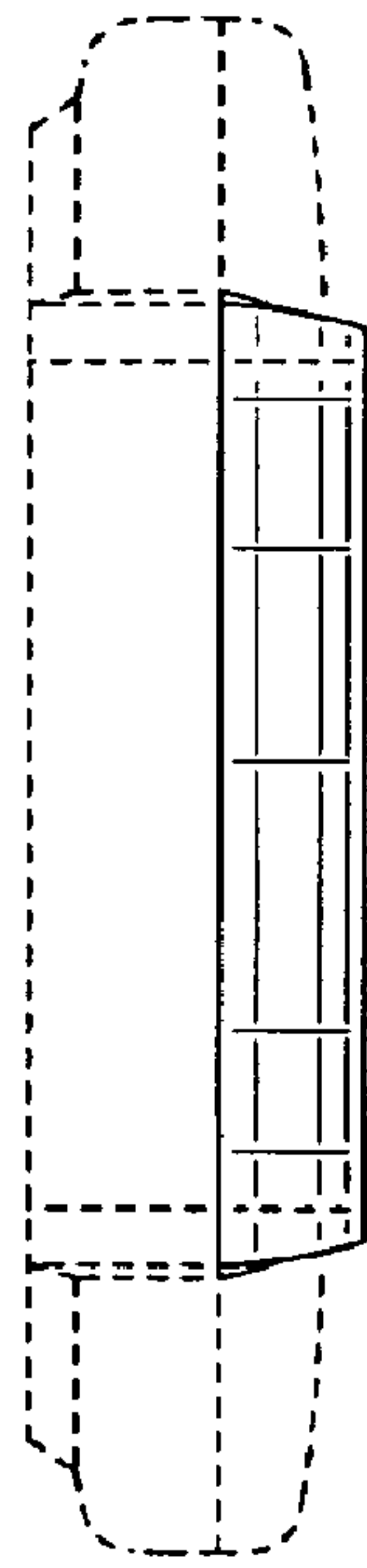


Fig.4

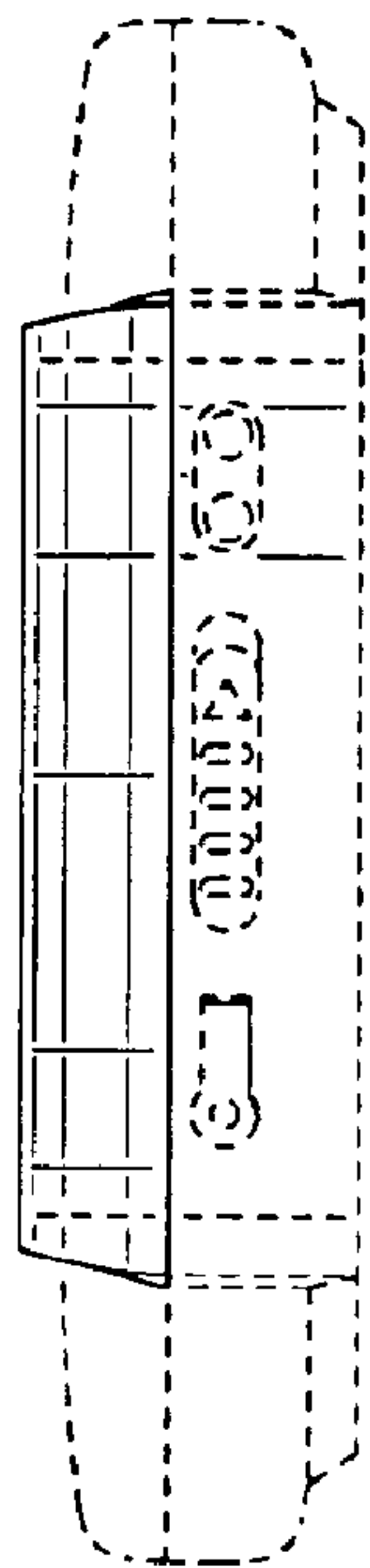


Fig.5

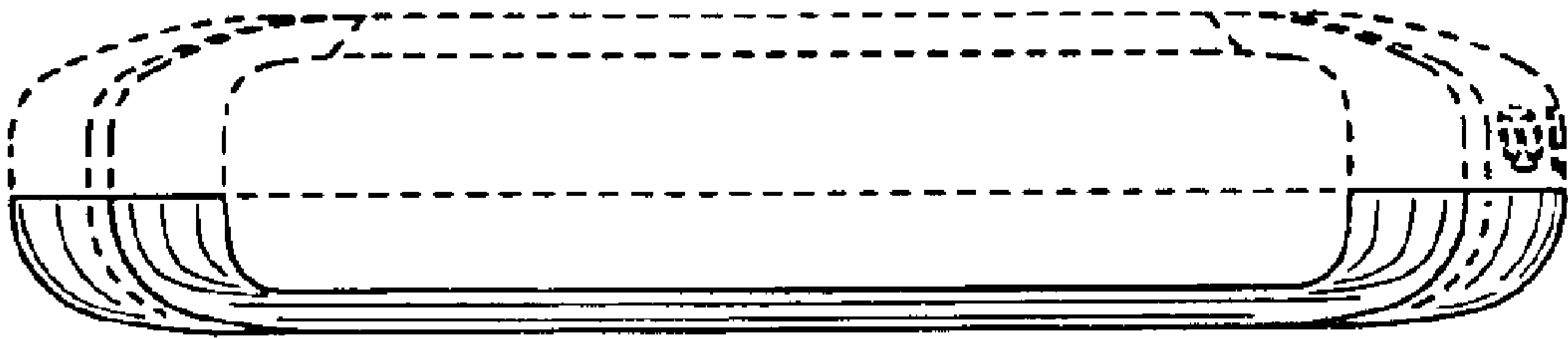


Fig.6

