

US00D503389S

(12) **United States Design Patent**
Dabrowski et al.

(10) **Patent No.: US D503,389 S**
(45) **Date of Patent: ** Mar. 29, 2005**

(54) **ELECTRICAL DEVICE HOUSING**
(75) Inventors: **Henryk J. Dabrowski**, Calgary (CA);
Mieczyslaw Bandura, Calgary (CA);
John D. Towler, Calgary (CA)

5,965,844 A * 10/1999 Lippa 174/49
D426,815 S * 6/2000 McGrane D13/184
6,279,768 B1 * 8/2001 Mendoza et al. 220/3.92
6,307,752 B1 * 10/2001 Howard et al. 361/752
6,678,163 B1 * 1/2004 Neal et al. 361/729
6,707,678 B2 * 3/2004 Kobayashi et al. 361/752

(73) Assignee: **Eaton Corporation**, Cleveland, OH
(US)

* cited by examiner

(**) Term: **14 Years**

Primary Examiner—Stella Reid
Assistant Examiner—Selina Sikder

(21) Appl. No.: **29/208,127**

(74) *Attorney, Agent, or Firm*—Martin J. Moran

(22) Filed: **Jun. 24, 2004**

(57) **CLAIM**

Related U.S. Application Data

The ornamental design for an electrical device housing, as shown and described.

(62) Division of application No. 29/169,263, filed on Oct. 16, 2002.

DESCRIPTION

(51) **LOC (7) Cl.** **13-03**
(52) **U.S. Cl.** **D13/184**
(58) **Field of Search** D13/184; 220/3.3,
220/3.8, 3.92; 174/17 R, 50, 50.52, 52.1,
58; 312/109, 263, 292, 293.1–293.3, 294;
361/600, 601, 622, 679, 686, 720, 724,
728, 748, 752, 796; 379/419, 428.01, 440,
441, 442; 429/27, 34

FIG. 1 is a front, top, and right side view of an electrical device housing showing our new design.
FIG. 2 shows a front view of FIG. 1.
FIG. 3 shows a left side view of FIG. 1.
FIG. 4 shows a rear view of FIG. 1.
FIG. 5 shows a right side view of FIG. 1.
FIG. 6 shows a top plan view of FIG. 1; and,
FIG. 7 shows a bottom plan view of FIG. 1.

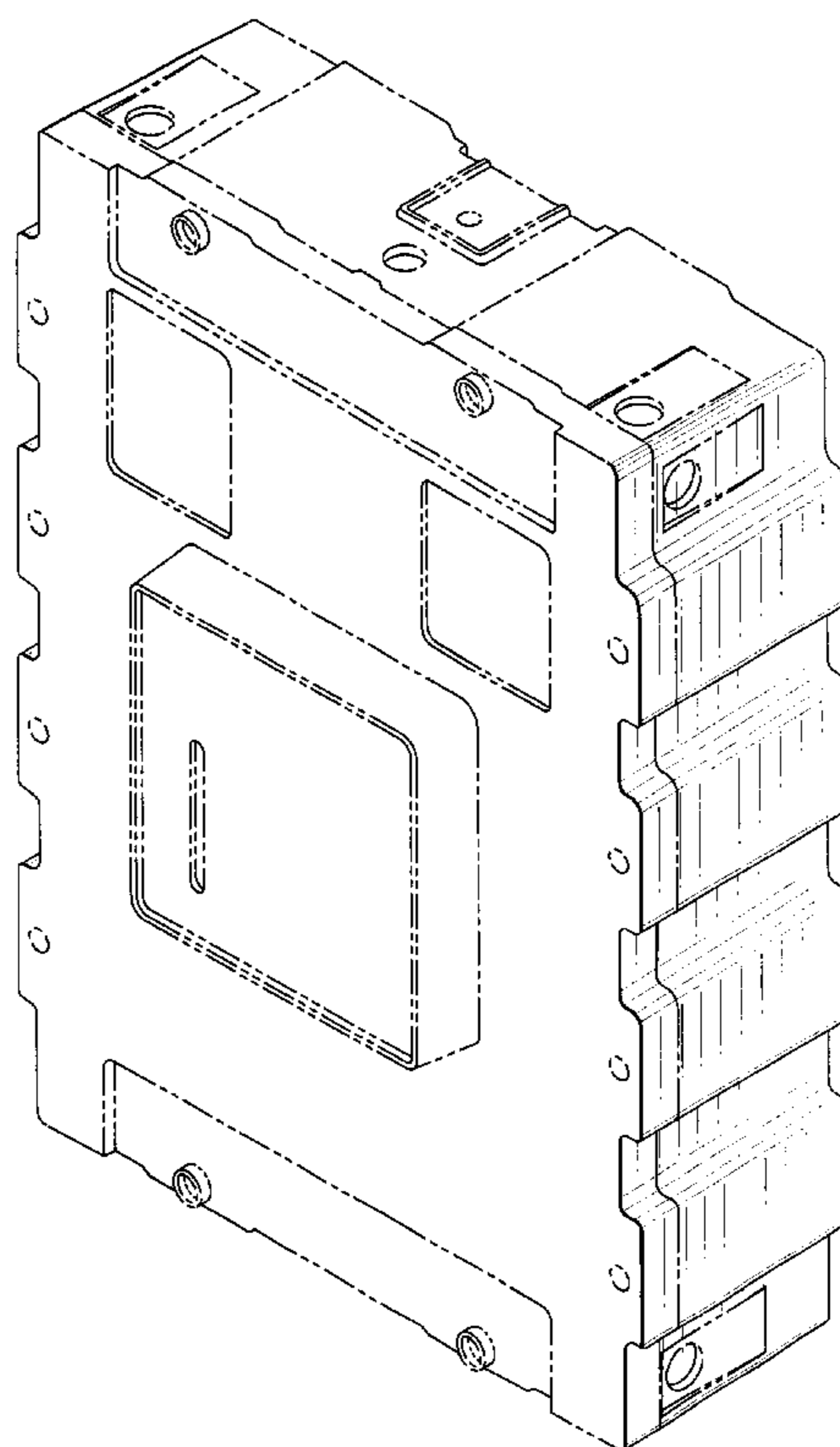
(56) **References Cited**

The broken line showing of the environment is for illustrative purpose only and forms no part of the claimed design.

U.S. PATENT DOCUMENTS

5,791,606 A * 8/1998 Blackburn 248/27.1

1 Claim, 4 Drawing Sheets



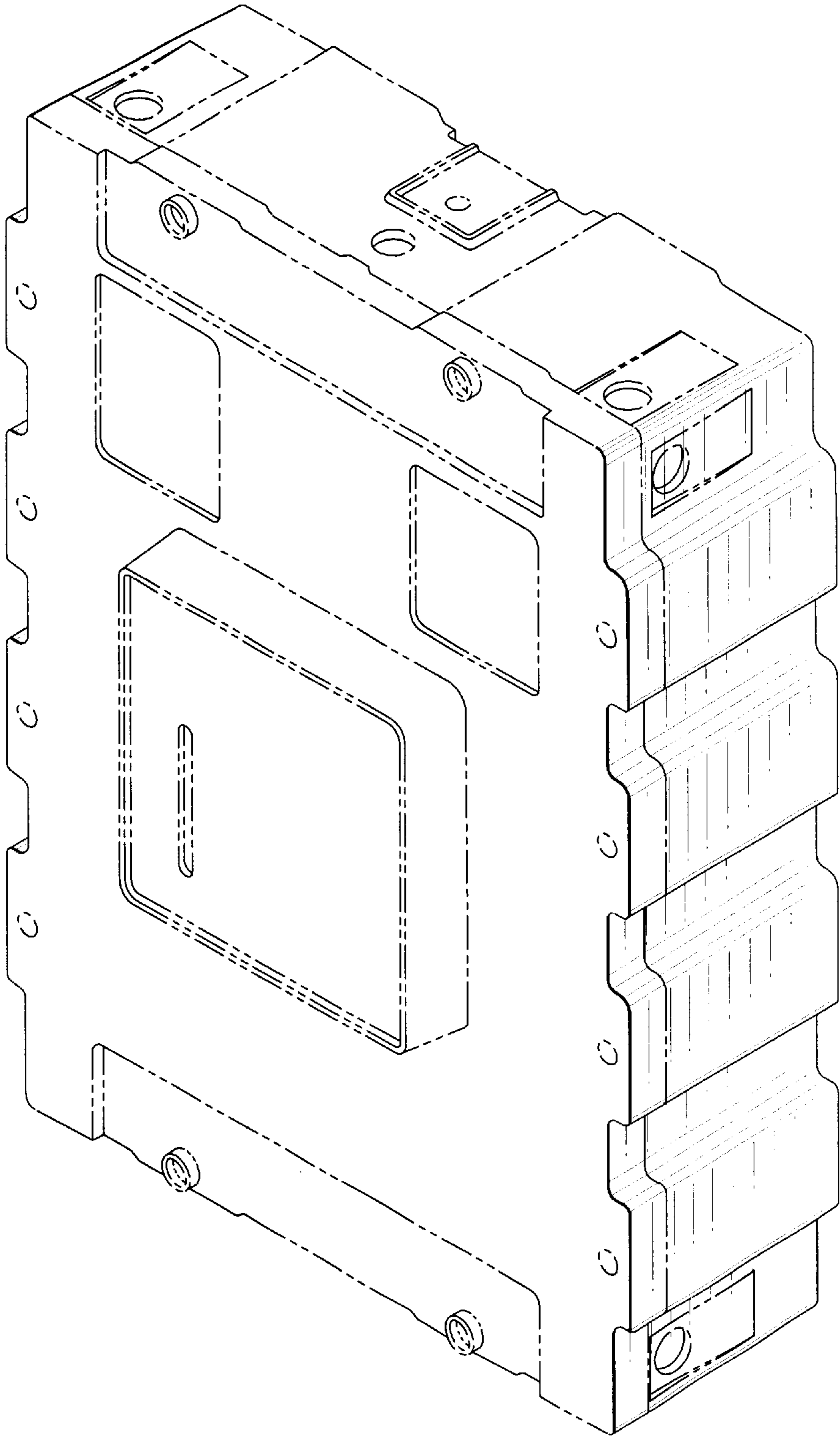


FIG. 1

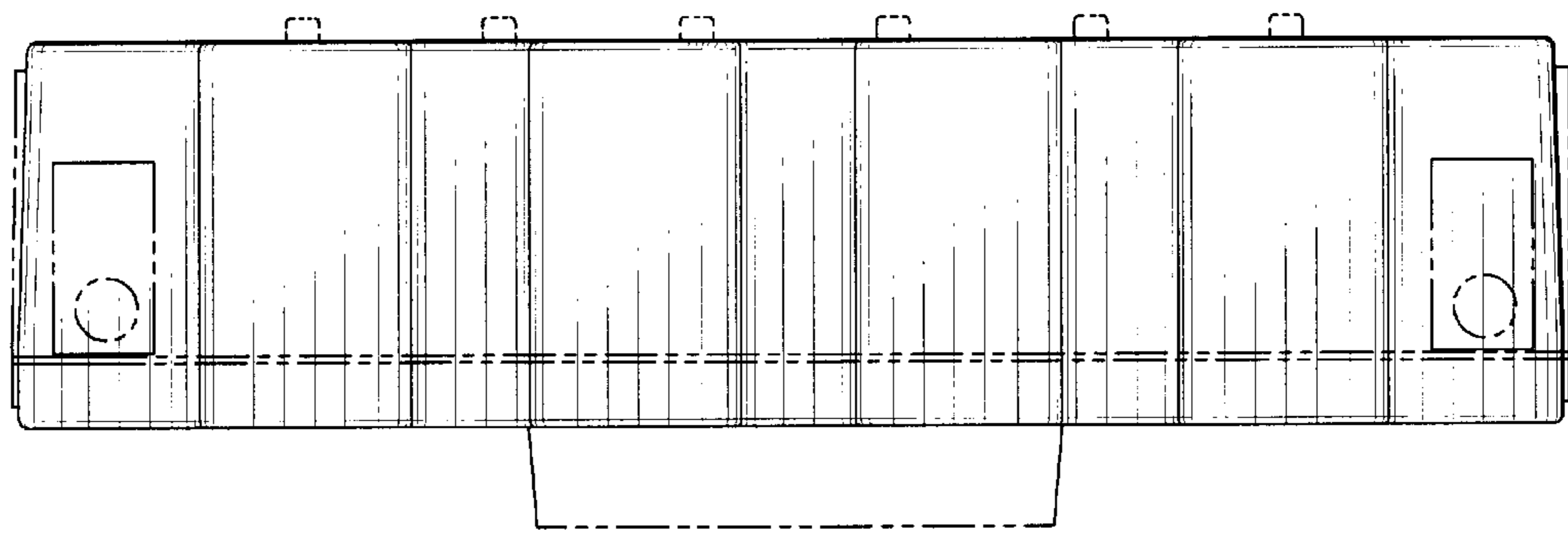


FIG. 3

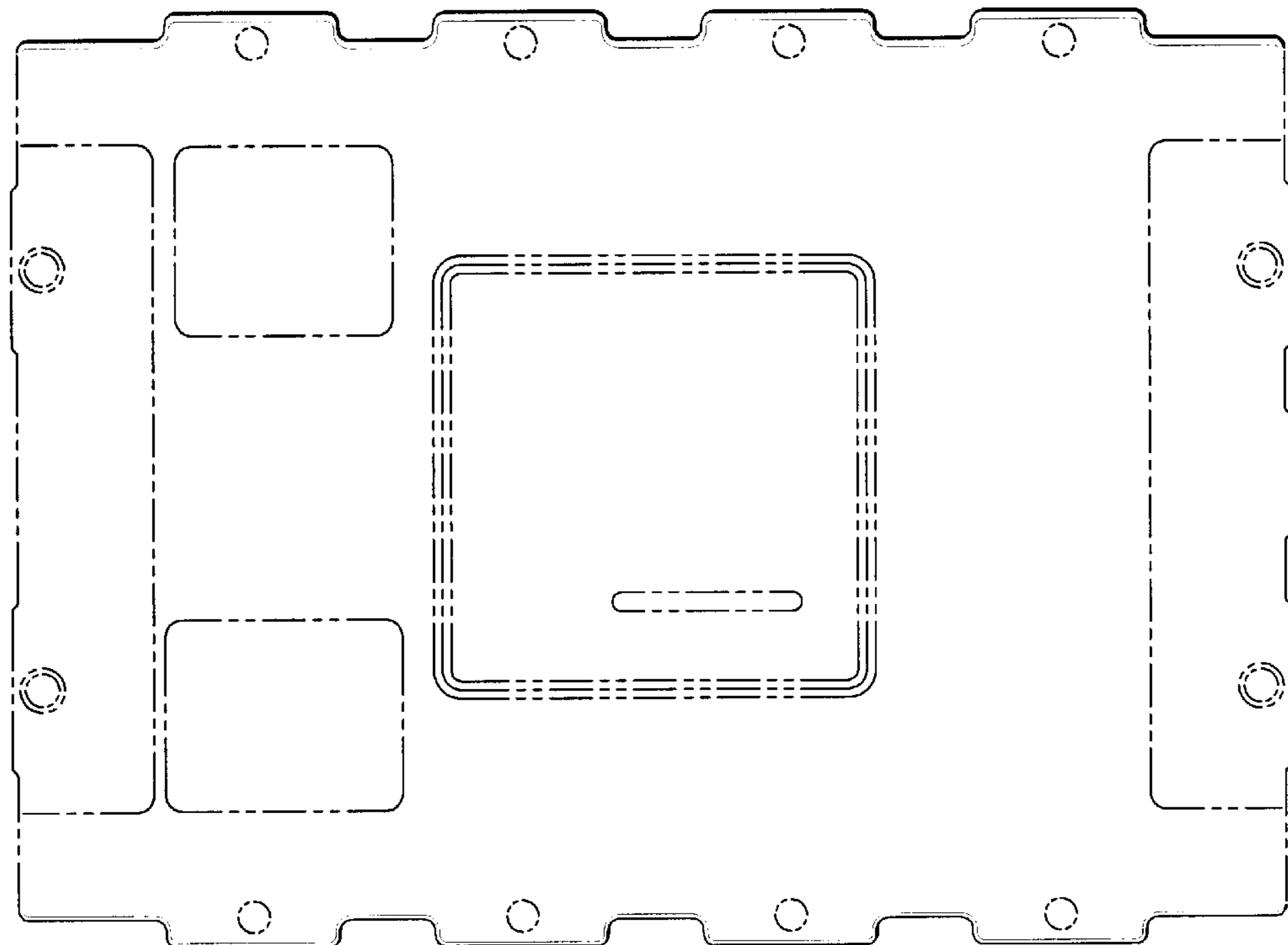


FIG. 2

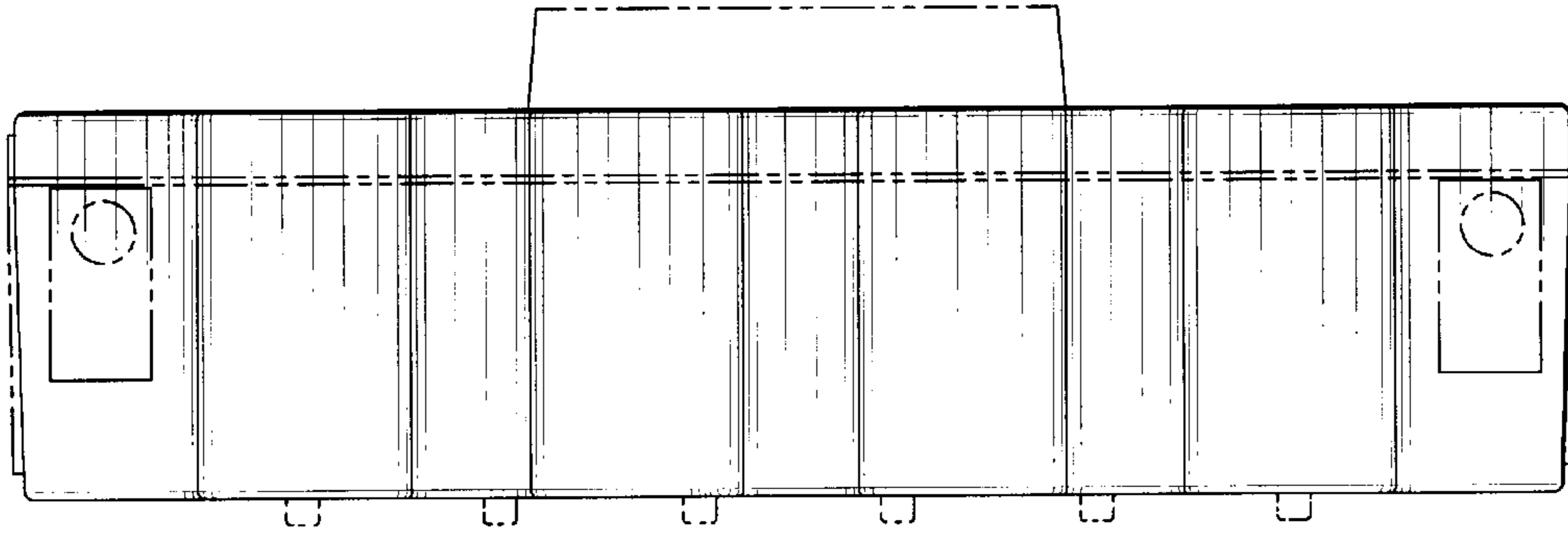


FIG. 5

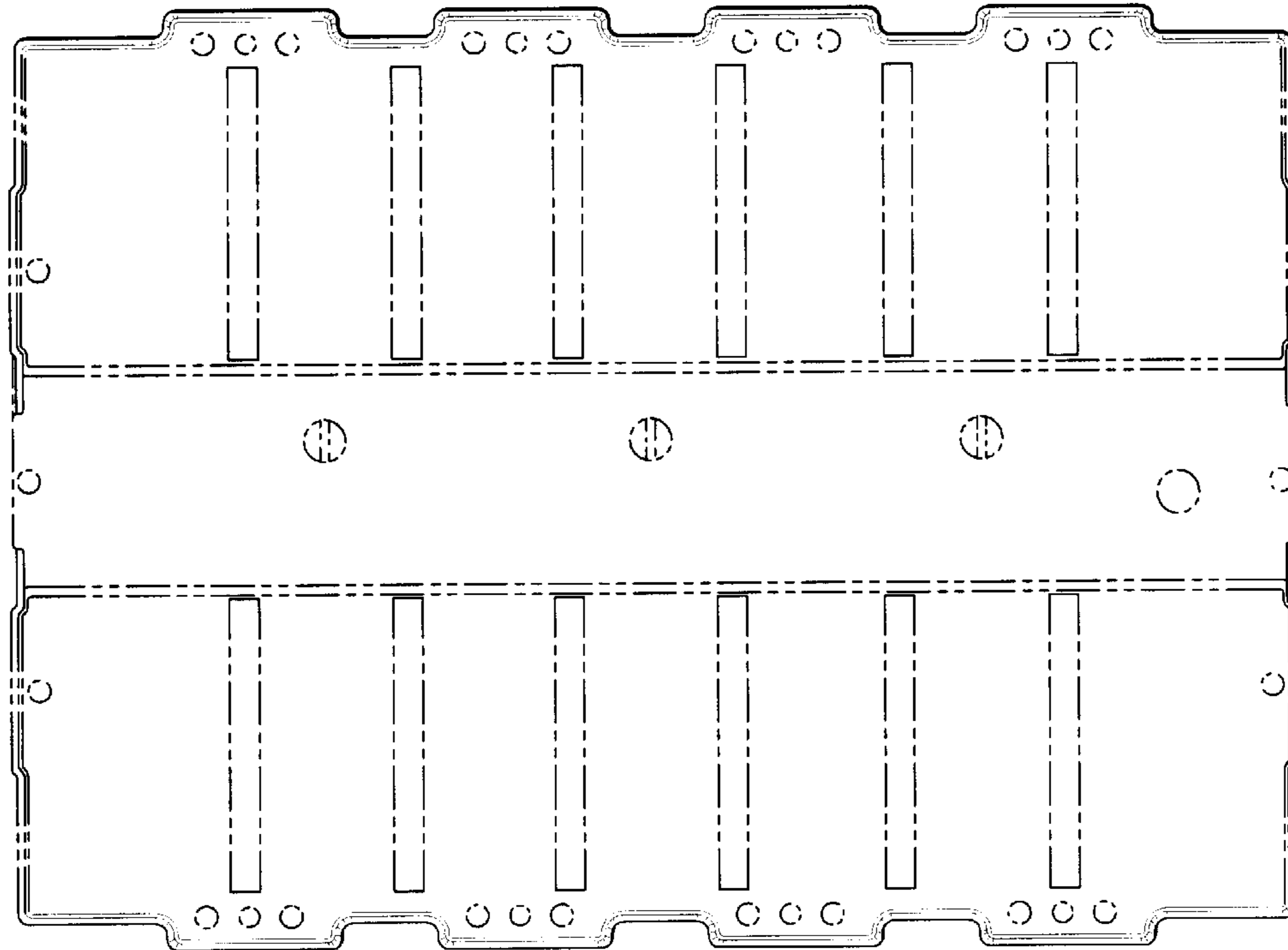


FIG. 4

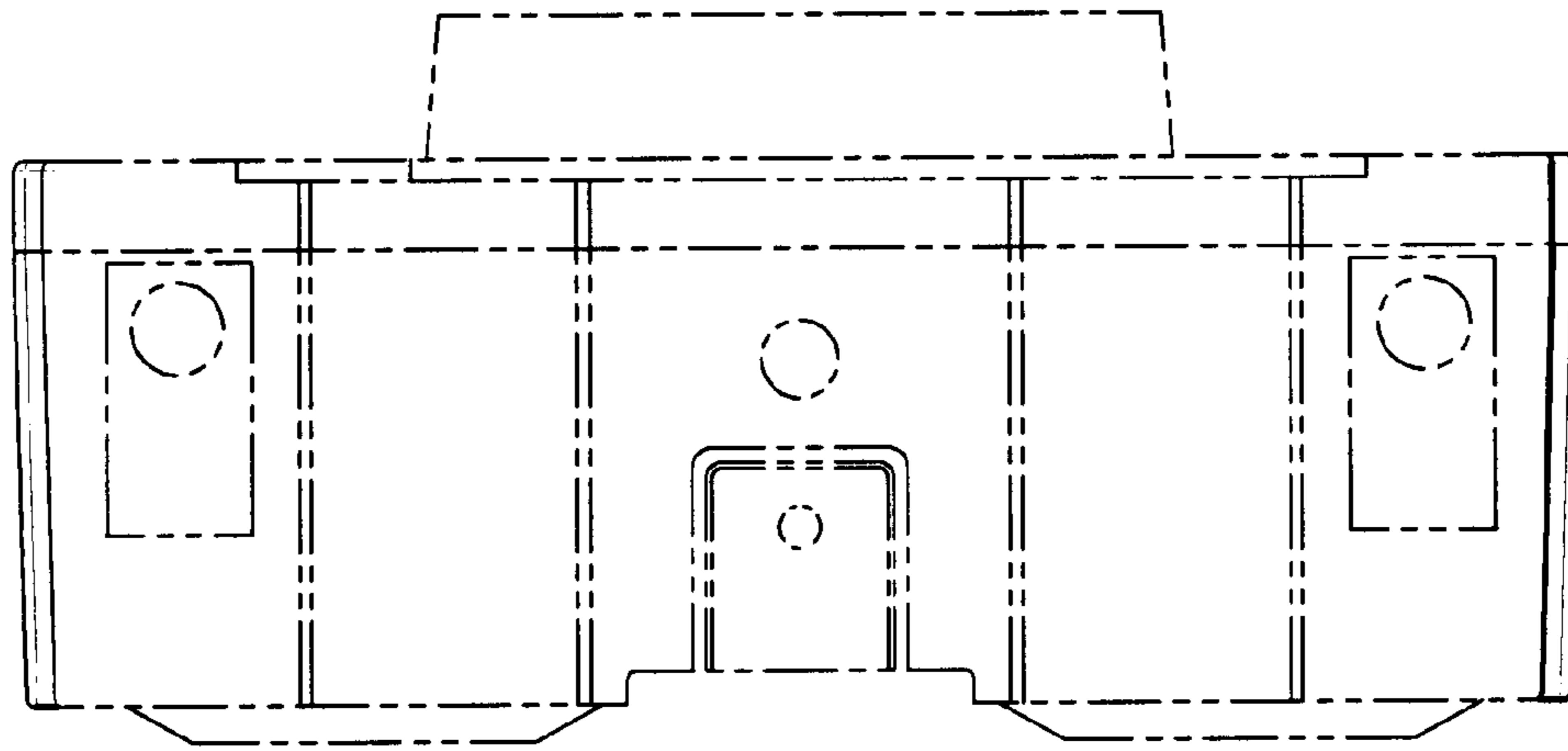


FIG. 6

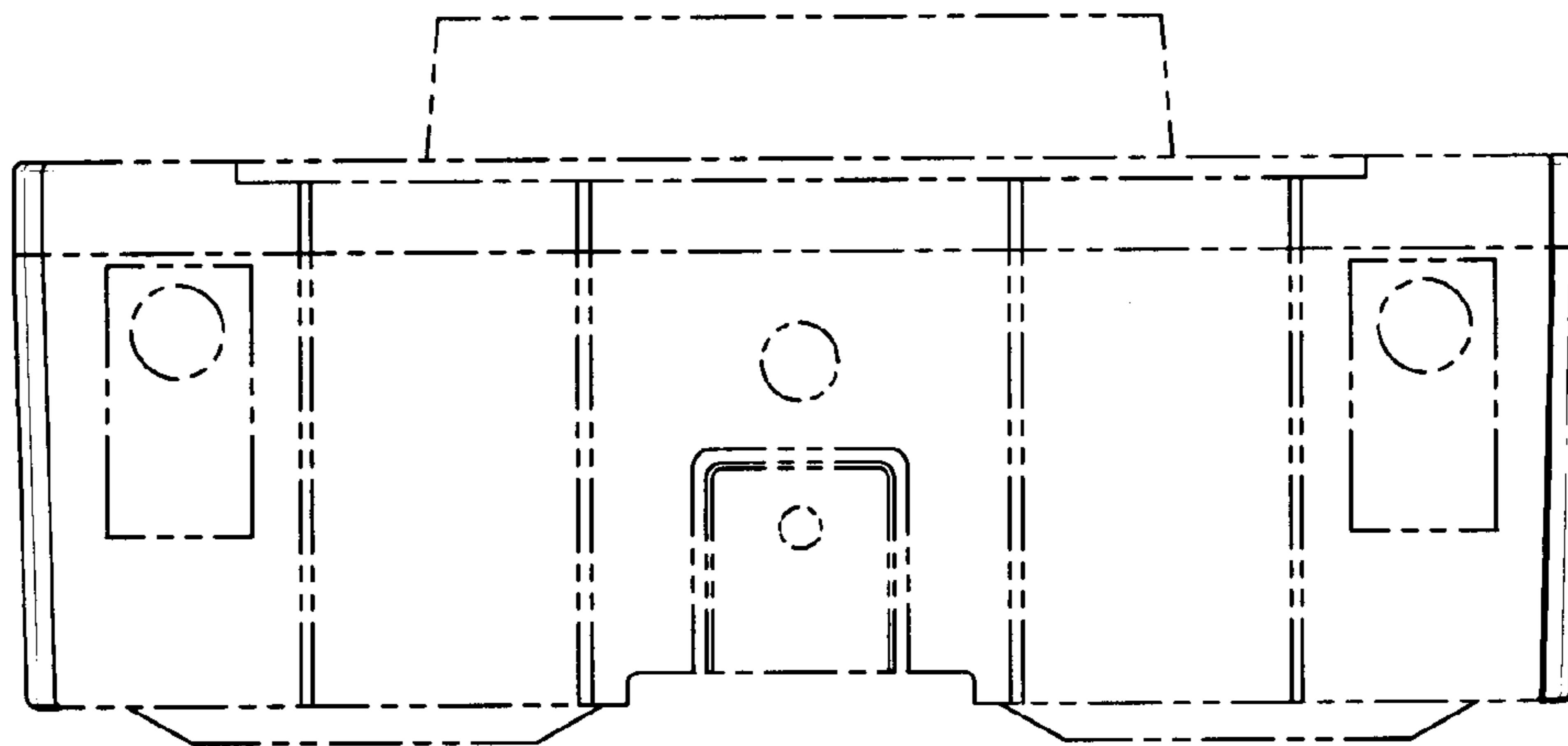


FIG. 7