

US00D503387S

(12) **United States Design Patent**
Barone

(10) **Patent No.:** **US D503,387 S**
(45) **Date of Patent:** **** Mar. 29, 2005**

- (54) **DECORATIVE ROCKER SWITCH**
- (75) **Inventor:** **Stephen Barone**, Dix Hills, NY (US)
- (73) **Assignee:** **Electro-Optic Technologies, LLC**, Dix Hills, NY (US)
- (**) **Term:** **14 Years**
- (21) **Appl. No.:** **29/183,867**
- (22) **Filed:** **Jun. 18, 2003**

- 4,404,468 A 9/1983 Kleinschmidt
- 4,420,688 A 12/1983 LeBars
- 4,429,223 A 1/1984 Wagli
- 4,429,224 A 1/1984 Wagli et al.
- 4,442,359 A 4/1984 Lederer
- 4,661,720 A 4/1987 Cameron, Jr. et al.
- 4,663,521 A 5/1987 Maile
- 4,768,020 A 8/1988 Chen
- 4,779,240 A 10/1988 Dorr
- 4,876,445 A 10/1989 McMaster
- 4,912,331 A 3/1990 Owers

(Continued)

Related U.S. Application Data

- (63) Continuation-in-part of application No. 09/830,594, filed on Jul. 18, 2001, now Pat. No. 6,690,018.
- (51) **LOC (7) Cl.** **13-03**
- (52) **U.S. Cl.** **D13/169; D13/174**
- (58) **Field of Search** D13/158, 167, D13/169, 170, 171, 174; 200/5 R, 5 A, 6 R, 553, 295, 296, 297, 303, 307, 315, 339, 416, 428, 469; 307/157; 337/66, 74

Primary Examiner—Stella Reid
Assistant Examiner—Selina Sikder
 (74) *Attorney, Agent, or Firm*—Carter, DeLuca, Farrell & Schmidt, LLP

(57) **CLAIM**

The ornamental design for a decorative rocker switch, as shown and described.

DESCRIPTION

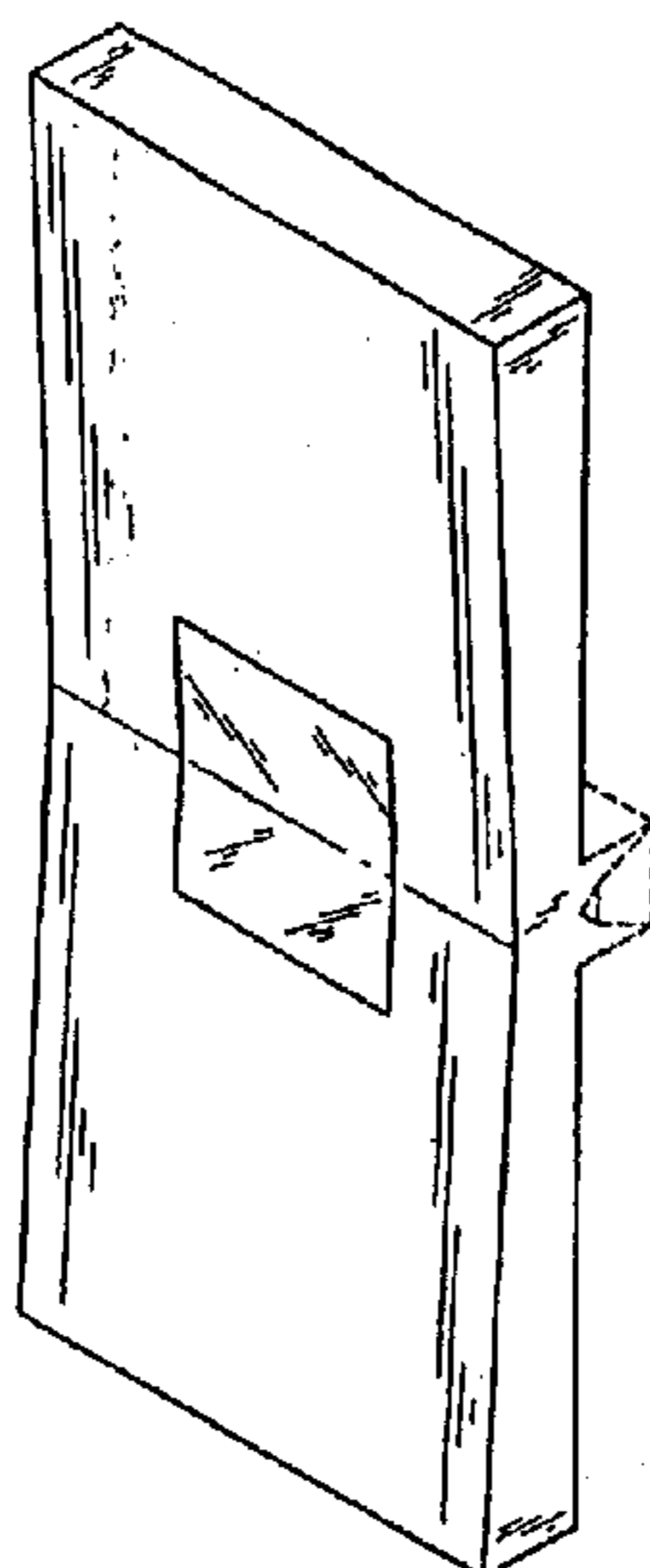
FIG. 1 is a perspective view of a decorative rocker switch having a window panel spanning a center line of the rocker; FIG. 2 is a top view of the decorative rocker switch of FIG. 1;
 FIG. 3 is a bottom view of the decorative rocker switch of FIG. 1;
 FIG. 4 is a side view of the decorative rocker switch of FIG. 1, the other side view being the same;
 FIG. 5 is a top end view of the decorative rocker switch of FIG. 1, the bottom end view being the same; and,
 FIG. 6 is a perspective view of the decorative rocker switch of FIG. 1 showing an intended environment in phantom. The broken lines showing of the environment is for illustrative purposes only and form no part of the claimed design.

(56) **References Cited**

U.S. PATENT DOCUMENTS

- D188,325 S 7/1960 Brown
- 3,036,219 A 5/1962 Thompson
- 3,524,180 A 8/1970 Cruse
- 3,631,434 A 12/1971 Schwarz
- D224,972 S 10/1972 Fujimoto
- 3,703,718 A 11/1972 Berman
- D234,774 S 4/1975 Handel
- 3,886,360 A 5/1975 Reiss et al.
- 3,958,118 A 5/1976 Schwarz
- 4,122,427 A 10/1978 Karsh
- D256,011 S 7/1980 Matsuda
- 4,221,941 A * 9/1980 Genovese 200/457
- 4,321,594 A 3/1982 Galvin et al.
- 4,342,987 A 8/1982 Rossin

1 Claim, 2 Drawing Sheets



US D503,387 S

Page 2

U.S. PATENT DOCUMENTS

4,978,843 A	12/1990	Yamakama		5,640,143 A	6/1997	Myron et al.	
5,189,393 A	2/1993	Hu		5,915,332 A	6/1999	Young et al.	
5,213,204 A *	5/1993	Sommer 200/303	5,929,445 A	7/1999	Barone	
5,266,807 A	11/1993	Neiger		5,934,451 A *	8/1999	Yu et al. 200/315
5,308,985 A	5/1994	Lee		6,005,308 A *	12/1999	Bryde et al. 307/157
5,491,467 A	2/1996	Tracy et al.		6,198,061 B1 *	3/2001	Amari 200/310
5,560,475 A *	10/1996	Brundage et al. 200/315	D472,525 S *	4/2003	Barone D13/169
5,584,381 A *	12/1996	Brundage et al. 200/315	6,586,694 B2 *	7/2003	Shotey et al. 200/333

* cited by examiner

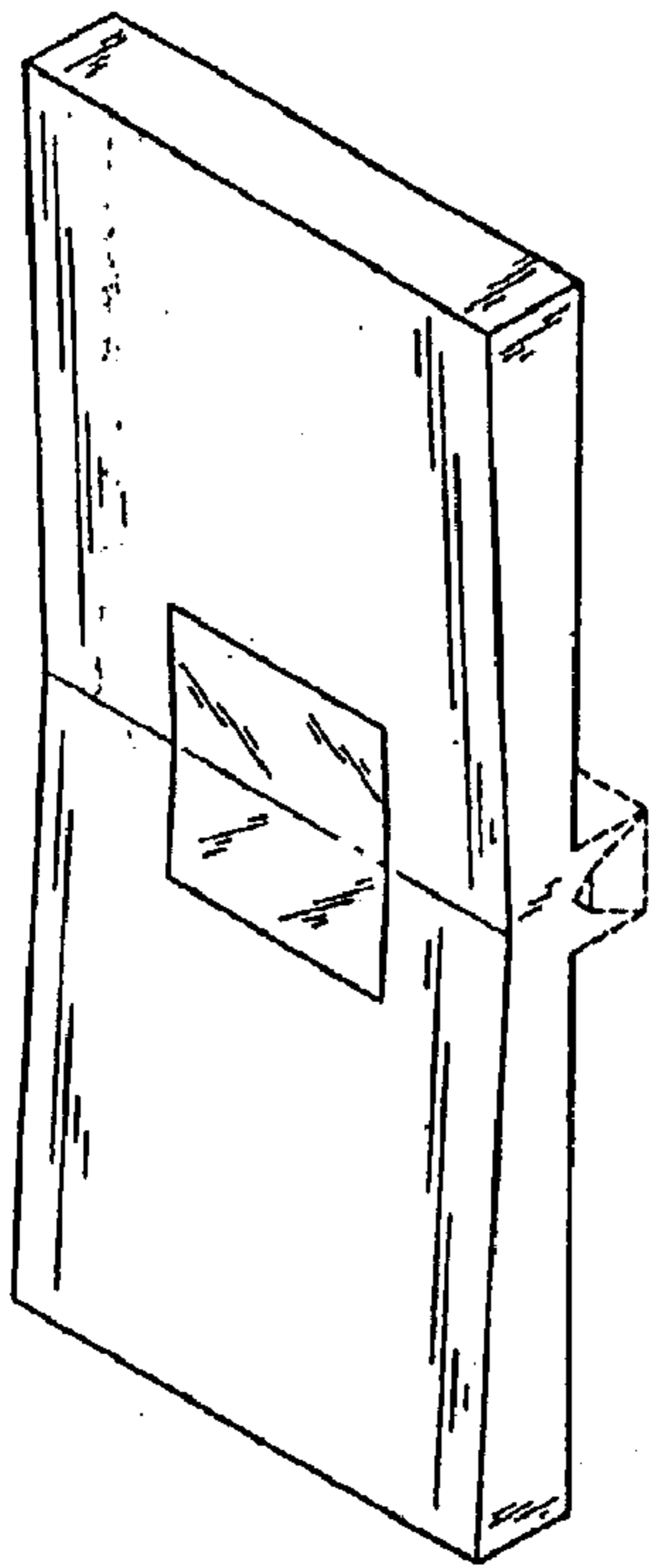


FIG. 1

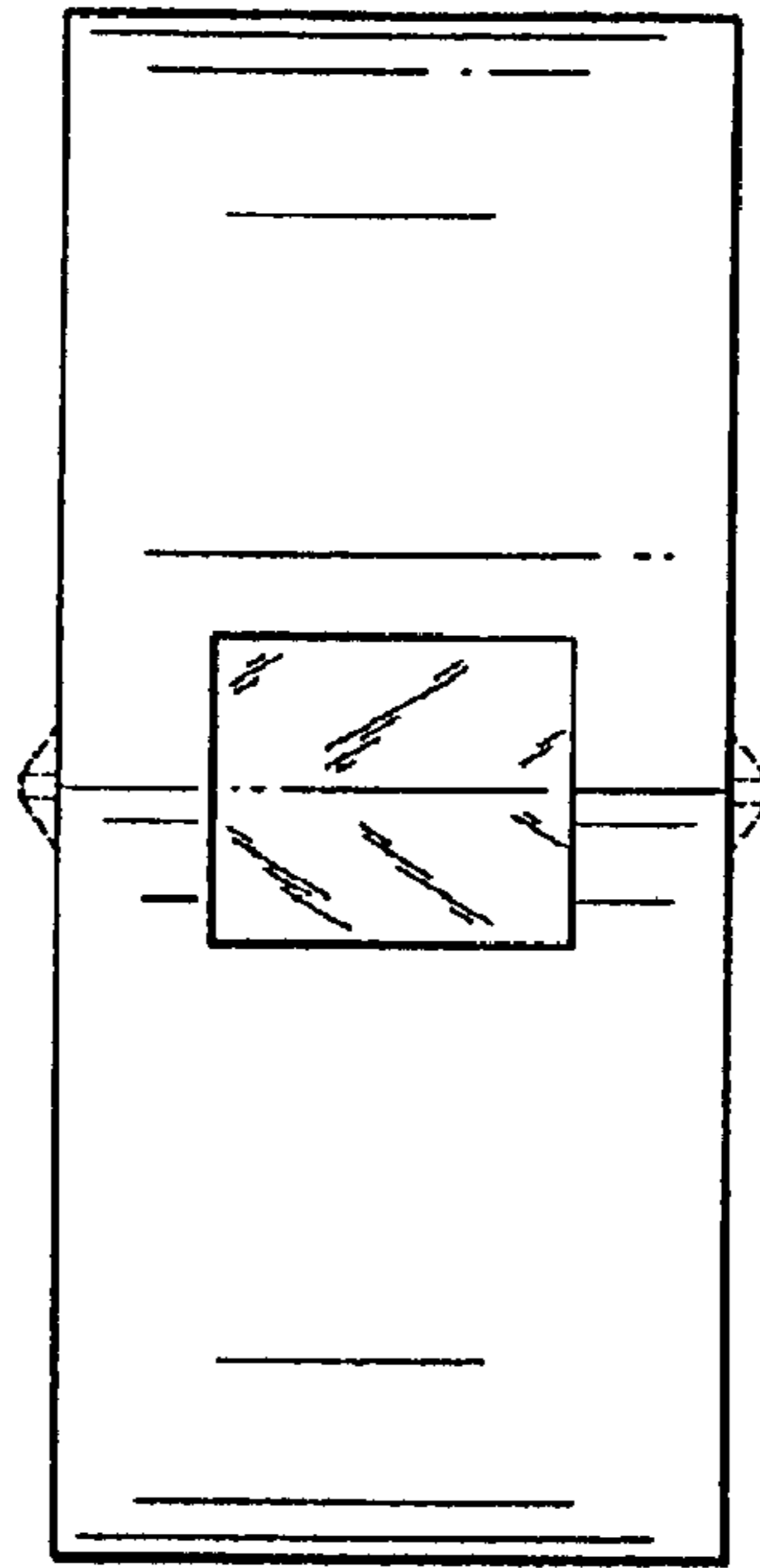


FIG. 2

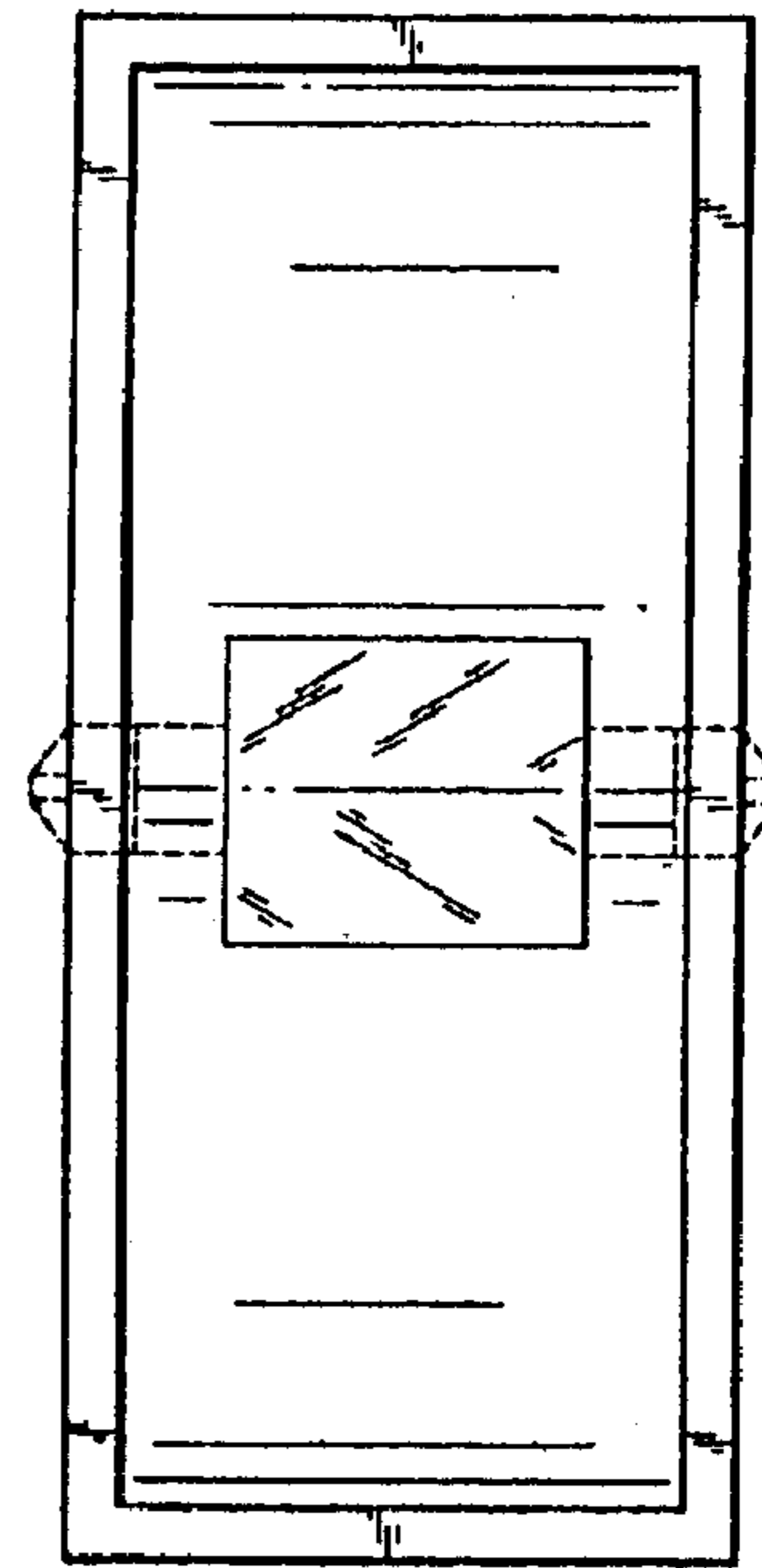


FIG. 3



FIG. 4

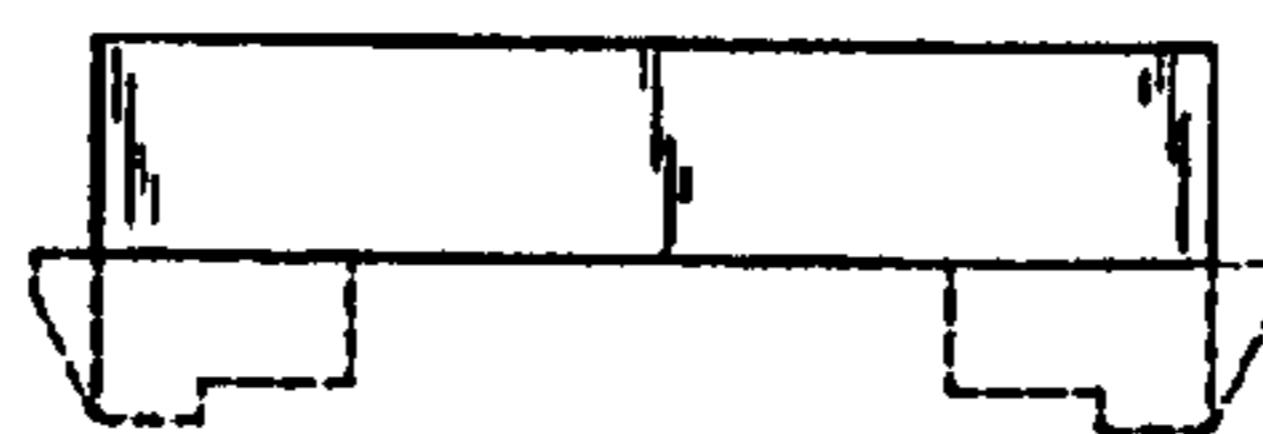


FIG. 5

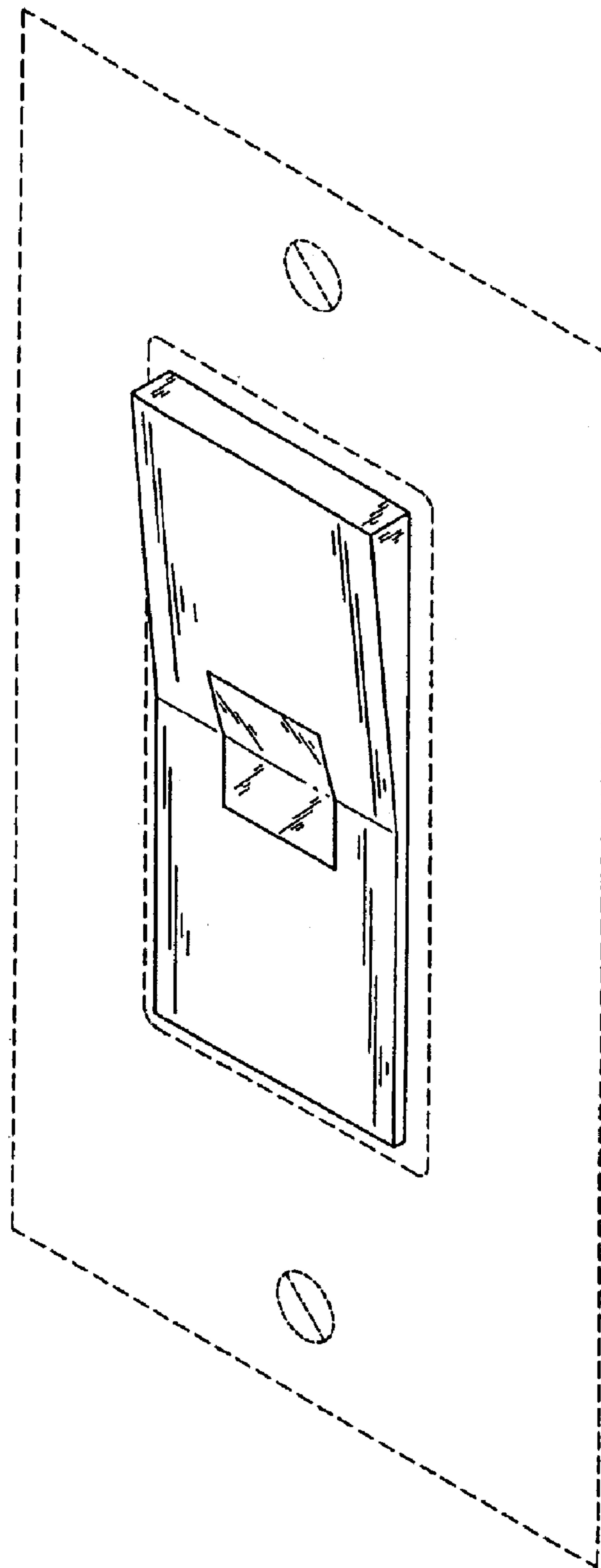


FIG. 6