

US00D503385S

(12) **United States Design Patent**
Hosokawa

(10) **Patent No.:** **US D503,385 S**

(45) **Date of Patent:** **** Mar. 29, 2005**

(54) **OPTOELECTRONIC CONVERTING CONNECTOR PLUG FOR OPTICAL FIBERS**

(75) **Inventor:** **Tadaaki Hosokawa, Yokohama (JP)**

(73) **Assignee:** **Kabushiki Kaisha Toshiba (JP)**

(**) **Term:** **14 Years**

(21) **Appl. No.:** **29/182,232**

(22) **Filed:** **May 23, 2003**

(30) **Foreign Application Priority Data**

Nov. 28, 2002 (JP) 2002-032882
Nov. 28, 2002 (JP) 2002-032883

(51) **LOC (7) Cl.** **13-03**

(52) **U.S. Cl.** **D13/147**

(58) **Field of Search** **D13/147, 123, D13/133, 146, 184, 199; 385/53, 76-78, 89, 139; 439/75, 577, 578-585, 606-607, 668-669**

(56) **References Cited**

U.S. PATENT DOCUMENTS

3,315,217 A * 4/1967 Bird 439/630
4,427,879 A * 1/1984 Becher et al. 250/215
4,756,593 A * 7/1988 Koakutsu et al. 385/139
4,913,662 A * 4/1990 Noy 439/498
4,979,787 A * 12/1990 Lichtenberger 385/88
5,973,928 A * 10/1999 Blasi et al. 361/760
6,290,527 B1 * 9/2001 Takaya et al. 439/352
6,648,520 B2 * 11/2003 McDonald et al. 385/78
6,737,863 B2 * 5/2004 Aoki et al. 324/207.25

OTHER PUBLICATIONS

Denpa Shimbun, Mar. 15, 2002.
Fujitsu Quantum Devices Limited, FRM5J141GW, dated Oct. 23, 2002.

* cited by examiner

Primary Examiner—Stella Reid

Assistant Examiner—Daniel Bui

(74) *Attorney, Agent, or Firm*—Banner & Witcoff, Ltd.

(57) **CLAIM**

The ornamental design for an optoelectronic converting connector plug for optical fibers, as shown and described.

DESCRIPTION

FIG. 1 is a front, top and right side perspective view of an optoelectronic converting connector plug for optical fibers, showing my new design;

FIG. 2 is a front elevational view thereof;

FIG. 3 is a rear elevational view thereof;

FIG. 4 is a right side elevational view thereof; the opposite side being a mirror image thereof;

FIG. 5 is a top plan view thereof;

FIG. 6 is a bottom plan view thereof;

FIG. 7 is a front, top and right side perspective view of a second embodiment of an optoelectronic converting connector plug for optical fibers;

FIG. 8 is a front elevational view thereof;

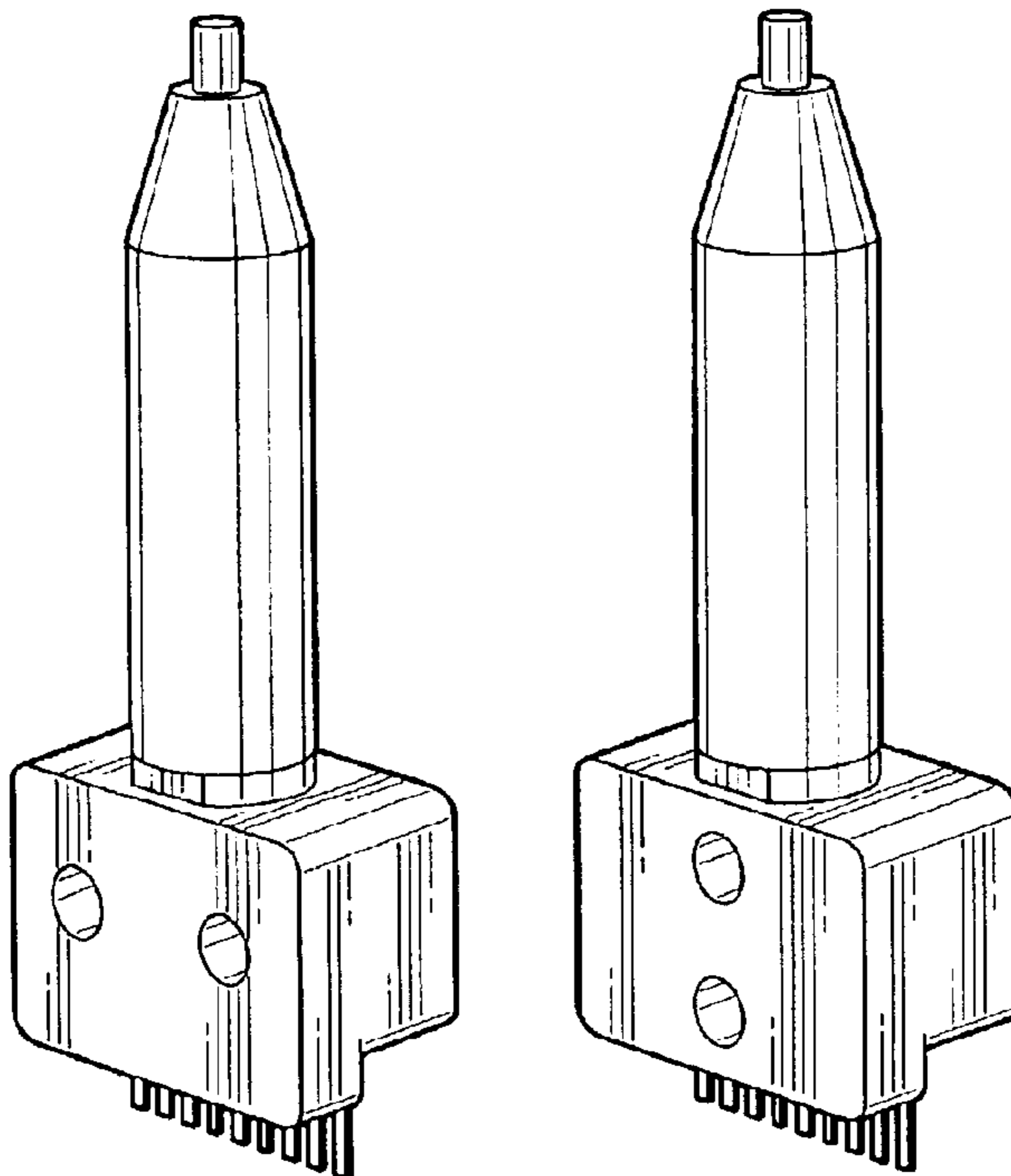
FIG. 9 is a rear elevational view thereof;

FIG. 10 is a right side elevational view thereof; the opposite side being a mirror image thereof;

FIG. 11 is a top plan view thereof; and,

FIG. 12 is a bottom plan view thereof.

1 Claim, 2 Drawing Sheets



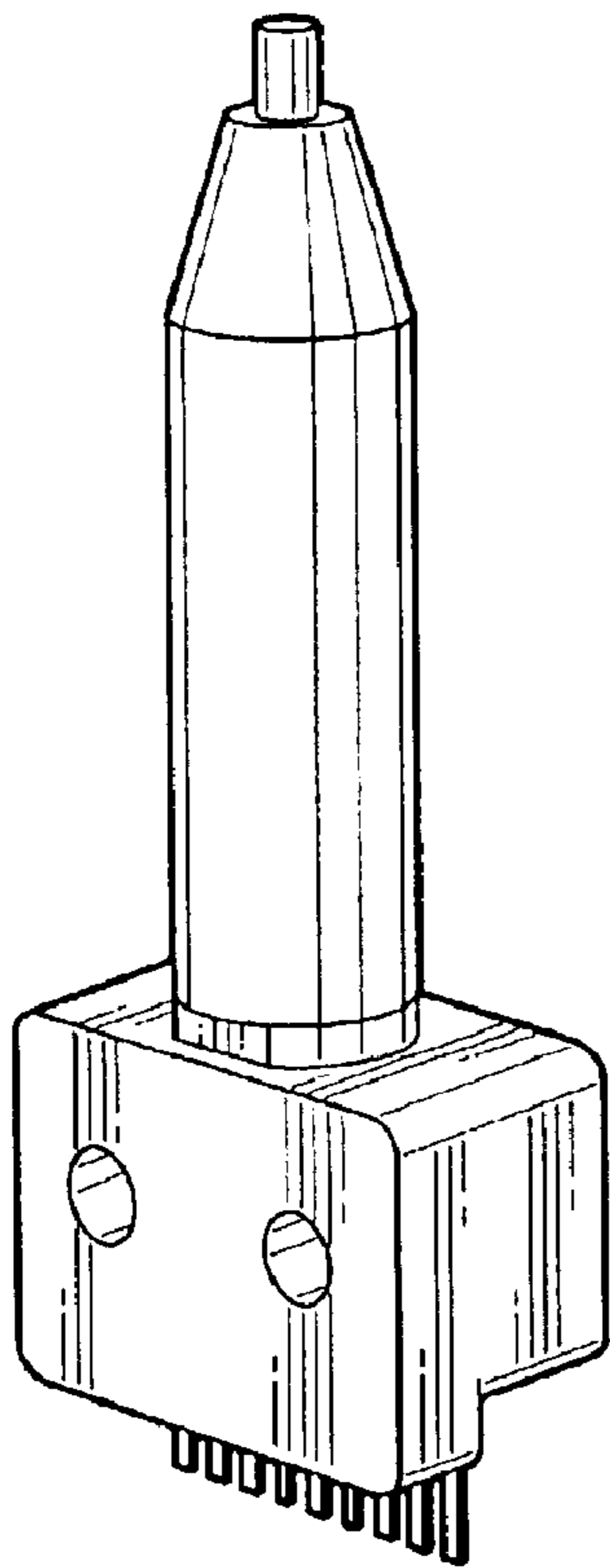


FIG. 1

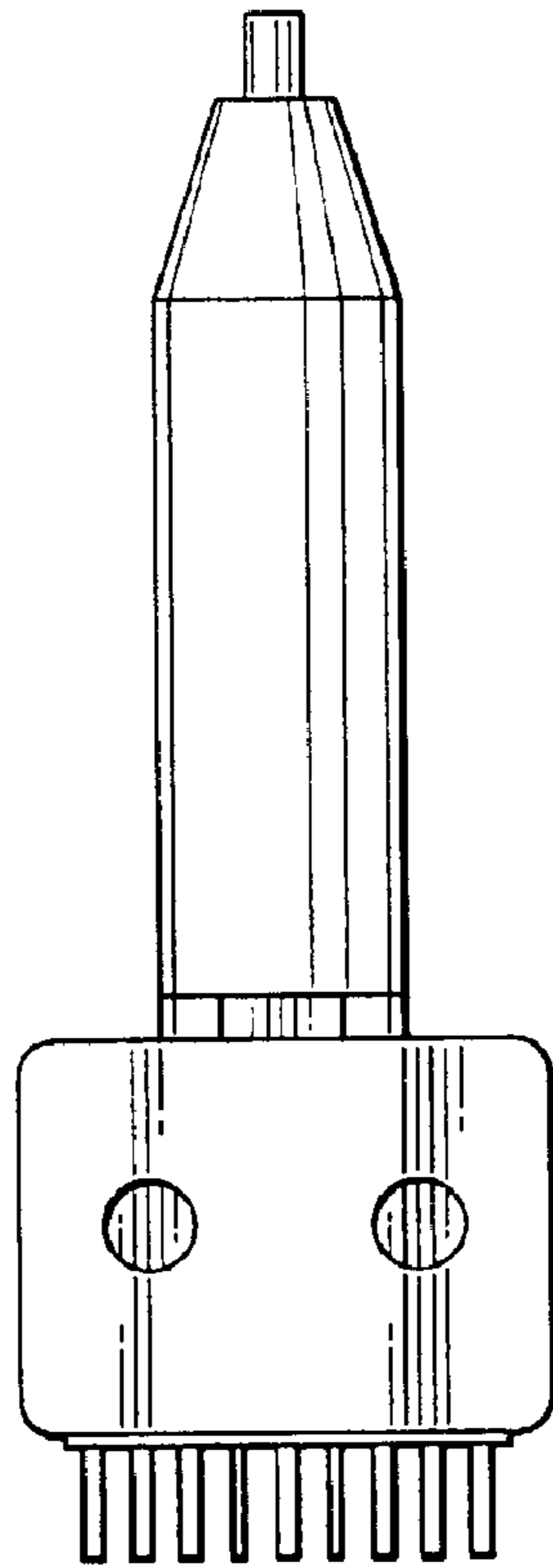


FIG. 2

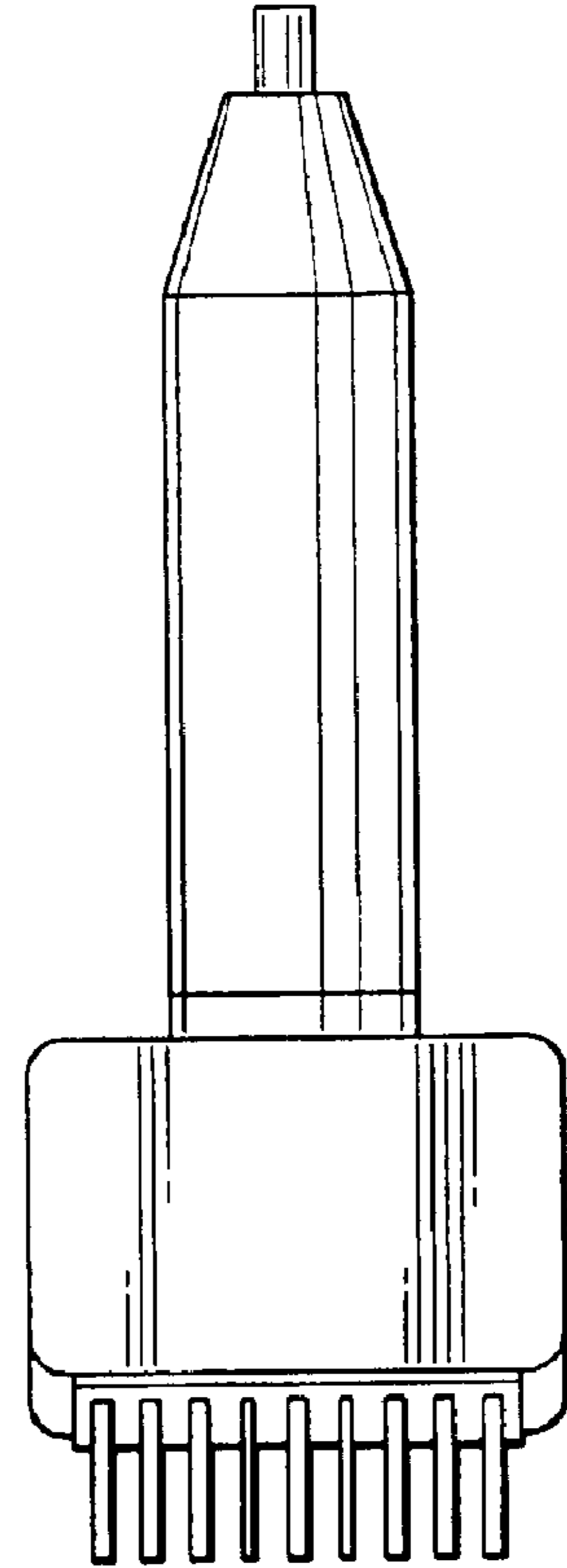


FIG. 3

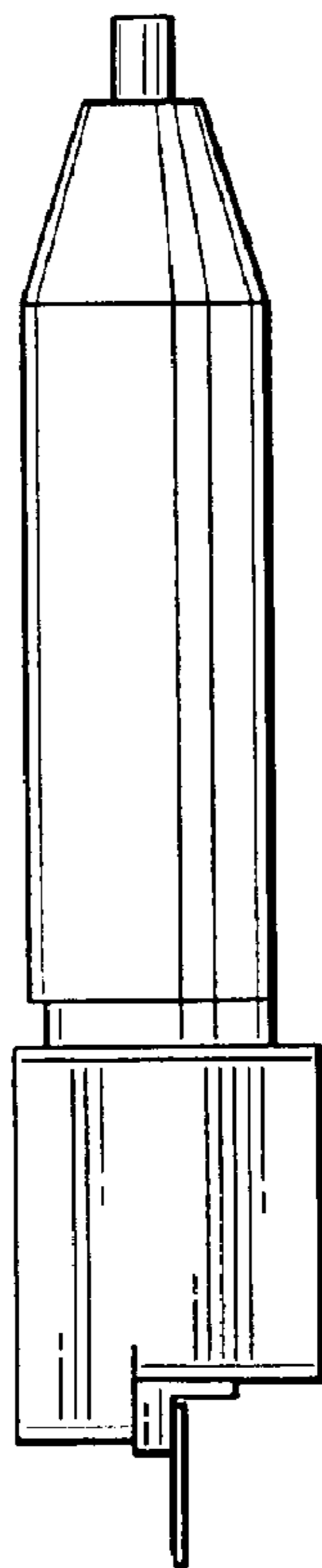


FIG. 4

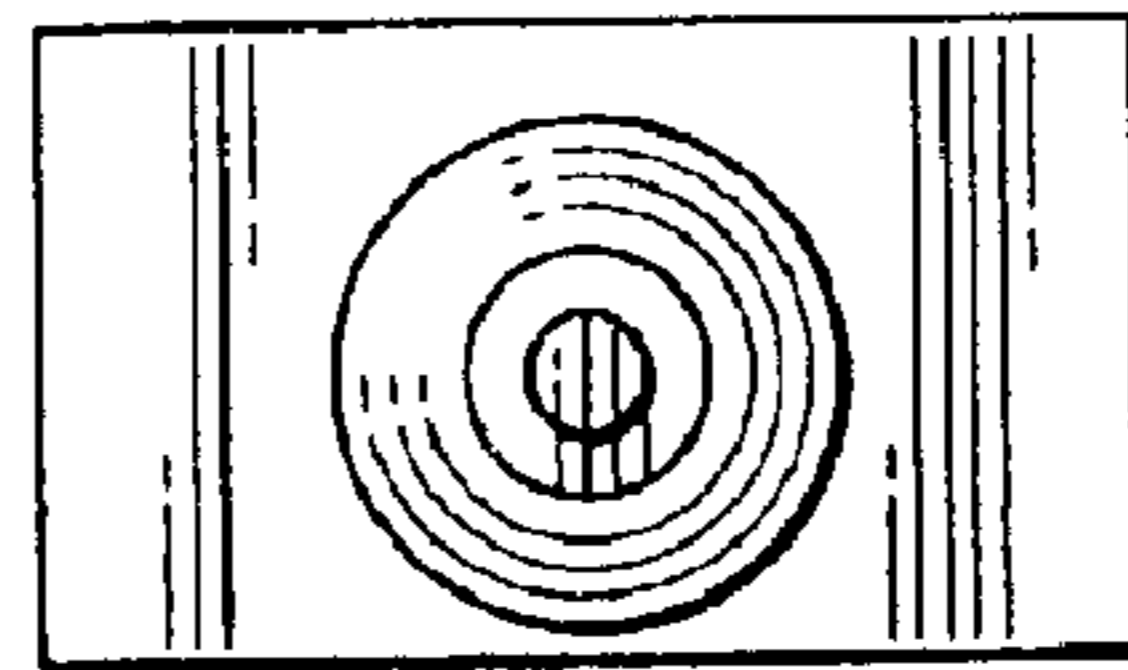


FIG. 5

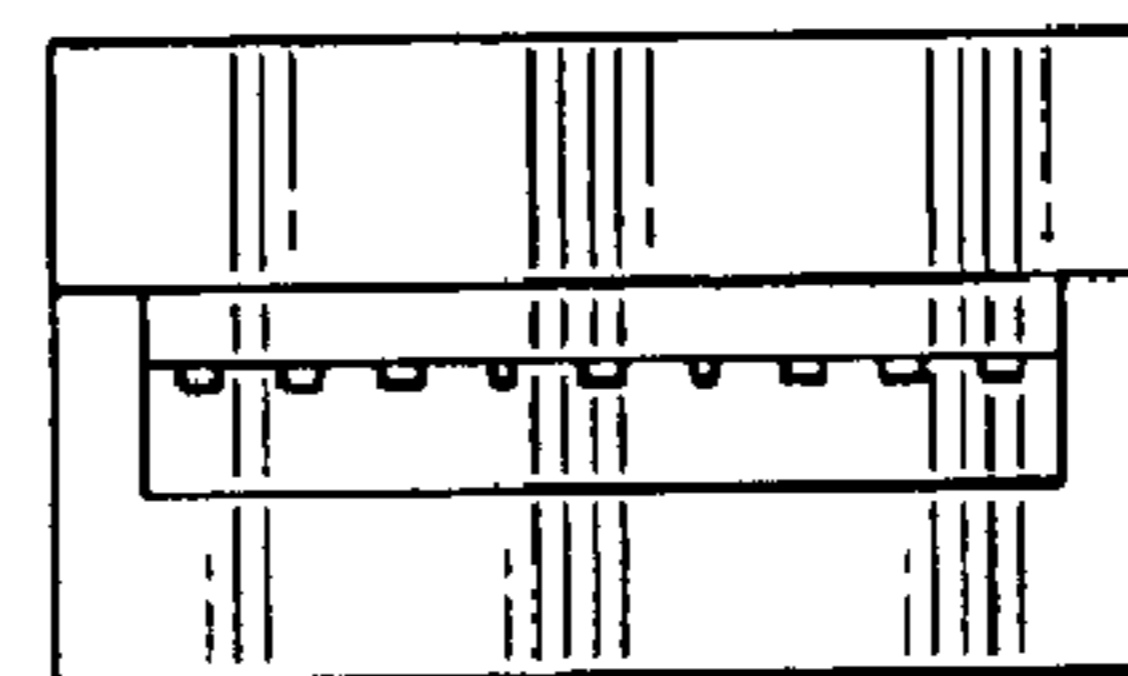


FIG. 6

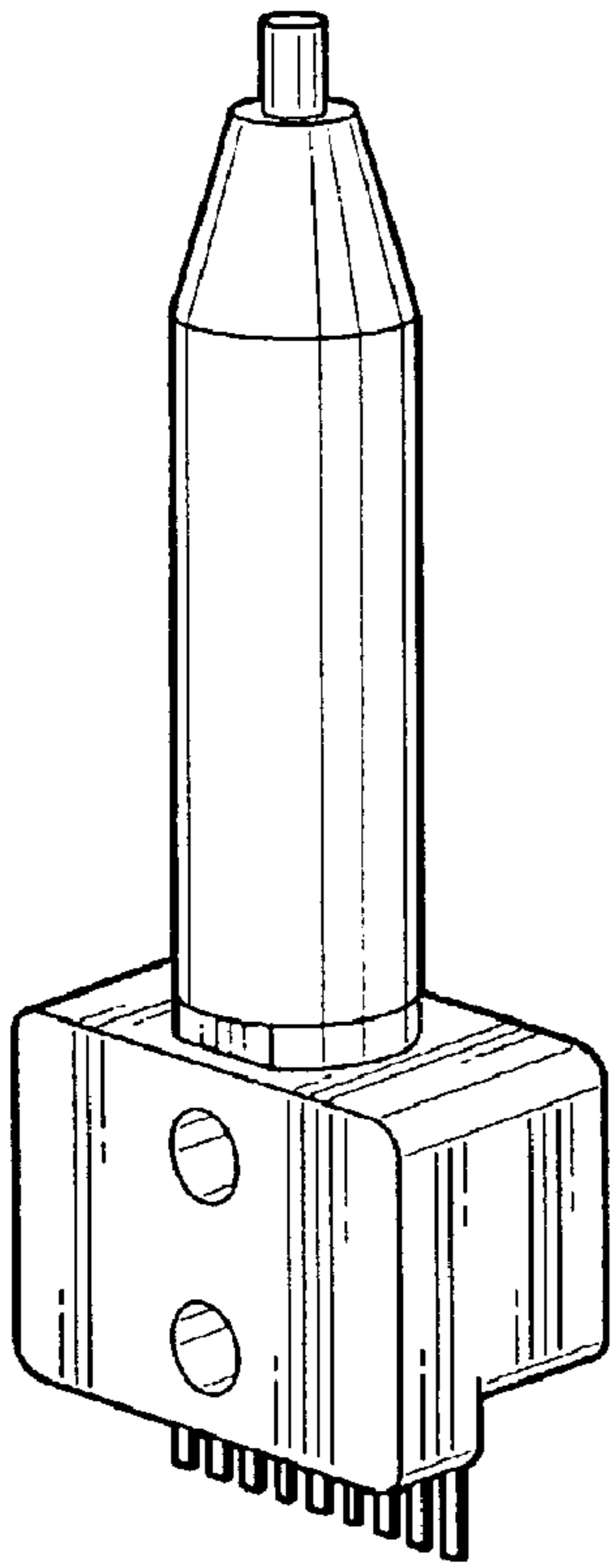


FIG. 7

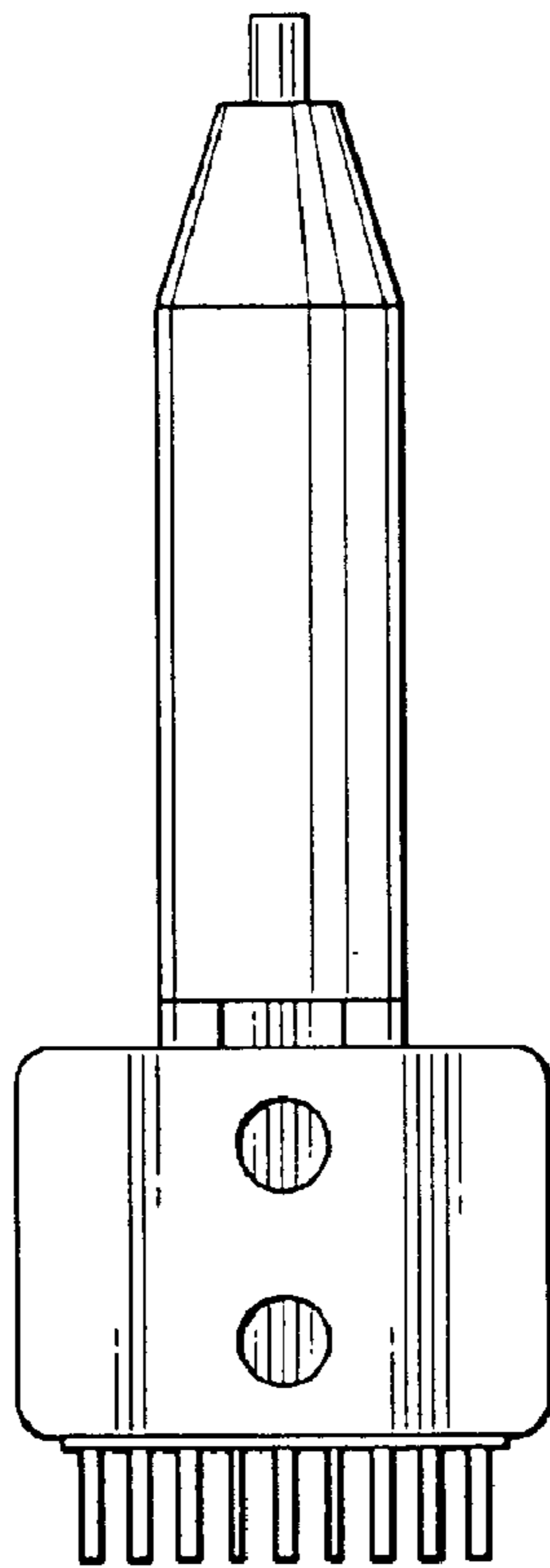


FIG. 8

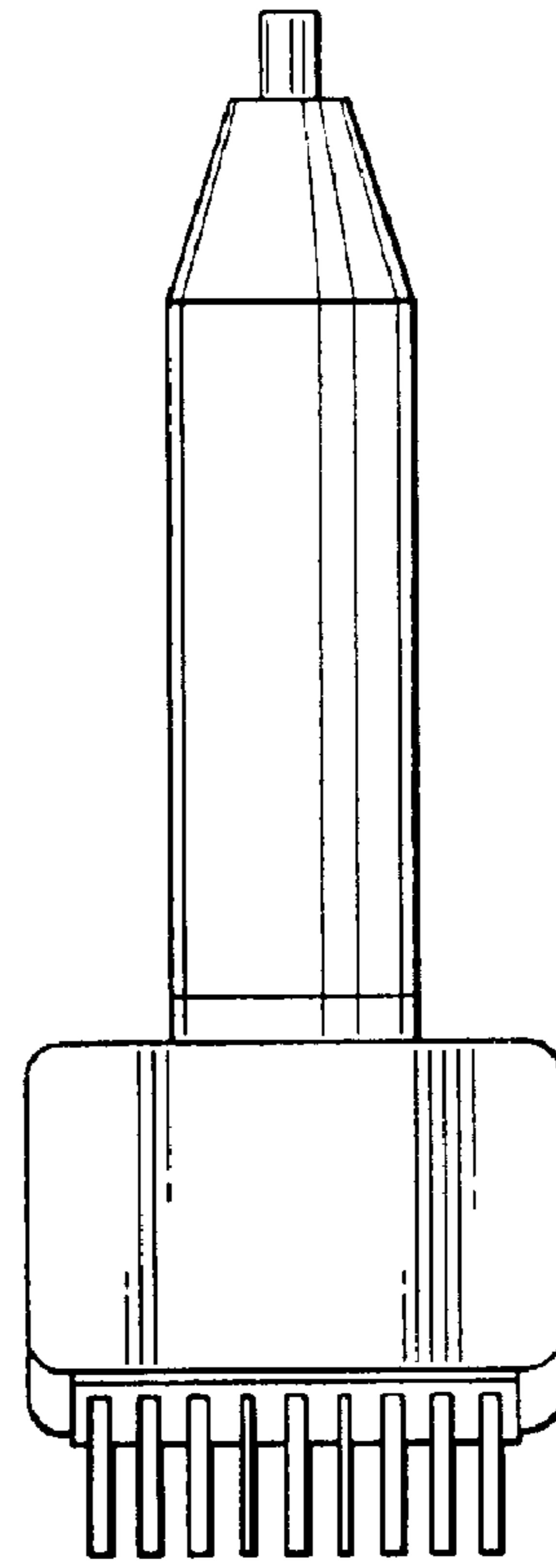


FIG. 9

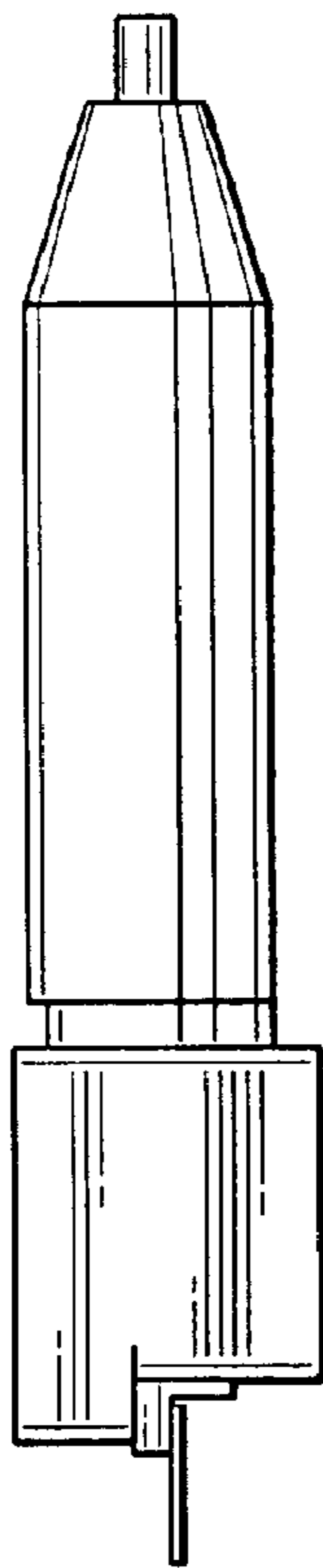


FIG. 10

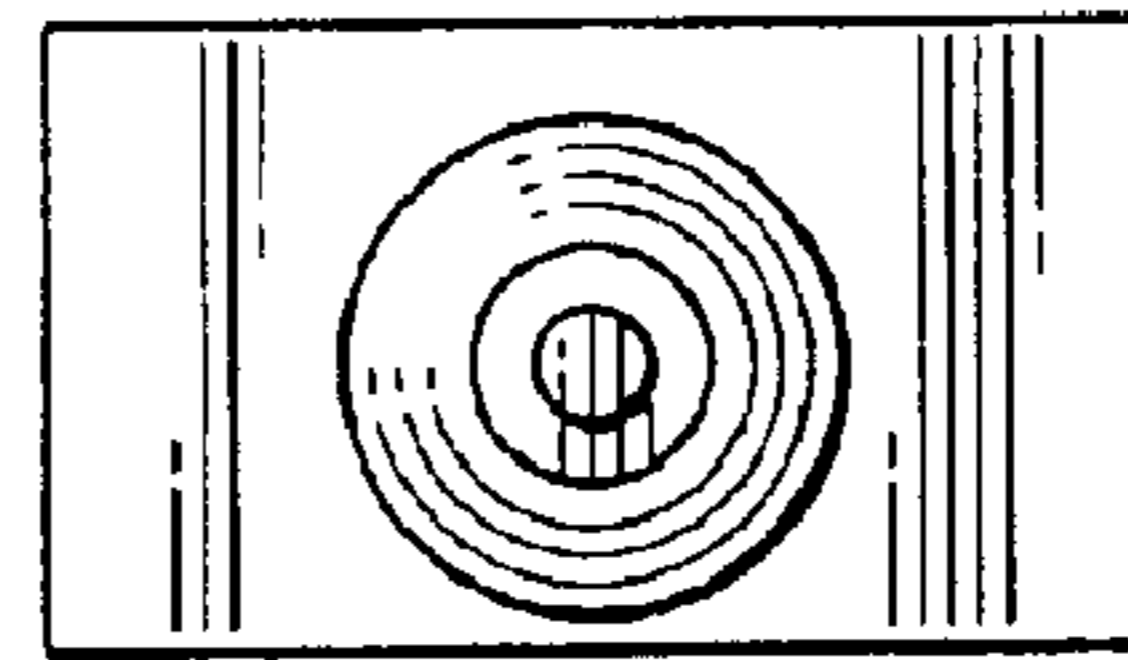


FIG. 11

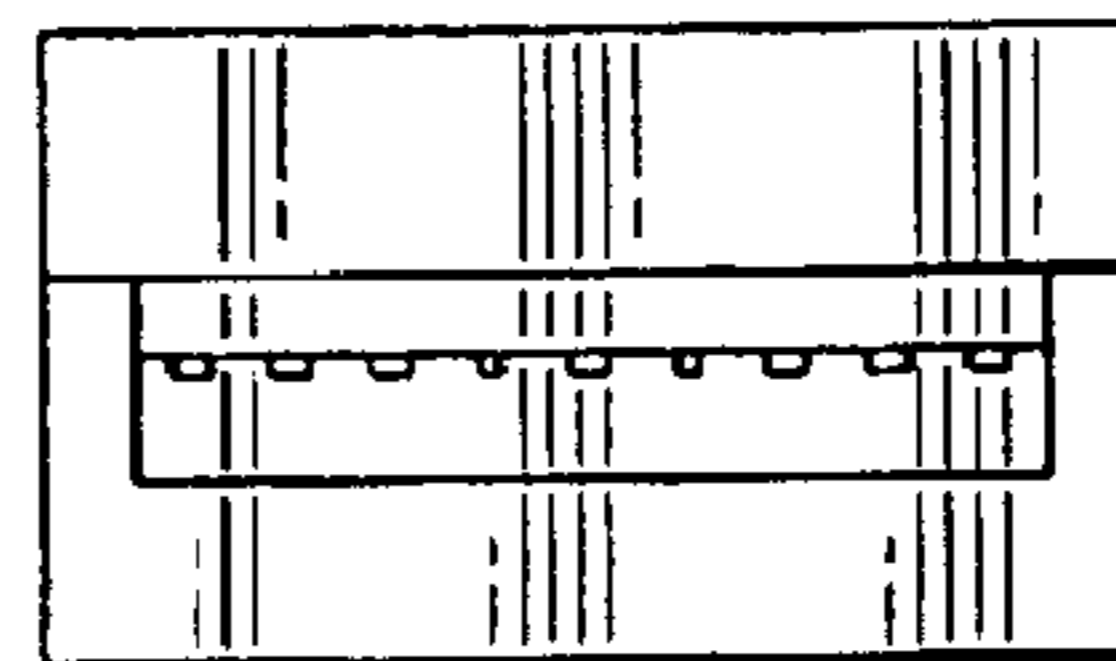


FIG. 12