

US00D503382S

(12) **United States Design Patent**  
**Moriyama et al.**

(10) **Patent No.:** **US D503,382 S**  
(45) **Date of Patent:** **\*\* Mar. 29, 2005**

- (54) **TRANSCEIVER CAGE**
- (75) Inventors: **Keiko Moriyama**, Aichi (JP); **Byung Yong Kim**, Aichi (JP); **Michael Kandros**, Aichi (JP)
- (73) Assignee: **J.S.T. Mfg. Co., Ltd.** (JP)
- (\*\*) Term: **14 Years**
- (21) Appl. No.: **29/174,456**
- (22) Filed: **Jan. 17, 2003**
- (30) **Foreign Application Priority Data**  
Aug. 1, 2002 (JP) ..... 2002-020674
- (51) **LOC (7) Cl.** ..... **13-03**
- (52) **U.S. Cl.** ..... **D13/123; D13/154**
- (58) **Field of Search** ..... **D13/123, 133, D13/154; 439/79, 607; 361/728, 752, 818; 385/92**

- D468,698 S \* 1/2003 Hwang ..... D13/154
- 6,508,670 B1 \* 1/2003 Hwang ..... 439/607
- 6,517,382 B2 \* 2/2003 Flickinger et al. .... 439/607
- 6,524,134 B2 \* 2/2003 Flickinger et al. .... 439/607
- 6,556,445 B2 \* 4/2003 Medina ..... 361/728
- 6,558,196 B2 \* 5/2003 Festag ..... 439/607
- 6,612,868 B2 \* 9/2003 Hwang ..... 439/607
- D481,677 S \* 11/2003 Hwang ..... D13/123
- 6,655,995 B1 \* 12/2003 Reisinger et al. .... 439/607
- 6,672,901 B2 \* 1/2004 Schulz et al. .... 439/607
- 2002/0072274 A1 \* 6/2002 Flickinger et al. .... 439/607
- 2003/0194190 A1 \* 10/2003 Huang ..... 385/92
- 2003/0198025 A1 \* 10/2003 Cao ..... 361/728
- 2003/0206403 A1 \* 11/2003 Zaremba ..... 361/728
- 2004/0042741 A1 \* 3/2004 Moriyama et al. .... 385/92

\* cited by examiner

*Primary Examiner*—Joel Sincavage  
(74) *Attorney, Agent, or Firm*—Osha & May L.L.P.

(57) **CLAIM**

The ornamental design for a transceiver cage, as shown and described.

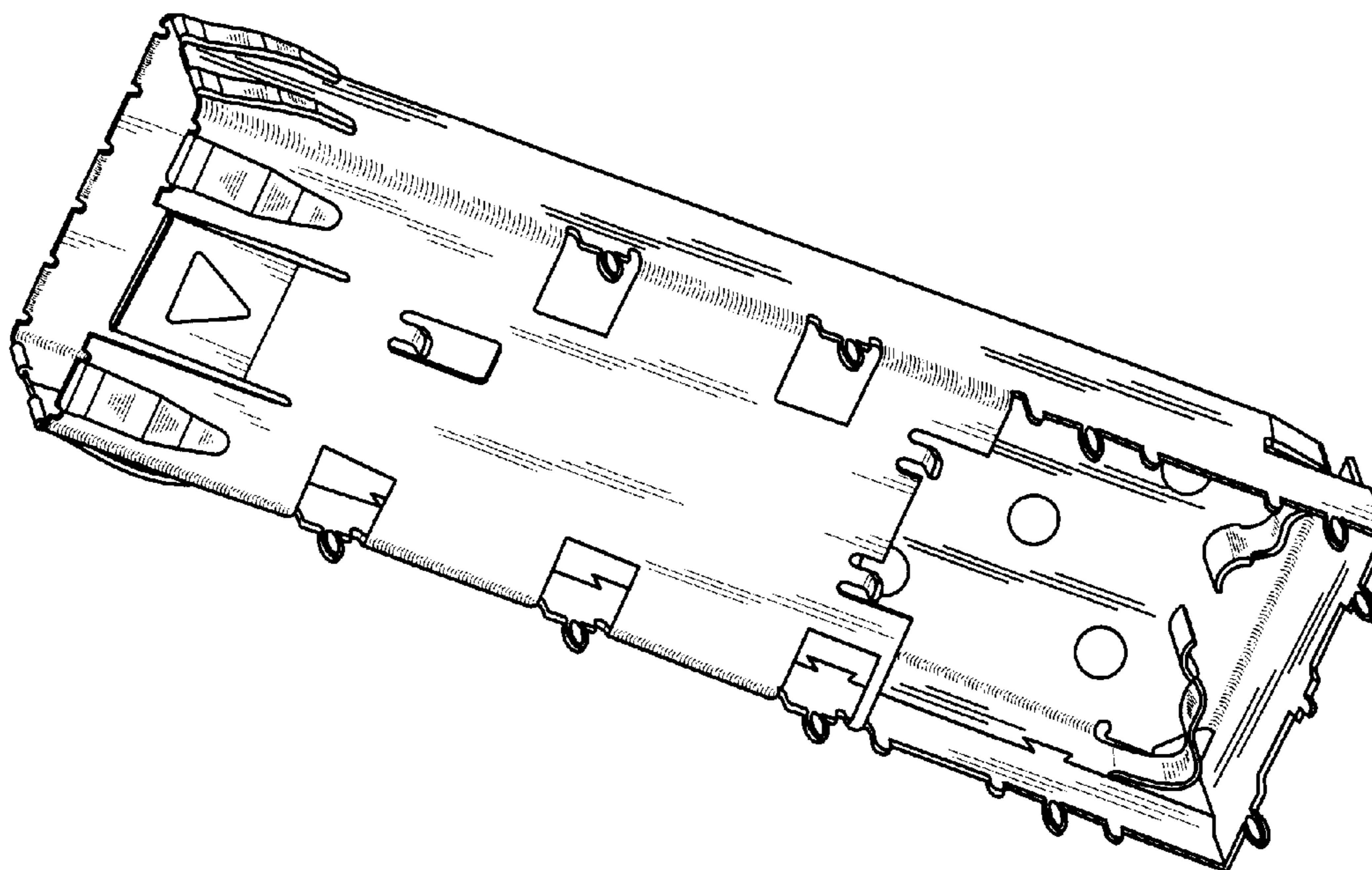
(56) **References Cited**  
**U.S. PATENT DOCUMENTS**

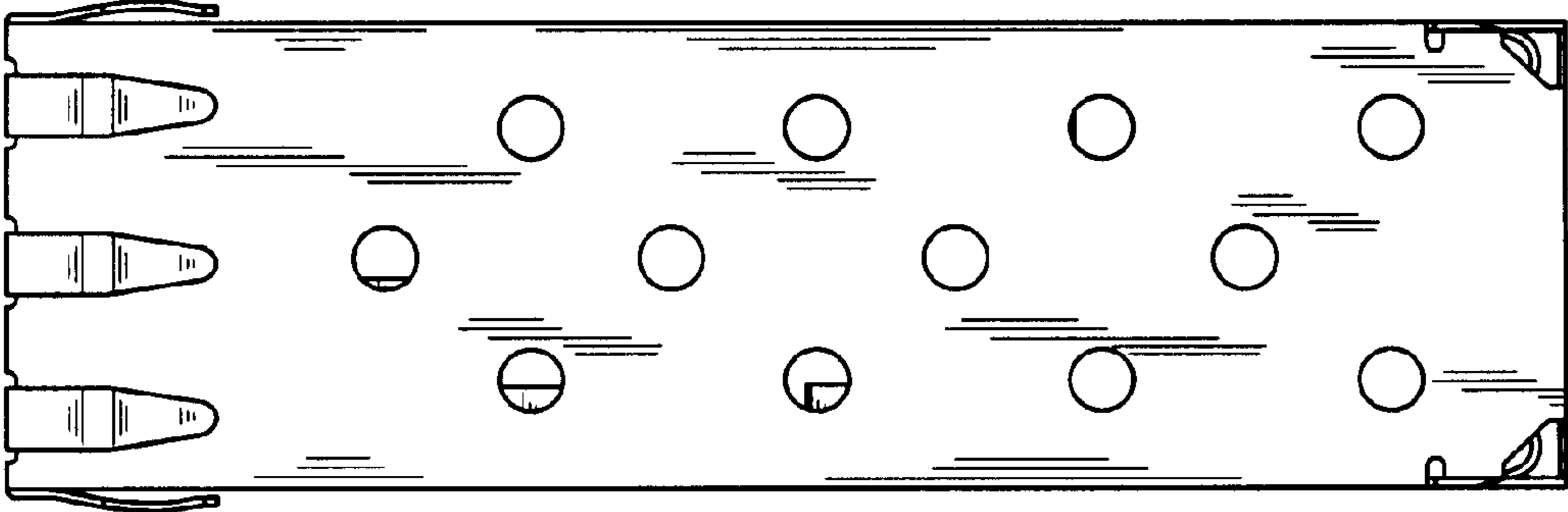
- 6,364,709 B1 \* 4/2002 Jones ..... 439/607
- 6,368,153 B1 \* 4/2002 Hwang ..... 439/607
- 6,416,361 B1 \* 7/2002 Hwang ..... 439/607
- 6,430,053 B1 \* 8/2002 Peterson et al. .... 361/728
- 6,443,768 B1 \* 9/2002 Dirkers et al. .... 439/607
- D464,029 S \* 10/2002 Hwang ..... D13/154
- D464,631 S \* 10/2002 Billman ..... D13/199
- 6,478,622 B1 \* 11/2002 Hwang ..... 439/607
- D468,269 S \* 1/2003 Hwang ..... D13/154
- D468,270 S \* 1/2003 Hwang ..... D13/154

**DESCRIPTION**

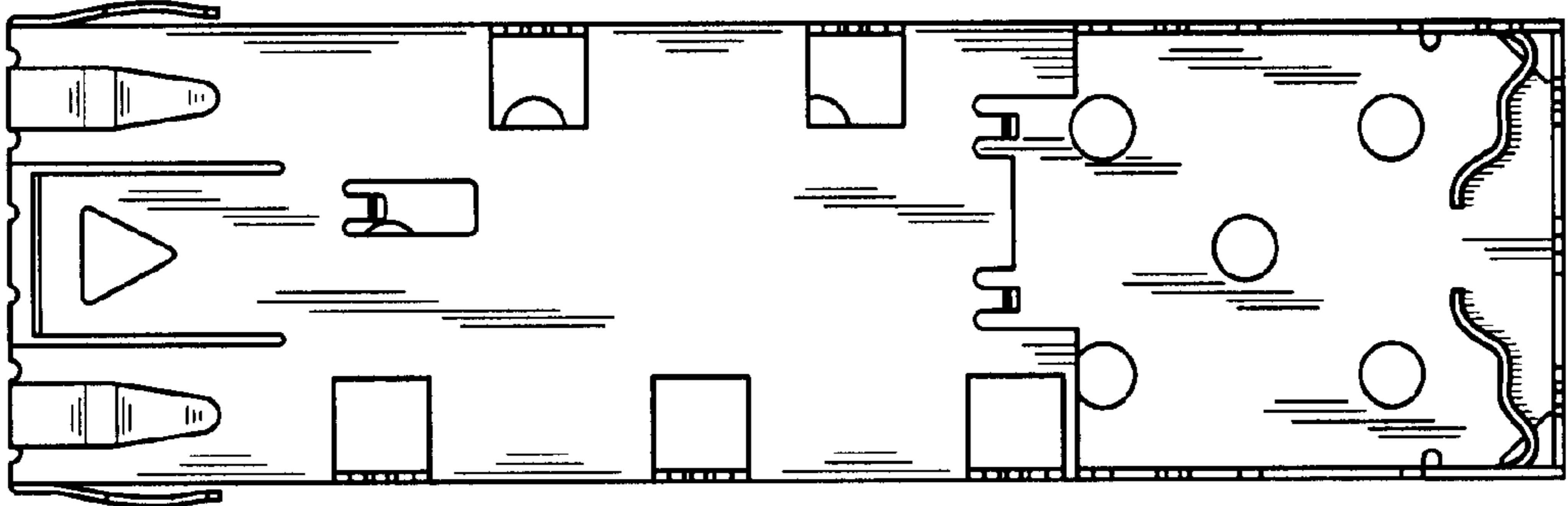
FIG. 1 shows a top view of the transceiver cage embodying the design.  
FIG. 2 shows a bottom view of the transceiver cage.  
FIG. 3 shows a left-side view of the transceiver cage.  
FIG. 4 shows a right-side view of the transceiver cage.  
FIG. 5 shows a front view of the transceiver cage.  
FIG. 6 shows a rear view of the transceiver cage; and,  
FIG. 7 shows a perspective view of the transceiver cage.

**1 Claim, 2 Drawing Sheets**

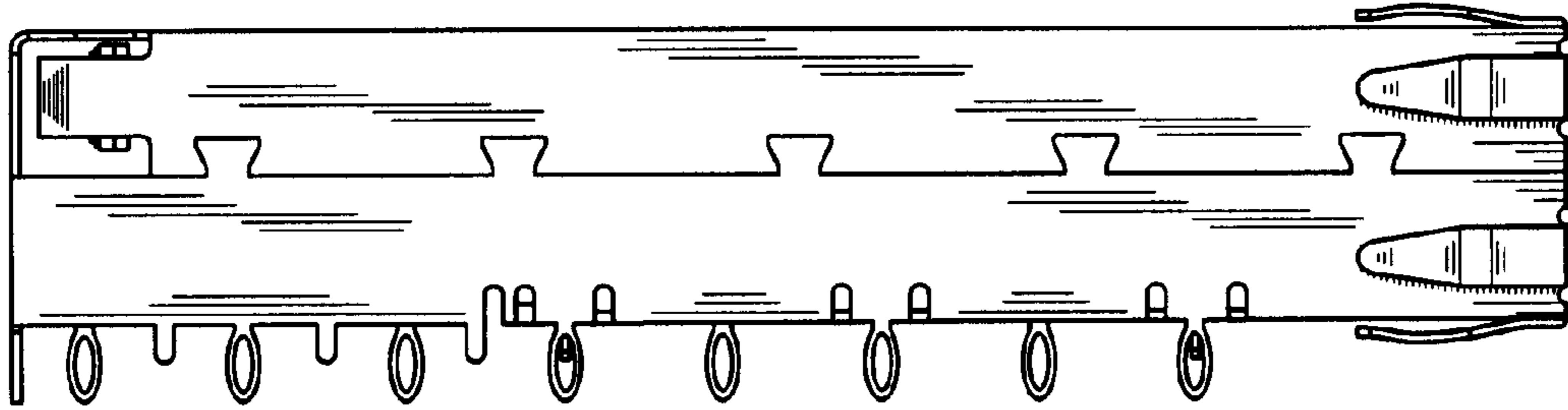




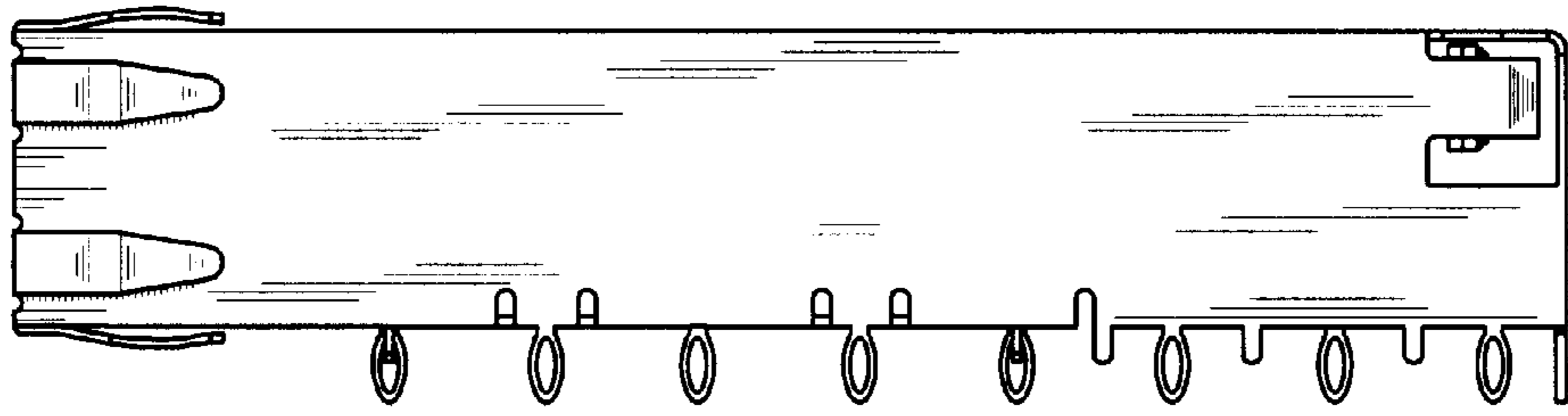
**FIG. 1**



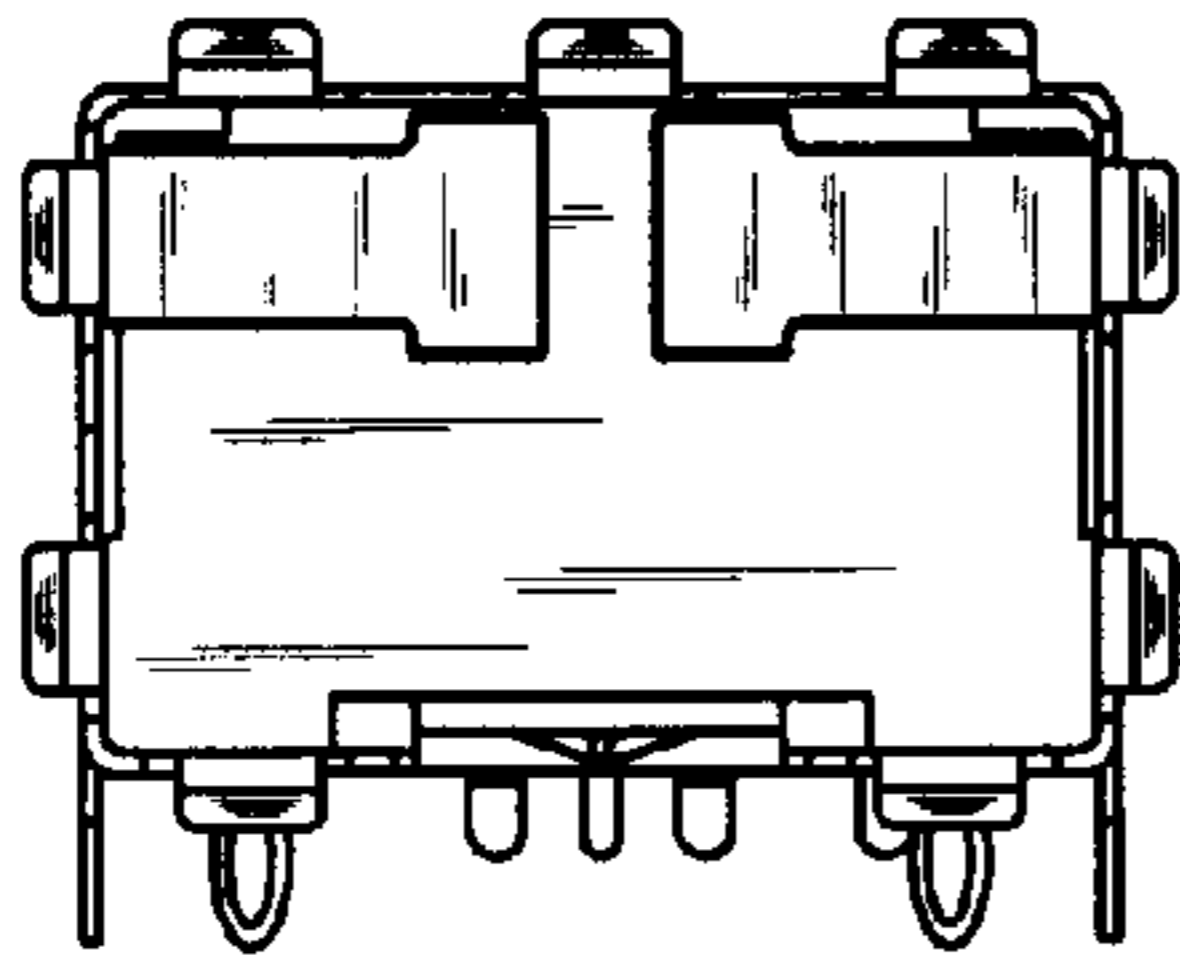
**FIG. 2**



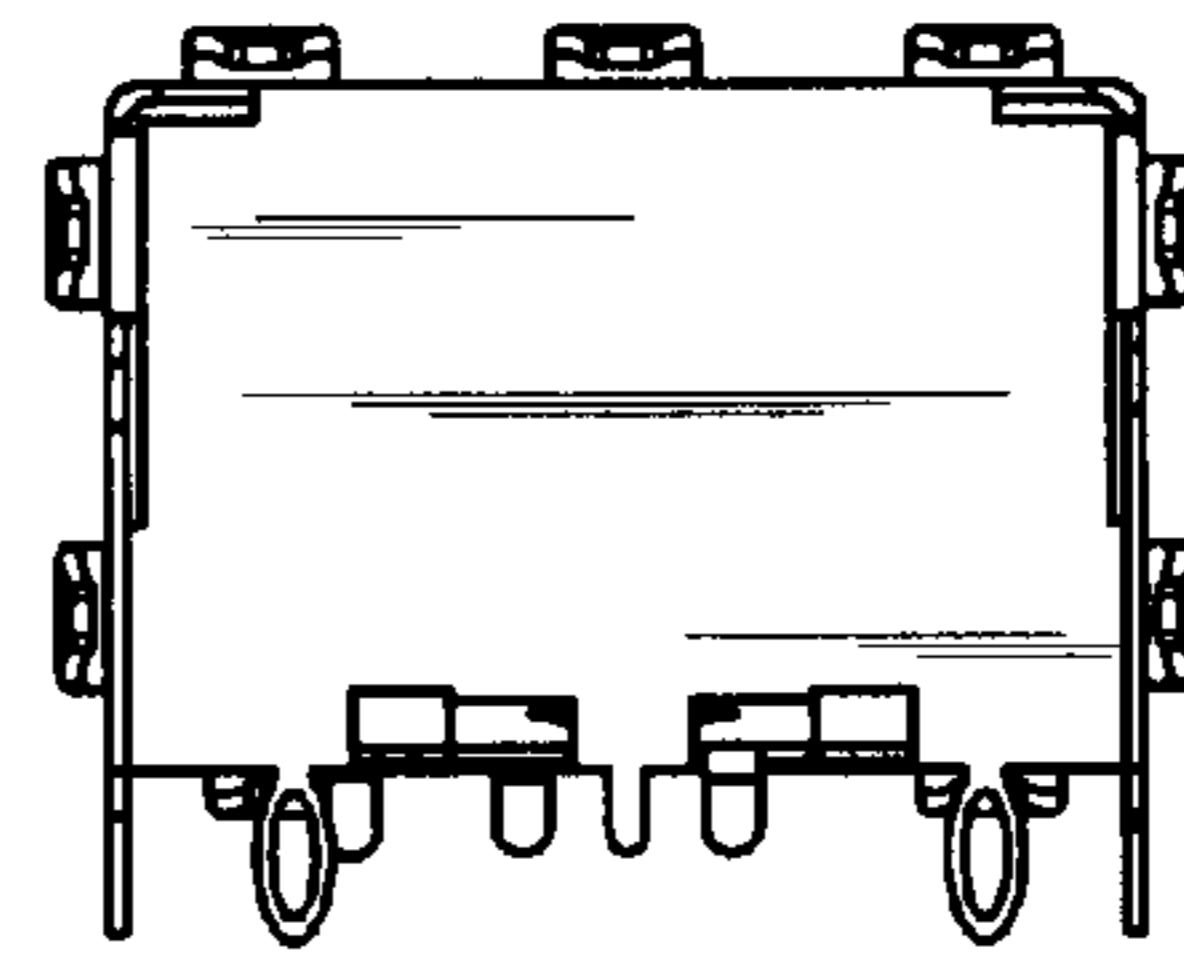
**FIG. 3**



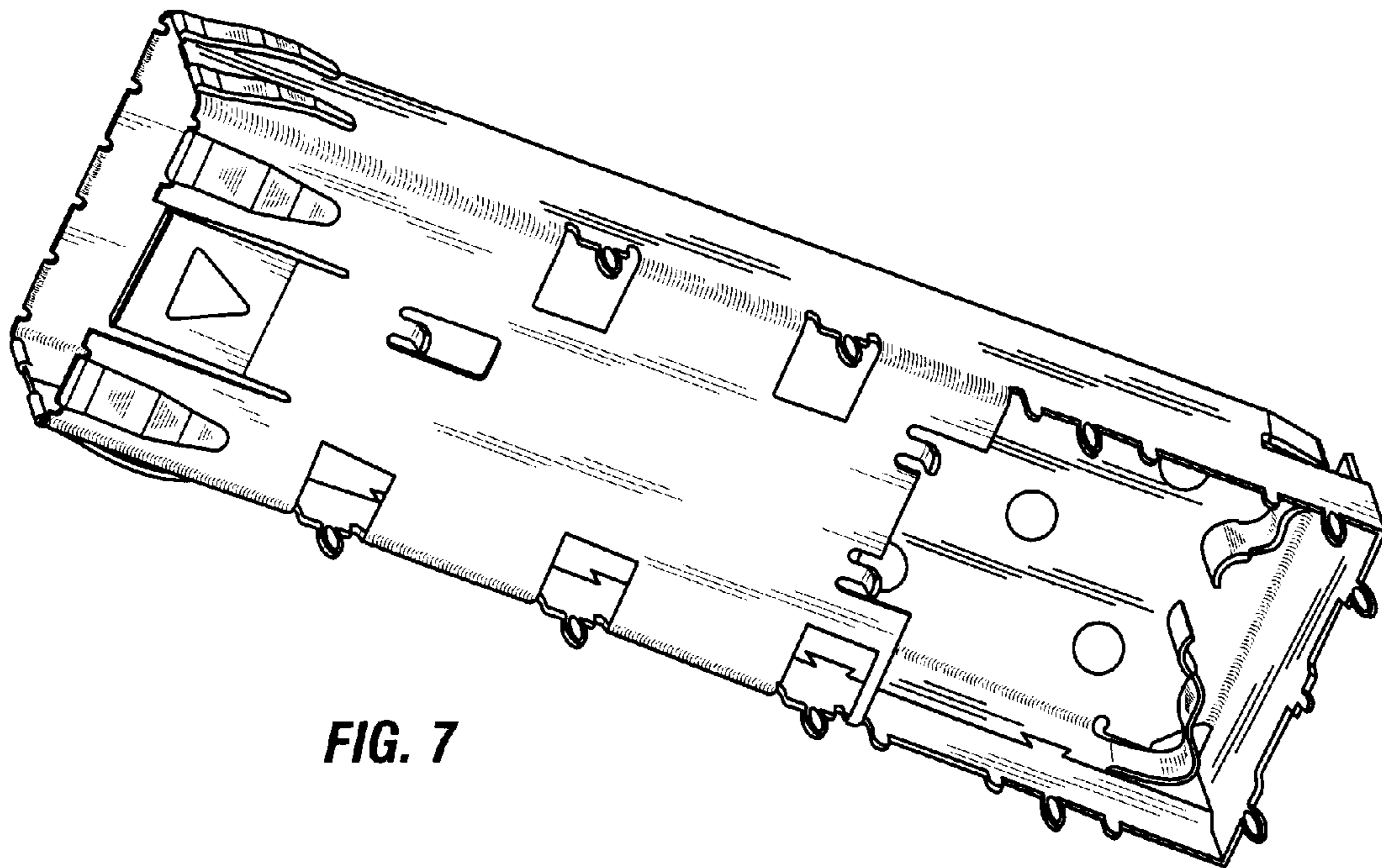
**FIG. 4**



**FIG. 5**



**FIG. 6**



**FIG. 7**