

US00D503381S

(12) **United States Design Patent**
Mizokami et al.

(10) **Patent No.:** **US D503,381 S**
(45) **Date of Patent:** **** Mar. 29, 2005**

(54) **ENGINE GENERATOR**

(75) Inventors: **Hiroshi Mizokami**, Koka-gun (JP);
Koji Suga, Koka-gun (JP)

(73) Assignee: **Denyo Co., Ltd.**, Tokyo (JP)

(**) Term: **14 Years**

(21) Appl. No.: **29/186,742**

(22) Filed: **Jul. 21, 2003**

Related U.S. Application Data

(63) Continuation of application No. 29/158,925, filed on Apr. 11, 2002, now abandoned.

(51) **LOC (7) Cl.** **13-01**

(52) **U.S. Cl.** **D13/114**

(58) **Field of Search** D13/114; 123/41.56,
123/198 E, 2; 181/204

(56) **References Cited**

U.S. PATENT DOCUMENTS

- D249,788 S * 10/1978 Nanjo D13/116
- 4,495,901 A 1/1985 Nannini et al. 123/2
- D277,954 S 3/1985 Mizushima D131/114
- D294,015 S * 2/1988 Gomi D13/114
- 5,899,174 A 5/1999 Anderson et al. 123/2
- D453,943 S 2/2002 Sasaki D18/39

D470,103 S * 2/2003 Nishida D13/116
2000/0000342 1/2002 Yamada et al. 181/204

* cited by examiner

Primary Examiner—Holly Baynham

(74) *Attorney, Agent, or Firm*—Merchant & Gould P.C.

(57) **CLAIM**

The ornamental design for an engine generator, as shown.

DESCRIPTION

FIG. 1 is a front elevational view of an engine generator showing my new design;

FIG. 2 is a rear elevational view thereof;

FIG. 3 is a left side elevational view thereof;

FIG. 4 is a right side elevational view thereof;

FIG. 5 is a top plan view thereof;

FIG. 6 is a top plan view thereof showing the condition in which the door opened;

FIG. 7 is a front perspective view thereof;

FIG. 8 is a rear perspective view thereof; and,

FIG. 9 is a left side elevational view of reference indicating the transparent area thereof.

The broken line showing of doors and louvers is for illustrative purpose only and forms no part of the claimed design.

The oblique line shading on the area shown on FIG. 9 represents a transparent surface.

1 Claim, 5 Drawing Sheets

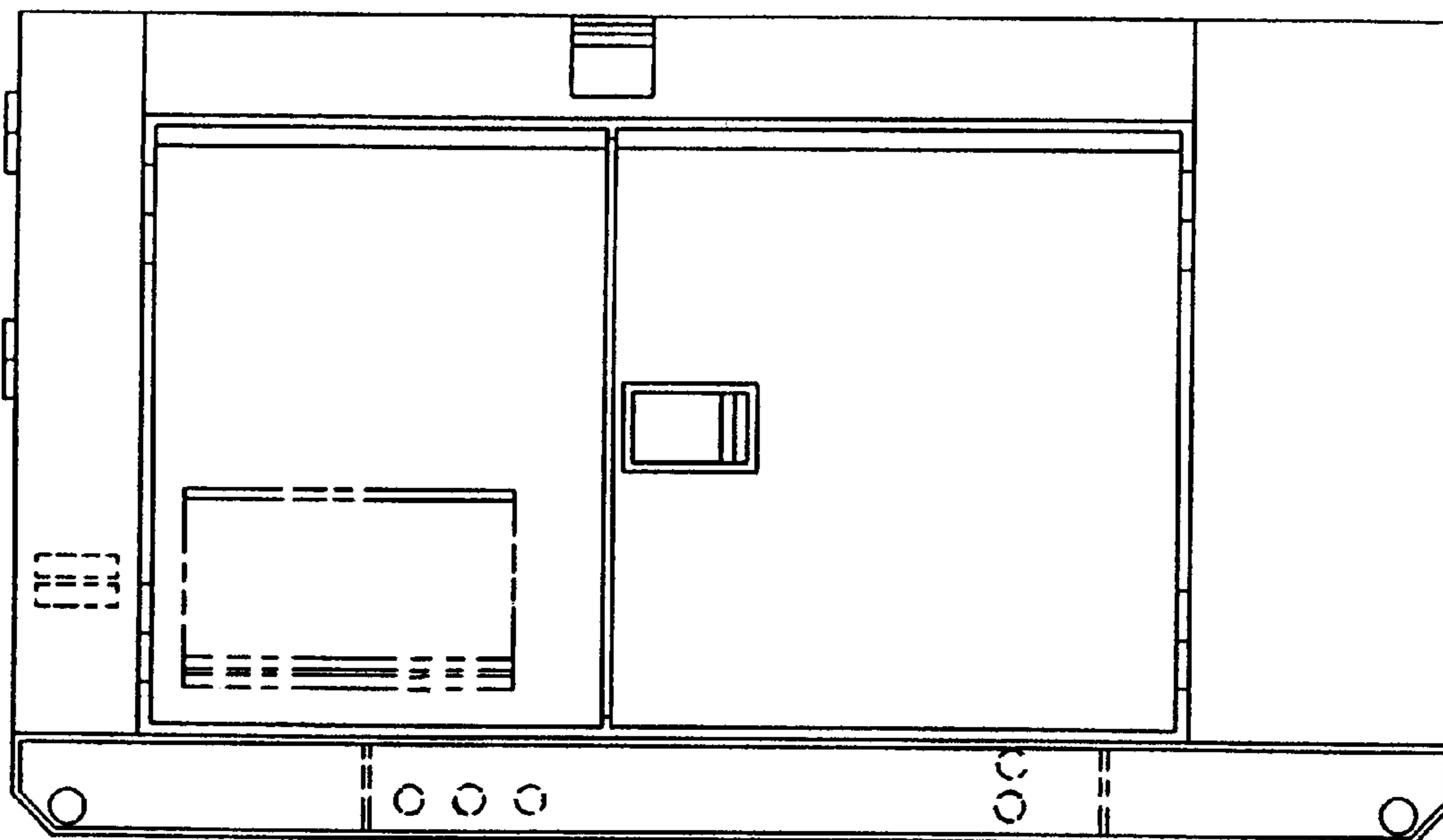


FIG. 1

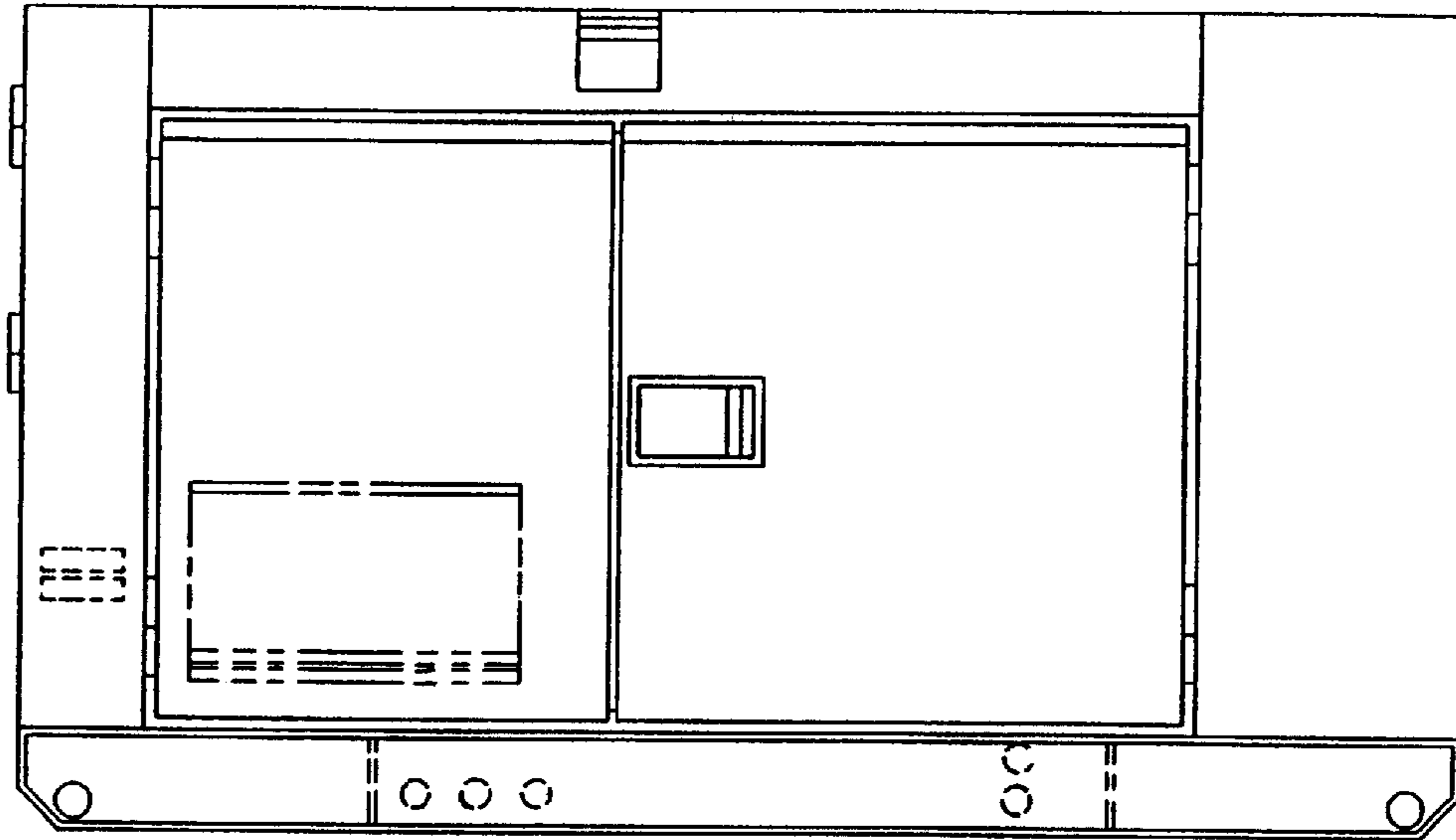


FIG. 2

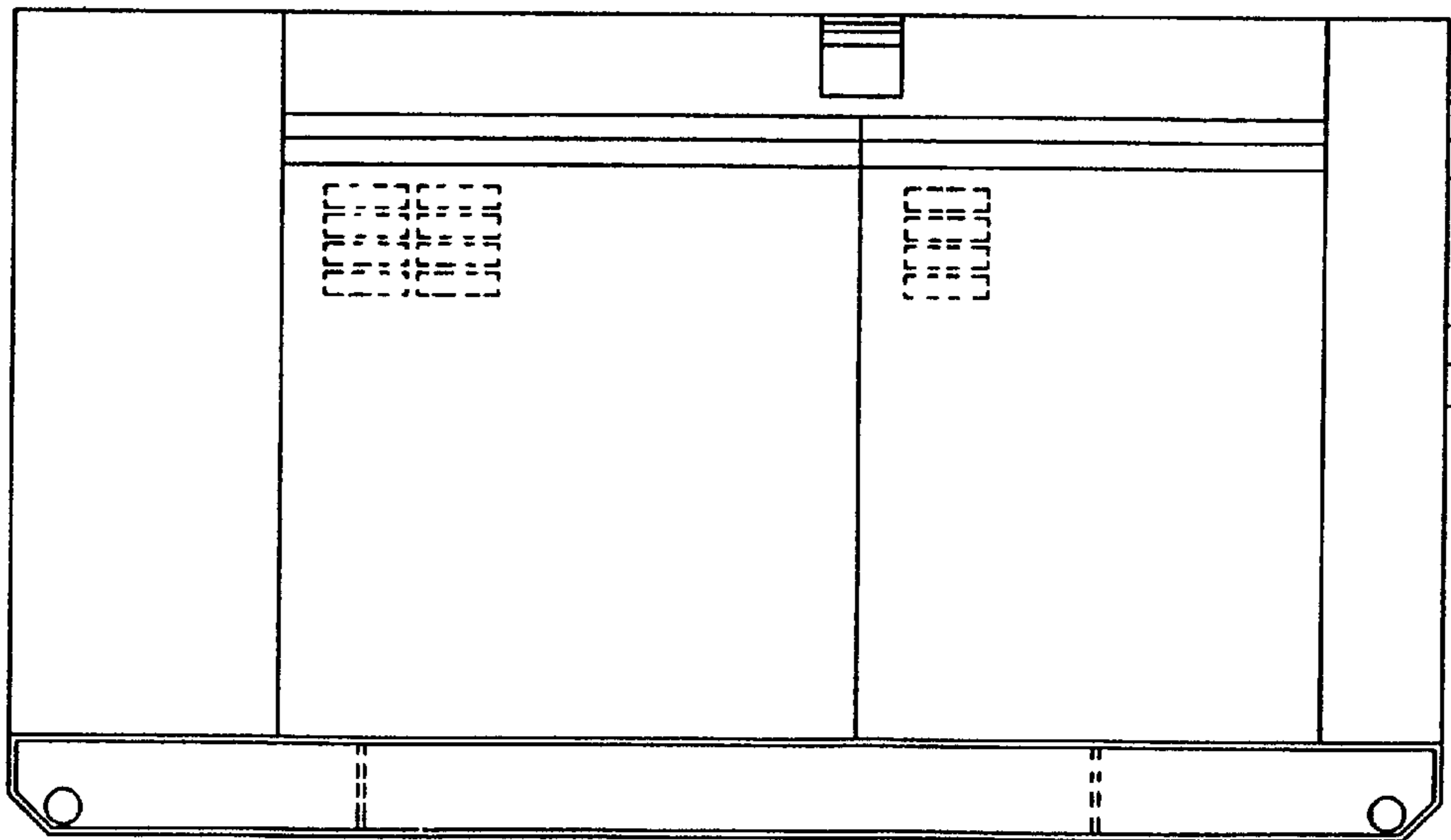


FIG. 3

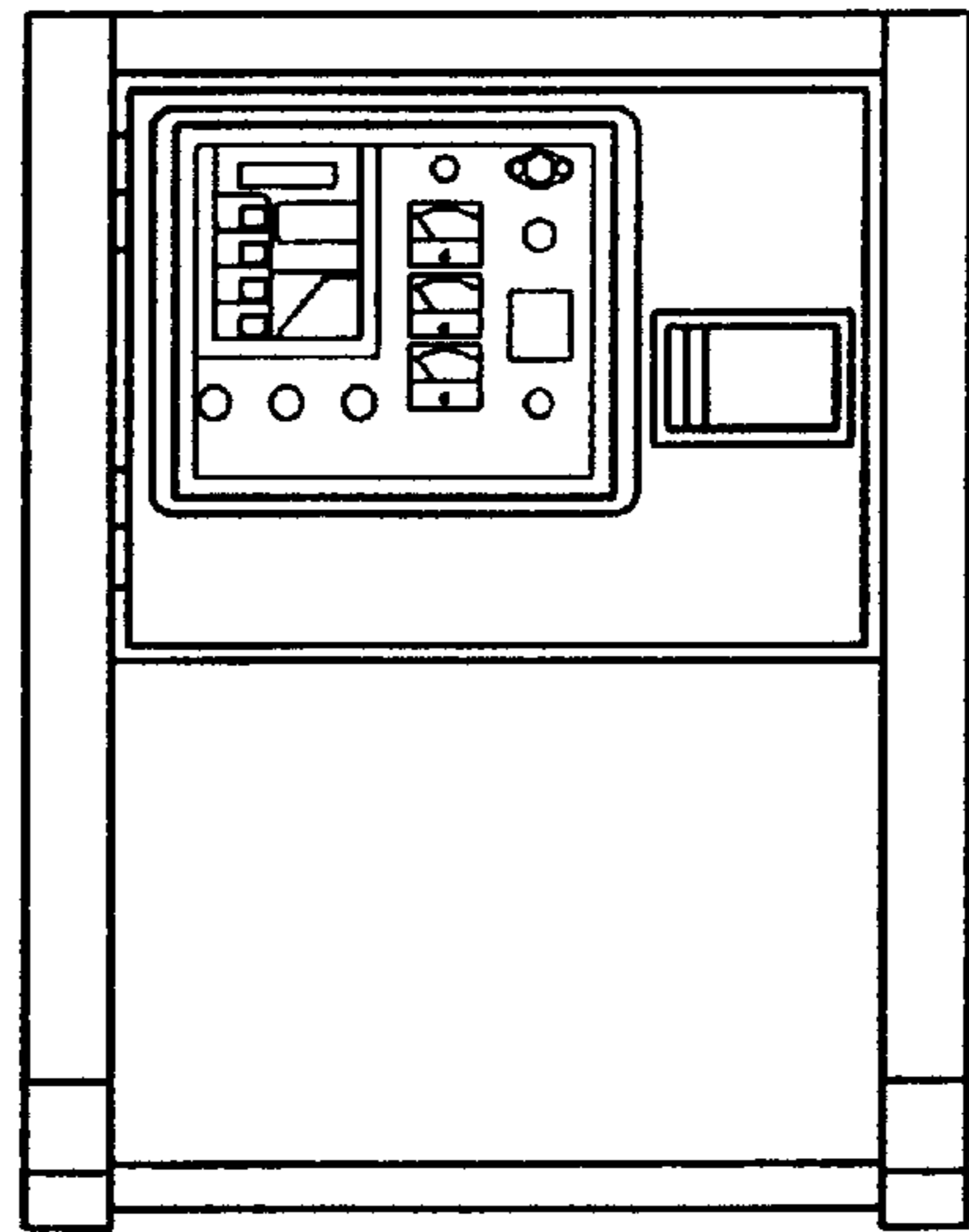


FIG. 4

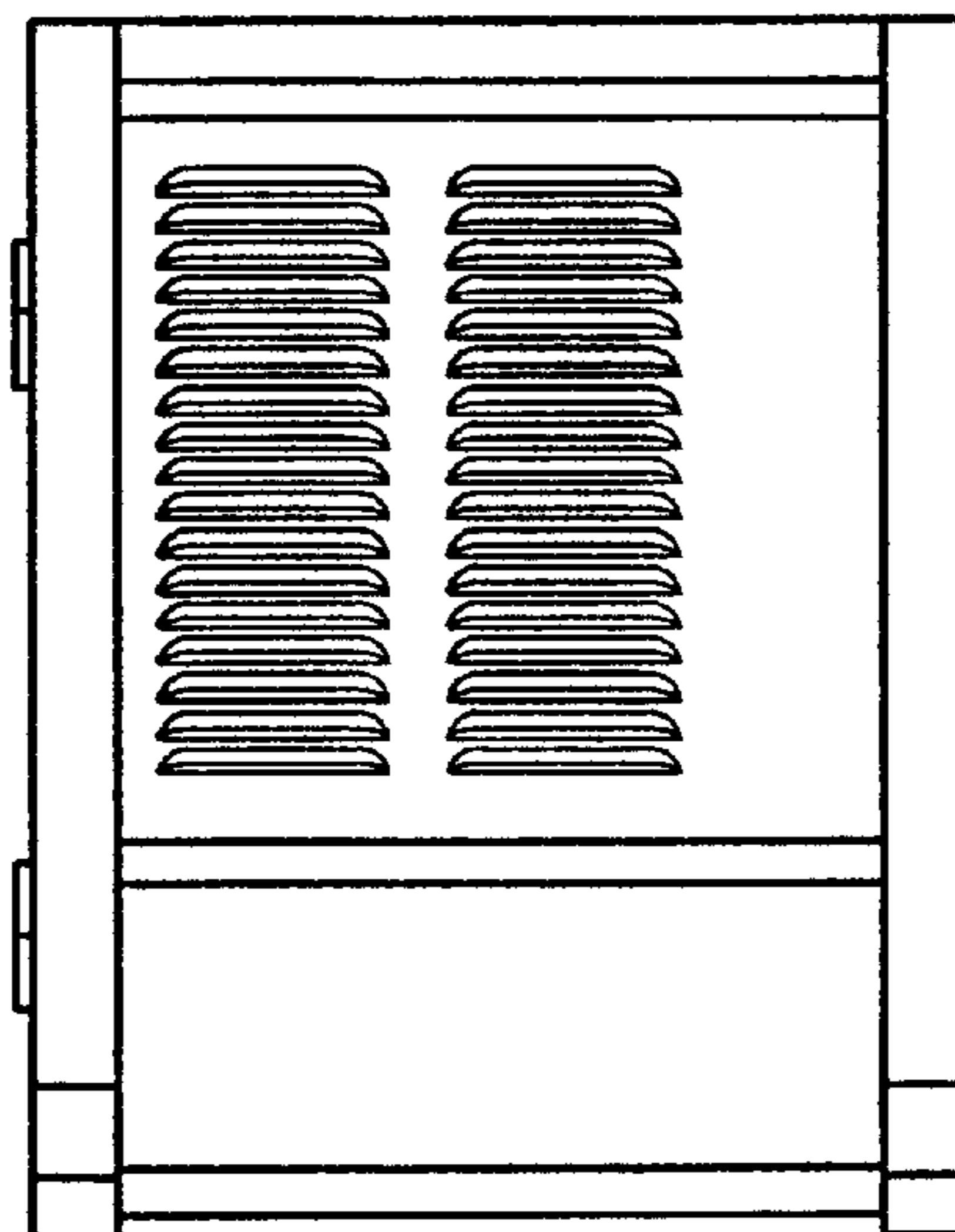


FIG. 5

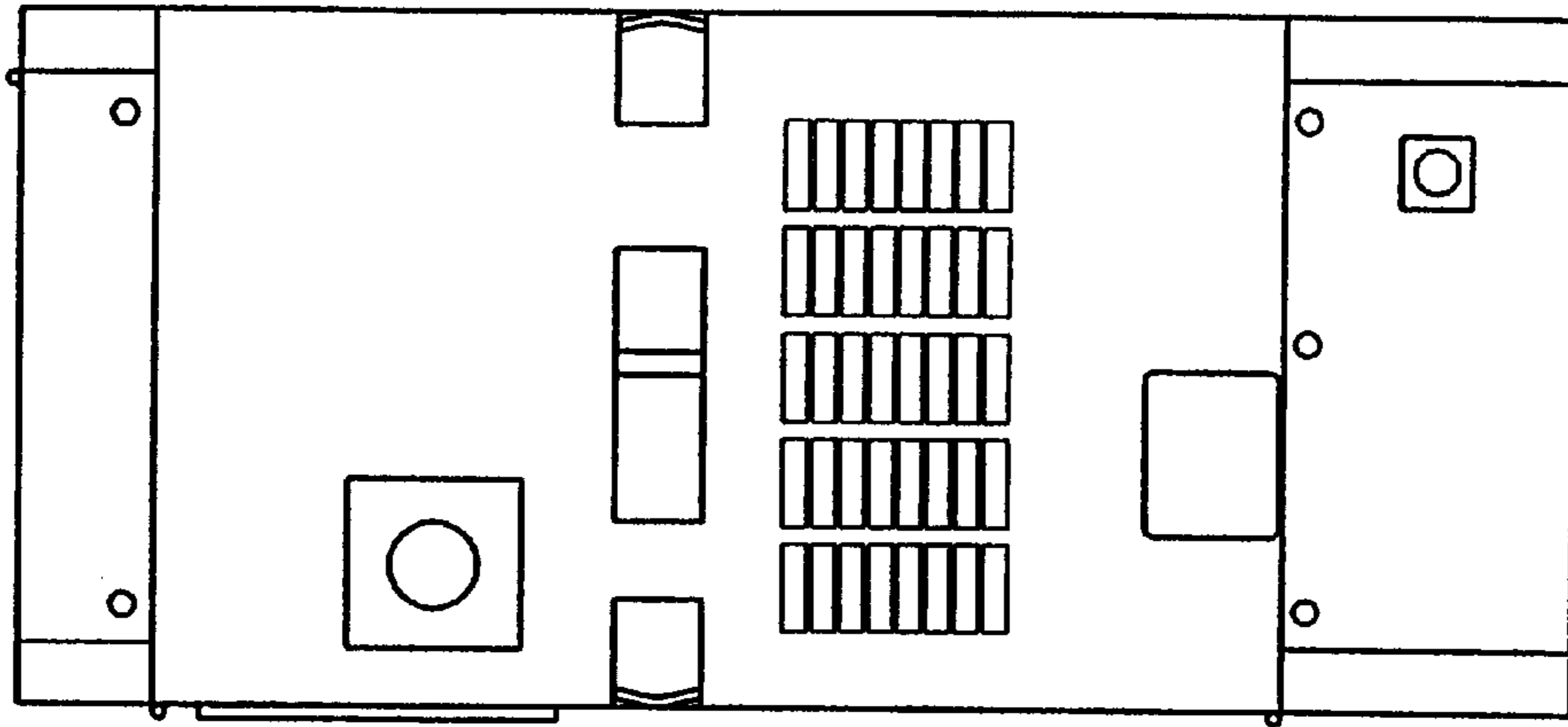


FIG. 6

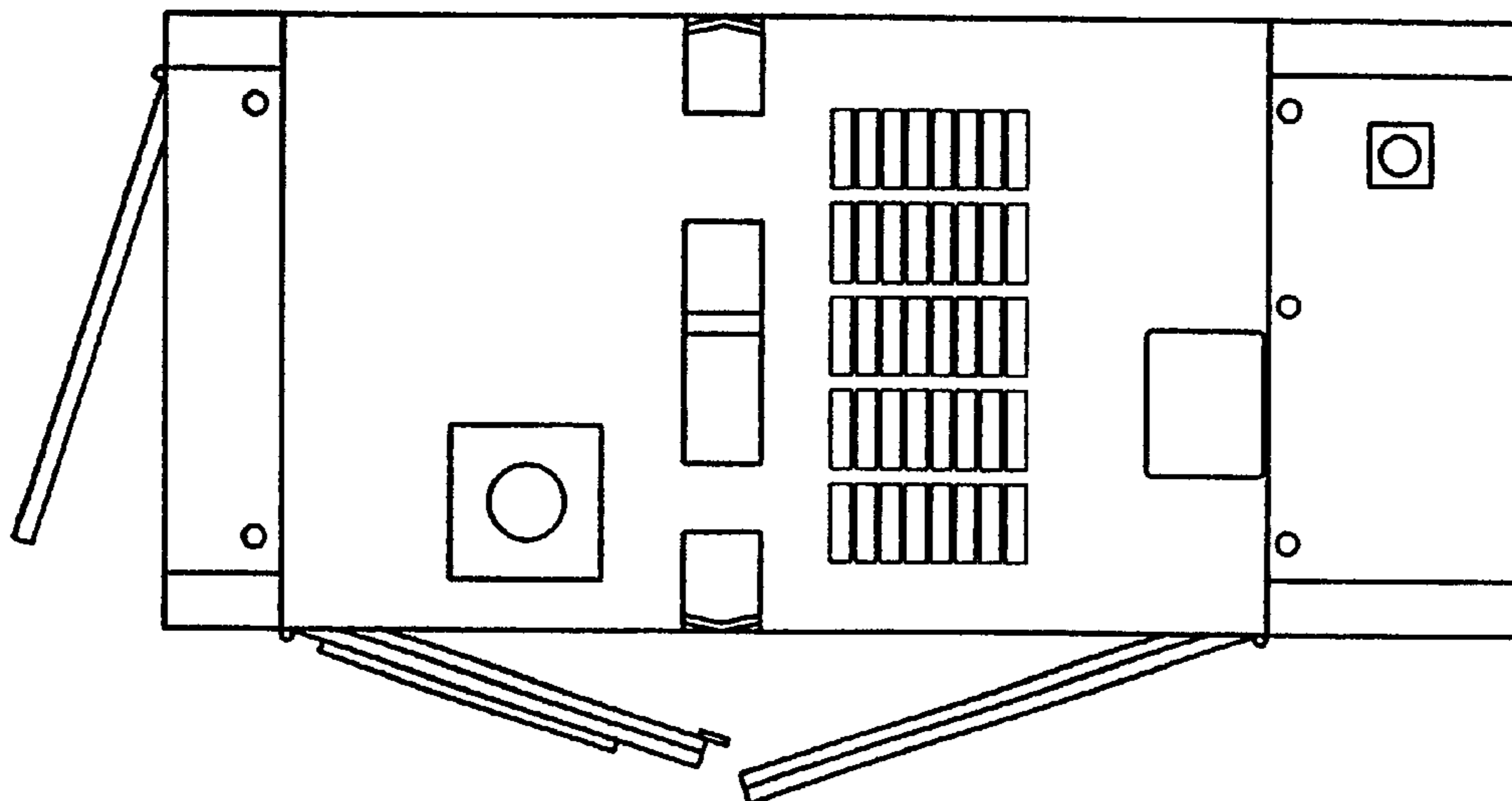


FIG. 7

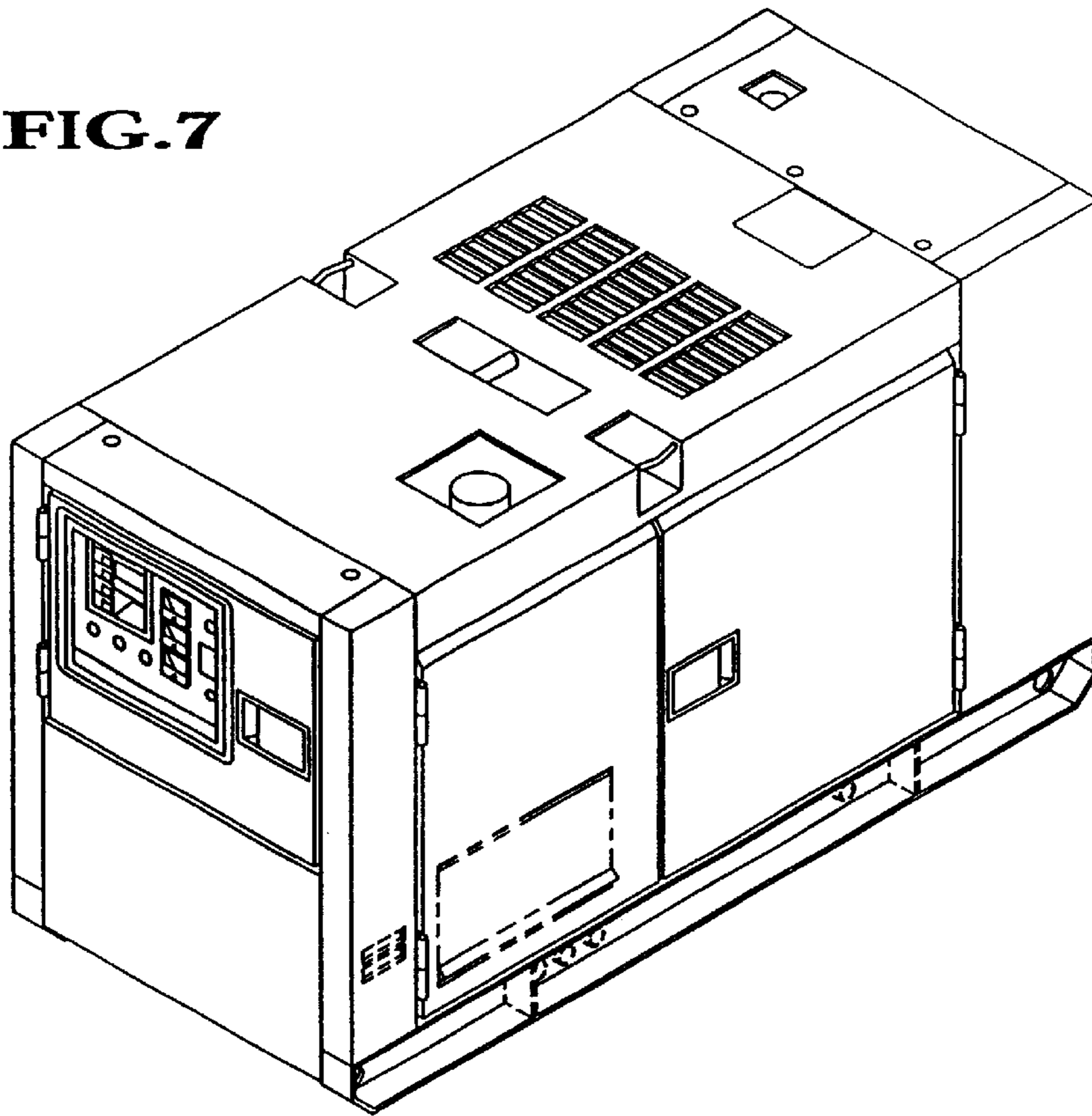


FIG. 8

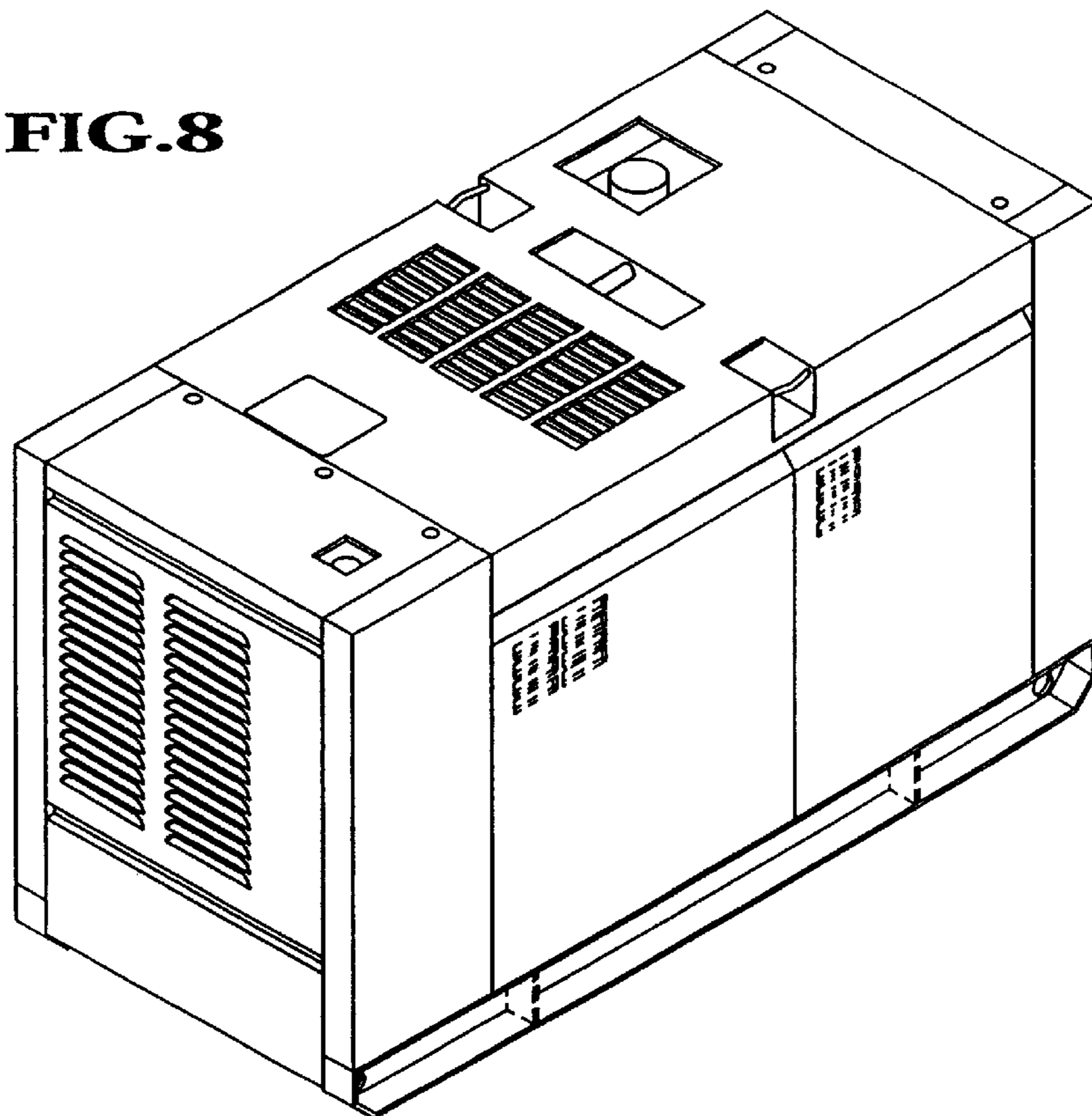


FIG. 9

