

US00D503380S

(12) **United States Design Patent**
Guion

(10) **Patent No.:** **US D503,380 S**

(45) **Date of Patent:** **** Mar. 29, 2005**

(54) **WELL SOUND GENERATOR WITH DIGITAL READ-OUT DISPLAY**

(76) **Inventor:** **Walter Guion**, 567 W. Channel Islands Blvd., #139, Port Hueneme, CA (US) 93041

(**) **Term:** **14 Years**

(21) **Appl. No.:** **29/174,411**

(22) **Filed:** **Jan. 16, 2003**

(51) **LOC (7) Cl.** **13-01**

(52) **U.S. Cl.** **D13/112**

(58) **Field of Search** D13/110, 112-118, D13/184, 199; D15/1-5; 116/56, 61, 62; 248/689; 446/189, 404, 421

(56) **References Cited**

U.S. PATENT DOCUMENTS

4,118,644 A * 10/1978 Schulte et al. 310/42
5,044,509 A * 9/1991 Petrosky et al. 215/366

6,186,637 B1 * 2/2001 Murrietta 362/101
2001/0032746 A1 * 10/2001 Foster 180/300
2003/0111919 A1 * 6/2003 Lau 310/89

* cited by examiner

Primary Examiner—Philip S. Hyder

Assistant Examiner—Daniel Bui

(74) *Attorney, Agent, or Firm*—Jack C. Munro

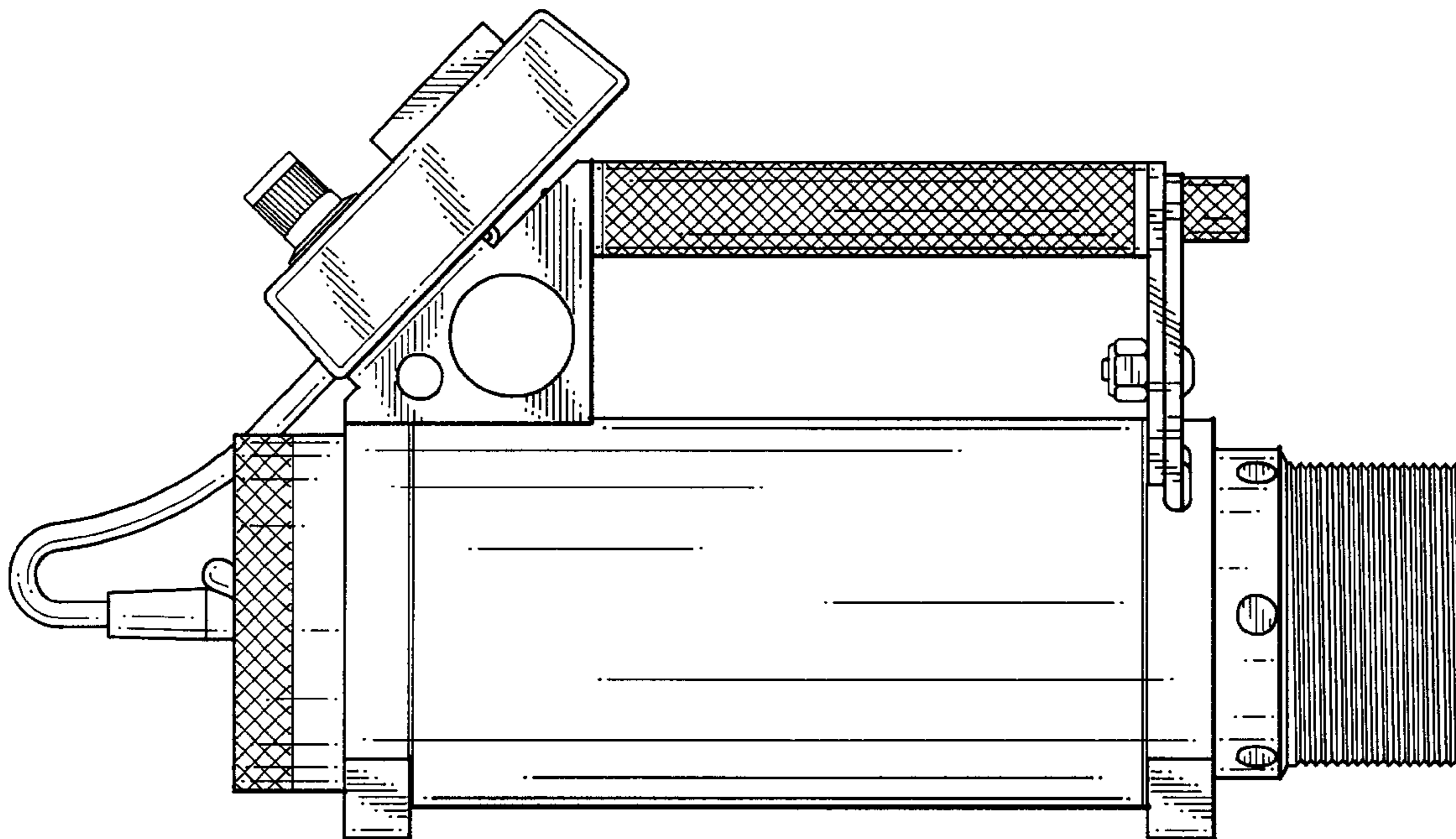
(57) **CLAIM**

The ornamental design for a well sound generator with digital read-out display, as shown and described.

DESCRIPTION

FIG. 1 is a front elevational view of the well sound generator with digital read-out display showing my new design; FIG. 2 is a rear elevational view thereof; FIG. 3 is a top plan elevational view thereof; FIG. 4 is a bottom plan elevational view thereof; FIG. 5 is a left end elevational view thereof; and, FIG. 6 is a right end elevational view thereof.

1 Claim, 5 Drawing Sheets



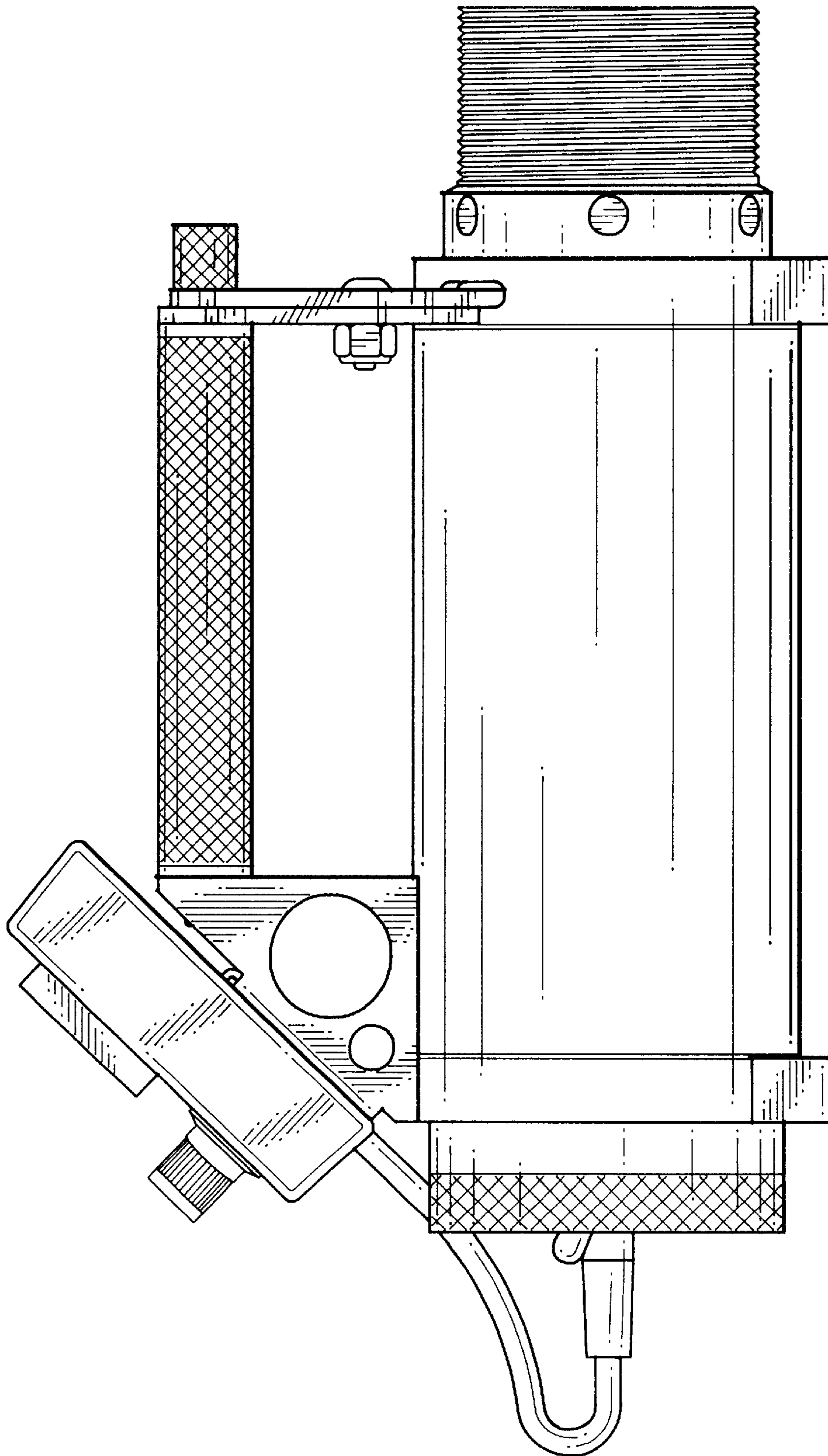


FIG. 1

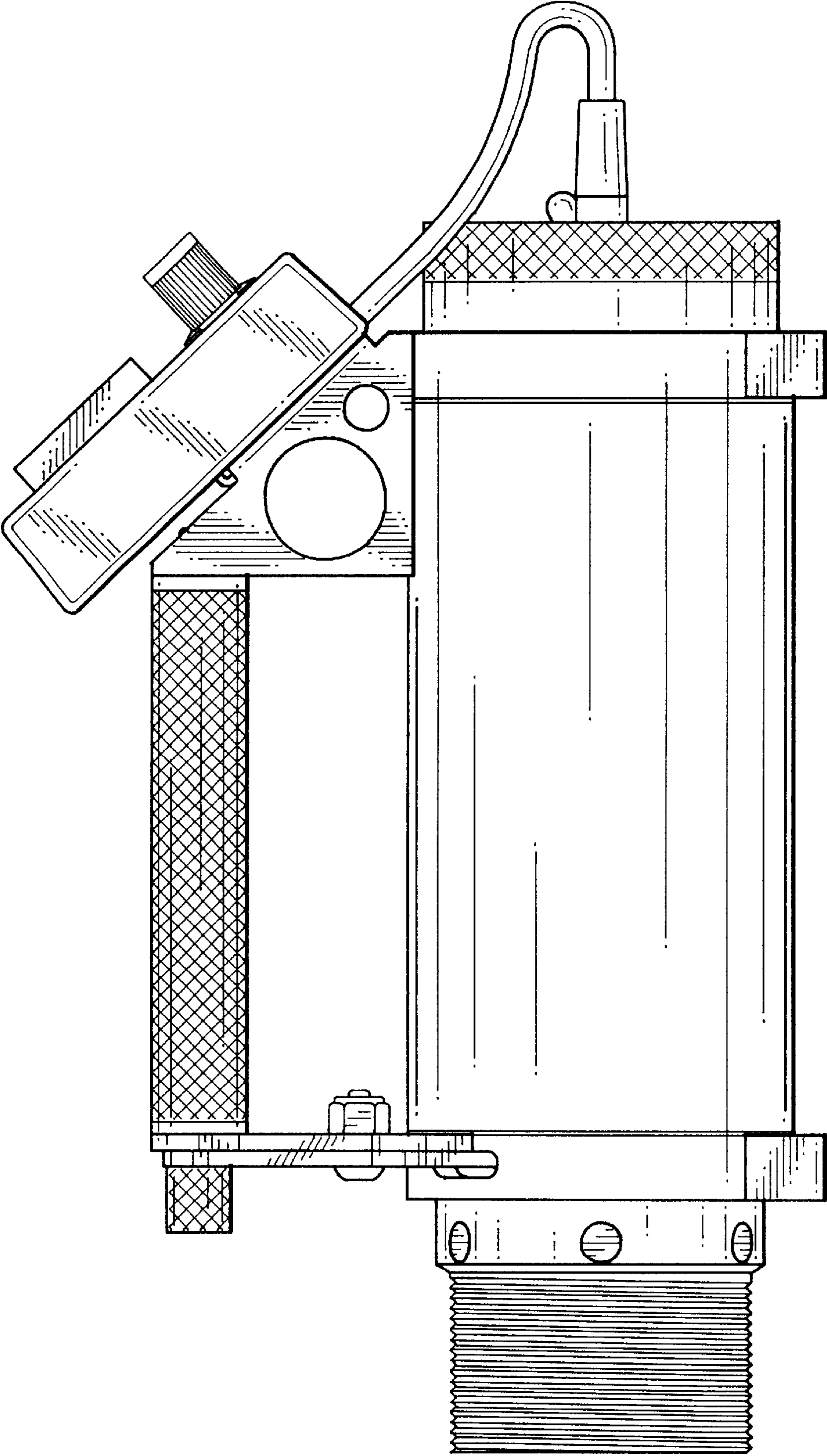


FIG. 2

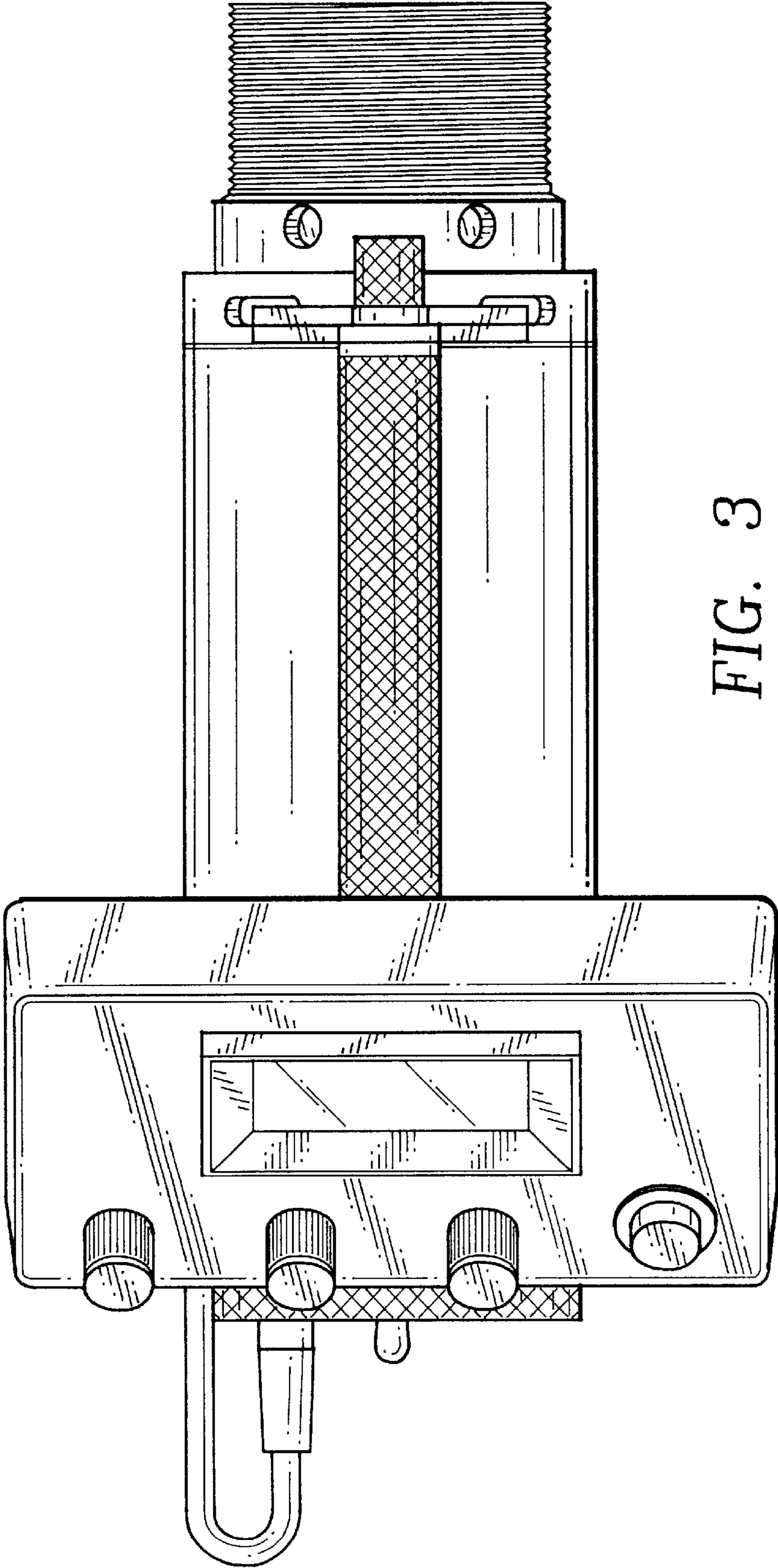


FIG. 3

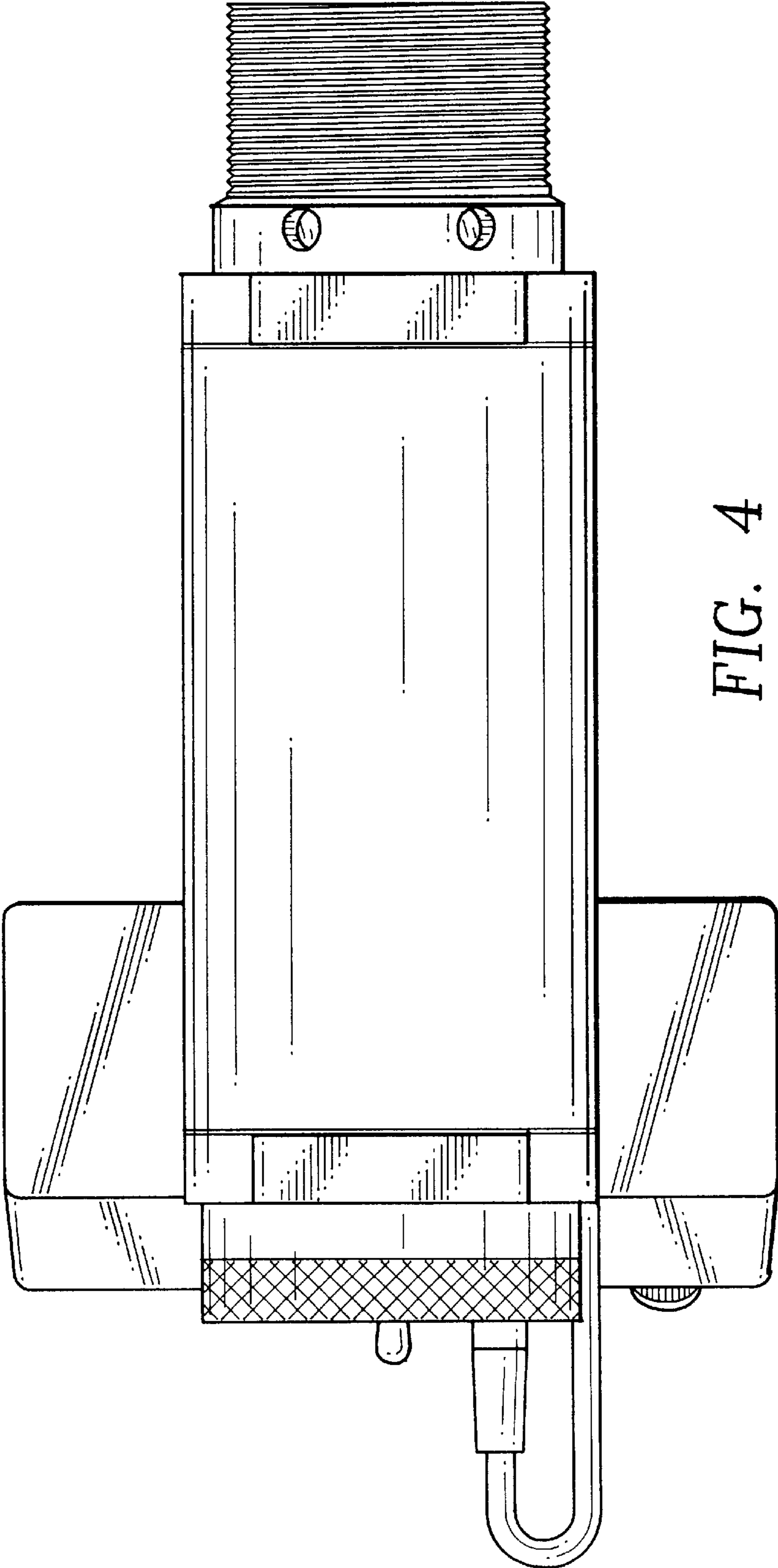


FIG. 4

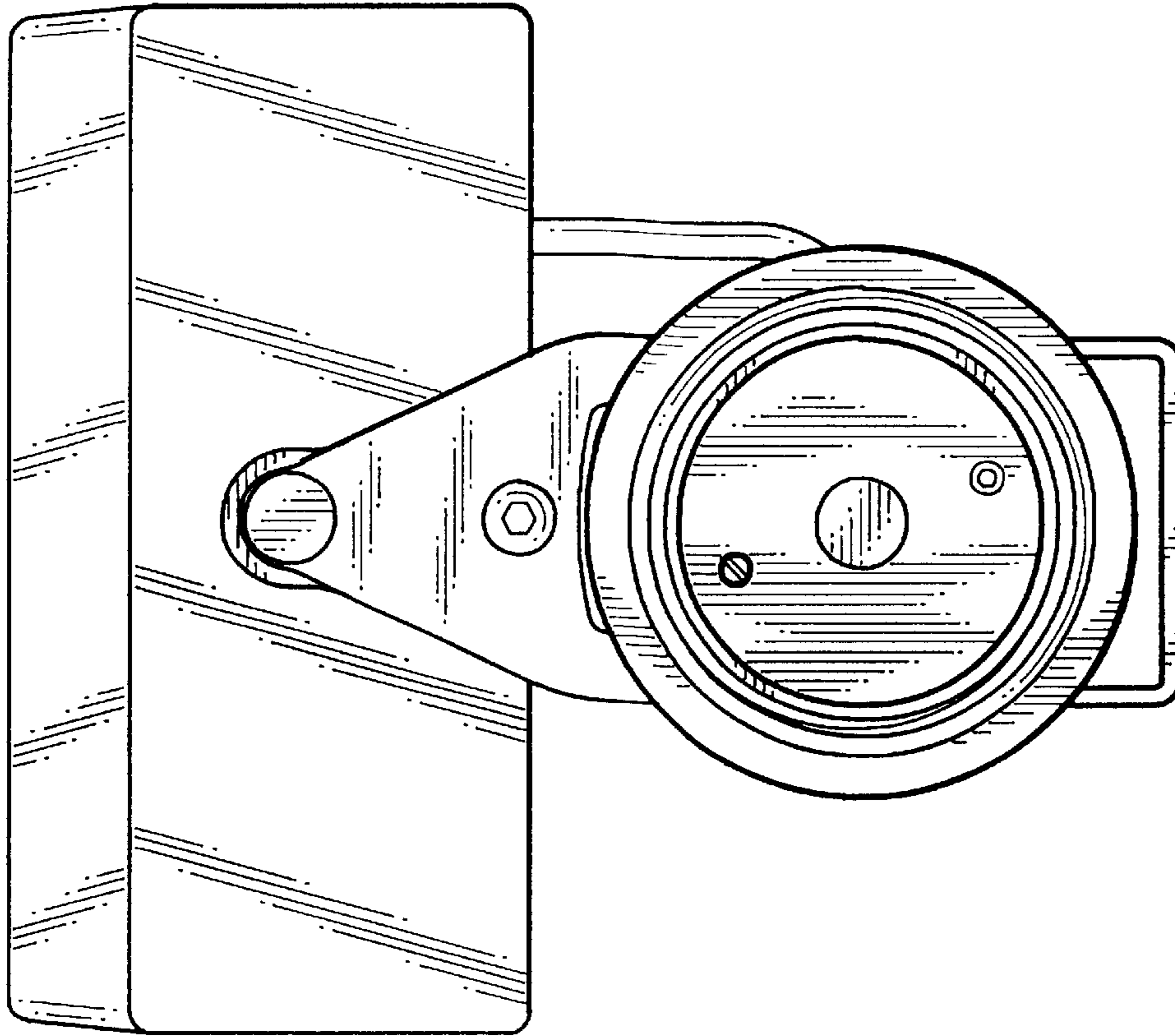


FIG. 6

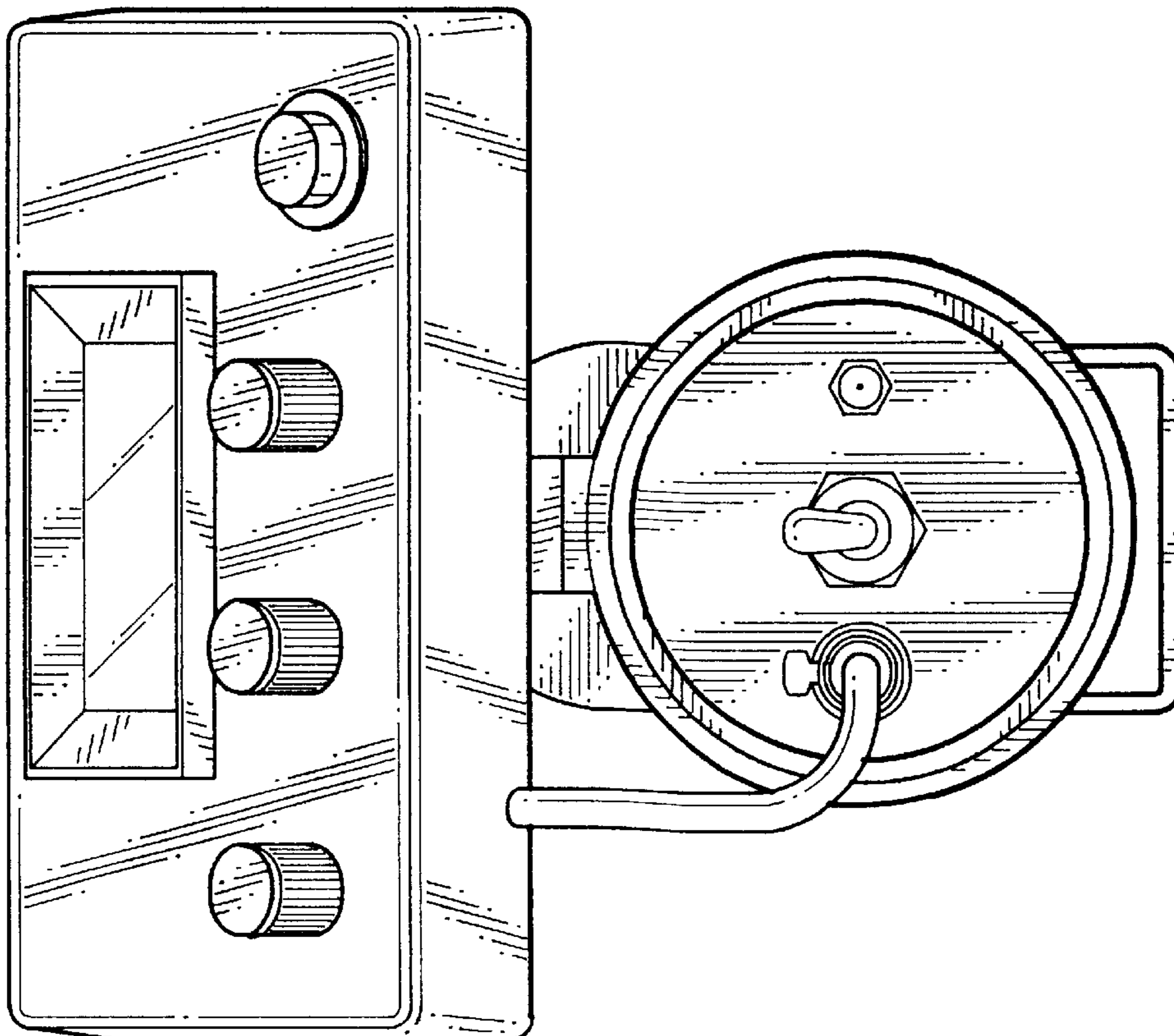


FIG. 5