

US00D503371S

(12) **United States Design Patent**
Boyer

(10) **Patent No.: US D503,371 S**
(45) **Date of Patent: ** Mar. 29, 2005**

(54) **FRONT FACE OF A VEHICLE WHEEL**

(75) **Inventor: Boyke Boyer, Ismaning (DE)**

(73) **Assignee: Bayerische Motoren Werke
Aktiengesellschaft, Munich (DE)**

(**) **Term: 14 Years**

(21) **Appl. No.: 29/182,330**

(22) **Filed: May 27, 2003**

(30) **Foreign Application Priority Data**

Nov. 25, 2002 (DE) 4 02 09 836

(51) **LOC (7) Cl. 12-16**

(52) **U.S. Cl. D12/211**

(58) **Field of Search D12/204-213;
301/37.101, 64.101, 65**

(56) **References Cited**

U.S. PATENT DOCUMENTS

- D375,287 S * 11/1996 Neeper D12/211
- D409,968 S 5/1999 Goplen D12/211
- D431,807 S * 10/2000 Fitzgerald D12/211
- D450,648 S * 11/2001 Oota D12/211

- D453,133 S * 1/2002 Murkett et al. D12/209
- D458,574 S * 6/2002 Kaucher D12/211
- D460,938 S * 7/2002 Fitzgerald D12/209
- D461,440 S * 8/2002 Koch D12/211
- D465,759 S * 11/2002 Leutz et al. D12/211
- D480,674 S * 10/2003 Lecher et al. D12/209
- D486,113 S * 2/2004 Lecher et al. D12/211
- D494,524 S * 8/2004 Rice D12/211

* cited by examiner

Primary Examiner—Stacia Cadmus

(74) *Attorney, Agent, or Firm*—Crowell & Moring LLP

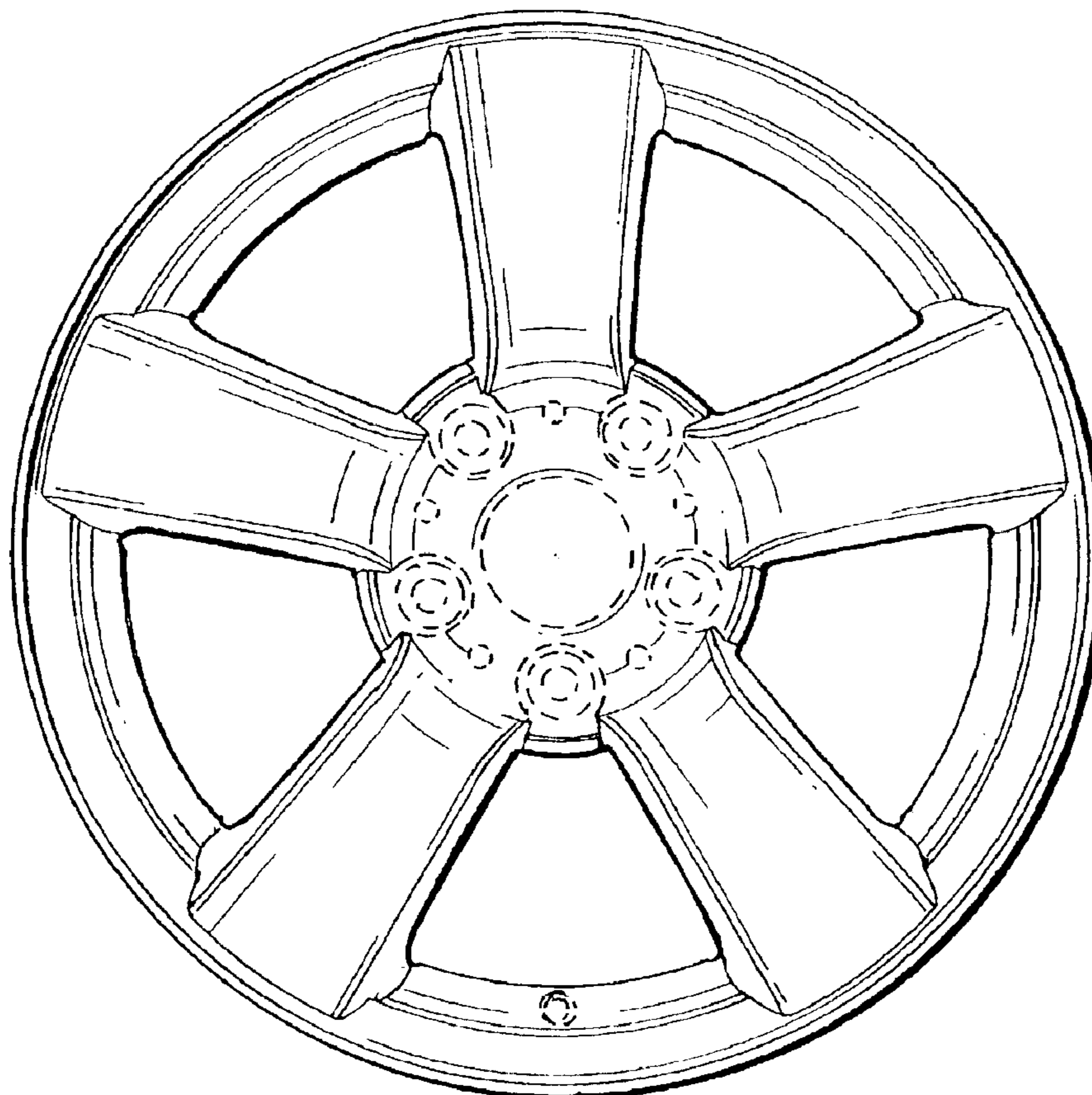
(57) **CLAIM**

The ornamental design for a front face of a vehicle wheel, as shown and described.

DESCRIPTION

FIG. 1 is a front view of a front face of a vehicle wheel according to my novel design; and, FIG. 2 is a perspective view of the front face of a vehicle wheel according to my novel design. The broken lines are for illustrative purposes only and form no part of the claimed design.

1 Claim, 1 Drawing Sheet



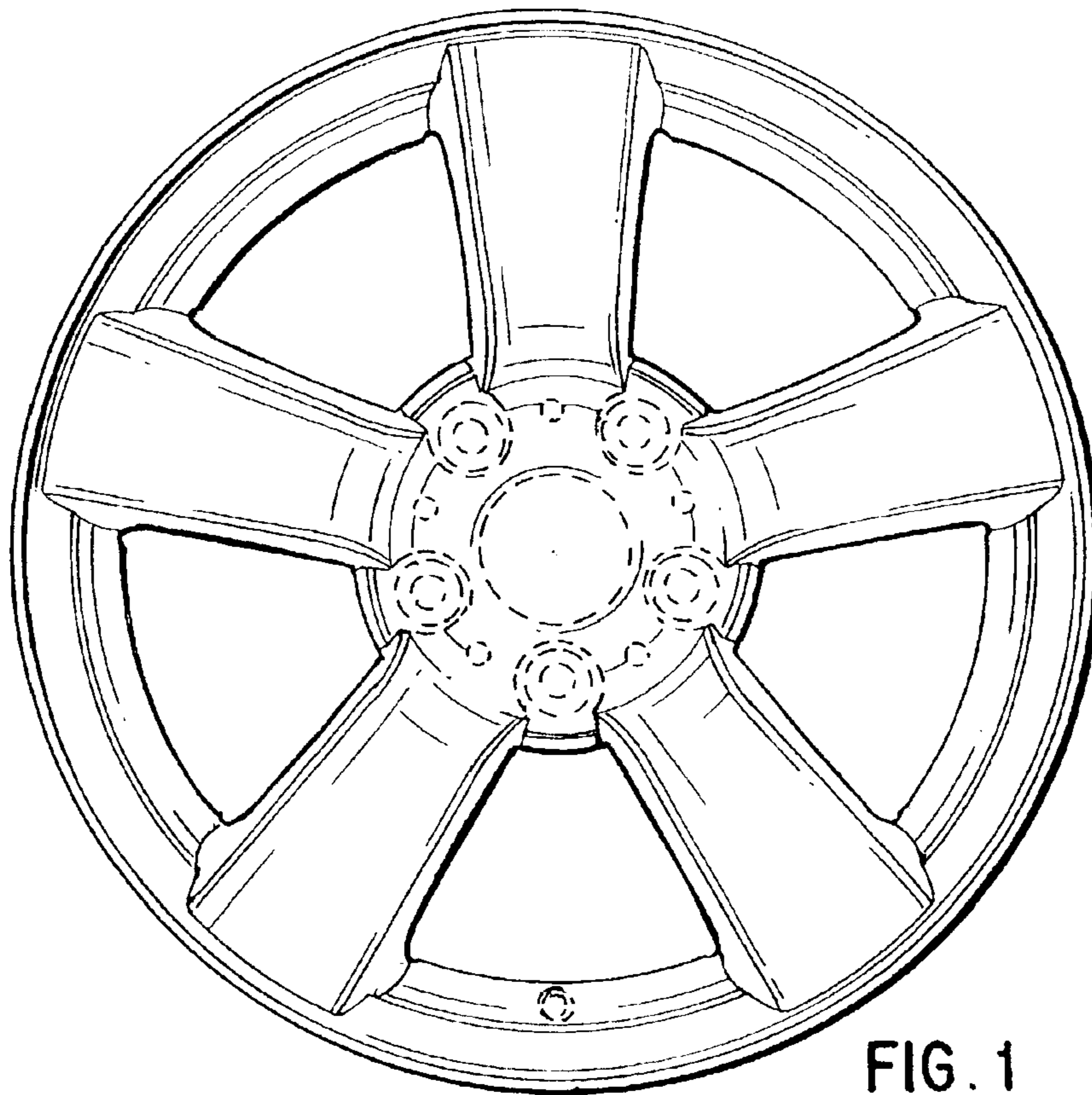


FIG. 1

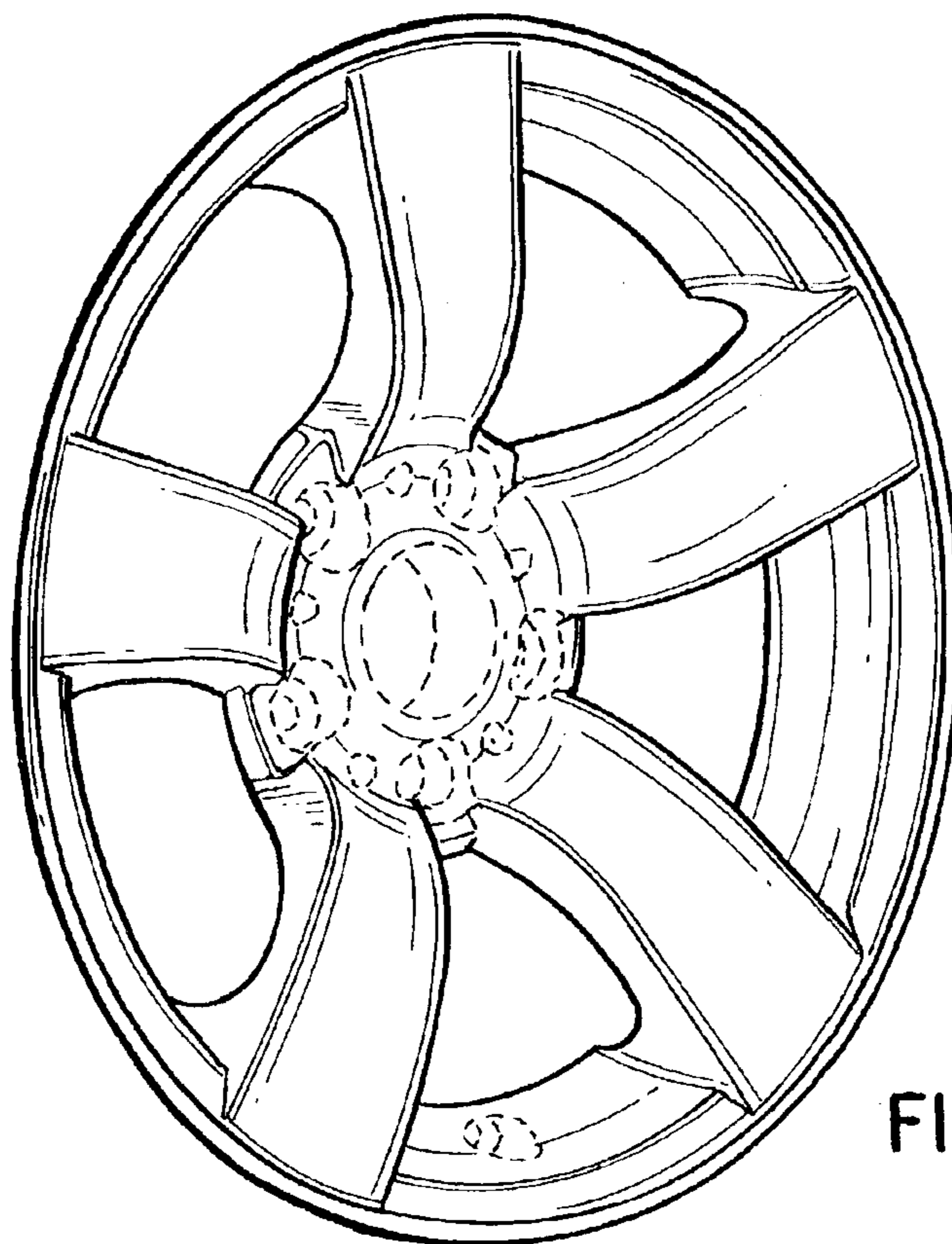


FIG. 2