

US00D503369S

(12) **United States Design Patent**
Kato

(10) **Patent No.:** **US D503,369 S**
(45) **Date of Patent:** **** Mar. 29, 2005**

(54) **DECORATIVE VEHICULAR WHEEL LIP**

(76) **Inventor:** **Joey K. Kato**, 27560 Glenwood Dr.,
Mission Viejo, CA (US) 92692

(**) **Term:** **14 Years**

(21) **Appl. No.:** **29/176,867**

(22) **Filed:** **Feb. 28, 2003**

(51) **LOC (7) Cl.** **12-16**

(52) **U.S. Cl.** **D12/208**

(58) **Field of Search** **D12/204-213;**
301/65, 37.1, 95, 96, 97; D25/119

(56) **References Cited**

U.S. PATENT DOCUMENTS

| | | | | | |
|-------------|---|---------|----------------|-------|------------|
| 2,126,222 A | * | 8/1938 | Schwinn | | 301/95.106 |
| D281,967 S | * | 12/1985 | Hashimoto | | D12/208 |
| D389,446 S | * | 1/1998 | Bradley | | D12/208 |
| D398,894 S | * | 9/1998 | Kelley | | D12/208 |
| D405,194 S | * | 2/1999 | Kenkel | | D25/119 |
| D438,499 S | * | 3/2001 | Schardt | | D12/208 |
| D490,167 S | * | 5/2004 | Eichner et al. | | D25/119 |

* cited by examiner

Primary Examiner—Charles Rademaker

Assistant Examiner—Maurice Stevens

(74) *Attorney, Agent, or Firm*—Stetina Brunda Garred &
Brucker

(57) **CLAIM**

The ornamental design for a decorative vehicular wheel lip,
as shown and described.

DESCRIPTION

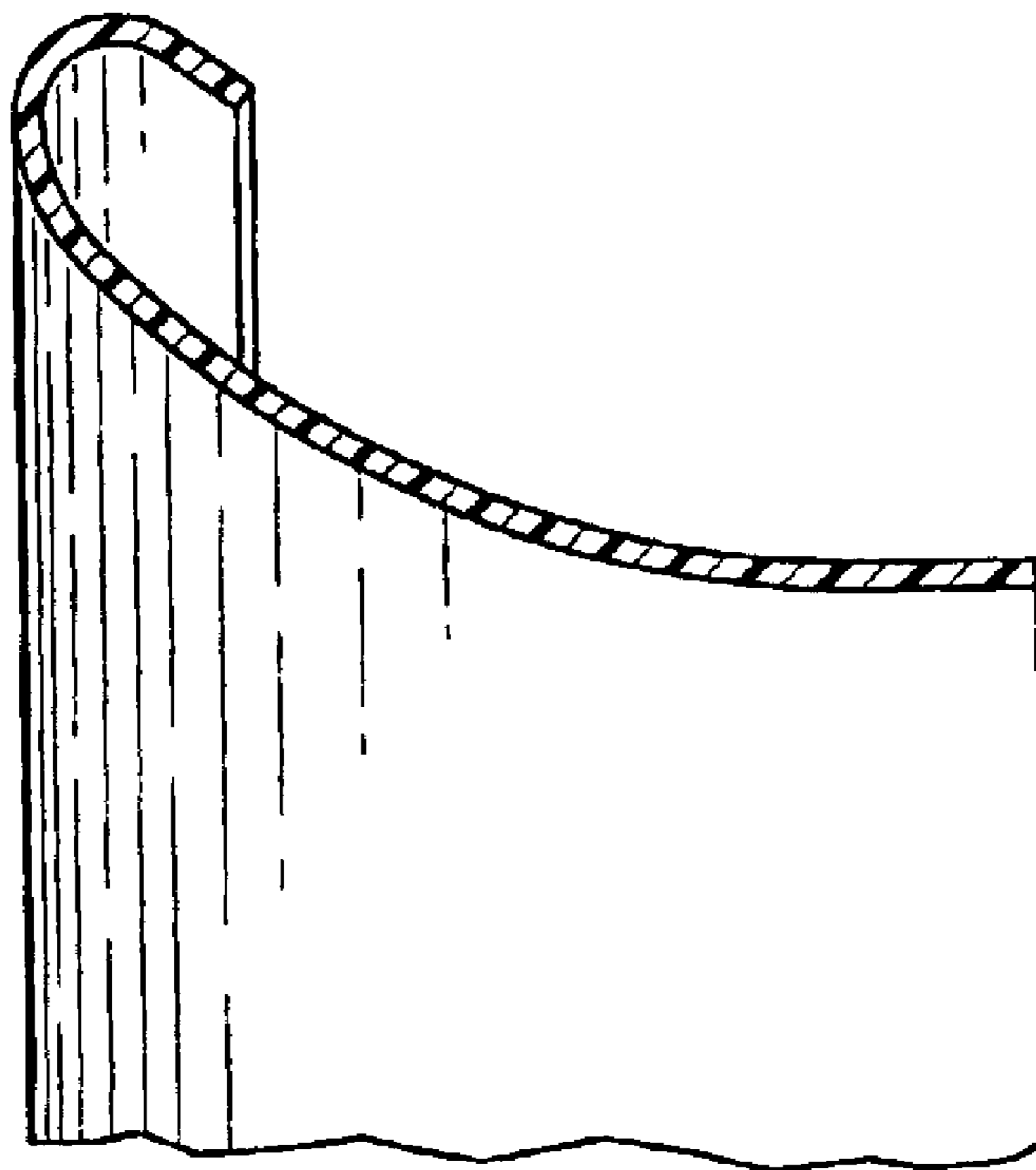
FIG. 1 is a front elevational view of the decorative vehicular
wheel lip of the present invention showing my new design
with the phantom lines depicting solely environmental struc-
ture and forming no part of the claimed design;

FIG. 2 is a side elevational view thereof with the phantom
lines depicting solely environmental structure and forming
no part of the claimed design;

FIG. 3 is a front elevational view thereof; and,

FIG. 4 is a cross-sectional view taken about lines 4—4 of
FIG. 1.

1 Claim, 2 Drawing Sheets



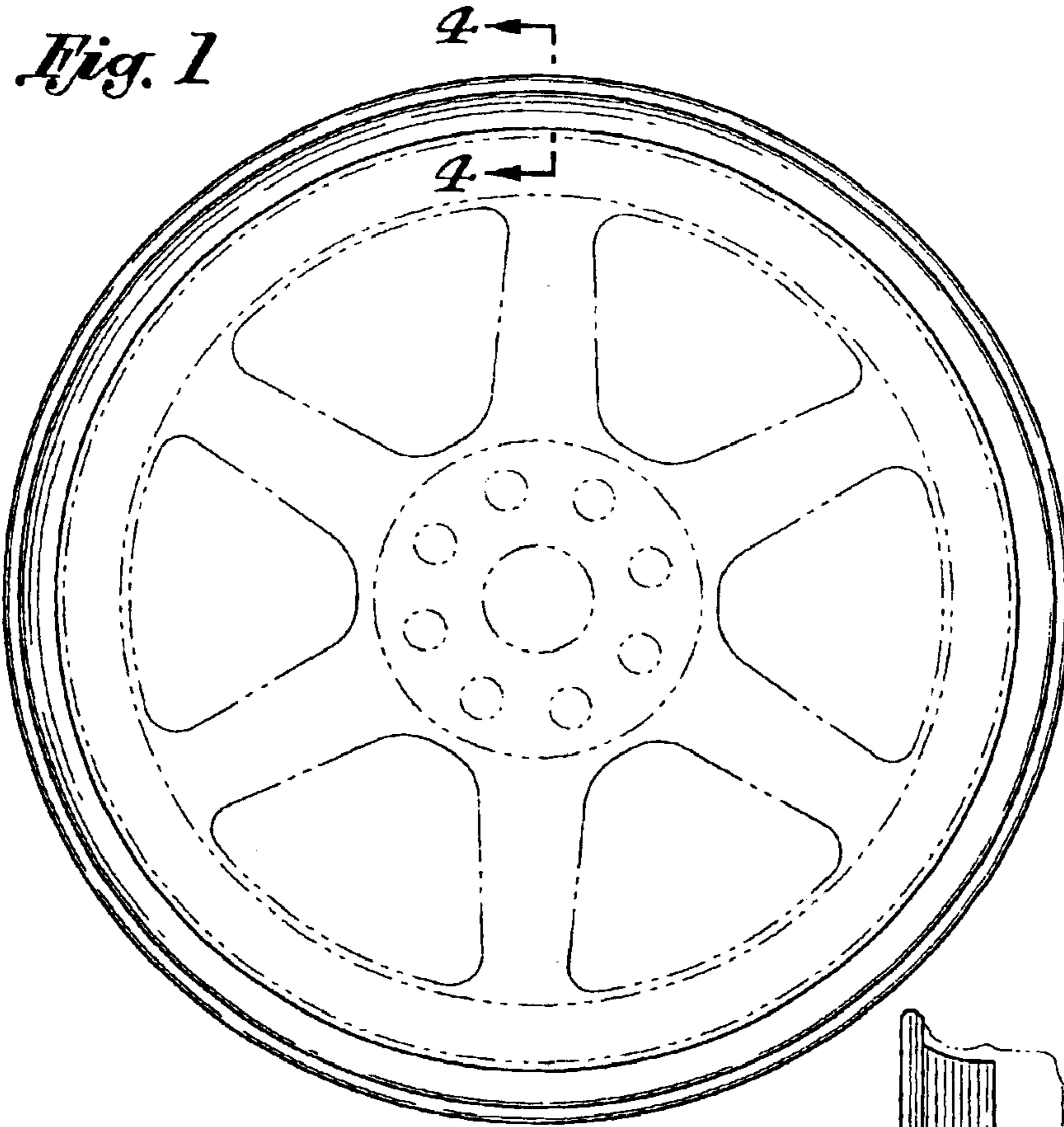
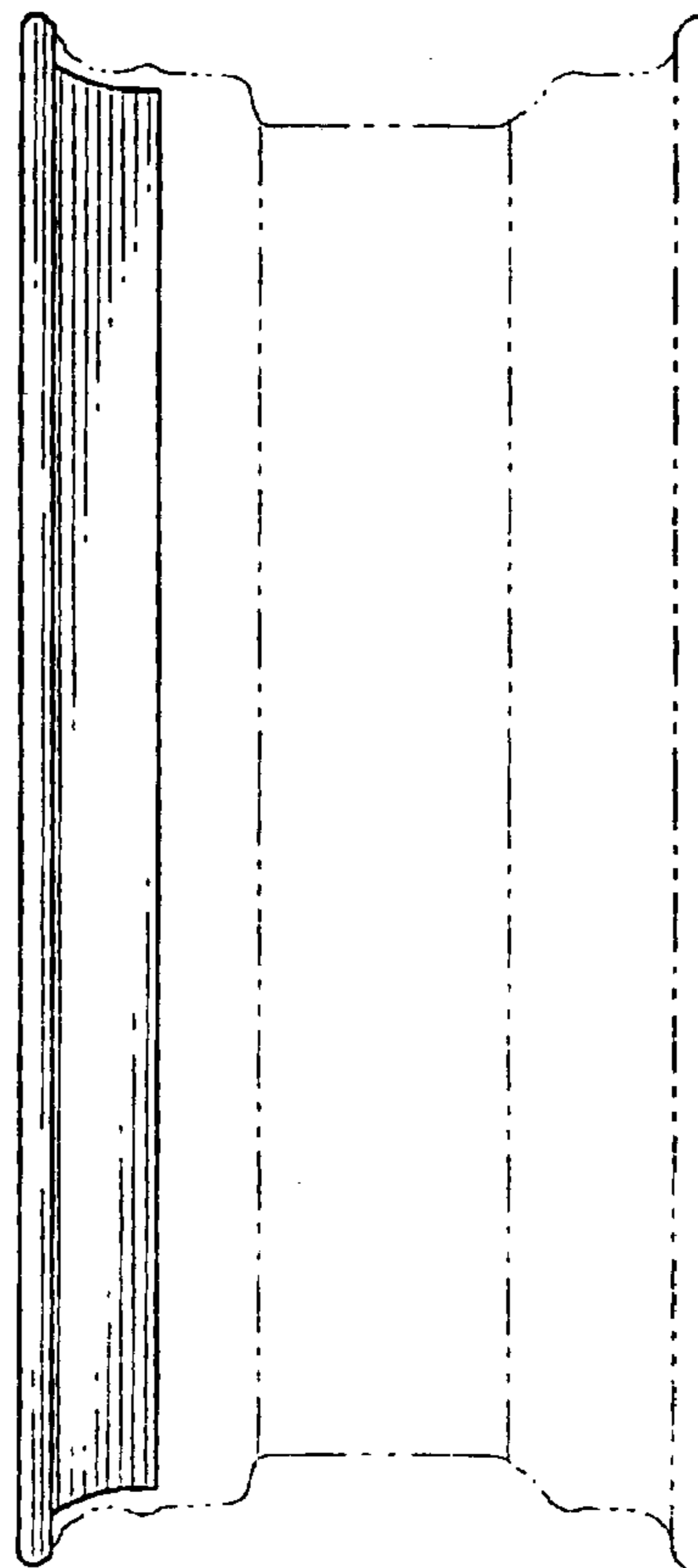


Fig. 2



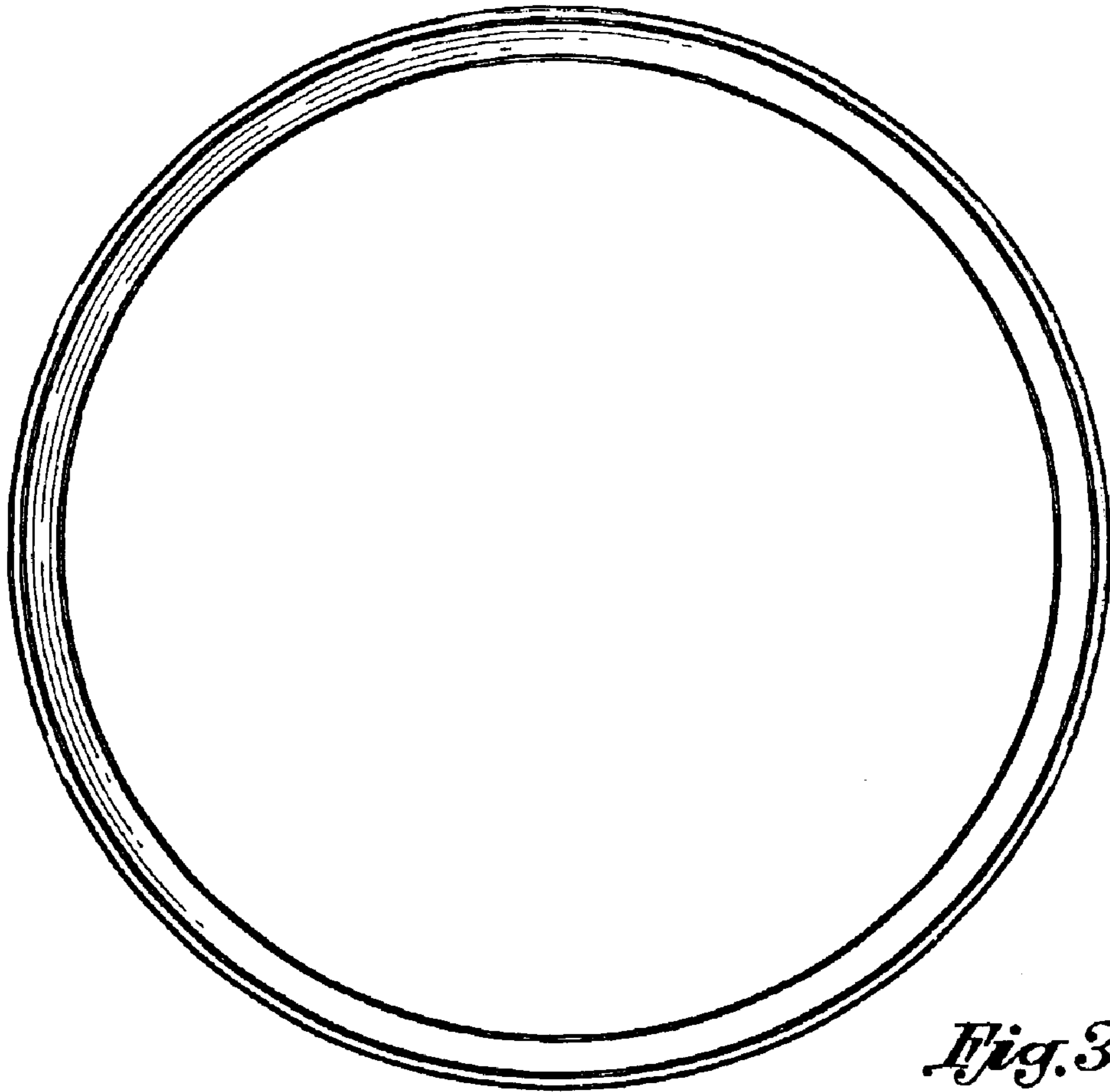


Fig. 3

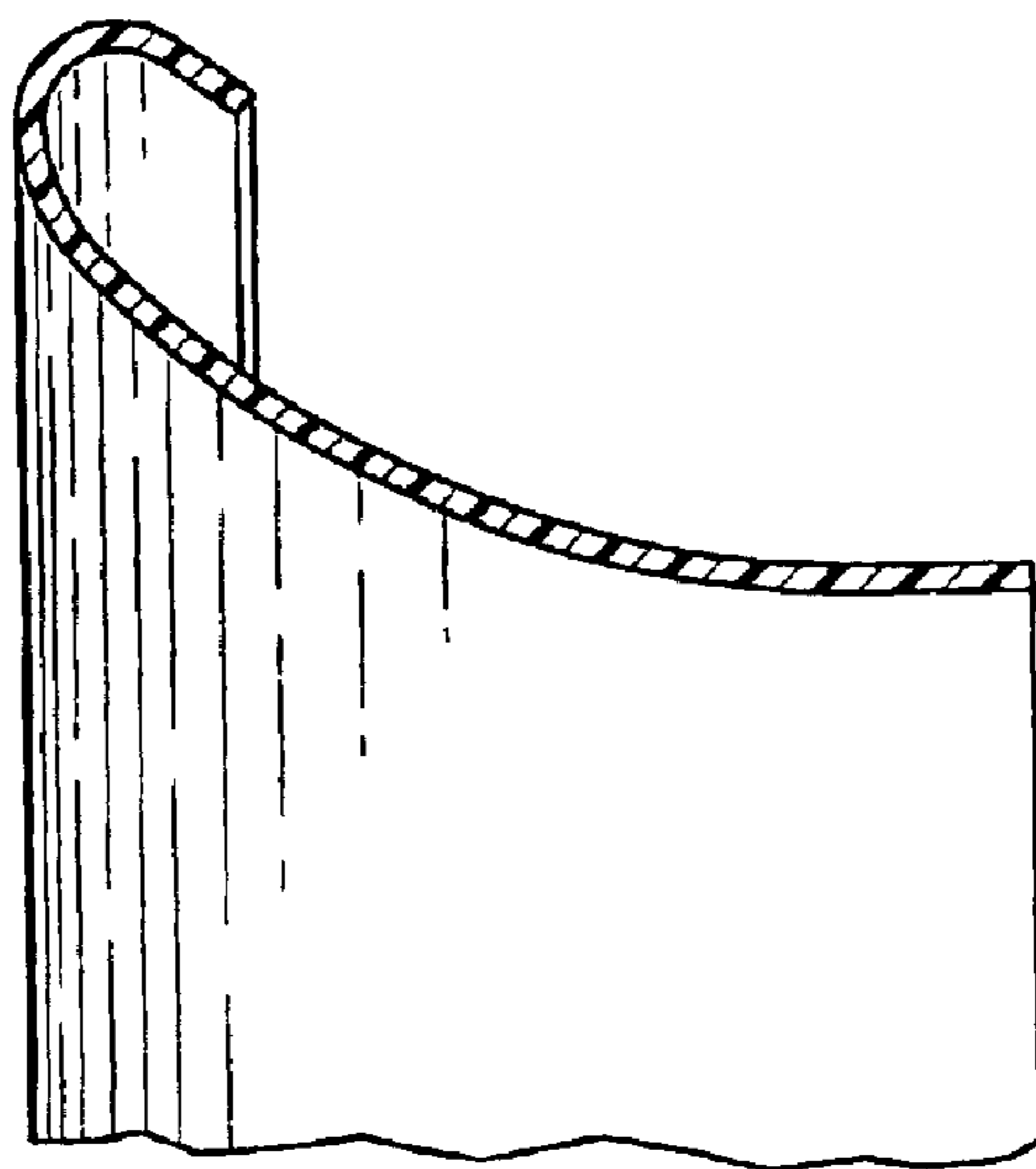


Fig. 4