

US00D503364S

(12) **United States Design Patent**
Miura

(10) **Patent No.:** **US D503,364 S**

(45) **Date of Patent:** **** Mar. 29, 2005**

(54) **CRAWLER TYPE POWERED WHEELCHAIR**

D489,652 S * 5/2004 Roach D12/131

(76) Inventor: **Takashi Miura**, Suzuki Haitu 101,
3-22-12 Nakazato, Kita-ku, Tokyo
114-0015 (JP)

* cited by examiner

Primary Examiner—Marcus A. Jackson
(74) *Attorney, Agent, or Firm*—Armstrong, Kratz, Quintos,
Hanson & Brooks, LLP

(**) Term: **14 Years**

(57) **CLAIM**

(21) Appl. No.: **29/210,502**

The ornamental design for a crawler type powered wheel-
chair, as shown and described.

(22) Filed: **Aug. 3, 2004**

(51) **LOC (7) Cl.** **12-12**

(52) **U.S. Cl.** **D12/131**

(58) **Field of Search** D12/128-133;
280/250.1, 304.1; 180/6.5, 65.1, 907, 908;
297/DIG. 4

DESCRIPTION

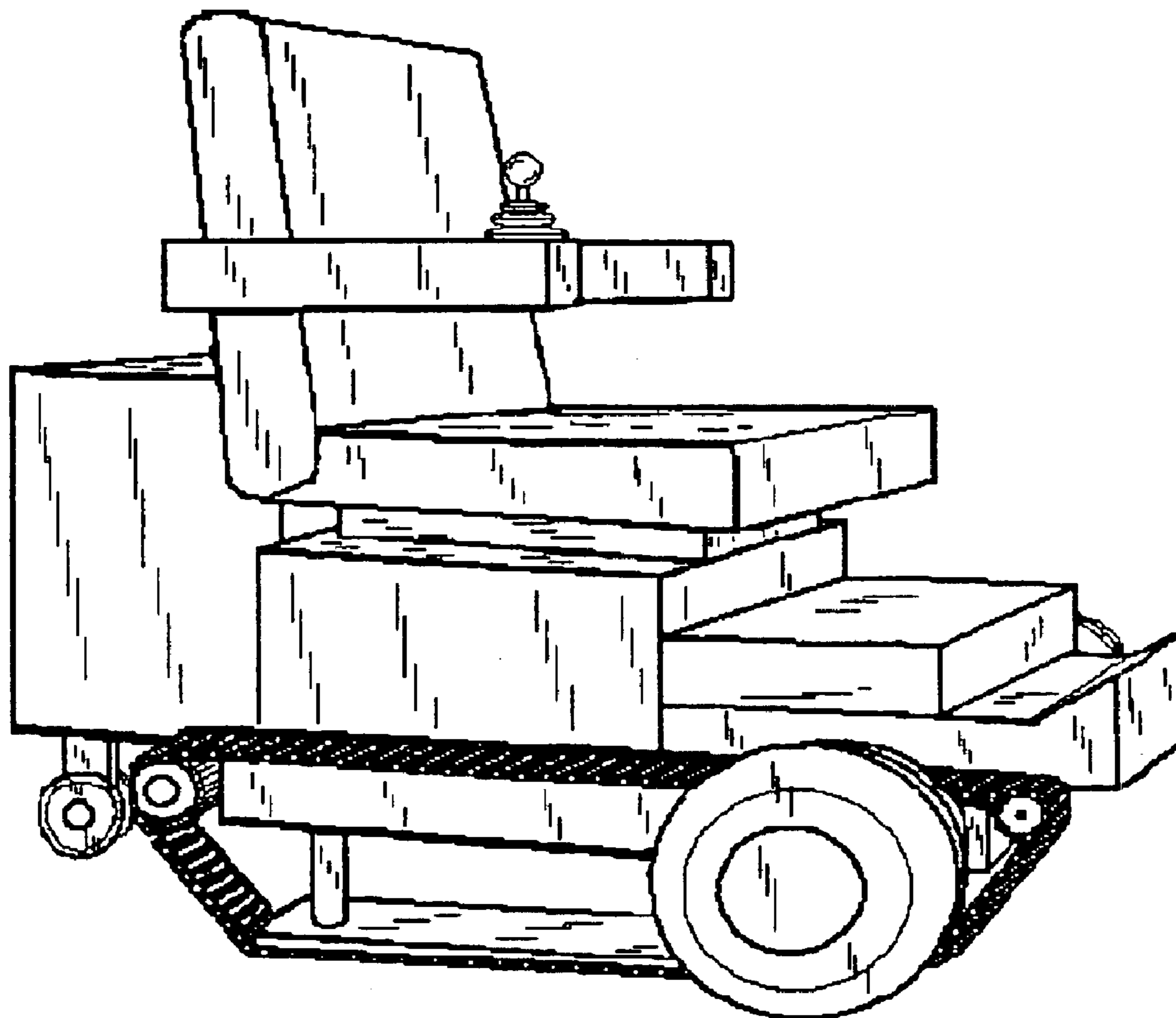
FIG. 1 is a perspective view of the crawler type powered
wheelchair of the present invention;
FIG. 2 is a front view thereof;
FIG. 3 is a rear view thereof;
FIG. 4 is a left side view thereof;
FIG. 5 is a right side view thereof;
FIG. 6 is a top view thereof; and,
FIG. 7 is a bottom view thereof.

(56) **References Cited**

U.S. PATENT DOCUMENTS

D413,554 S * 9/1999 Schlangen D12/131
D451,849 S * 12/2001 Noshi D12/131
D468,240 S * 1/2003 Lee D12/131

1 Claim, 5 Drawing Sheets



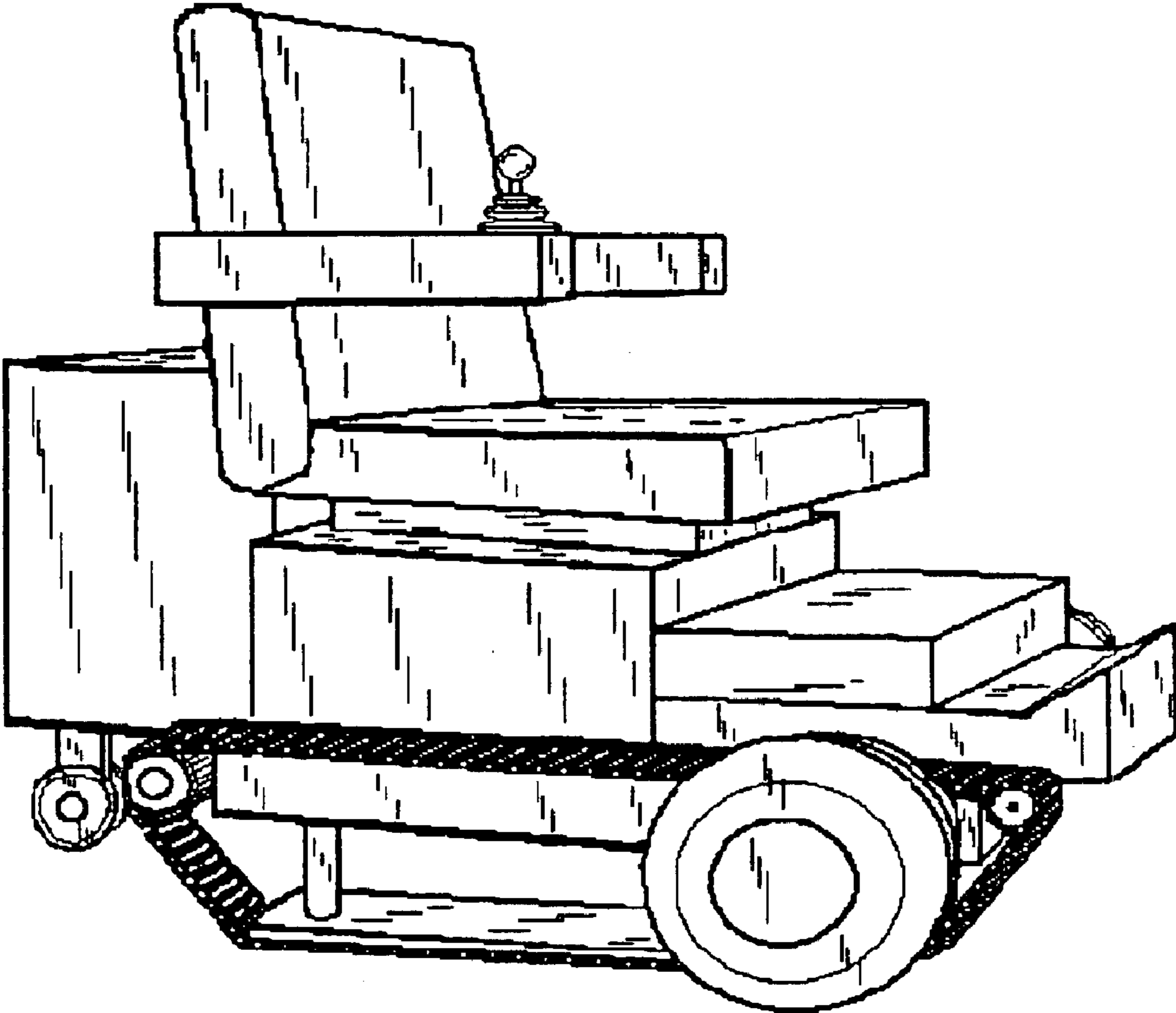


FIG. 1

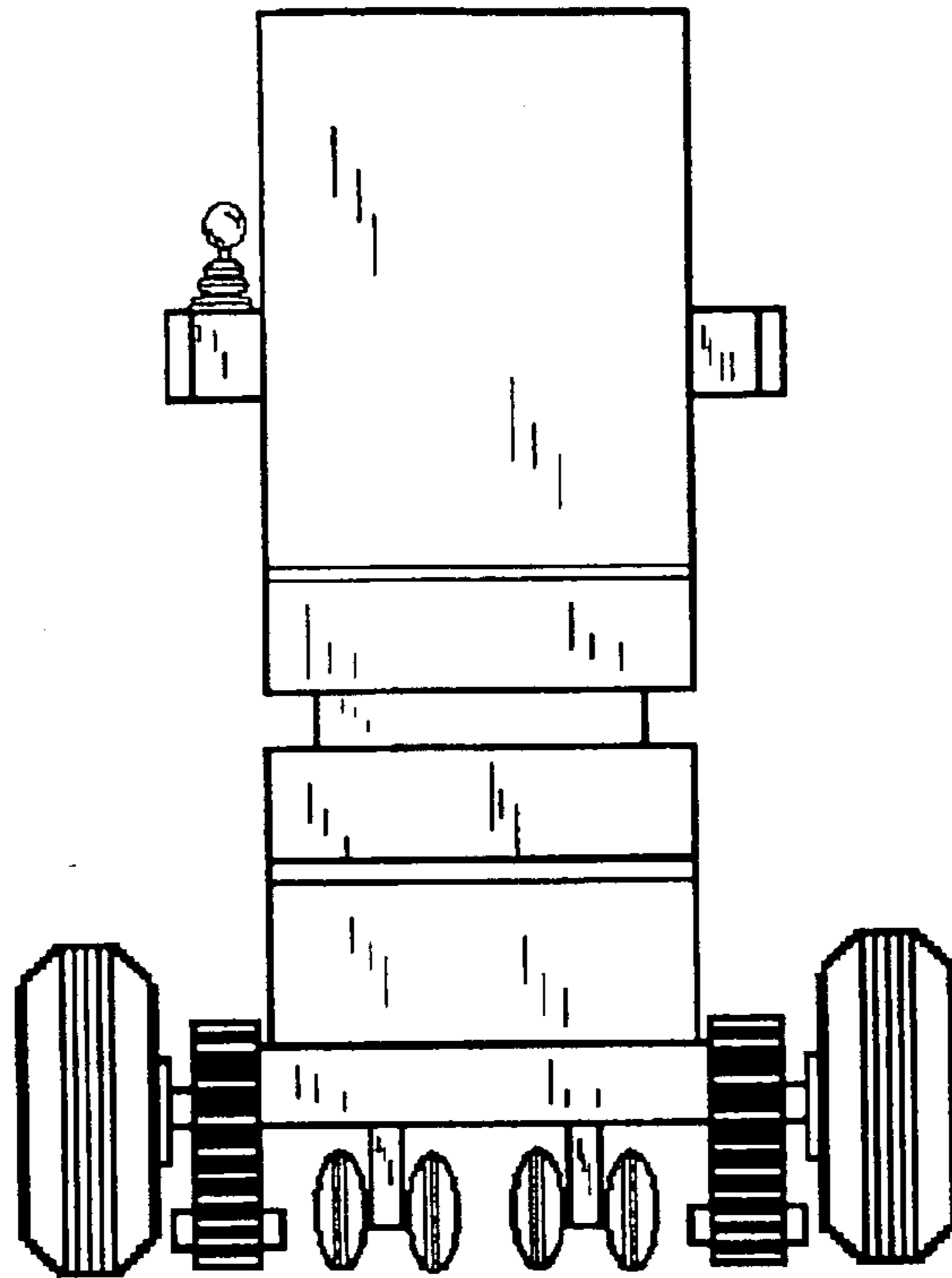


FIG. 2

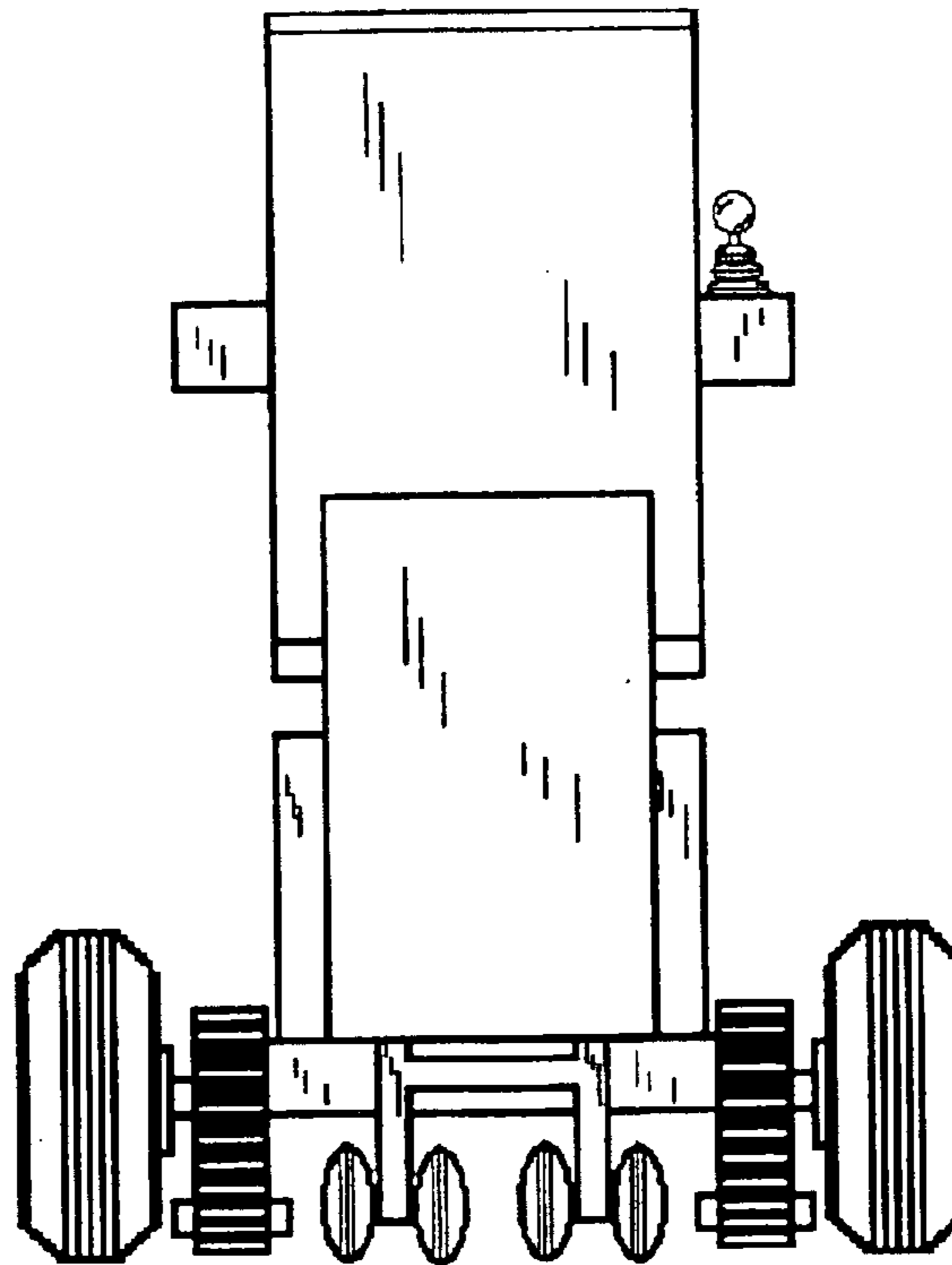


FIG. 3

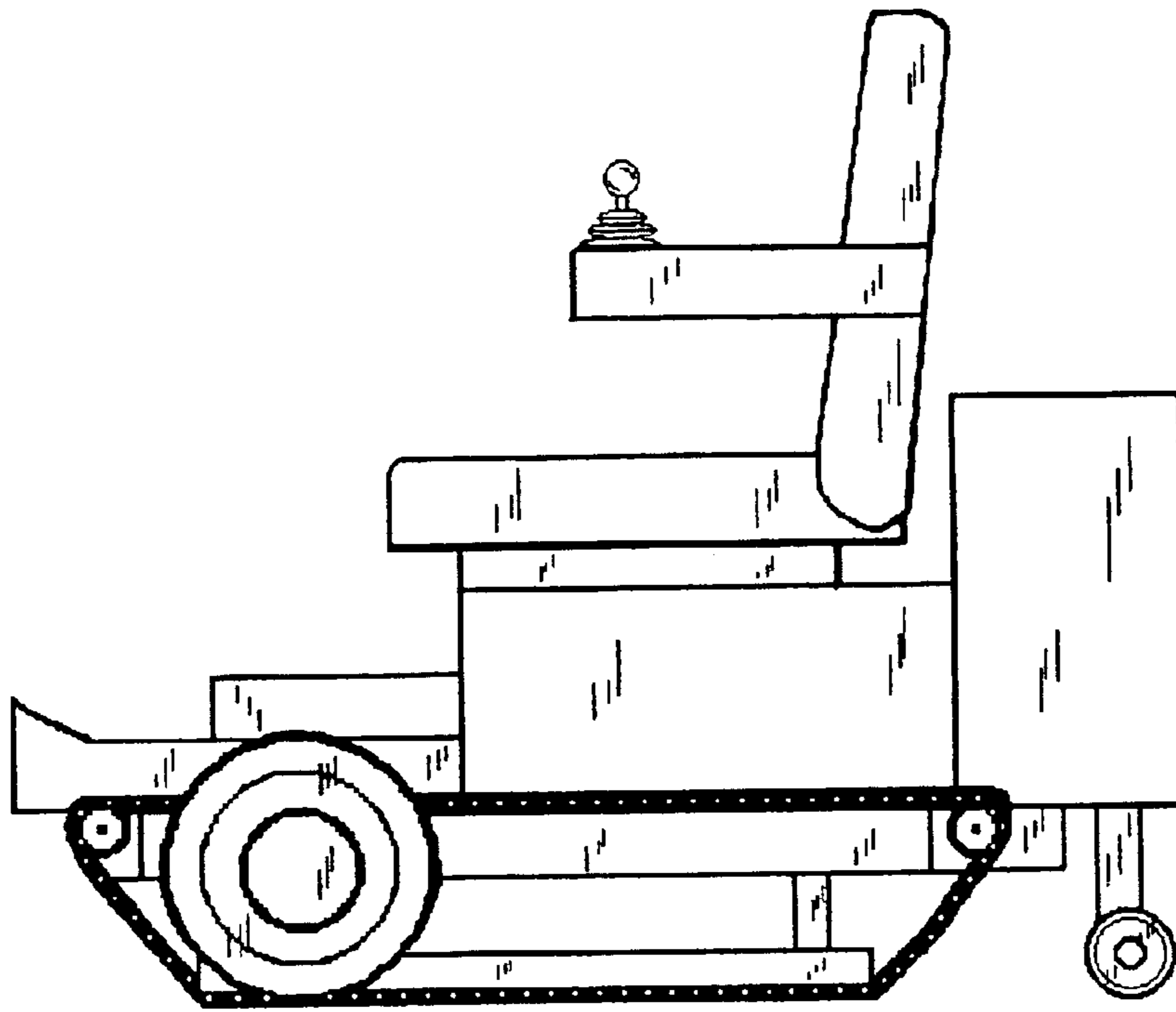


FIG.4

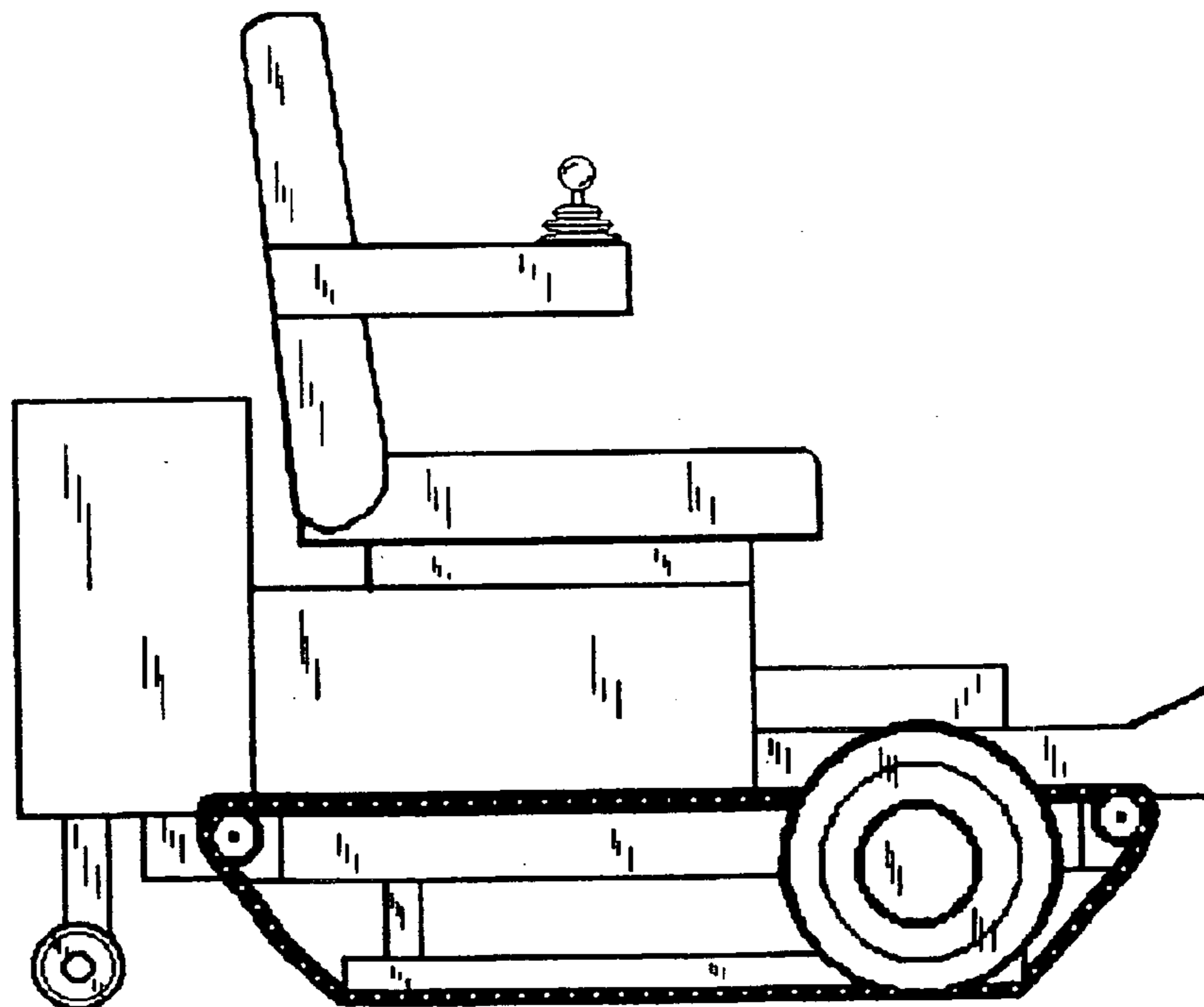


FIG.5

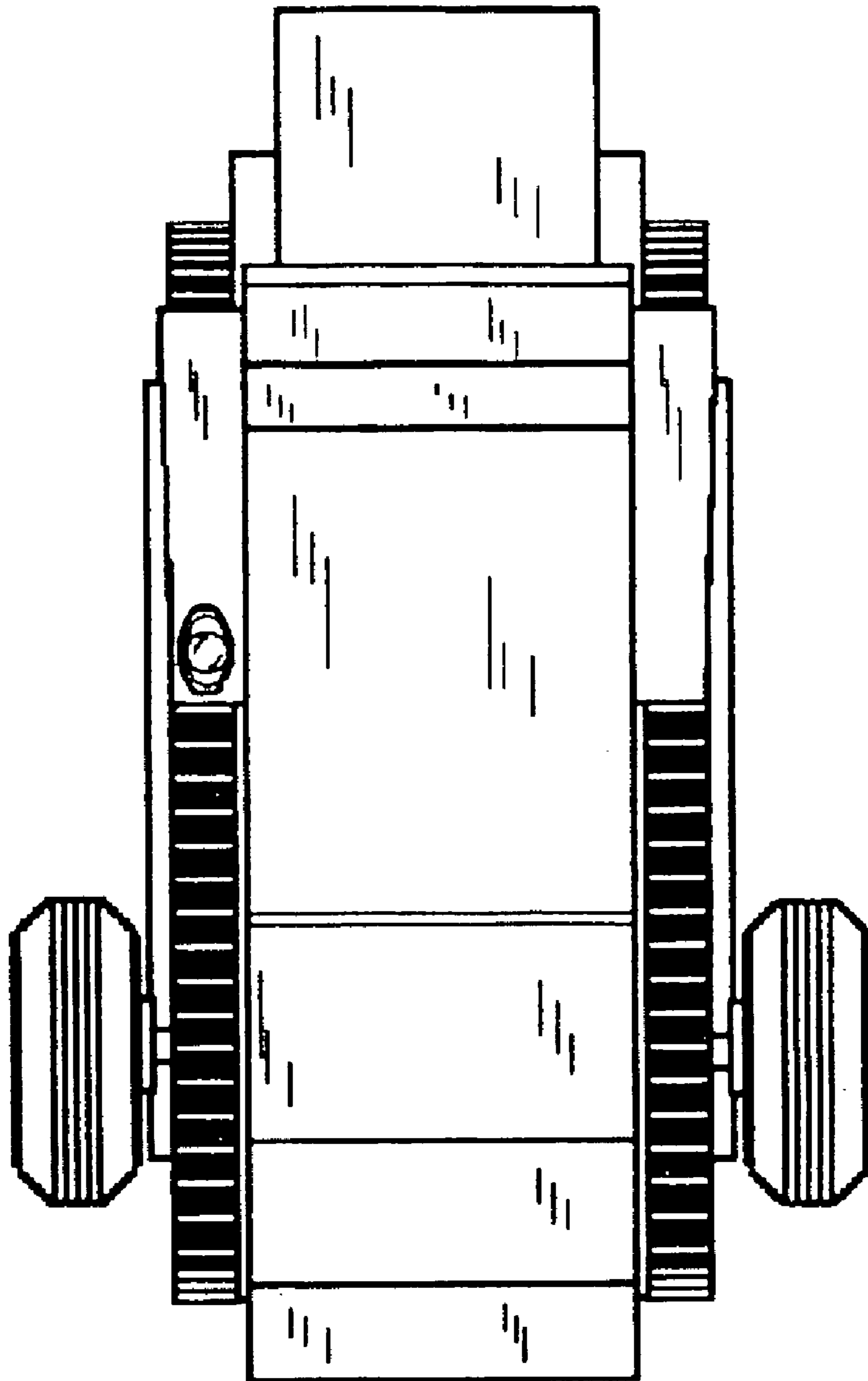


FIG.6

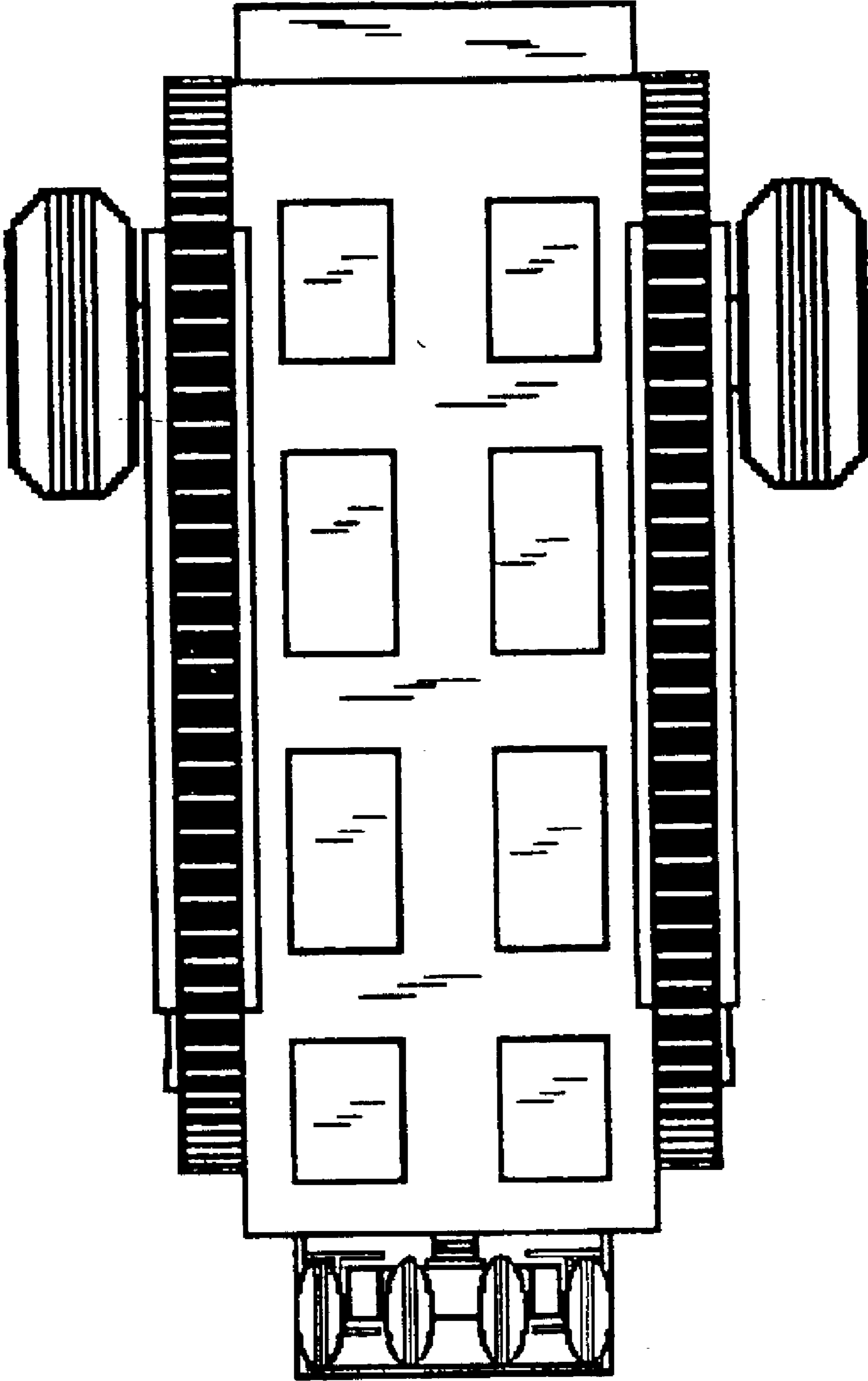


FIG.7