

US00D503362S

(12) **United States Design Patent**  
**Zhu et al.**

(10) **Patent No.:** **US D503,362 S**  
(45) **Date of Patent:** **\*\* Mar. 29, 2005**

(54) **ELECTRIC BICYCLE**

(76) Inventors: **Lyguo Zhu**, 24 W. Street, Duqiao Town, Linhai, Zhejiang (CN); **Tong Zhu**, 27 Lishan Road, Chengguan Town, Linhai, Zhejiang (CN)

(\*\*) Term: **14 Years**

(21) Appl. No.: **29/202,171**

(22) Filed: **Mar. 26, 2004**

(51) **LOC (7) Cl.** ..... **12-11**

(52) **U.S. Cl.** ..... **D12/111**

(58) **Field of Search** ..... D12/110, 111;  
280/274-280, 281.1, 283-288, 288.1-288.3;  
180/205, 206, 65.1, 65.6, 216, 227

(56) **References Cited**

**U.S. PATENT DOCUMENTS**

D466,839 S \* 12/2002 Ou ..... D12/110

\* cited by examiner

*Primary Examiner*—Alan P. Douglas  
*Assistant Examiner*—Linda Brooks

(74) *Attorney, Agent, or Firm*—Synnestvedt Lechner & Woodridge, LLP; Richard C. Woodbridge, Esq.

(57) **CLAIM**

The ornamental design for an electric bicycle, as shown and described.

**DESCRIPTION**

FIG. 1 Left side perspective elevation view of our electric bicycle.

FIG. 2 Front perspective view thereof.

FIG. 3 Right side perspective elevation view thereof.

FIG. 4 Front perspective elevation view thereof.

FIG. 5 Rear perspective elevation view thereof; and,

FIG. 6 Top perspective view thereof.

**1 Claim, 6 Drawing Sheets**



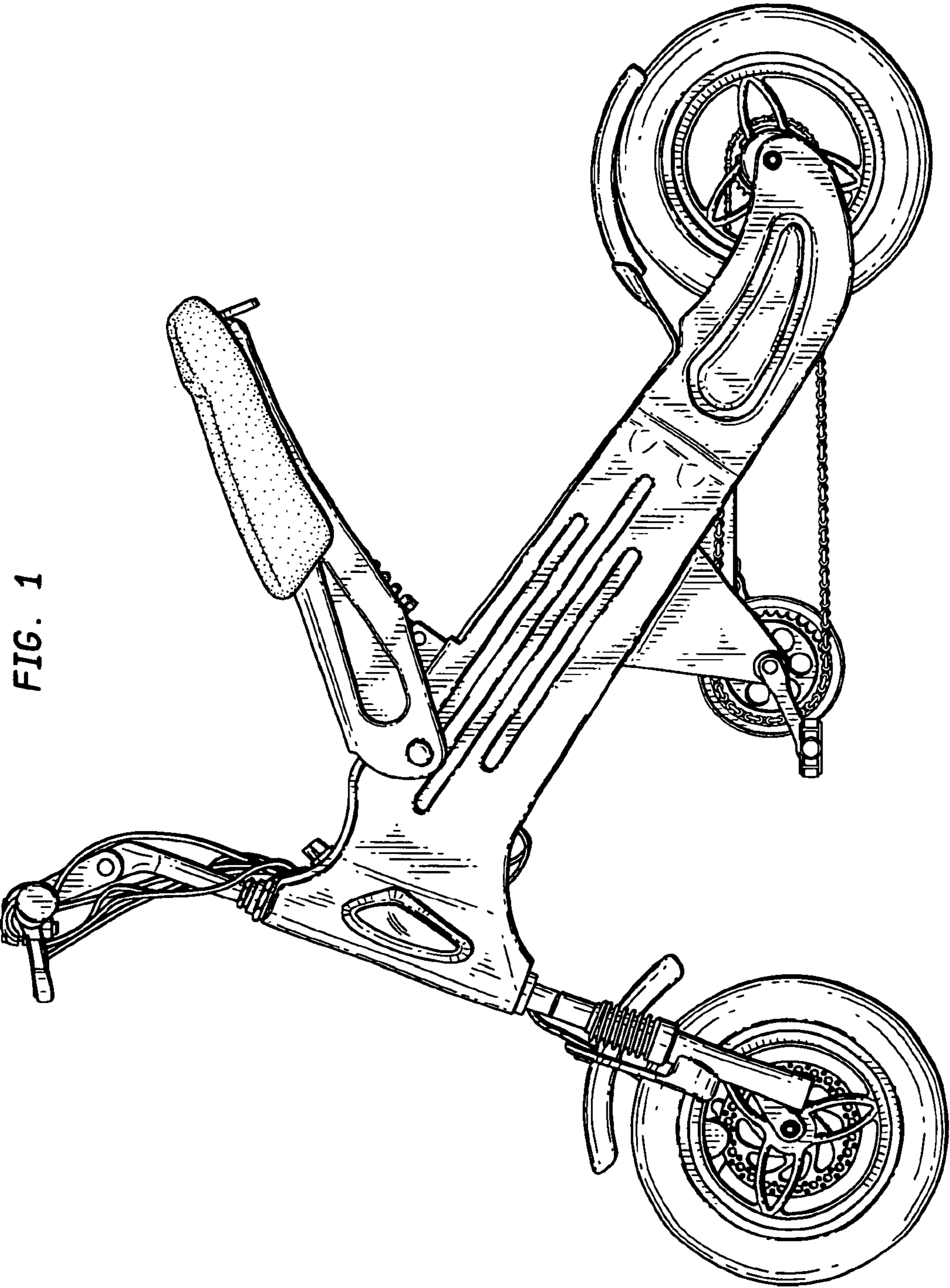


FIG. 1

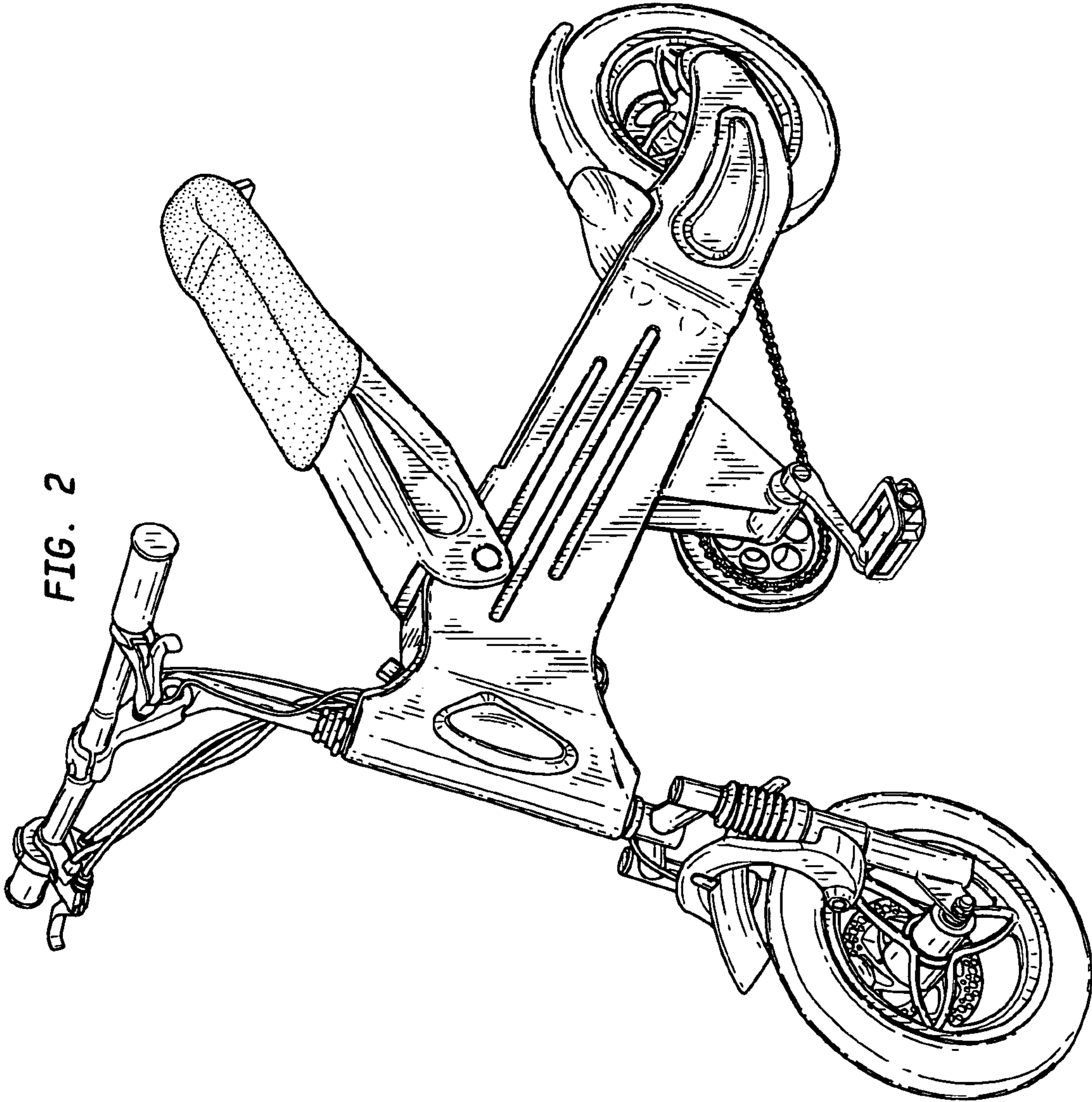


FIG. 2

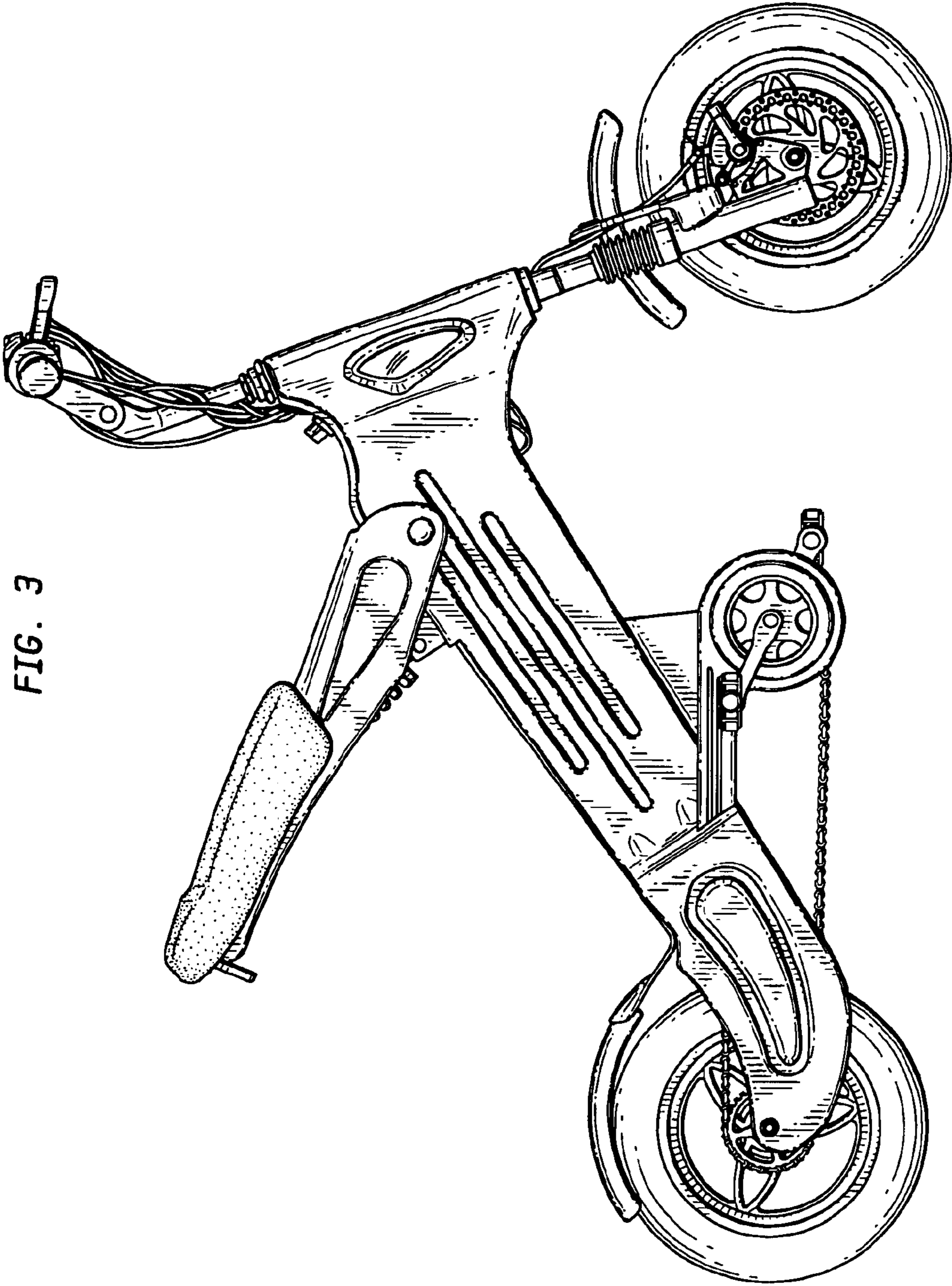


FIG. 3

FIG. 4

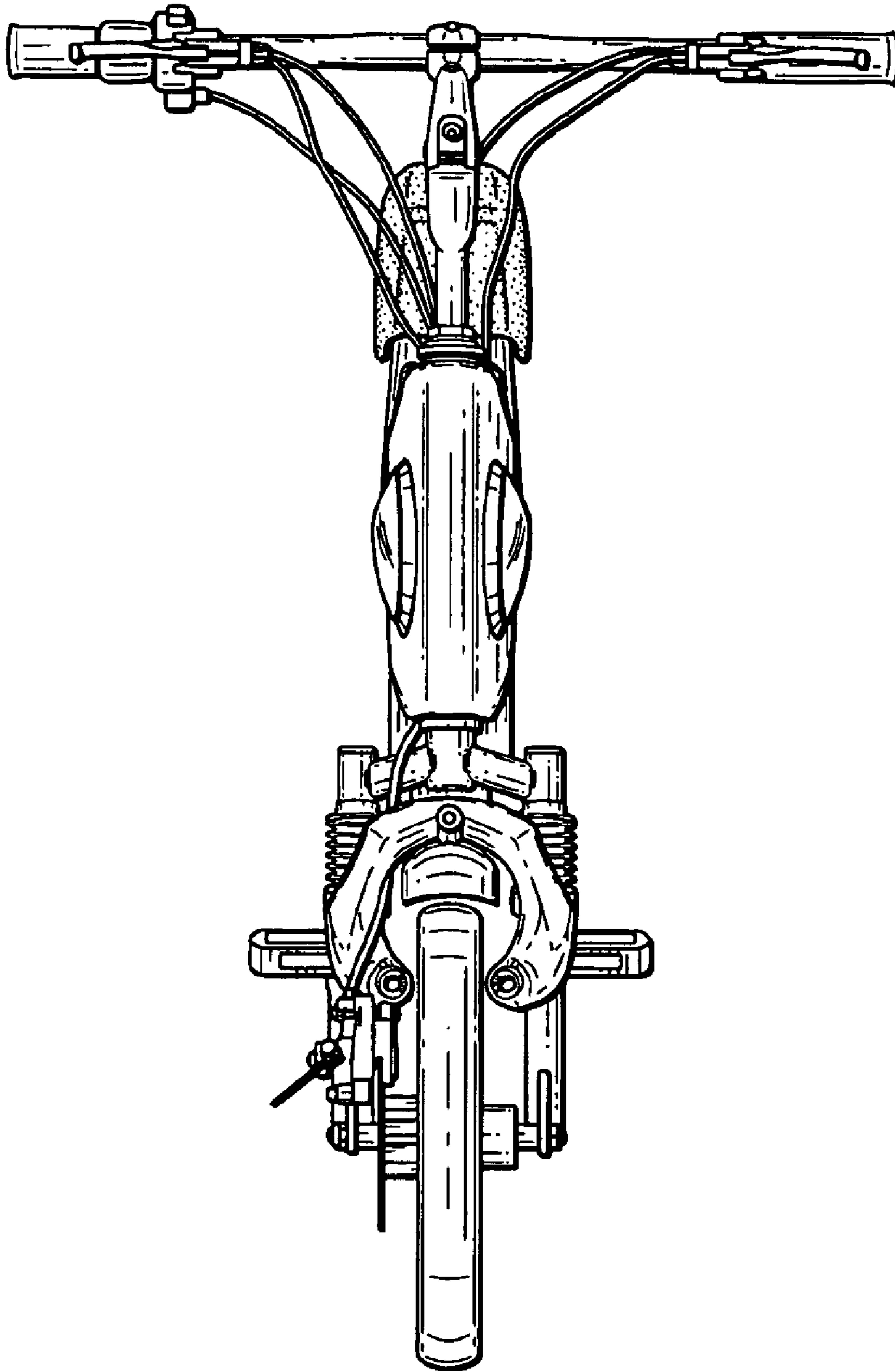


FIG. 5

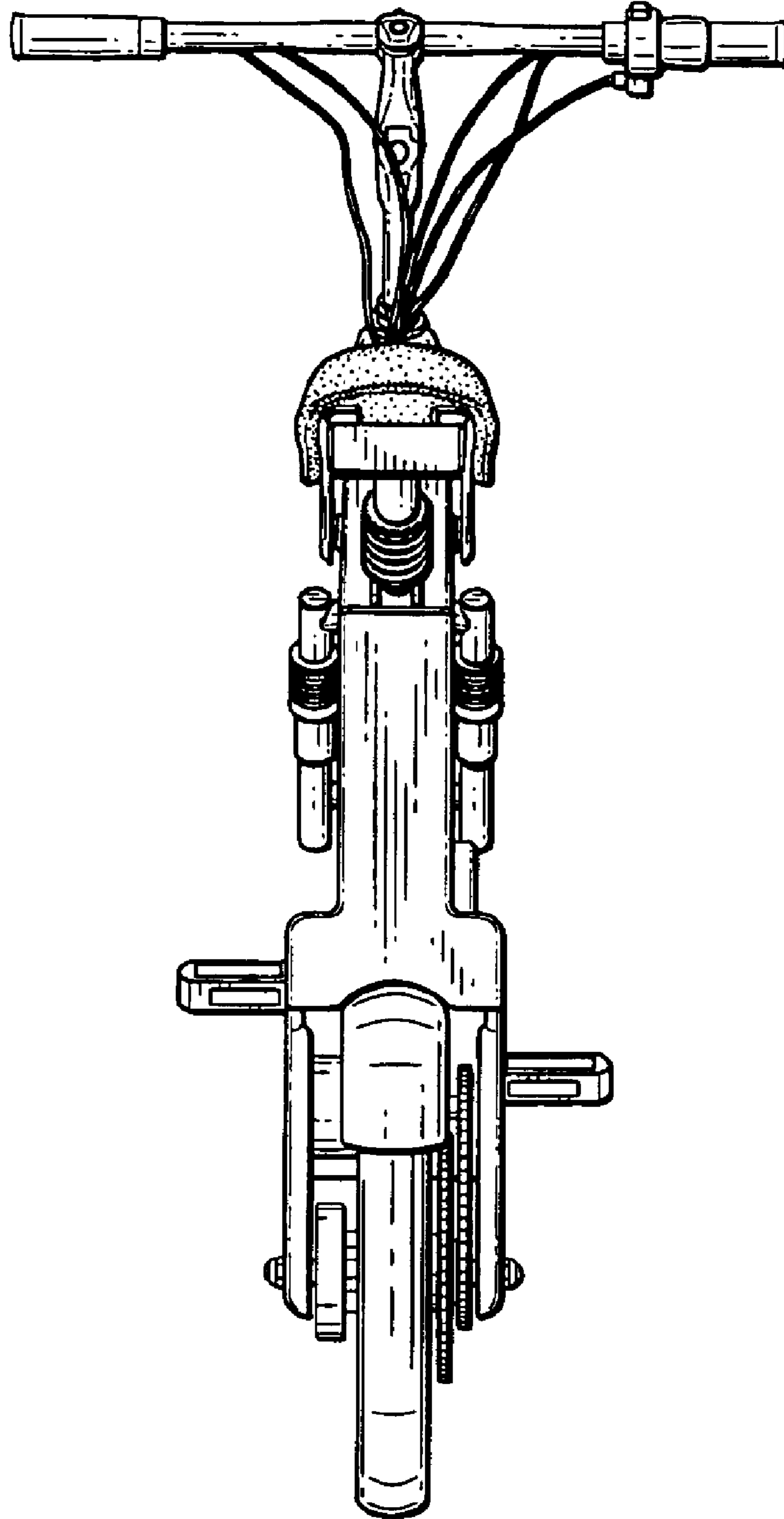


FIG. 6

