

US00D503353S

(12) **United States Design Patent**
Singer et al.

(10) **Patent No.: US D503,353 S**

(45) **Date of Patent: ** *Mar. 29, 2005**

(54) **GAS READER**

(76) Inventors: **Dave Singer**, 4105 Oxlea Dr., Plano, TX (US) 75024; **Sam Ivey**, 507 S. Lois La., Richardson, TX (US) 75081; **Kevin Hodge**, 1845 Lynn La., Lucas, TX (US) 75002

(*) Notice: This patent is subject to a terminal disclaimer.

(**) Term: **14 Years**

(21) Appl. No.: **29/187,625**

(22) Filed: **Aug. 4, 2003**

(51) **LOC (7) Cl. 10-04**

(52) **U.S. Cl. D10/81**

(58) **Field of Search** D10/81; 73/1.16, 73/1.37, 31.07, 31.05, 1.01-1.07, 116; 702/100; 340/632, 633

(56) **References Cited**

U.S. PATENT DOCUMENTS

3,999,440	A	*	12/1976	Kain	73/431
D447,974	S	*	9/2001	Koyano et al.	D10/106
D485,771	S	*	1/2004	Ribeiro	D10/81
2001/0018844	A1	*	9/2001	Parekh	73/1.06
2002/0126017	A1	*	9/2002	Kim	340/633
2004/0074279	A1	*	4/2004	Forrest	73/1.06
2004/0145485	A1	*	7/2004	Tice	340/632

* cited by examiner

Primary Examiner—Antoine D. Davis

(74) *Attorney, Agent, or Firm*—Schultz & Associates, PC

(57) **CLAIM**

The ornamental design for a gas reader, as shown and described.

DESCRIPTION

FIG. 1 is a left side perspective view of the gas reader in accordance with the present invention;

FIG. 2 is a right side perspective view of the gas reader in accordance with the present invention;

FIG. 3 is a side view of the gas reader in accordance with the present invention;

FIG. 4 is a front view of the gas reader in accordance with the present invention;

FIG. 5 is a back view of the gas reader in accordance with the present invention;

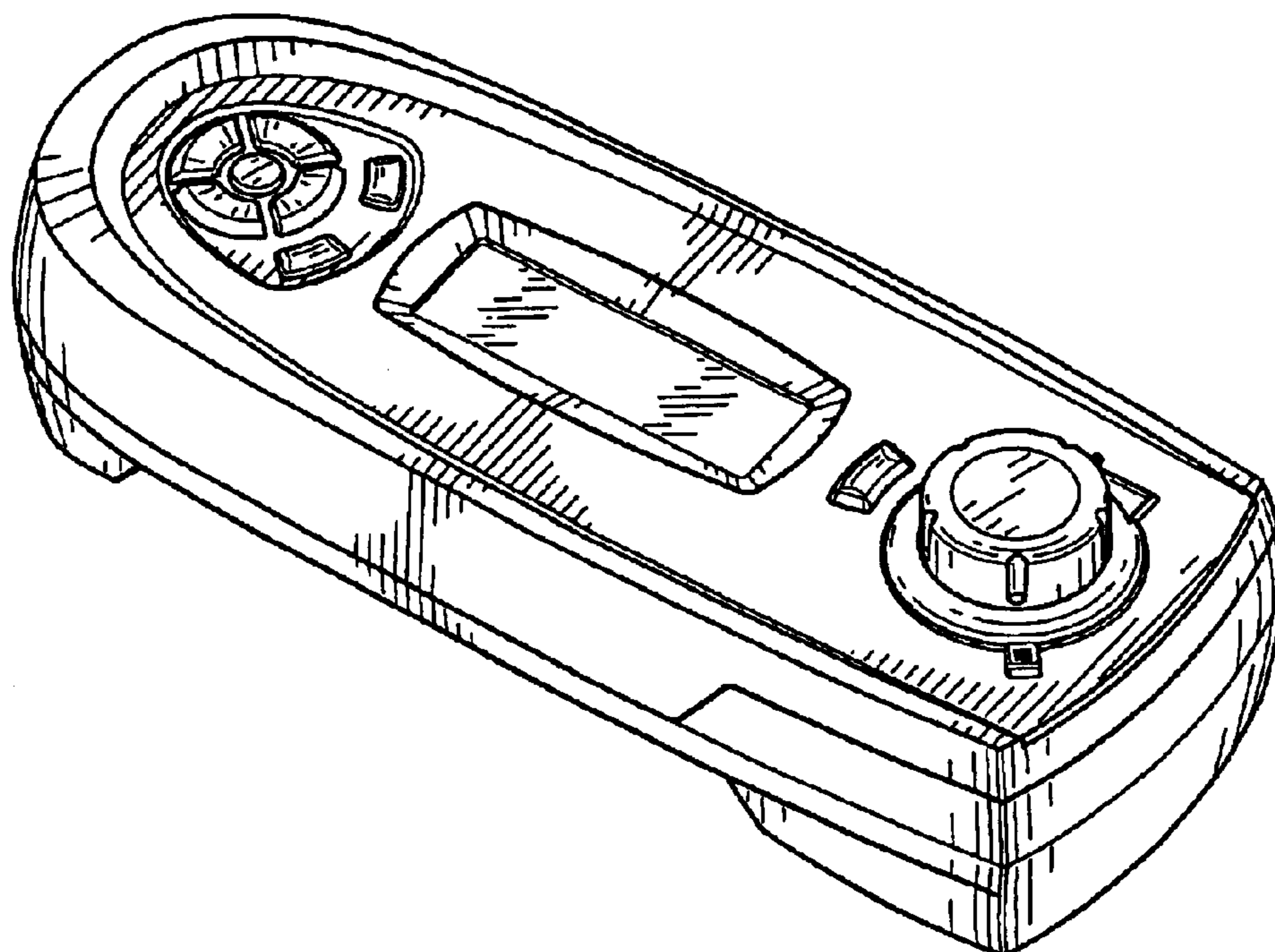
FIG. 6 is a side view of the gas reader in accordance with the present invention;

FIG. 7 is a top view of the gas reader in accordance with the present invention; and,

FIG. 8 is a bottom view of the gas reader in accordance with the present invention.

Any dashed lines depict environment and are not part of the claimed design. In addition, any stippling shown in the drawing is for shading purposes, and does not form a part of the claimed design.

1 Claim, 3 Drawing Sheets



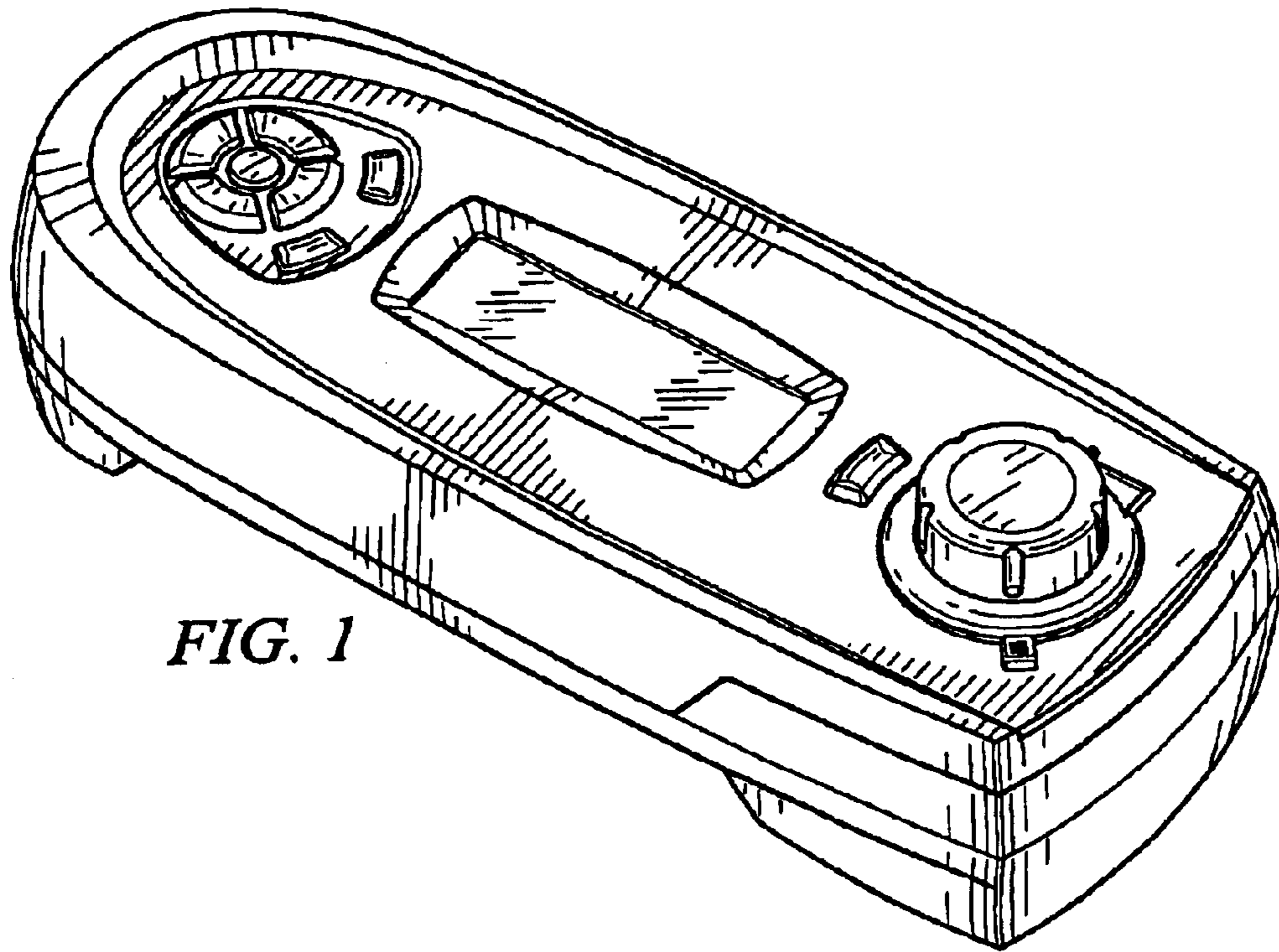


FIG. 1

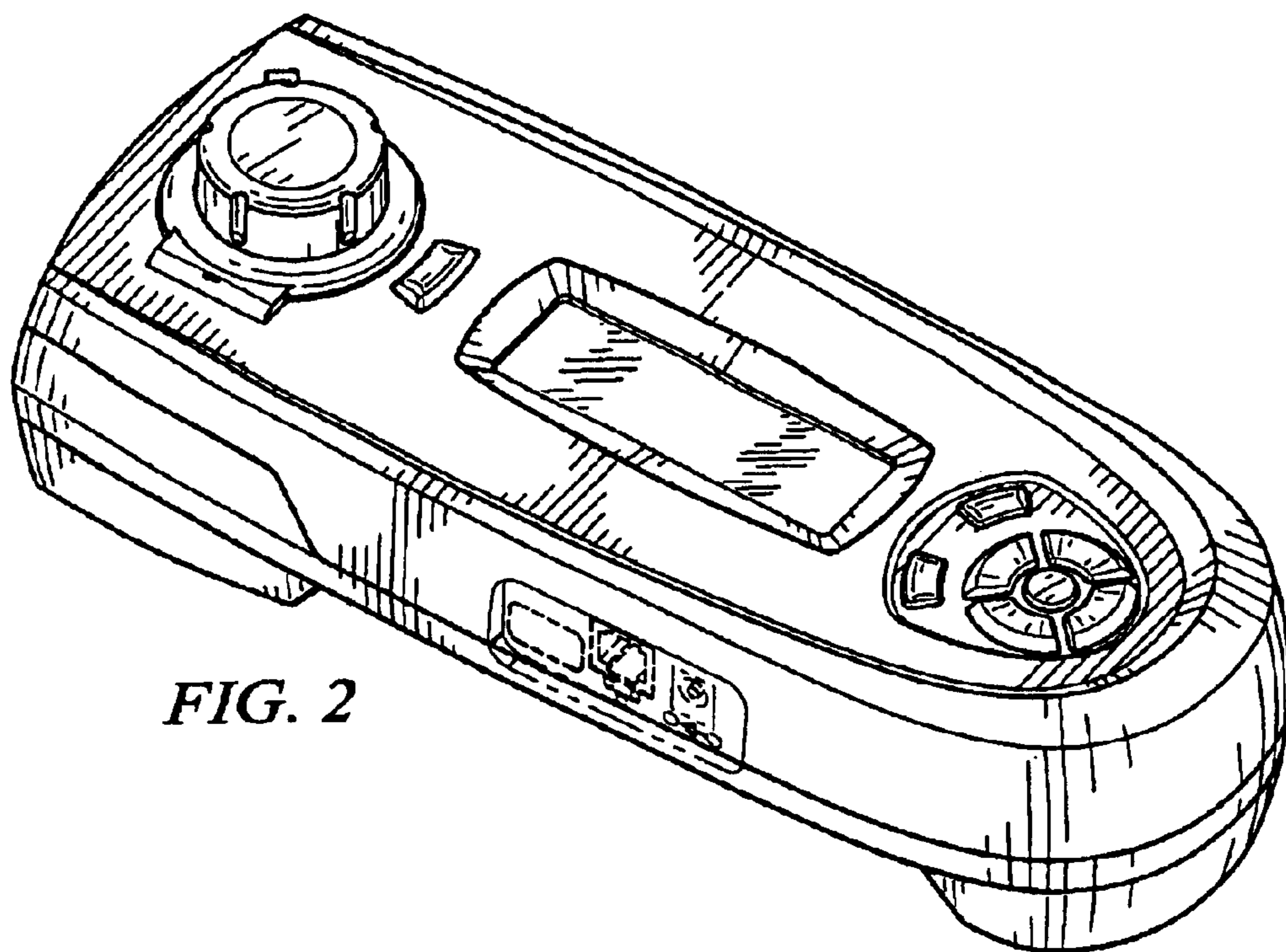


FIG. 2

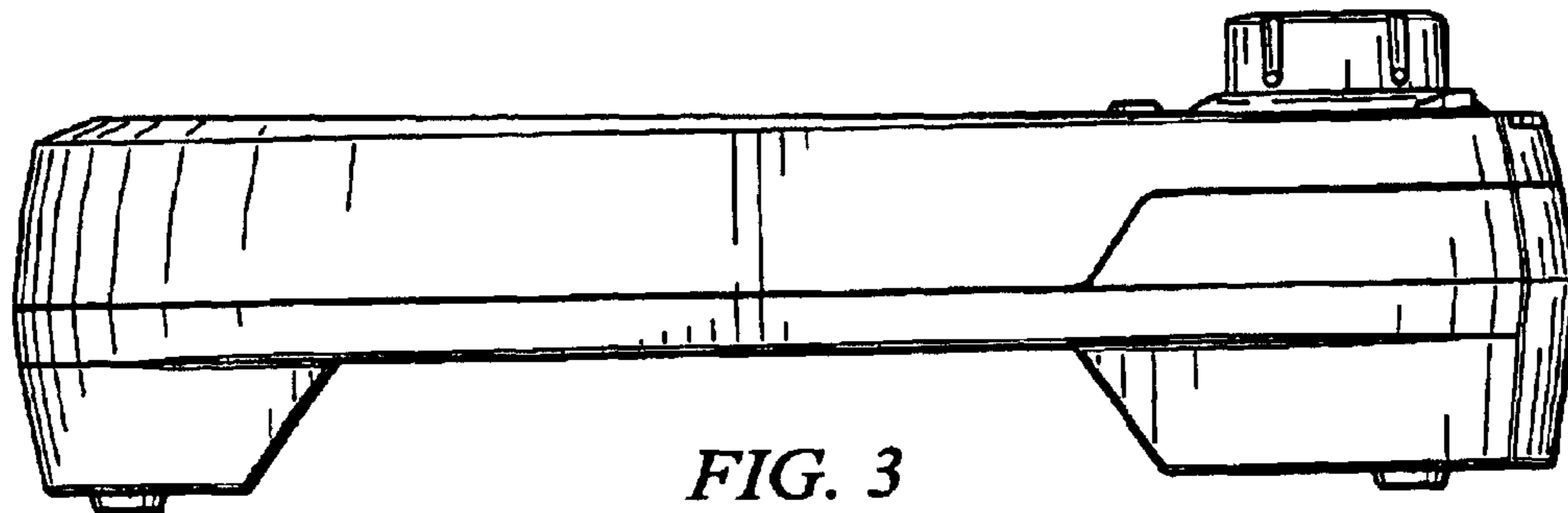


FIG. 3

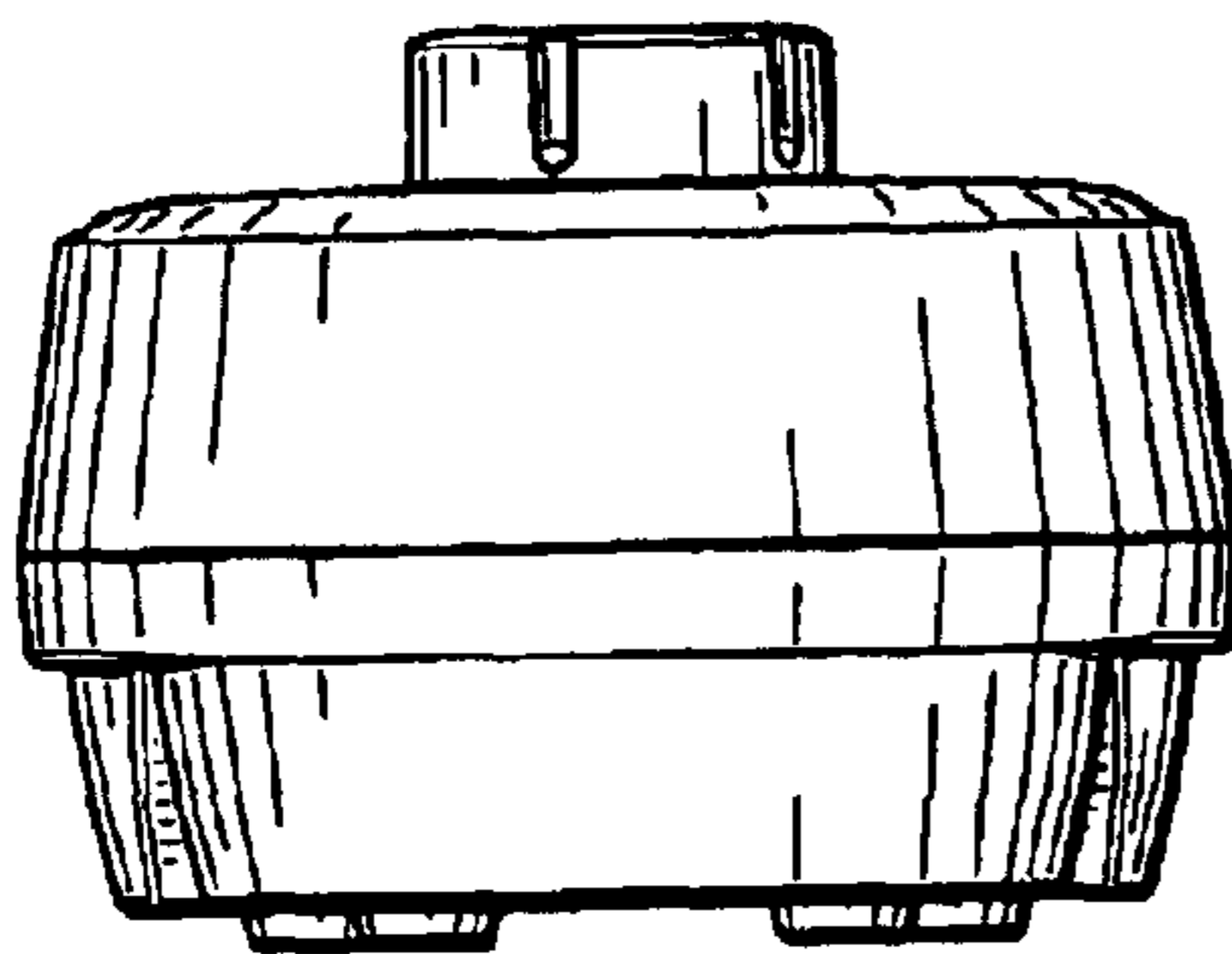


FIG. 4

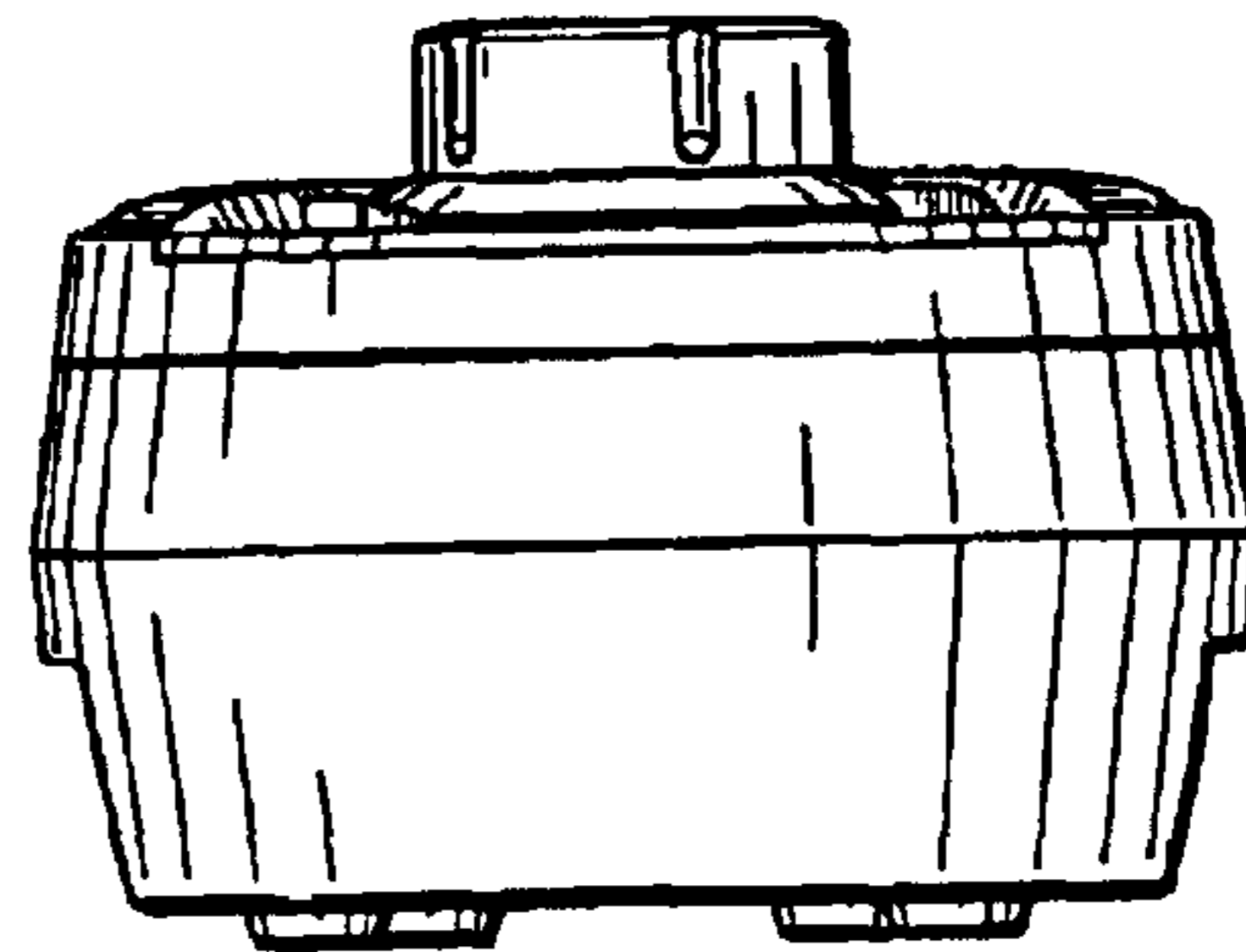


FIG. 5

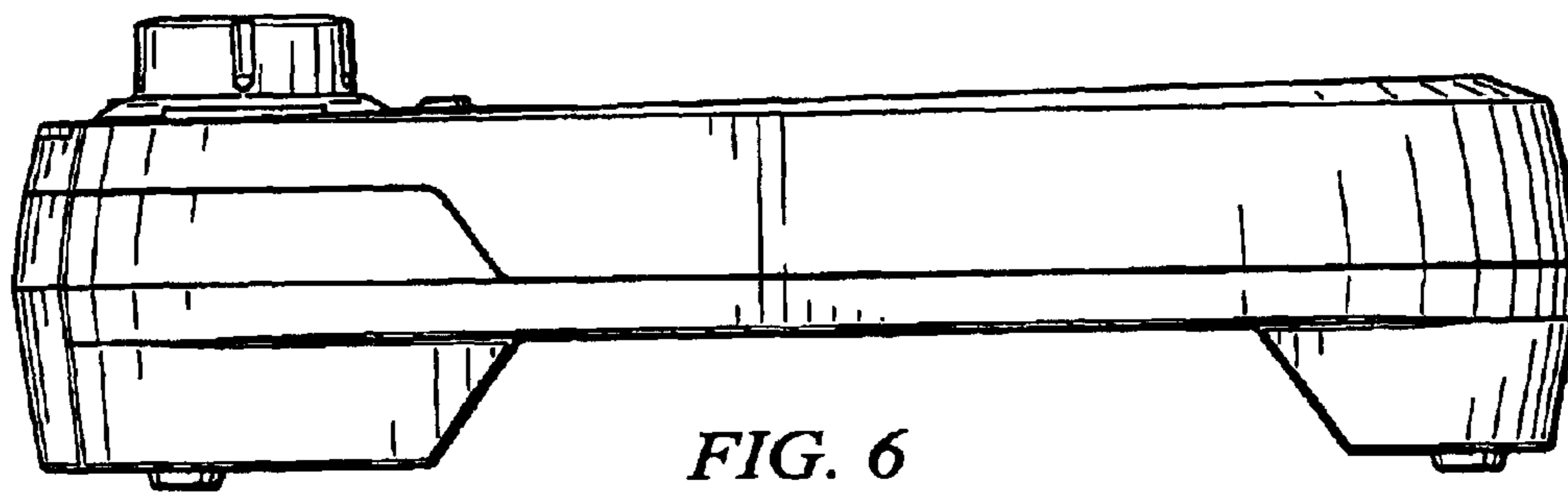


FIG. 6

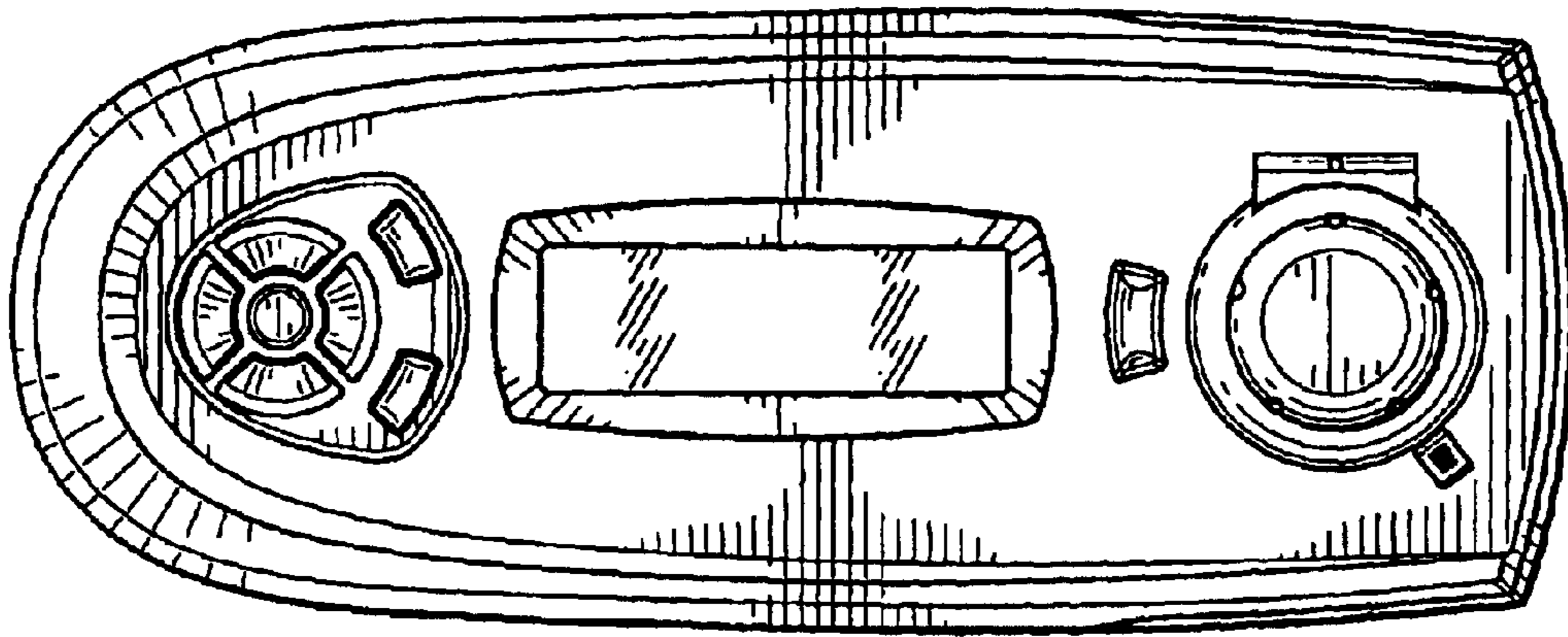


FIG. 7

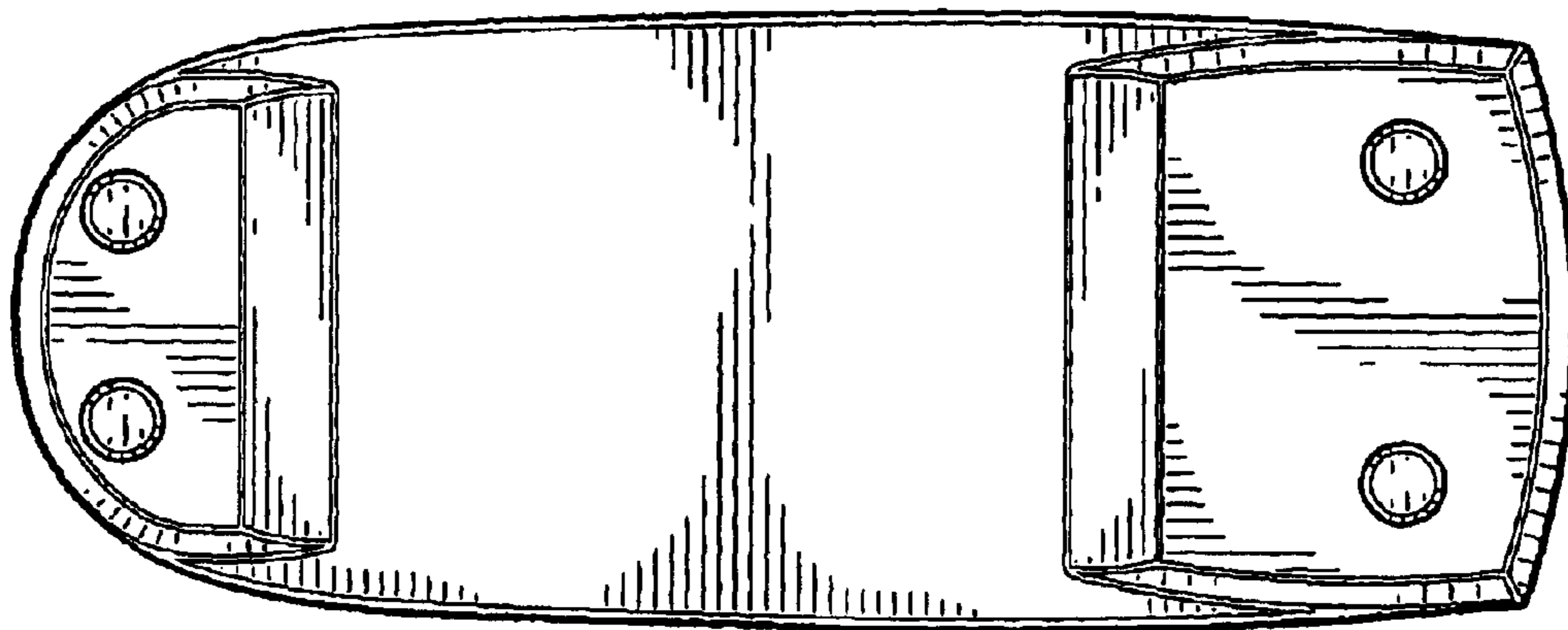


FIG. 8