



US00D503351S

(12) **United States Design Patent**
Chen

(10) **Patent No.:** **US D503,351 S**
(45) **Date of Patent:** **** Mar. 29, 2005**

(54) **MEASURING TAPE**

(76) **Inventor:** **Jui-Tung Chen**, No. 2, Ting-Chu-Wei,
Huwei Chen, Yunlin Hsien (TW)

(**) **Term:** **14 Years**

(21) **Appl. No.:** **29/204,117**

(22) **Filed:** **Apr. 26, 2004**

(51) **LOC (7) Cl.** **10-04**

(52) **U.S. Cl.** **D10/72**

(58) **Field of Search** D10/72; 33/755-769;
242/292, 381.1, 381.2, 381.3, 381.4, 381.5,
381.6

(56) **References Cited**

U.S. PATENT DOCUMENTS

D332,573 S * 1/1993 Shekell D10/72

* cited by examiner

Primary Examiner—Antoine D. Davis
(74) *Attorney, Agent, or Firm*—Troxell Law Office, PLLC

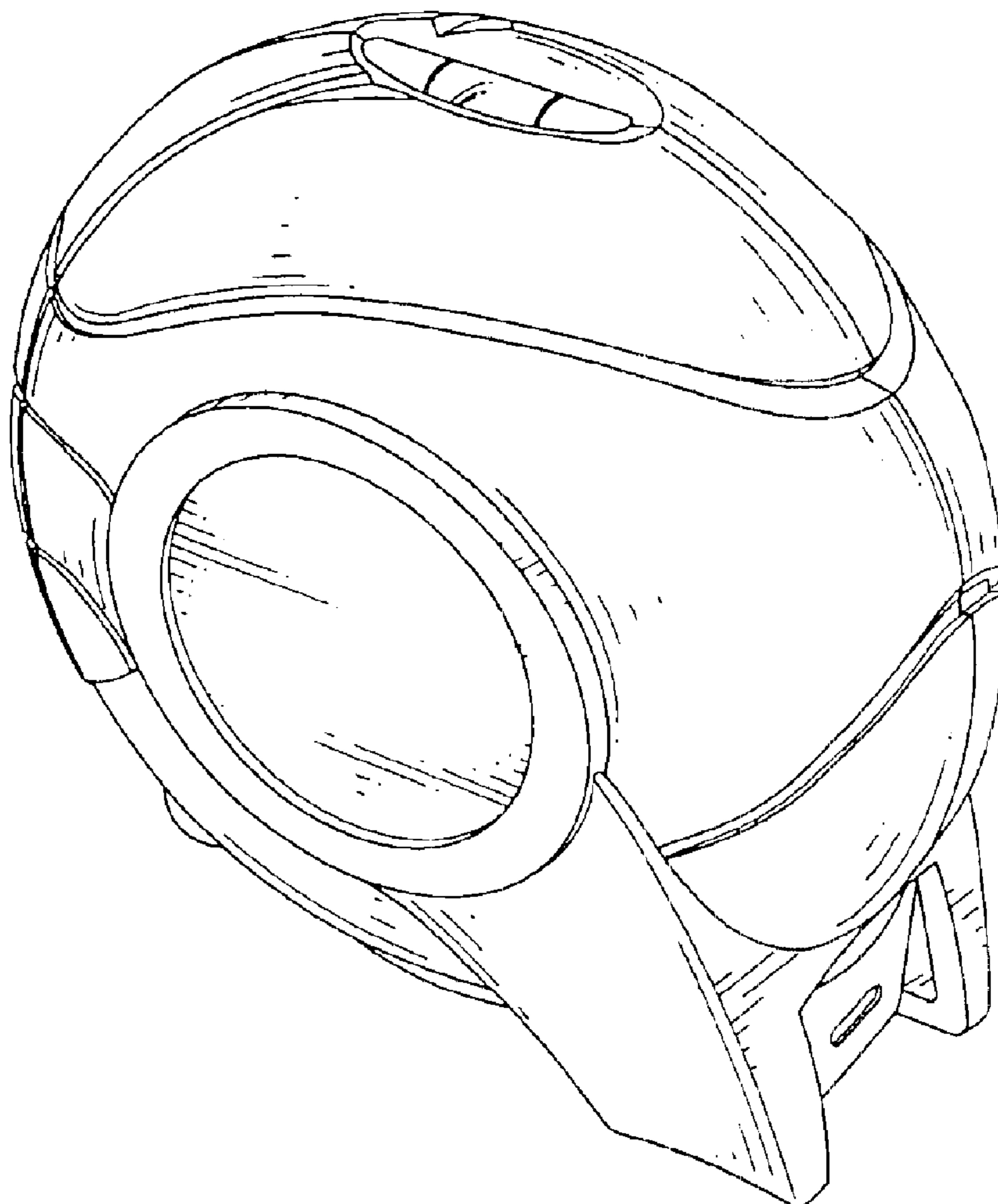
(57) **CLAIM**

The ornamental design for a measuring tape, as shown.

DESCRIPTION

FIG. 1 is a perspective view of a measuring tape showing my new design;
FIG. 2 is a front elevational view thereof;
FIG. 3 is a rear elevational view thereof;
FIG. 4 is a left elevational view thereof;
FIG. 5 is a right elevational view thereof;
FIG. 6 is top plan view thereof; and,
FIG. 7 is a bottom plan view thereof.

1 Claim, 5 Drawing Sheets



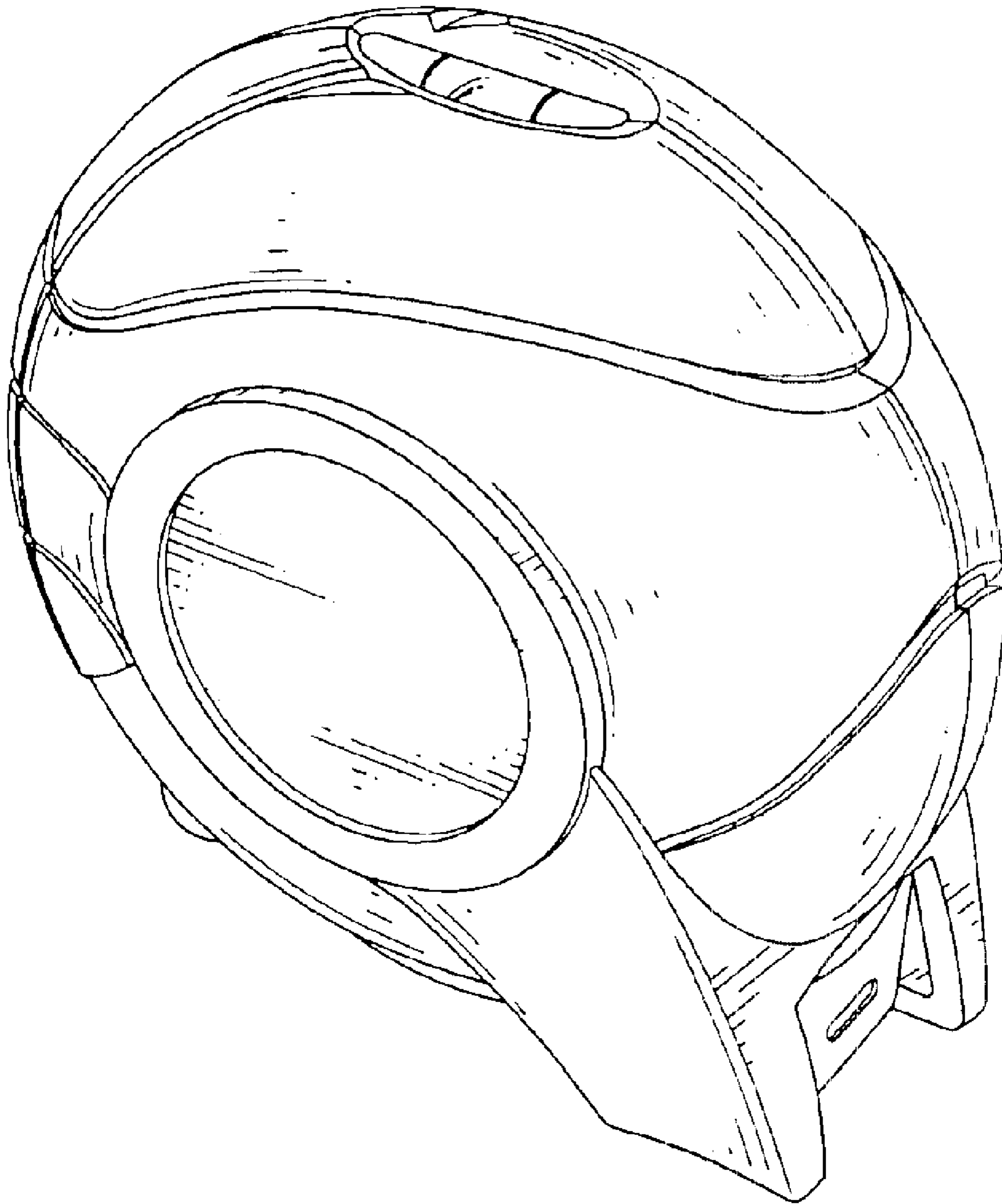


FIG. 1

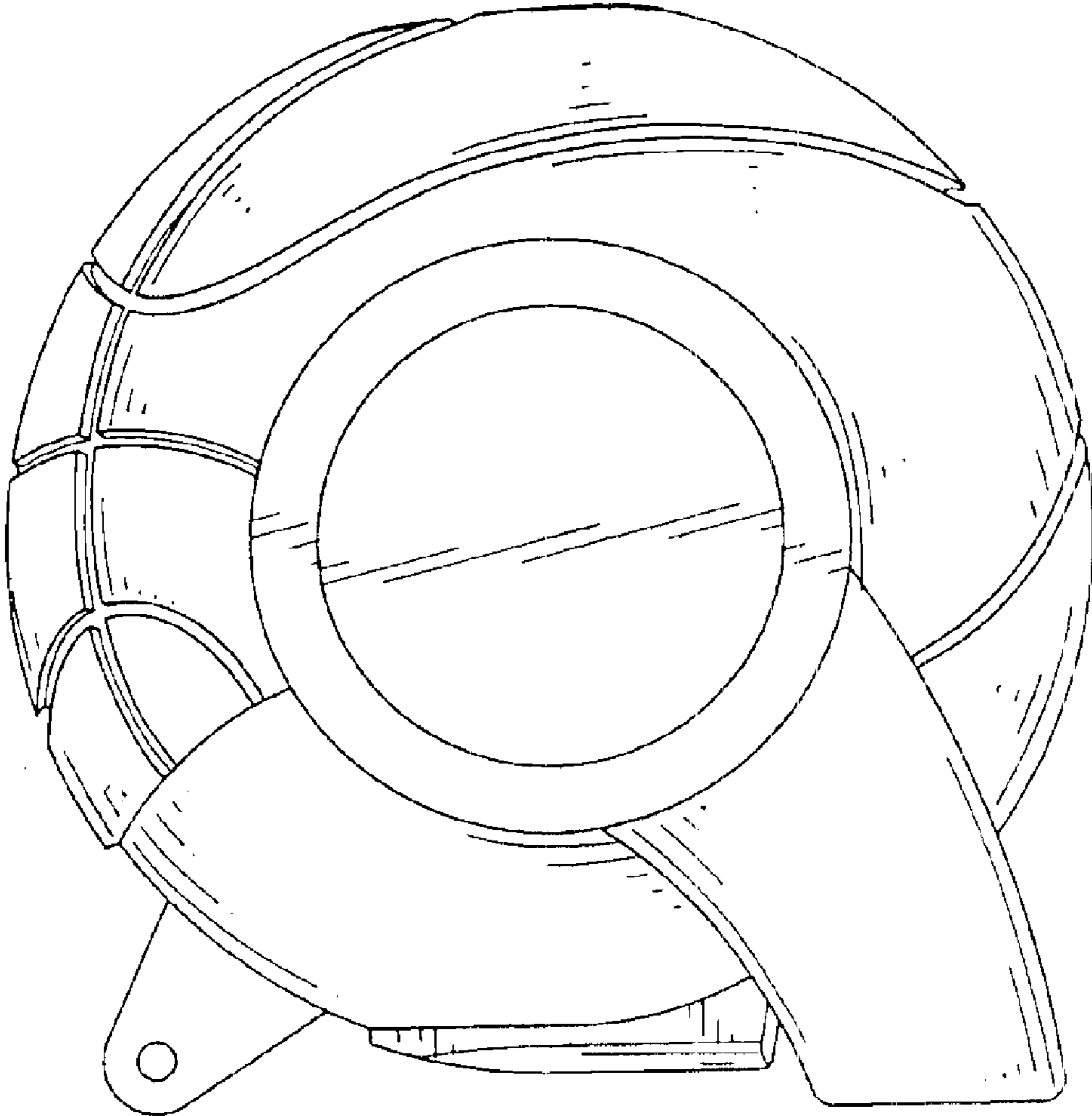


FIG. 2

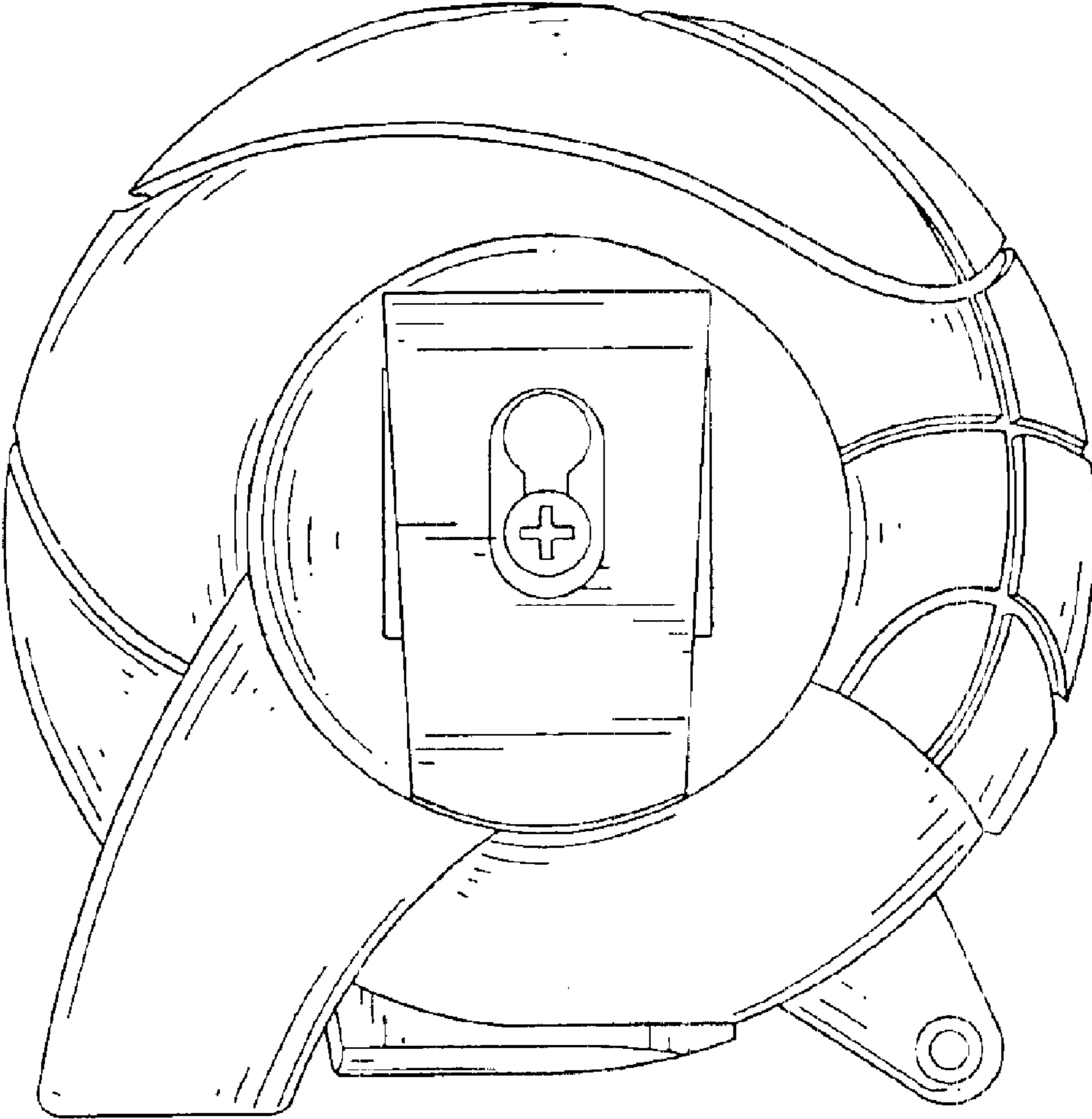


FIG. 3

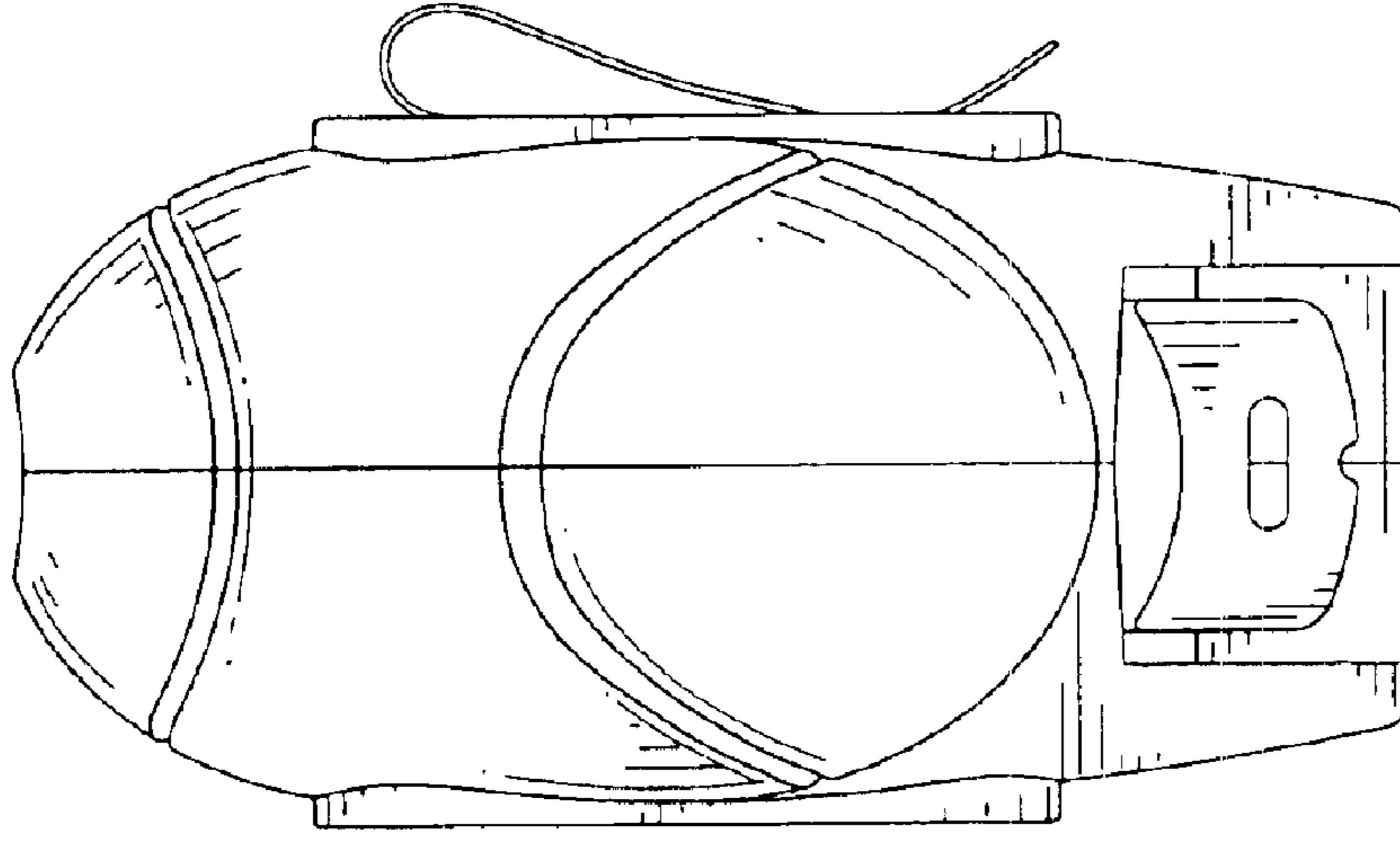


FIG. 5

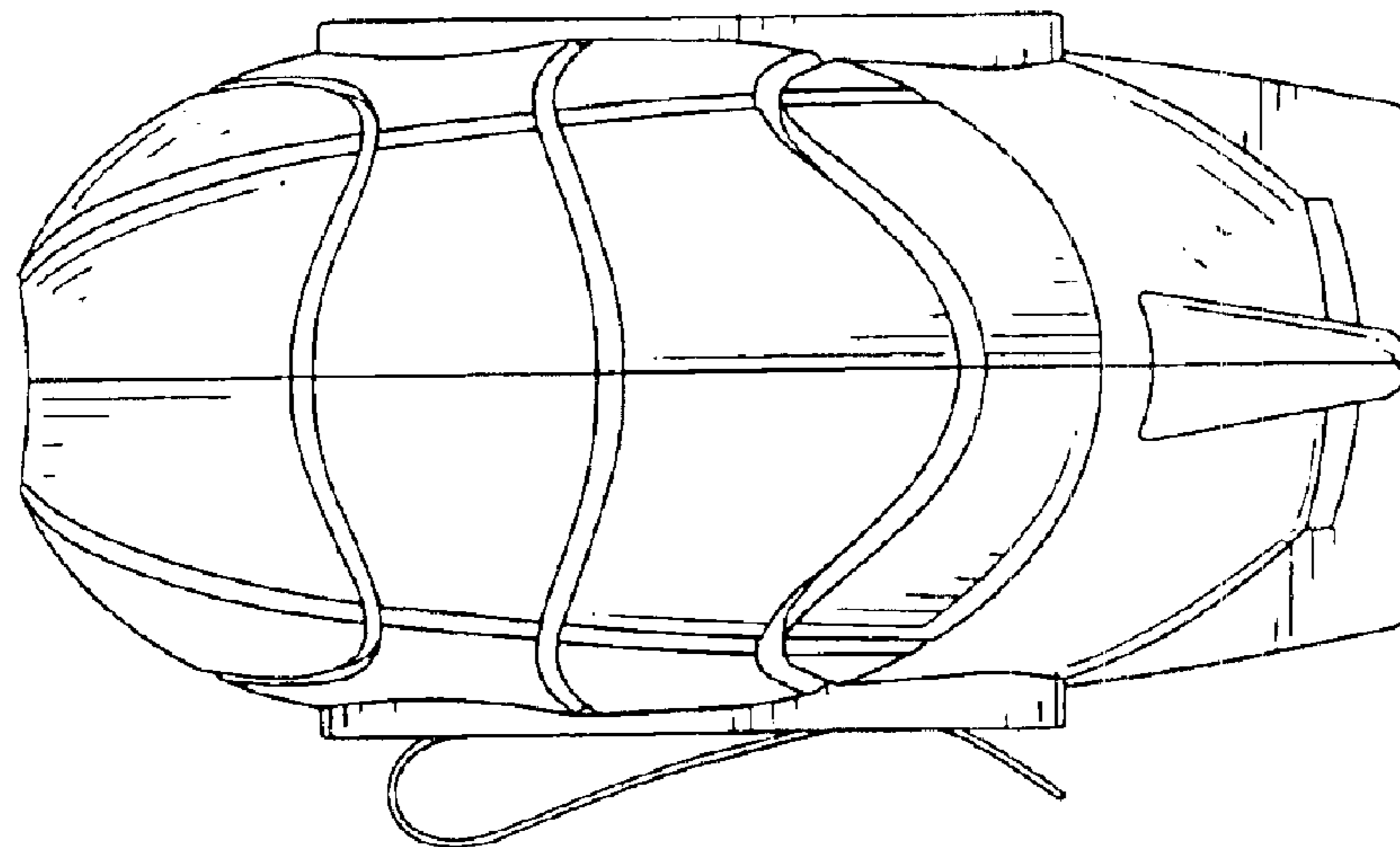


FIG. 4

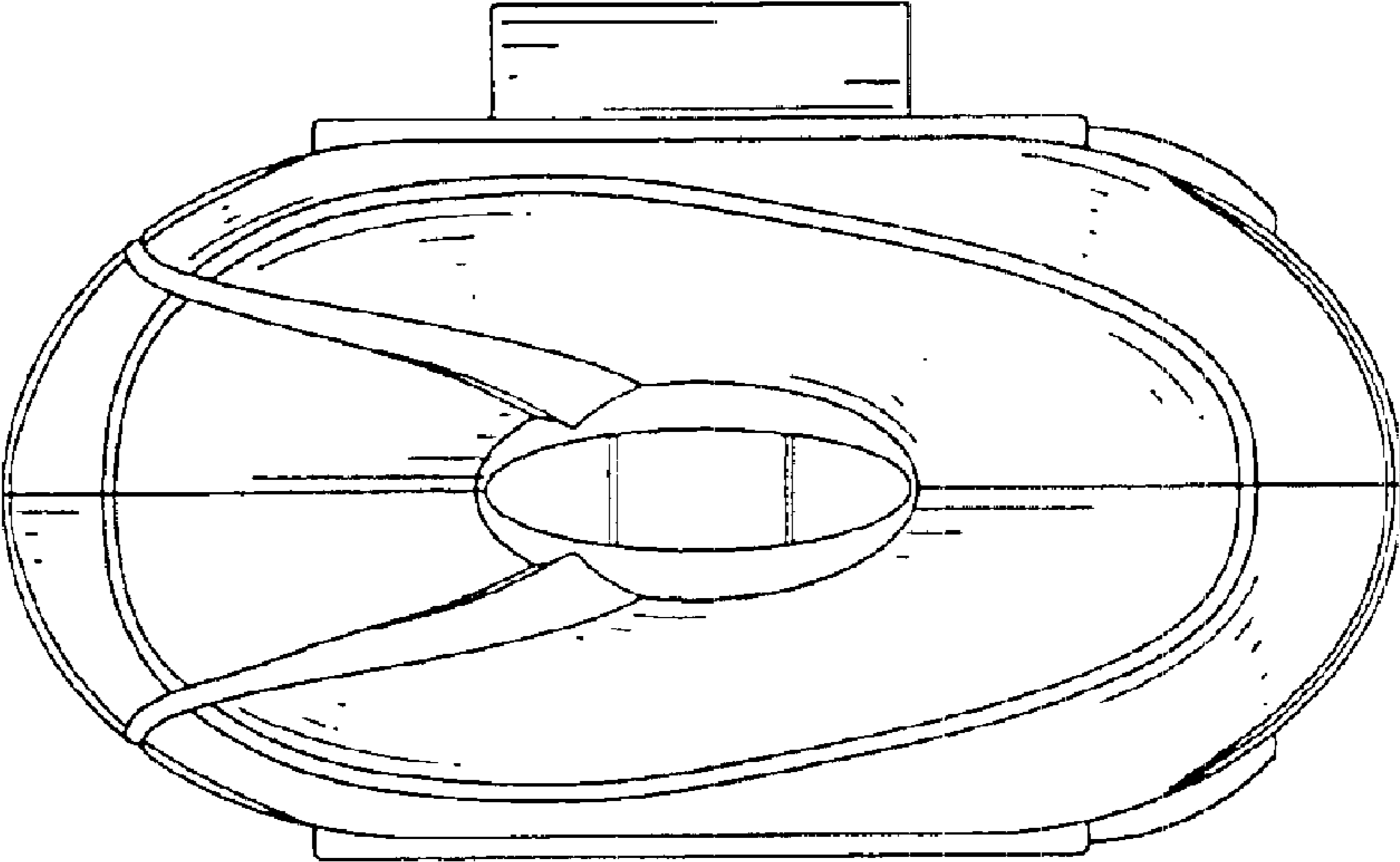


FIG. 6

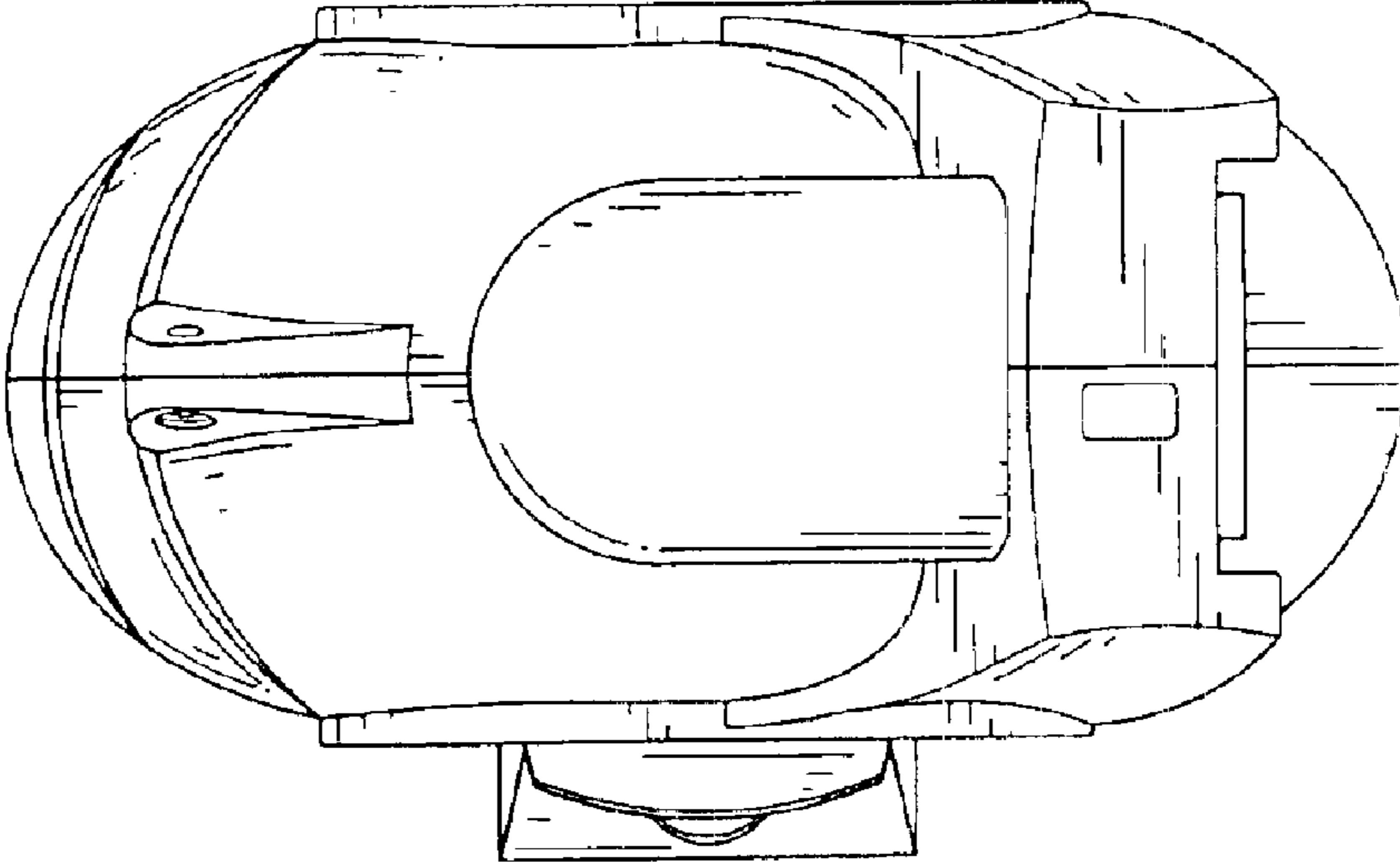


FIG. 7