

US00D503350S

(12) **United States Design Patent**  
**Ragland et al.**

(10) **Patent No.: US D503,350 S**  
(45) **Date of Patent: \*\* Mar. 29, 2005**

(54) **UNIVERSAL MOUNT CARGO STATUS  
SENSOR DEVICE**

(76) Inventors: **Richard R. Ragland**, 7499 Seashell  
Ct., Carlsbad, CA (US) 92008; **David  
C. Stillinger**, 2171 Cambridge Ave.,  
Cardiff, CA (US) 92007; **Mark Benton**,  
6919 Bacontree Way, San Diego, CA  
(US) 92111; **John Cunningham**, 4956  
Frazee Rd., Oceanside, CA (US) 92057;  
**Kip Leggett**, 677 Via La Cuesta, Chula  
Vista, CA (US) 91913; **John P. Oeth**,  
1832 Dora Dr., Cardiff by the Sea, CA  
(US) 92007; **Charles Pedersen**, 7255  
Calabria Ct., #38, San Diego, CA (US)  
92122

(\*\*) Term: **14 Years**

(21) Appl. No.: **29/170,524**

(22) Filed: **Nov. 5, 2002**

(51) **LOC (7) Cl. .... 10-04**

(52) **U.S. Cl. .... D10/70**

(58) **Field of Search** ..... 343/912; 340/686.1,  
340/686.6, 425.5, 566, 903, 943; 382/6;  
D10/70; 367/93, 94; 180/167, 169, 290

(56) **References Cited**

**U.S. PATENT DOCUMENTS**

2004/0046675 A1 \* 3/2004 Murata ..... 340/686.1

\* cited by examiner

*Primary Examiner*—Antoine D. Davis

(57) **CLAIM**

I claim the ornamental design for a universal mount cargo  
status sensor device, as shown.

**DESCRIPTION**

FIG. 1 is a perspective view of the universal mount cargo  
status sensor device;

FIG. 2 is a front plan view thereof;

FIG. 3 is a left side view thereof;

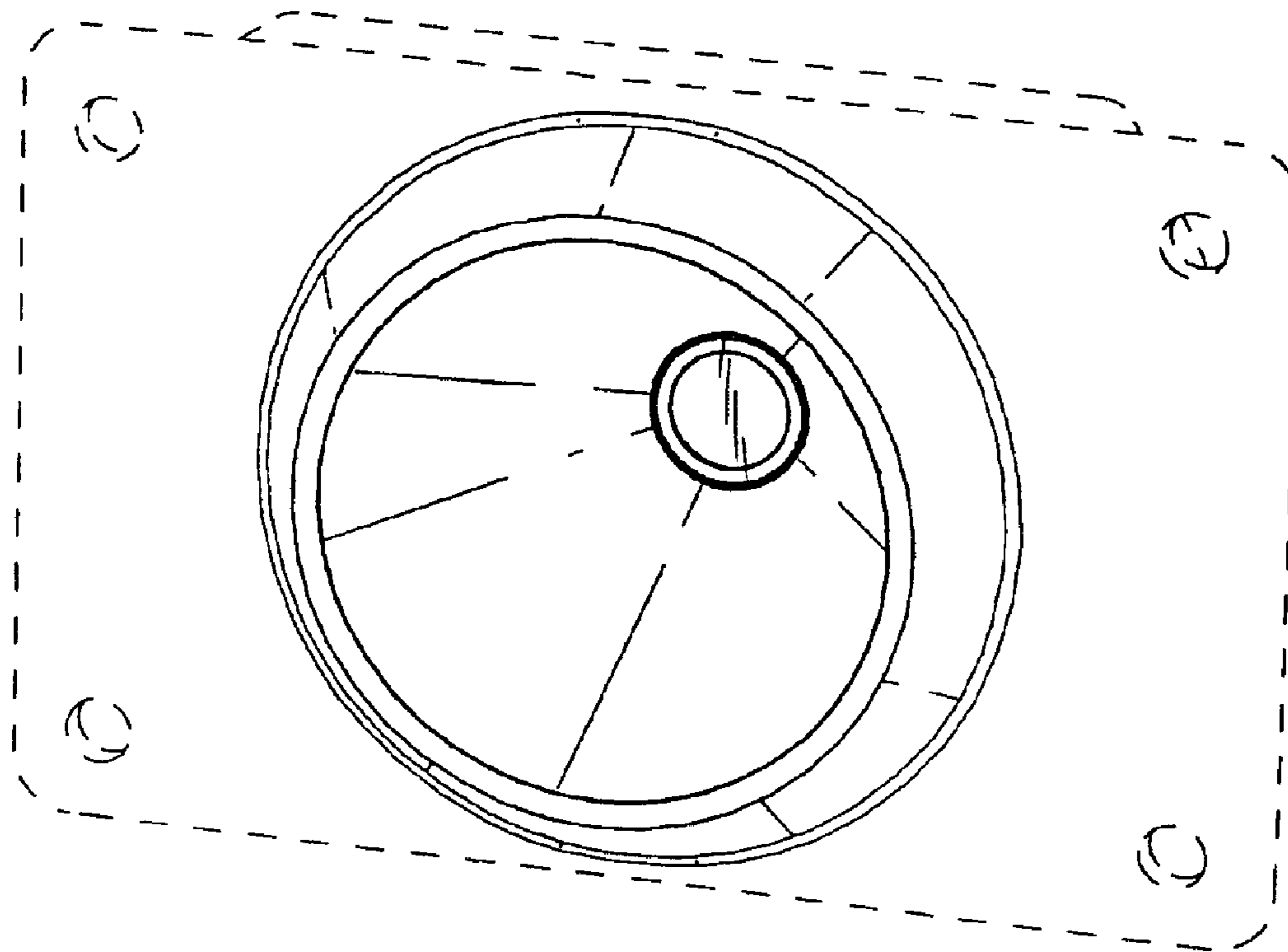
FIG. 4 is a right side view thereof;

FIG. 5 is a top view thereof; and,

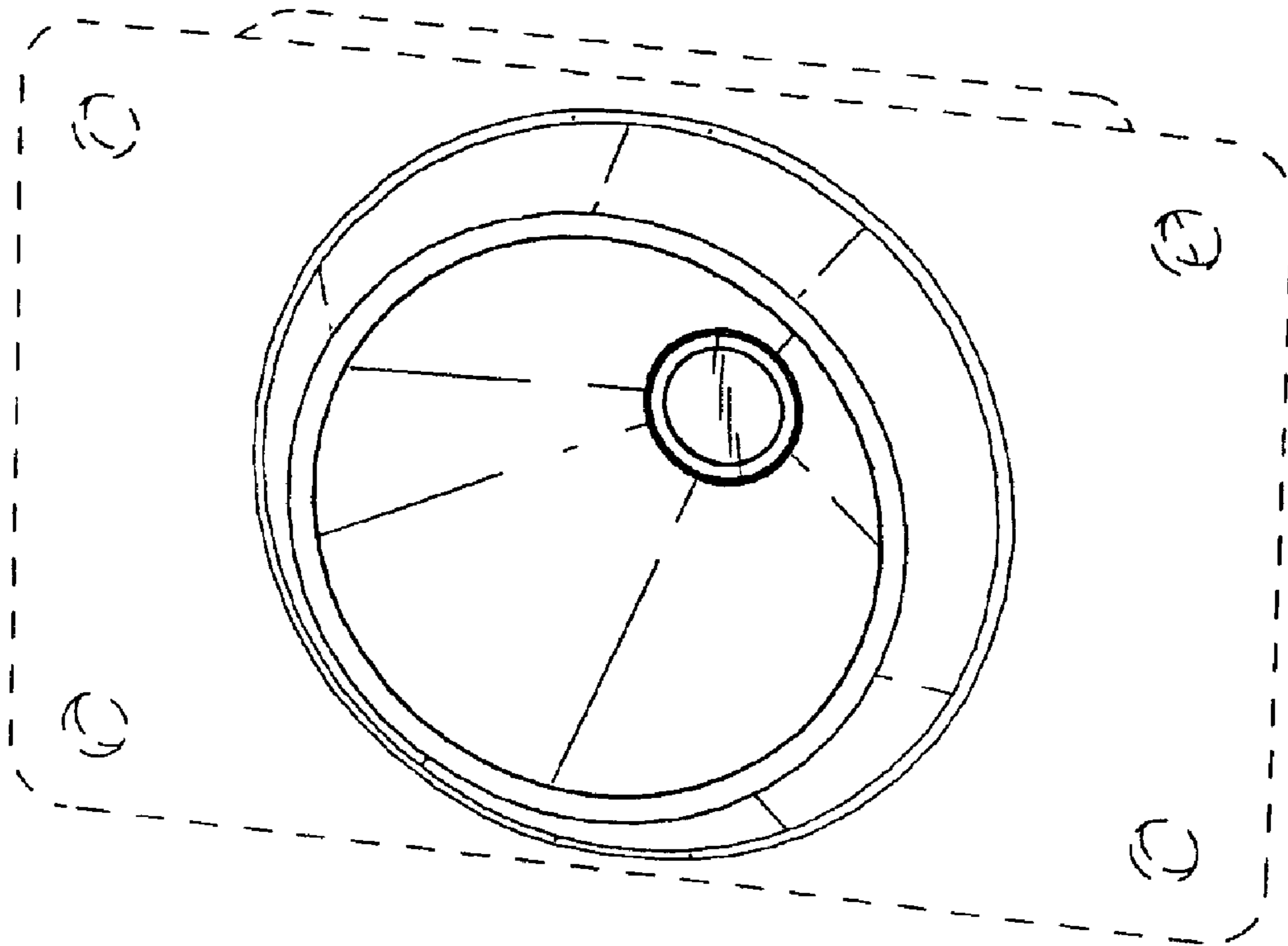
FIG. 6 is a bottom view thereof.

Broken lines shown are for illustrative purposes only and  
form no part of the claimed design.

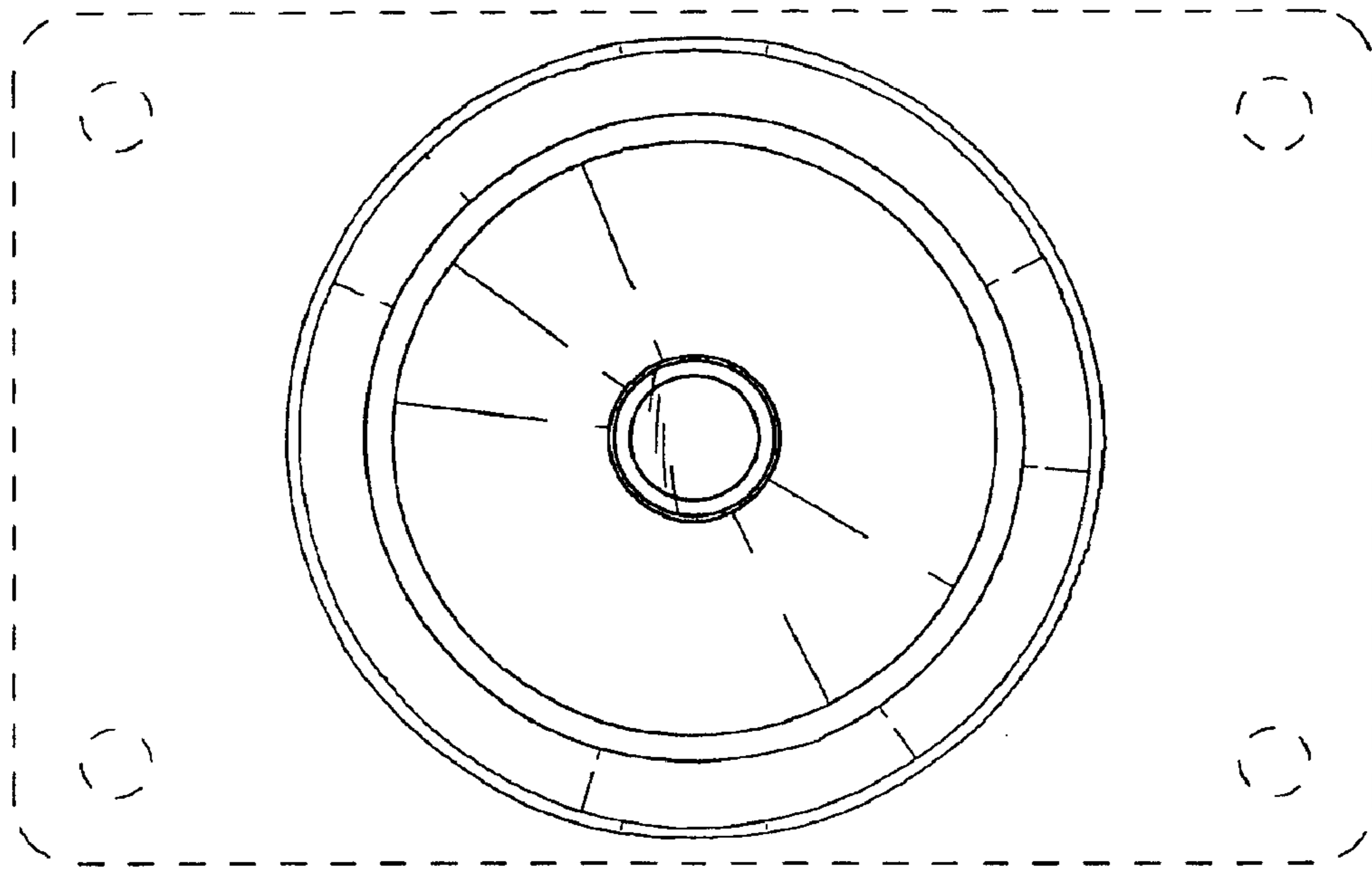
**1 Claim, 3 Drawing Sheets**



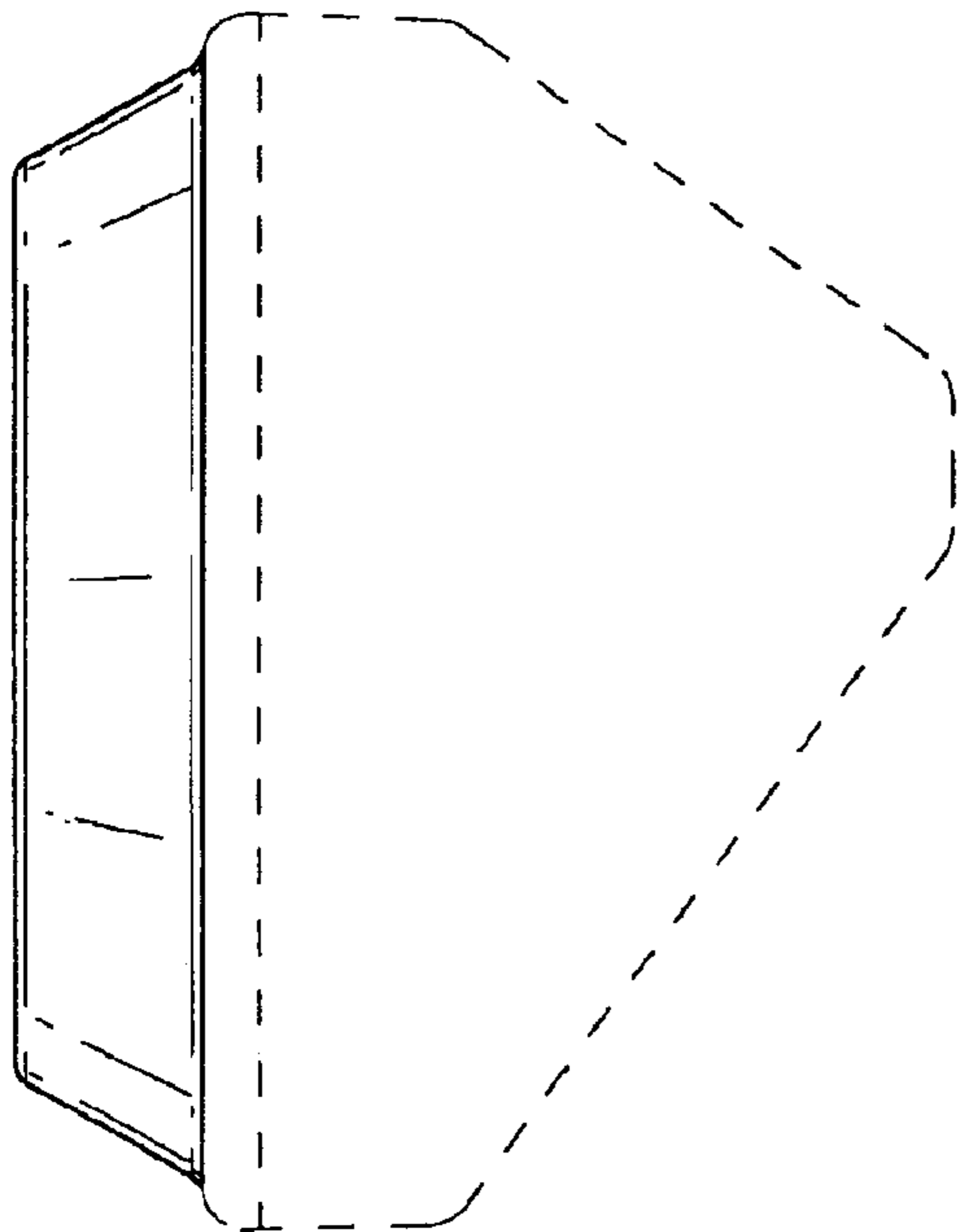
**FIG. 1**



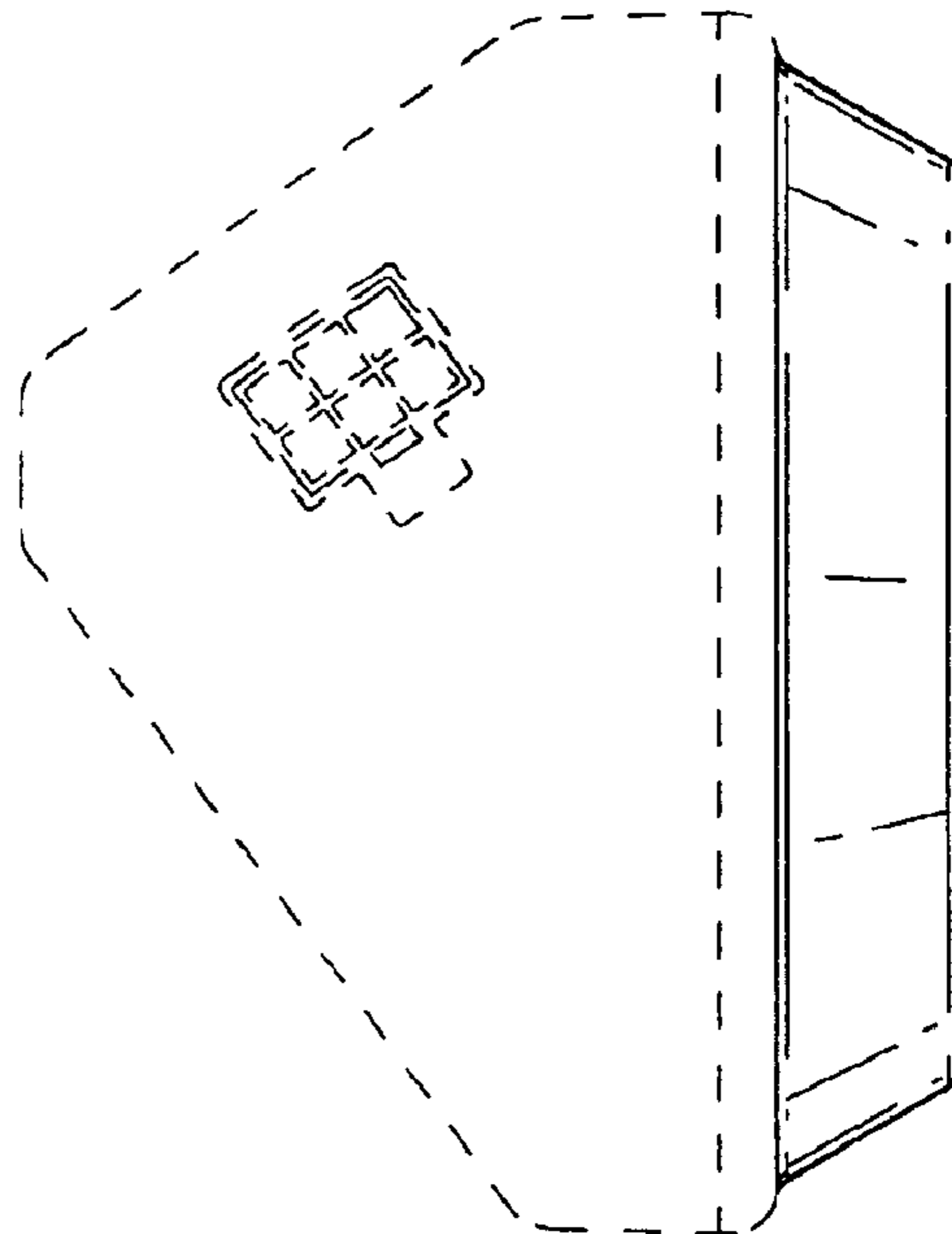
**FIG. 2**



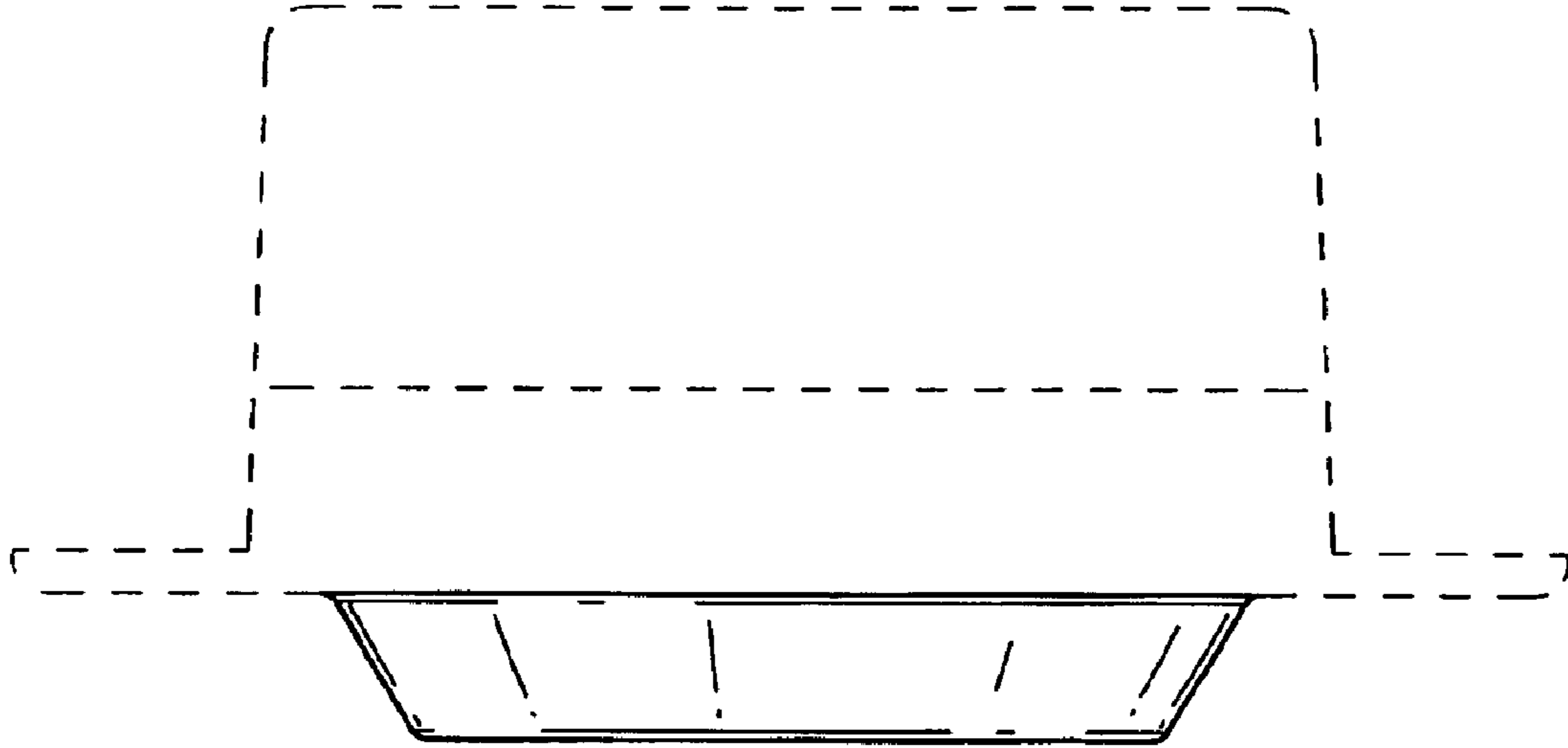
**FIG. 3**



**FIG. 4**



**FIG. 5**



**FIG. 6**

