

US00D503335S

(12) **United States Design Patent**
Risberg et al.

(10) **Patent No.:** **US D503,335 S**
(45) **Date of Patent:** **** Mar. 29, 2005**

(54) **CATHETER PACKAGE**

D496,266 S * 9/2004 Nestenborg D9/415

(75) Inventors: **Peter Risberg**, Falköping (SE); **Andrea Schmidt**, Mölnlycke (SE)

* cited by examiner

(73) Assignee: **Astra Tech AB**, Molndal (SE)

Primary Examiner—Prabhakar Deshmukh

(**) Term: **14 Years**

(74) *Attorney, Agent, or Firm*—Birch, Stewart, Kolasch & Birch, LLP.

(21) Appl. No.: **29/202,417**

(57) **CLAIM**

(22) Filed: **Mar. 31, 2004**

The ornamental design for a catheter package, as shown and described.

(30) **Foreign Application Priority Data**

DESCRIPTION

Oct. 7, 2003 (EP) I 000090741

FIG. 1 is a perspective view of a catheter package showing our new design;

(51) **LOC (7) Cl.** **09-07**

FIG. 2 is front elevational view thereof;

(52) **U.S. Cl.** **D9/415**

FIG. 3 is left side elevational view thereof;

(58) **Field of Search** D9/451, 418, 414,
D9/730, 737; 206/305, 339, 210, 438, 364–366,
63.3, 828, 461–471; 422/58–61

FIG. 4 is a bottom plan view thereof;

FIG. 5 is a top plan view thereof;

FIG. 6 is a rear elevational view thereof;

FIG. 7 is a right side elevational view thereof;

FIG. 8 is a perspective view of a catheter package showing our new design;

(56) **References Cited**

U.S. PATENT DOCUMENTS

4,754,877	A	*	7/1988	Johansson et al.	206/364
D325,526	S	*	4/1992	Deguchi et al.	D9/415
5,131,537	A	*	7/1992	Gonzalez	206/364
5,165,540	A	*	11/1992	Forney	206/364
D333,400	S	*	2/1993	Brown	D6/515
5,353,929	A	*	10/1994	Foster	206/364
5,501,341	A	*	3/1996	Van Es	206/364
D419,439	S	*	1/2000	Markovsky et al.	D9/415
6,578,709	B1	*	6/2003	Kavanagh et al.	206/364
6,736,805	B2	*	5/2004	Israelsson et al.	604/544

FIG. 9 is front elevational view thereof;

FIG. 10 is left side elevational view thereof;

FIG. 11 is a bottom plan view thereof;

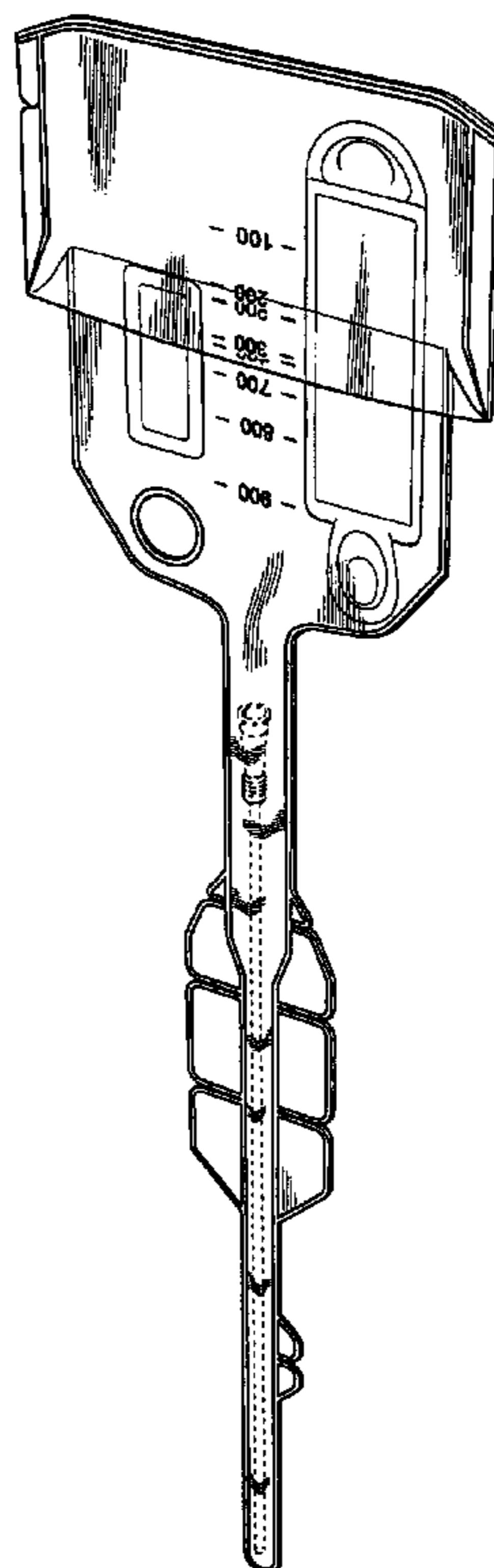
FIG. 12 is a top plan view thereof;

FIG. 13 is a rear elevational view thereof; and,

FIG. 14 is a right side elevational view thereof.

The parts shown with broken lines are not considered to be a part of the claimed design.

1 Claim, 6 Drawing Sheets



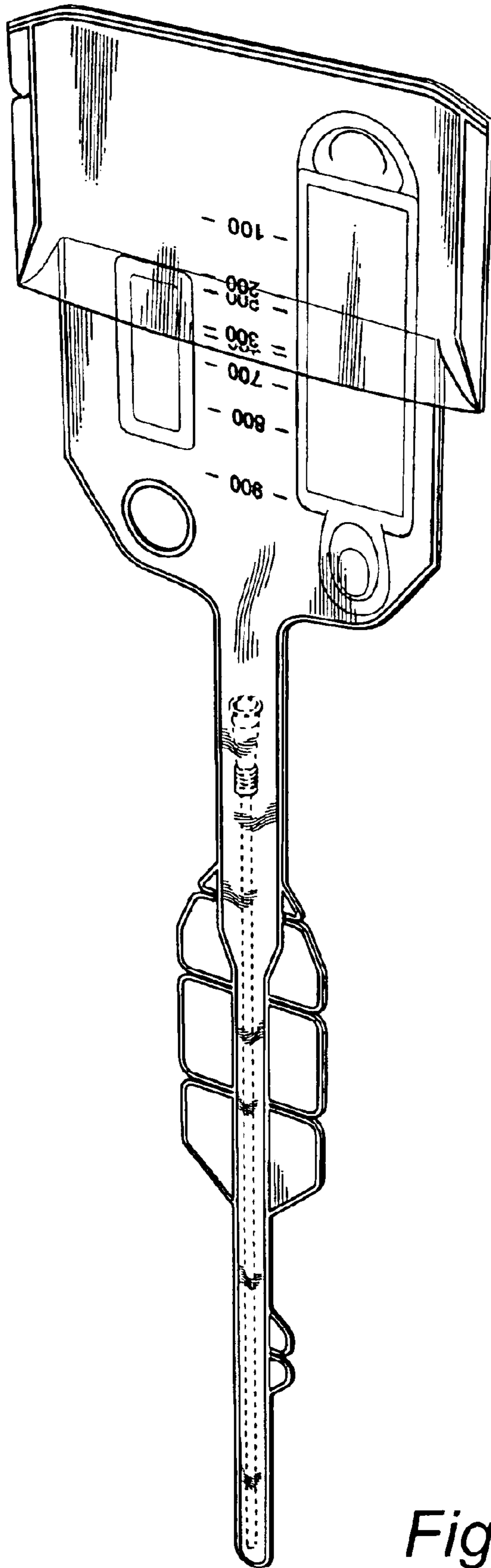


Fig. 1

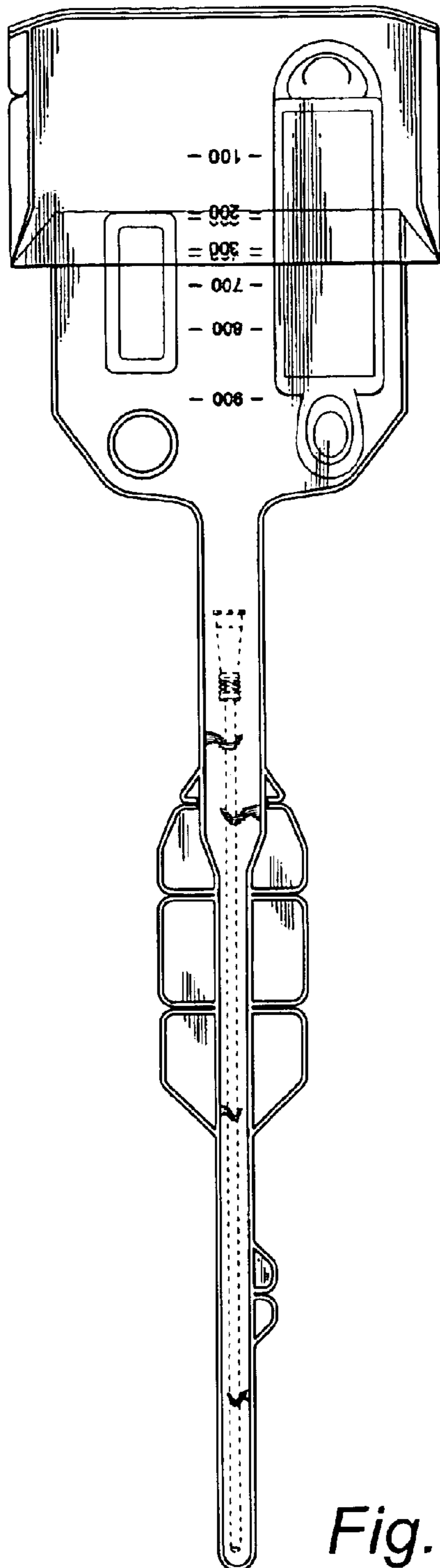


Fig. 2



Fig. 3



Fig. 4

Fig. 5

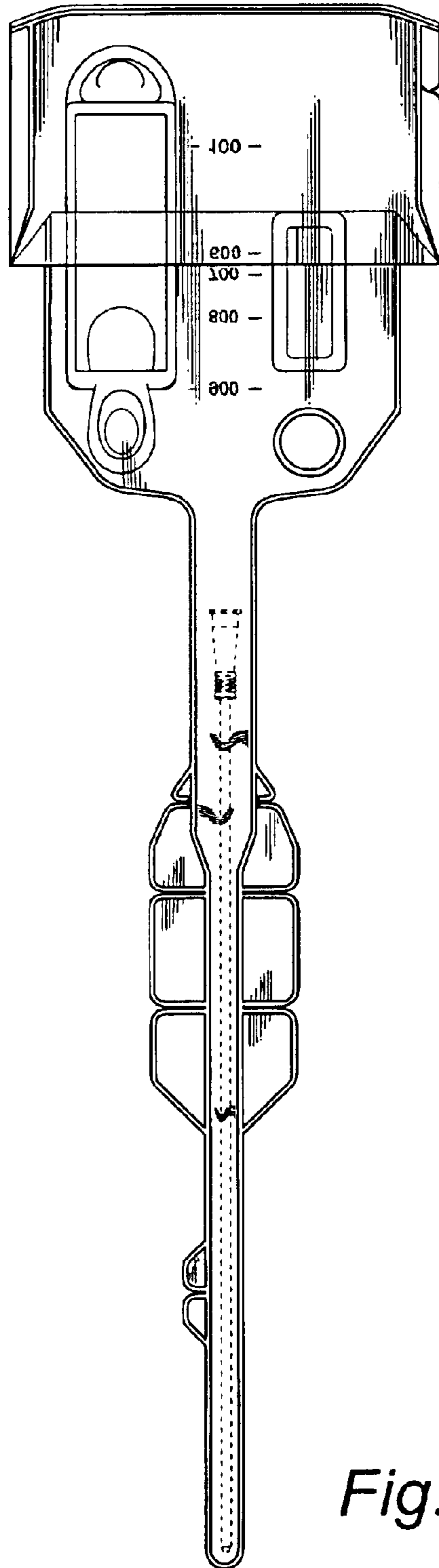


Fig. 6



Fig. 7

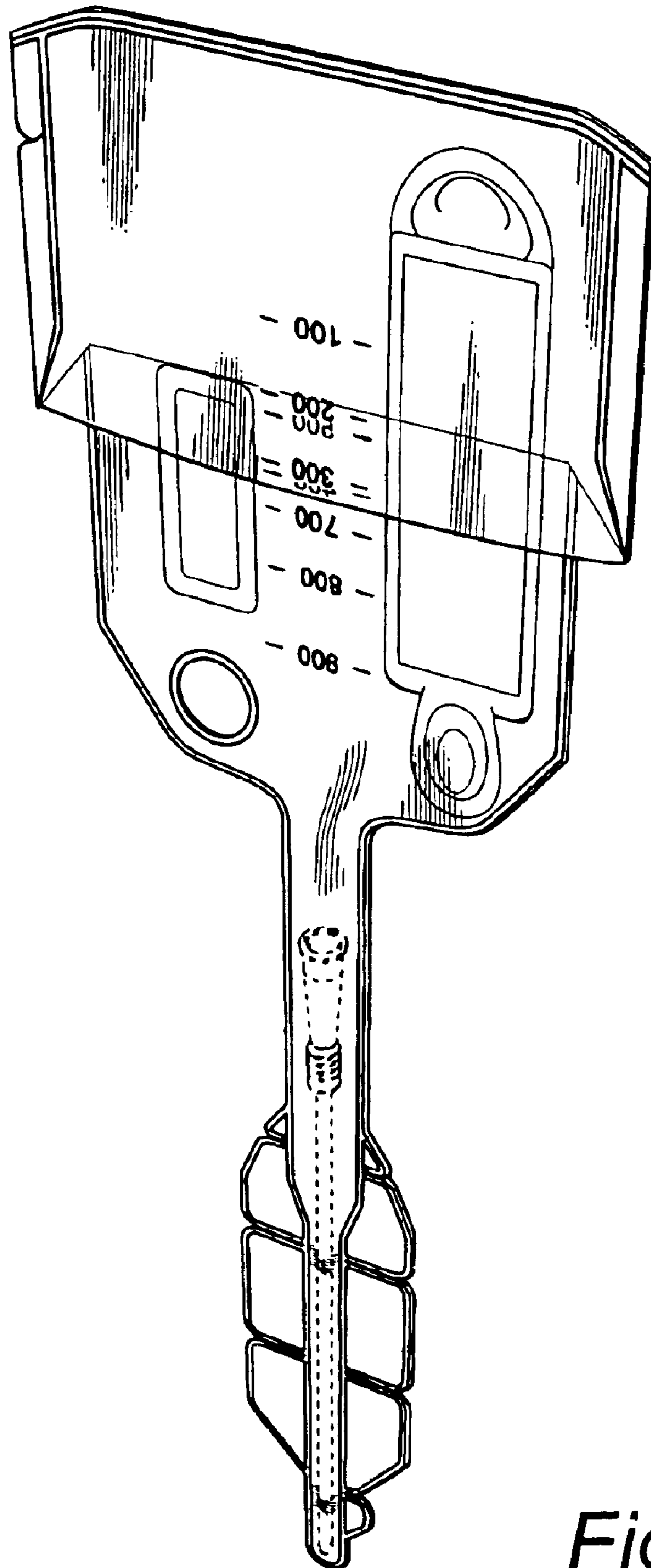


Fig. 8

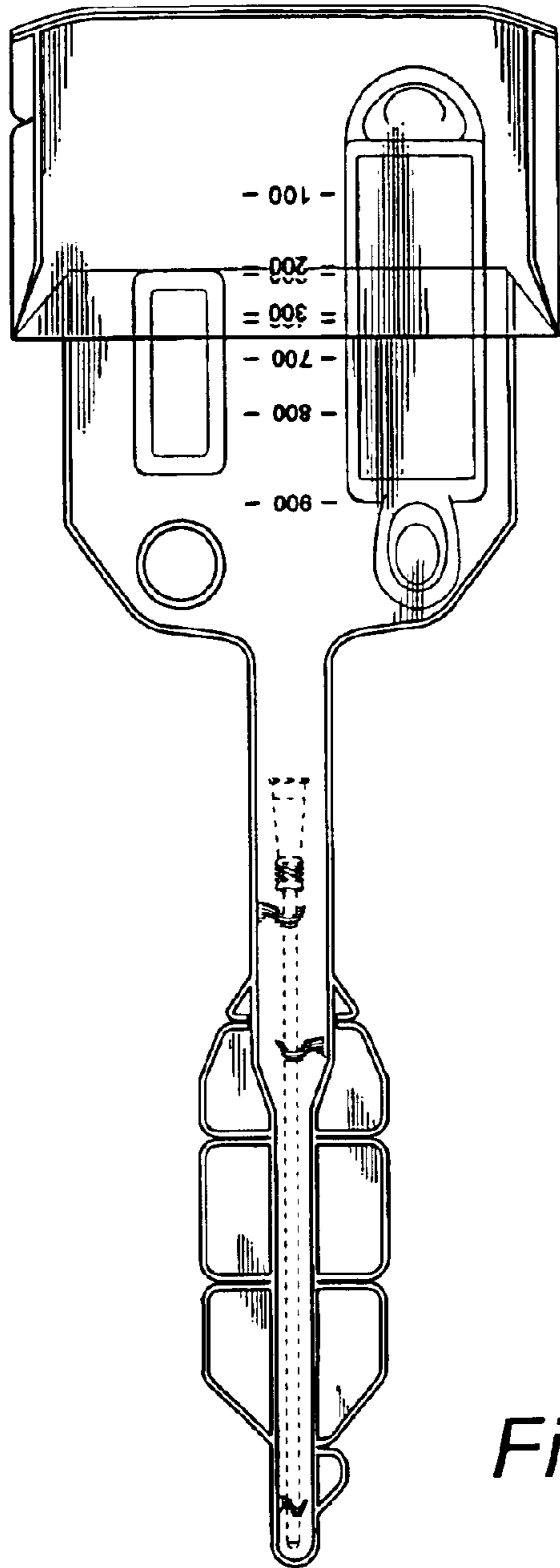


Fig. 9



Fig. 10



Fig. 11



Fig. 12

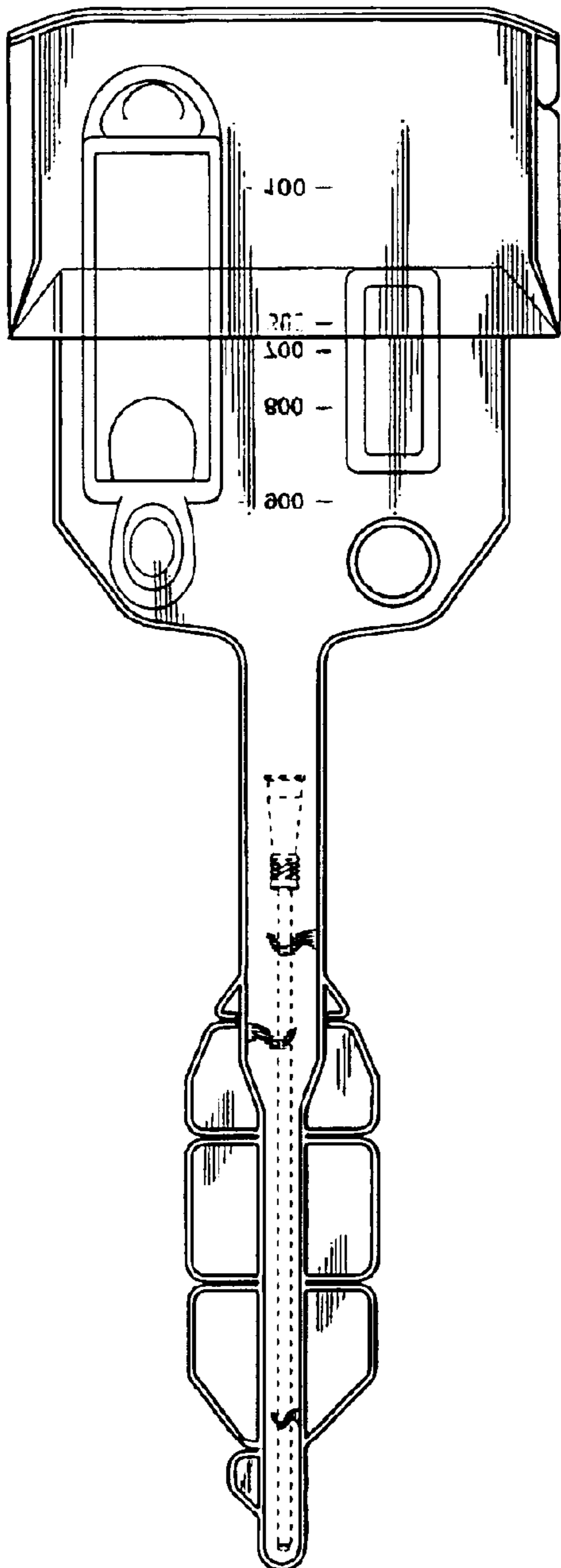


Fig. 13



Fig. 14