



US00D503329S

(12) **United States Design Patent** (10) **Patent No.:** **US D503,329 S**
Berberet (45) **Date of Patent:** **** Mar. 29, 2005**

(54) **ESCUTCHEON FOR WALL MOUNTABLE ACCESSORIES**

(75) Inventor: **Suzanne M. Berberet**, Sheboygan, WI (US)

(73) Assignee: **Kohler Co.**, Kohler, WI (US)

(**) Term: **14 Years**

(21) Appl. No.: **29/200,017**

(22) Filed: **Feb. 23, 2004**

(51) **LOC (7) Cl.** **11-05**

(52) **U.S. Cl.** **D8/350**

(58) **Field of Search** D8/350–353; D6/550, D6/546, 524; D10/108, 109, 123; D13/177, 156; 174/66, 67, 53, 55

(56) **References Cited**

U.S. PATENT DOCUMENTS

D43,534 S	*	2/1913	Hawley	D8/310
D238,530 S		1/1976	Read et al.	D6/523
D243,918 S	*	4/1977	Creamer	D8/351
D243,921 S	*	4/1977	Creamer	D8/351
D243,922 S	*	4/1977	Grieb	D8/351
D244,003 S	*	4/1977	Grieb	D8/350
D455,035 S	*	4/2002	Meck et al.	D6/548
D472,794 S	*	4/2003	LaPlume et al.	D8/350
D477,737 S		7/2003	Hoernig	D6/548

OTHER PUBLICATIONS

Undated Kohler catalog ad, p. 2–15, showing a K–6739 handle.

Undated Rejency catalog ad showing various wall mountable escutcheons/accessories.

Sep. 2003 Kohler catalog ad, p. 9.30, showing a “Devonshire” bath.

Undated Harden catalog ad showing various wall mountable escutcheons/accessories.

Undated Kohler catalog ad showing various wall mountable escutcheons/accessories.

Undated Kohler catalog ad showing various wall mountable escutcheons/accessories.

* cited by examiner

Primary Examiner—Stella Reid

(74) *Attorney, Agent, or Firm*—Quarles & Brady LLP

(57) **CLAIM**

The ornamental design for an escutcheon for wall mountable accessories, as shown and described.

DESCRIPTION

In a preferred embodiment, the nature of this product is as a wall mountable escutcheon primarily useful for supporting an accessory in the form of a towel bar, toilet paper holder, robe hook, or towel ring.

FIG. 1 is a top, left, front perspective view of an escutcheon for wall mountable accessories embodying my new design; FIG. 2 is a front elevational view thereof;

FIG. 3 is a top plan view thereof, the bottom plan view thereof being identical to the top plan view shown;

FIG. 4 is a left side elevational view thereof, the right side elevational view thereof being identical to the left side shown;

FIG. 5 is a rear elevational view thereof;

FIG. 6 is a top, left, front perspective view thereof showing the broken line representation of a single towel bar as a first mounting environment;

FIG. 7 is a top, left, front perspective view thereof showing the broken line representation of a double towel bar as a second mounting environment;

FIG. 8 is a top, left, front perspective view thereof showing the broken line representation of a toilet paper holder as a third mounting environment;

FIG. 9 is a top, left, front perspective view thereof showing the broken line representation of a robe hook as a fourth mounting environment; and,

FIG. 10 is a top, left, front perspective view thereof showing the broken line representation of a towel ring as a fifth mounting environment.

The broken line representations of mounting structure in FIGS. 1–5, of rear structure in FIG. 5, and of accessories in FIGS. 6–10, are for the purpose of illustration only, and form no part of the claimed design.

1 Claim, 5 Drawing Sheets

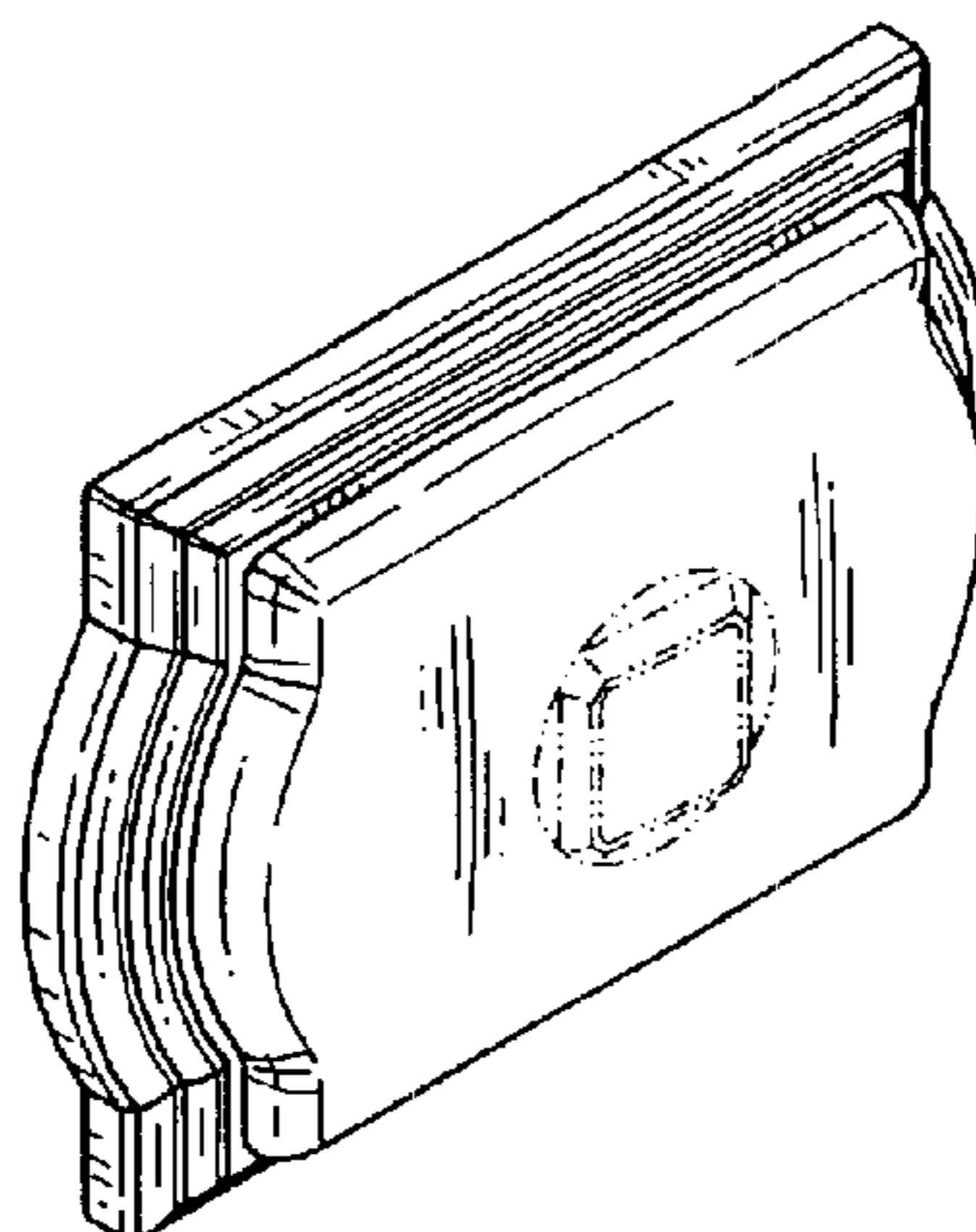


FIG. 1

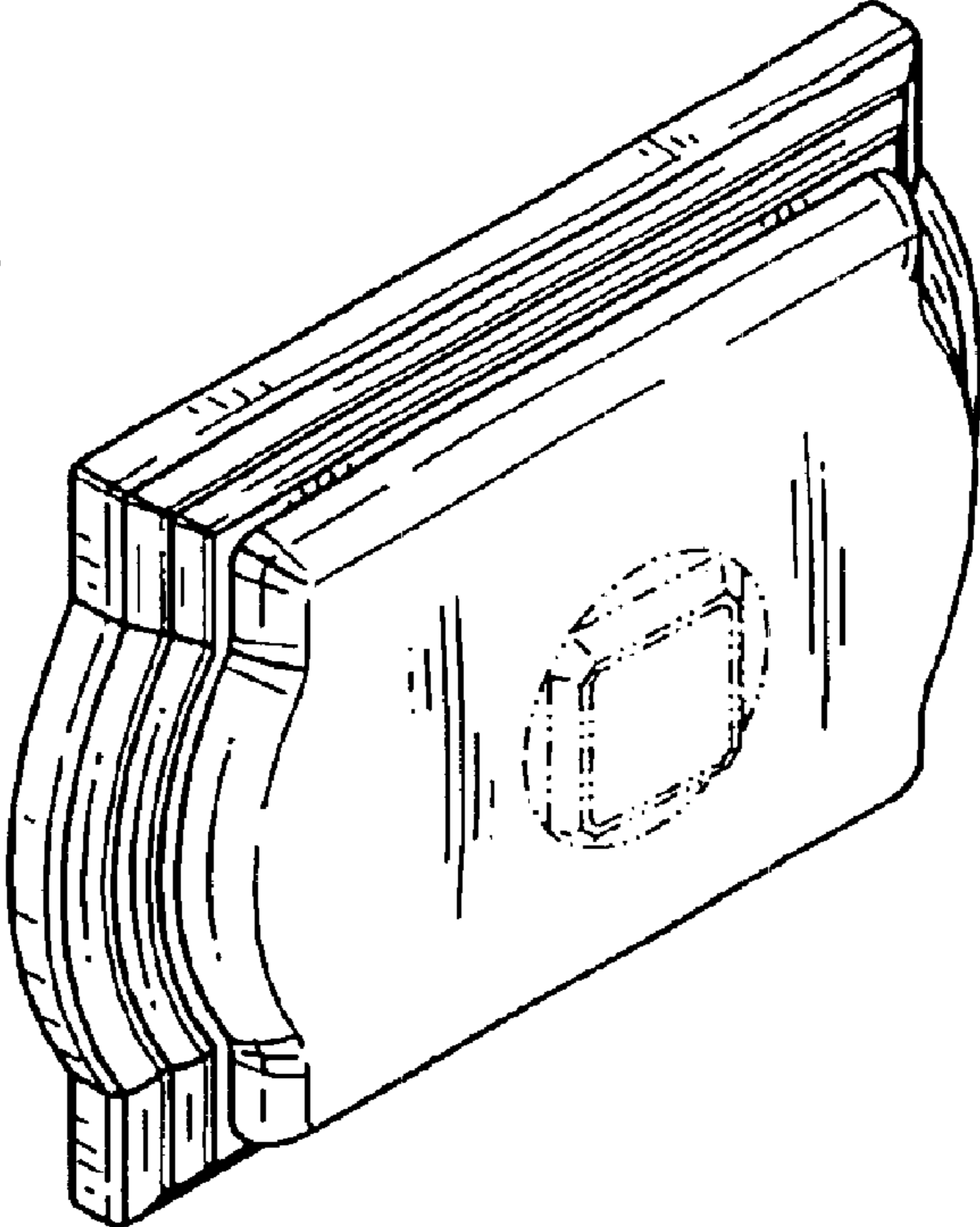


FIG. 2

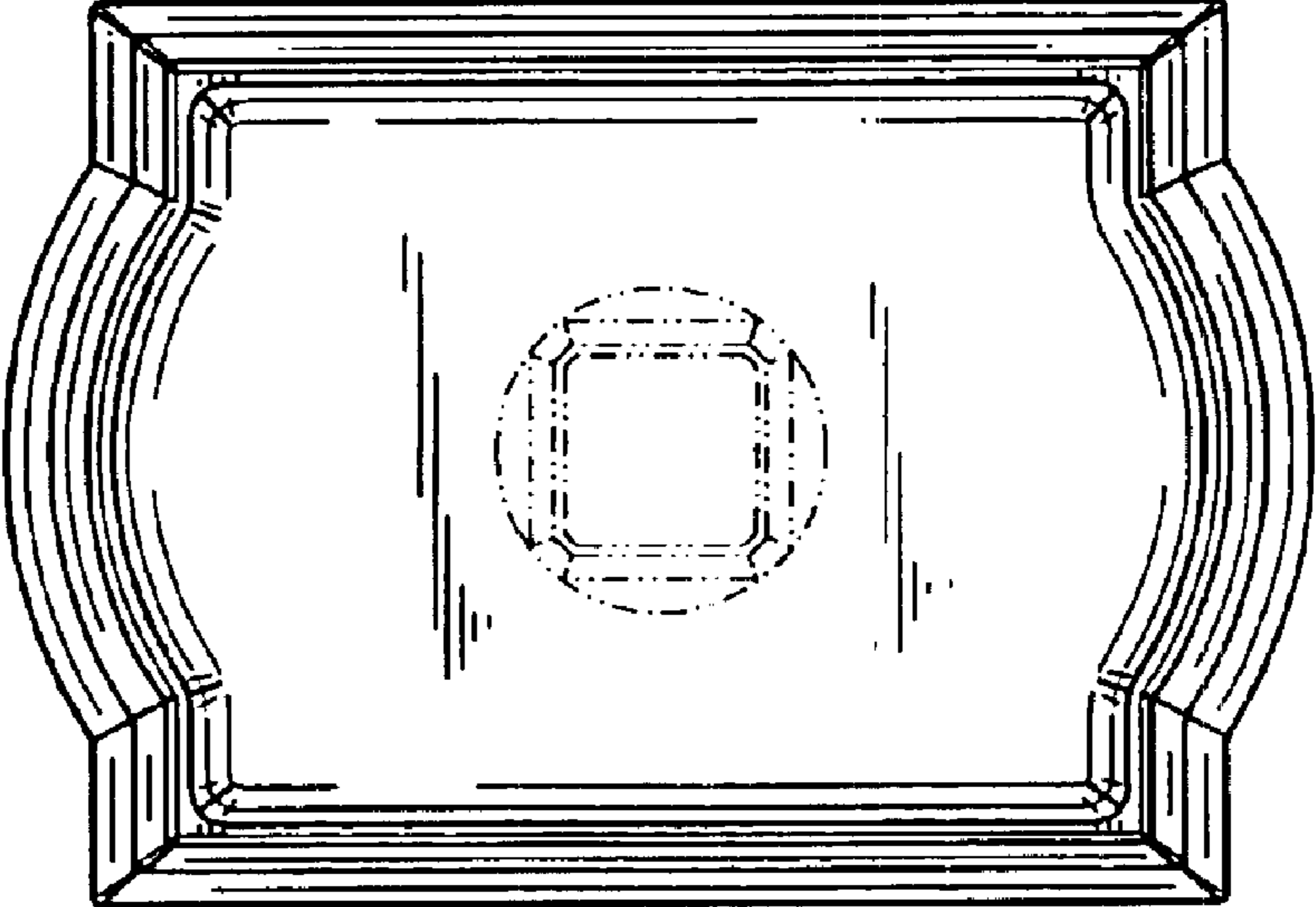


FIG. 3

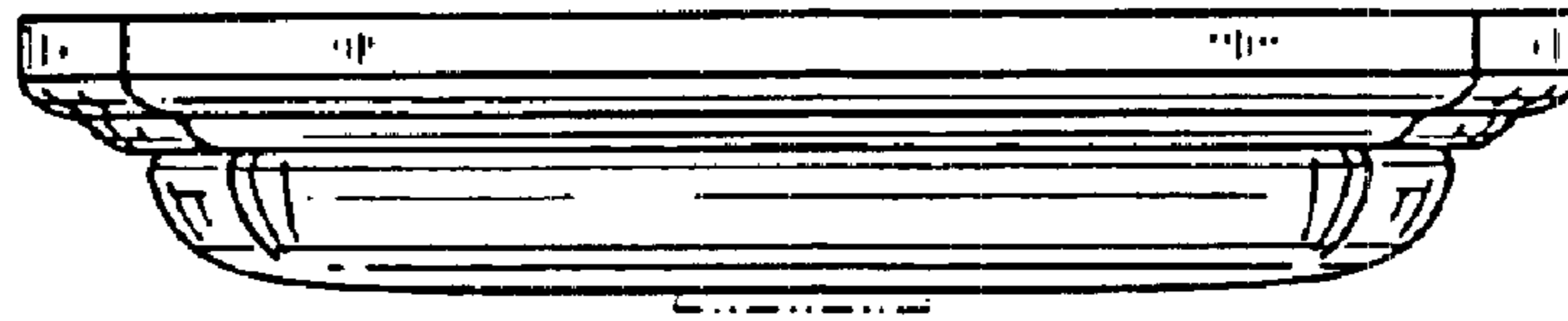


FIG. 4

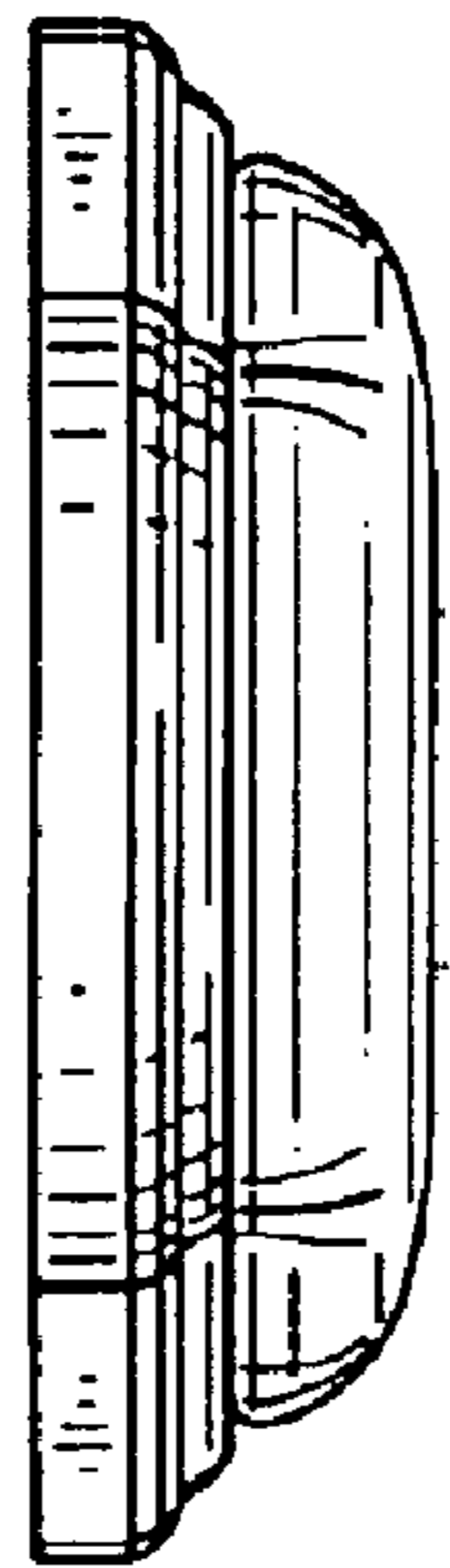
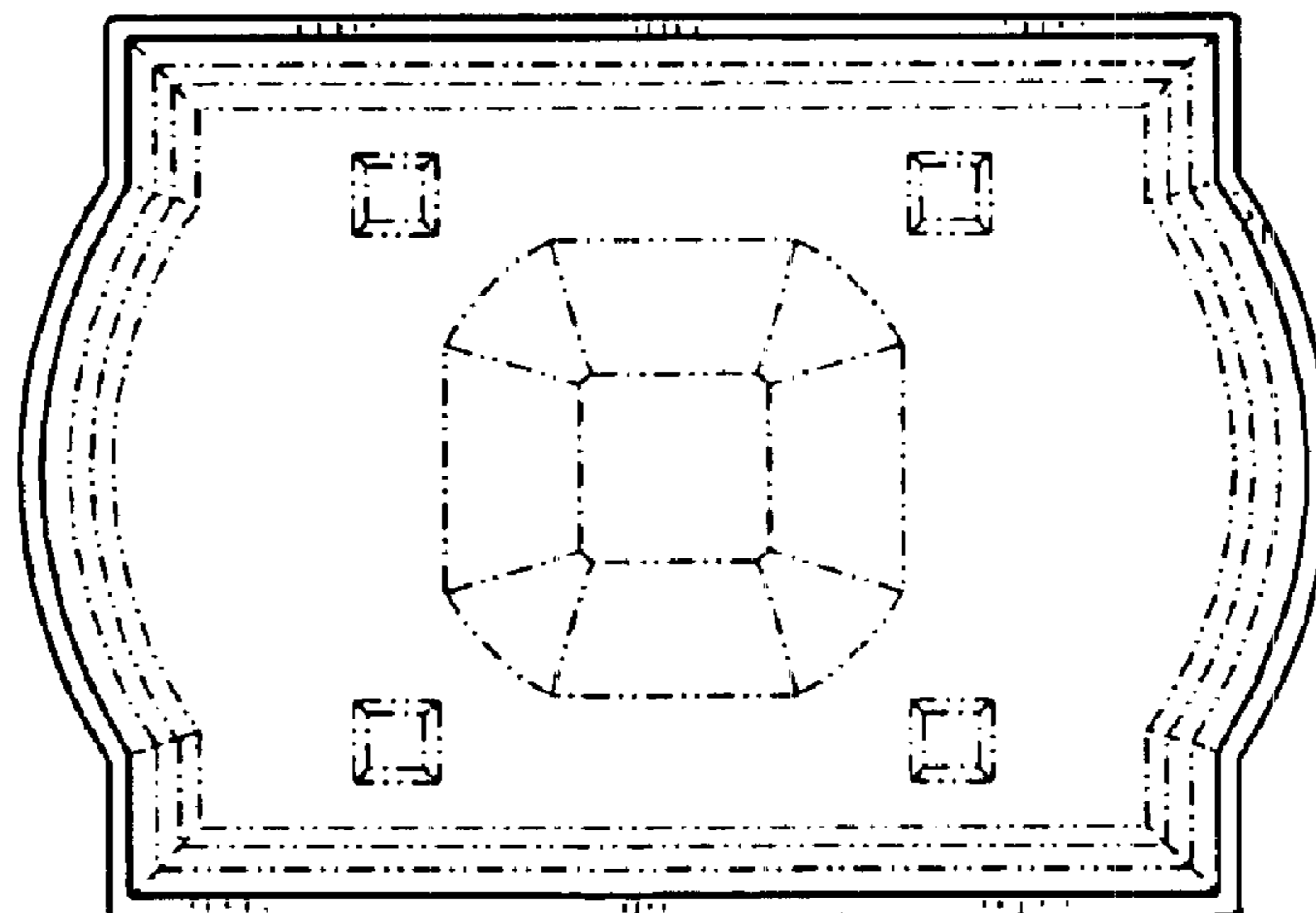


FIG. 5



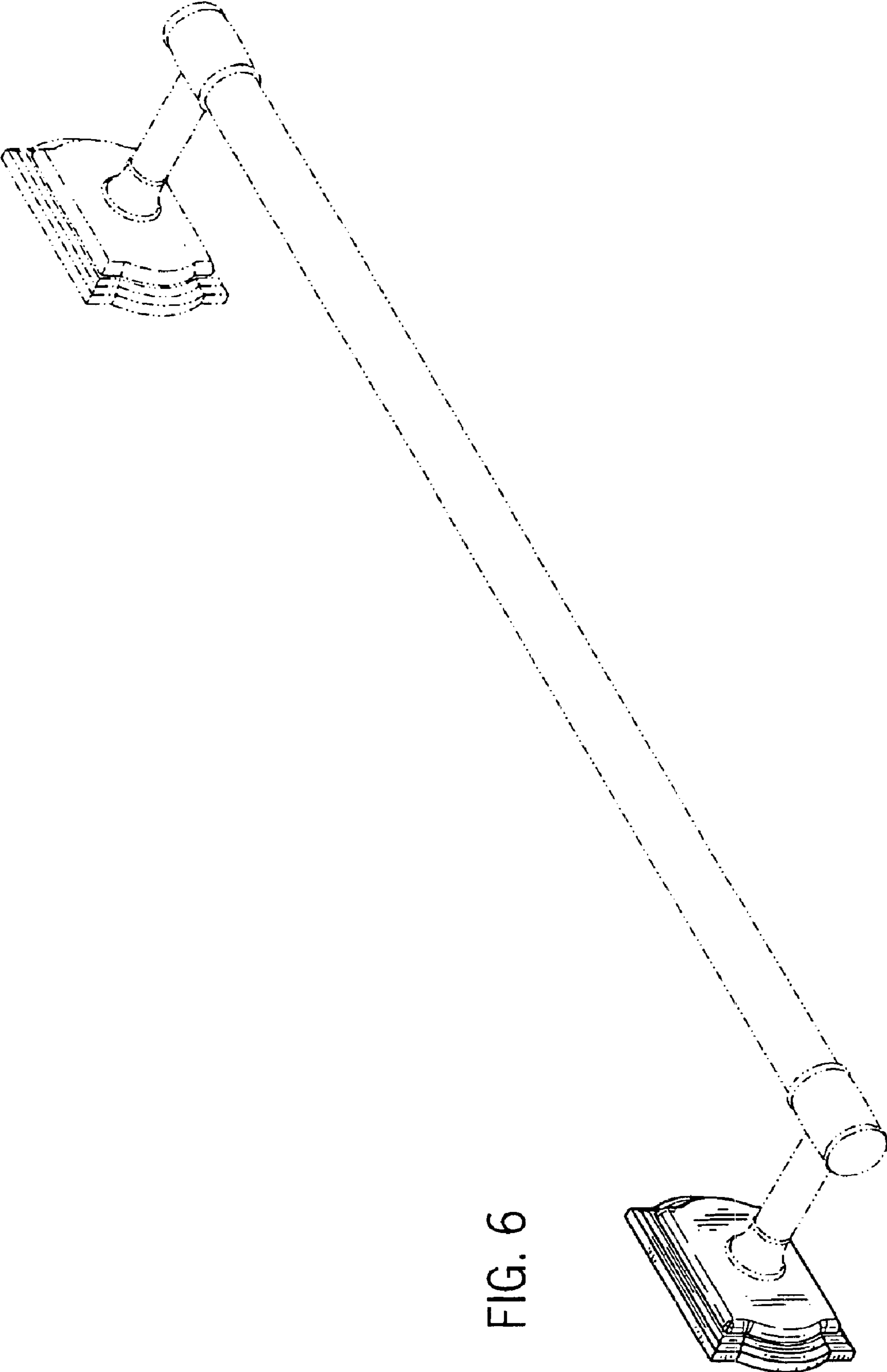


FIG. 6

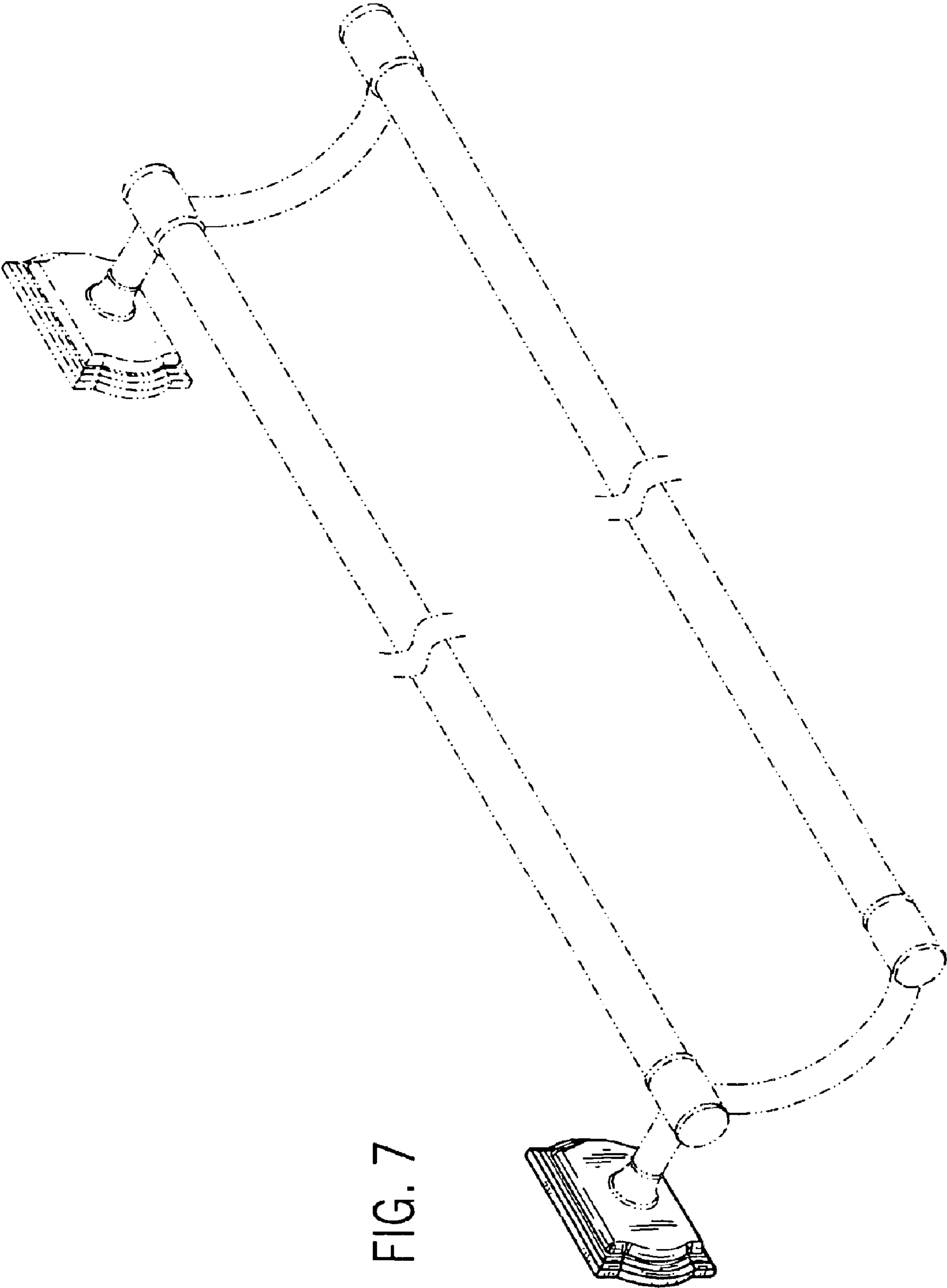


FIG. 7

FIG. 8

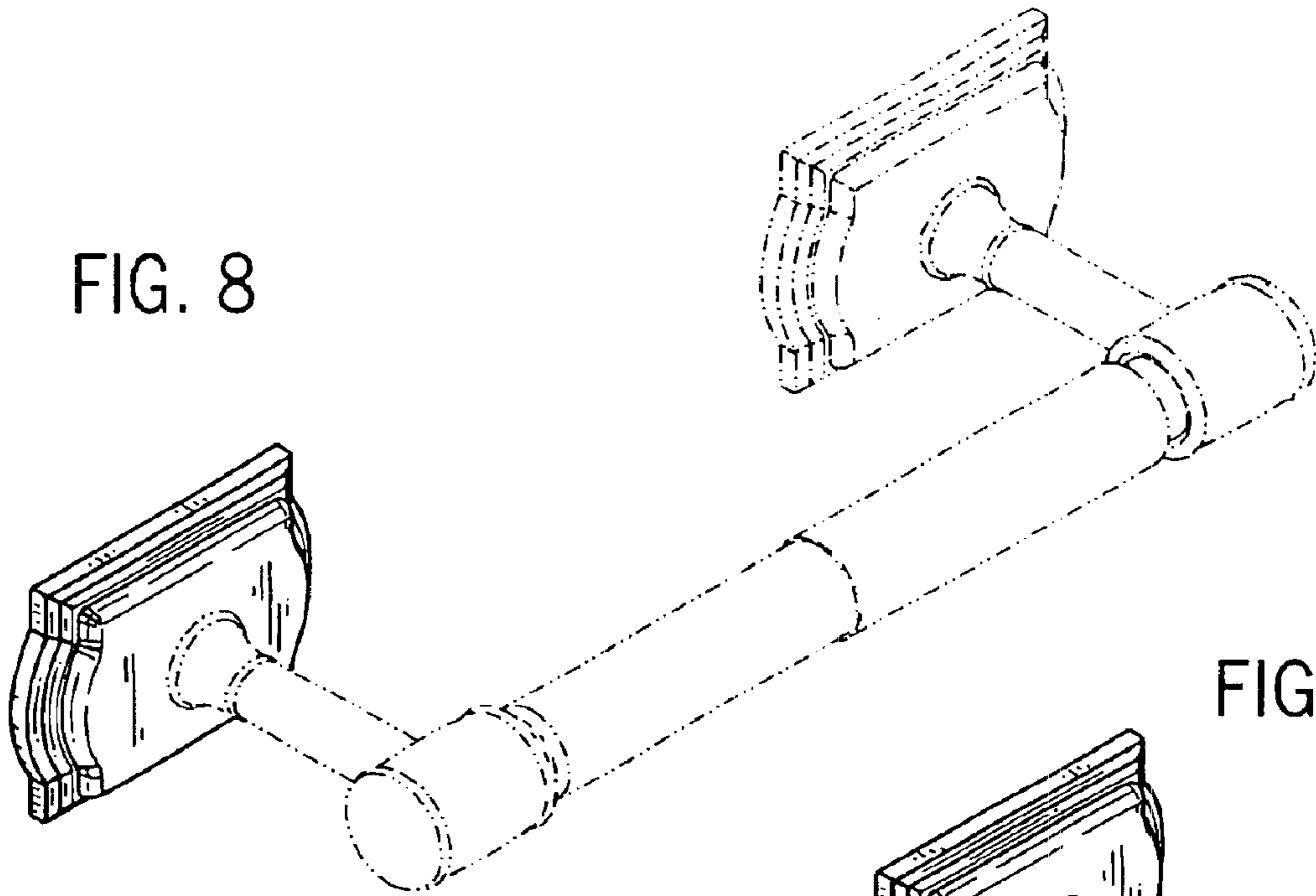


FIG. 9

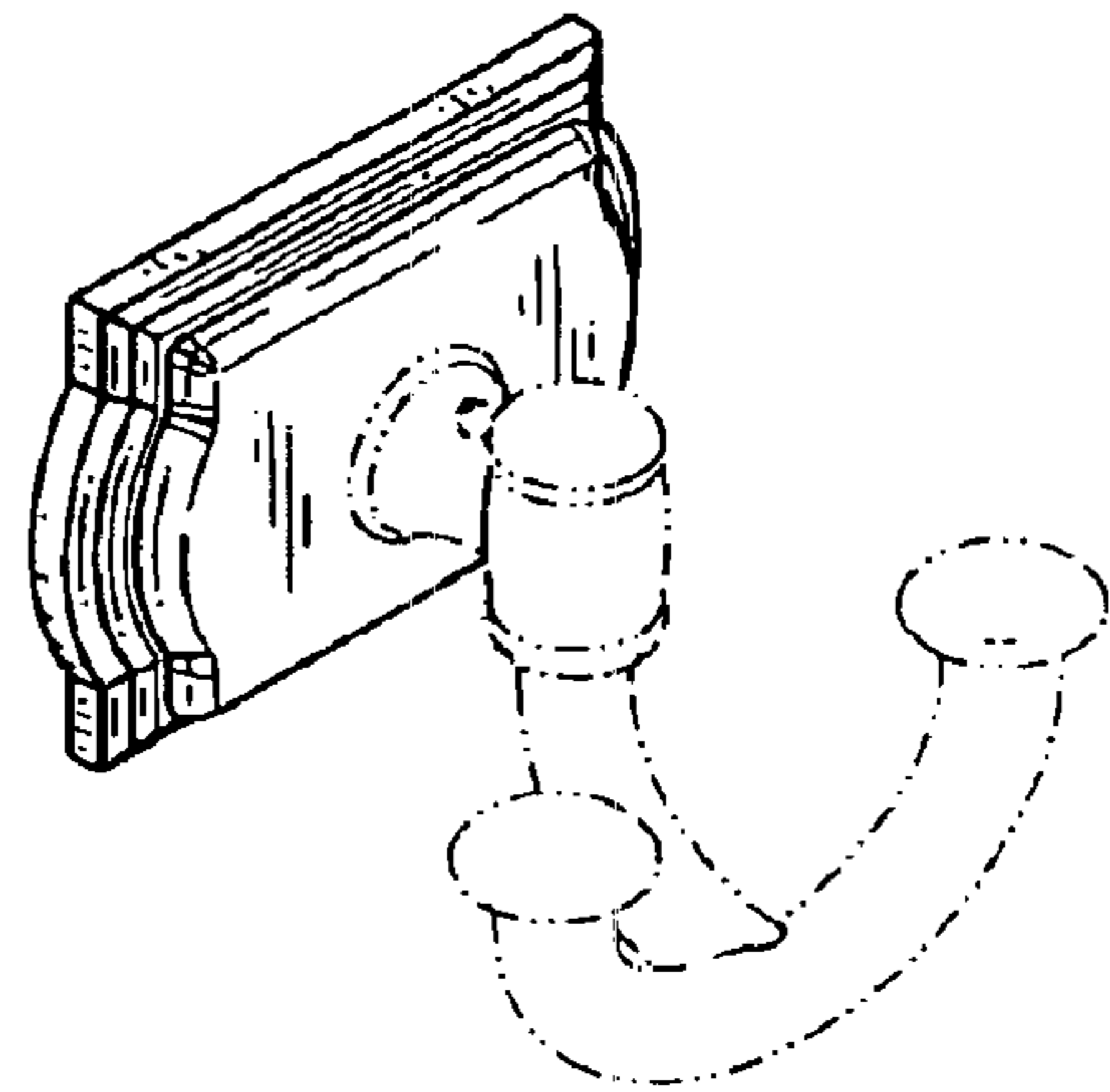


FIG. 10

