

US00D503317S

(12) **United States Design Patent**  
**Anderson**

(10) **Patent No.:** **US D503,317 S**  
(45) **Date of Patent:** **\*\* Mar. 29, 2005**

(54) **HAND HELD SCOOP**

(75) Inventor: **Dennis C. Anderson**, Northfield, MN  
(US)

(73) Assignee: **National Polymers Inc.**, Lakeville, MN  
(US)

(\*\*) Term: **14 Years**

(21) Appl. No.: **29/200,084**

(22) Filed: **Feb. 24, 2004**

(51) **LOC (7) Cl.** ..... **07-02**

(52) **U.S. Cl.** ..... **D7/691; D10/46.2**

(58) **Field of Search** ..... **D7/680-696, 393,**  
**D7/395, 653-664, 642, 643; D10/46.2,**  
**46.3; 30/324-328; 294/55; 73/426-429**

(56) **References Cited**

**U.S. PATENT DOCUMENTS**

D70,329 S 6/1926 Johnson  
D91,408 S 1/1934 Kanter  
D127,611 S 6/1941 Hadield  
D156,850 S 1/1950 Shirley

D163,117 S 5/1951 Hobbs  
D174,365 S 3/1955 Wilson  
D223,277 S \* 4/1972 Macowski ..... D10/46.3  
D319,985 S \* 9/1991 Crawford et al. .... D10/46.2  
D412,671 S \* 8/1999 Conforti ..... D10/46.2

\* cited by examiner

*Primary Examiner*—Terry A. Wallace

(74) *Attorney, Agent, or Firm*—James V. Harmon

(57) **CLAIM**

The ornamental design for a hand held scoop, as shown and described.

**DESCRIPTION**

FIG. 1 is a top left side perspective view of a hand held scoop showing my new design;

FIG. 2 is a top view of a hand held scoop showing my new design;

FIG. 3 is a bottom plan view thereof;

FIG. 4 is a right side elevational view thereof;

FIG. 5 is a left side elevational view thereof;

FIG. 6 is a front elevational view thereof; and,

FIG. 7 is a rear elevational view thereof.

**1 Claim, 2 Drawing Sheets**

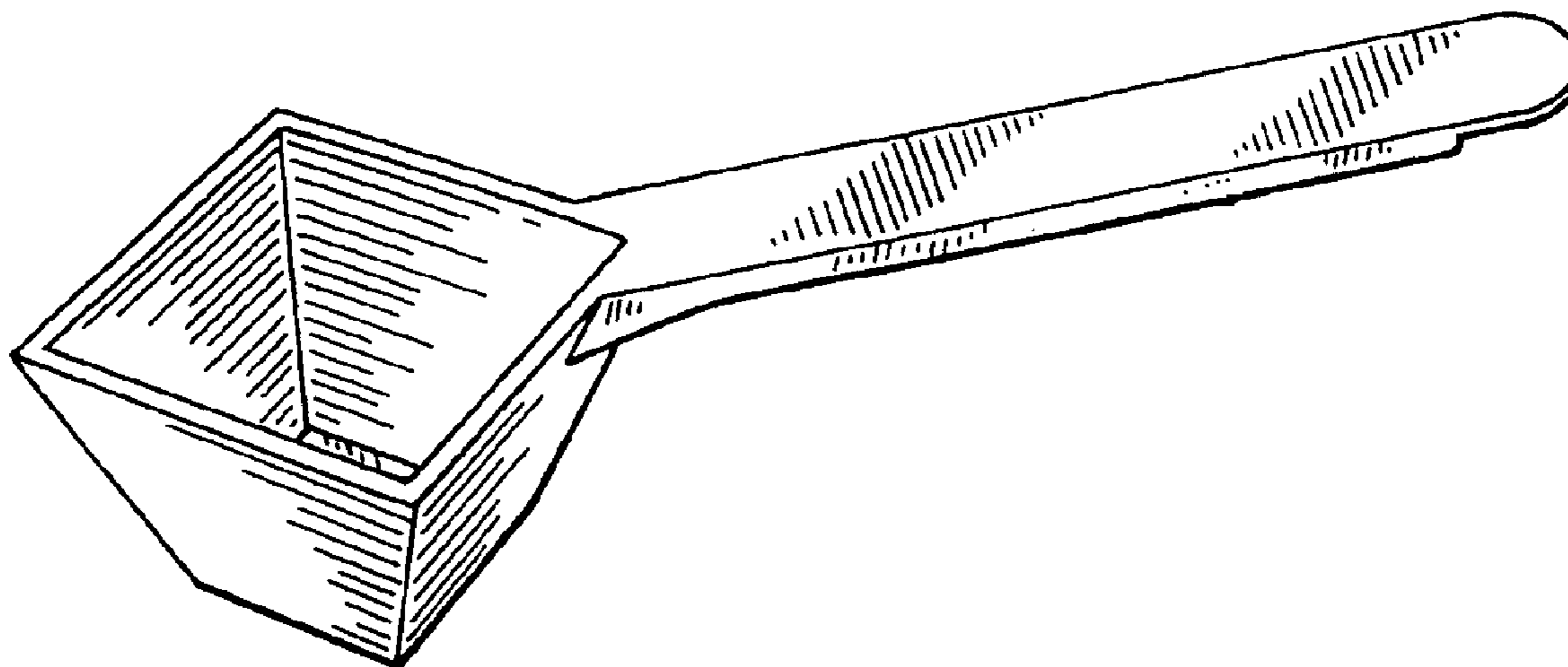


FIG. 1

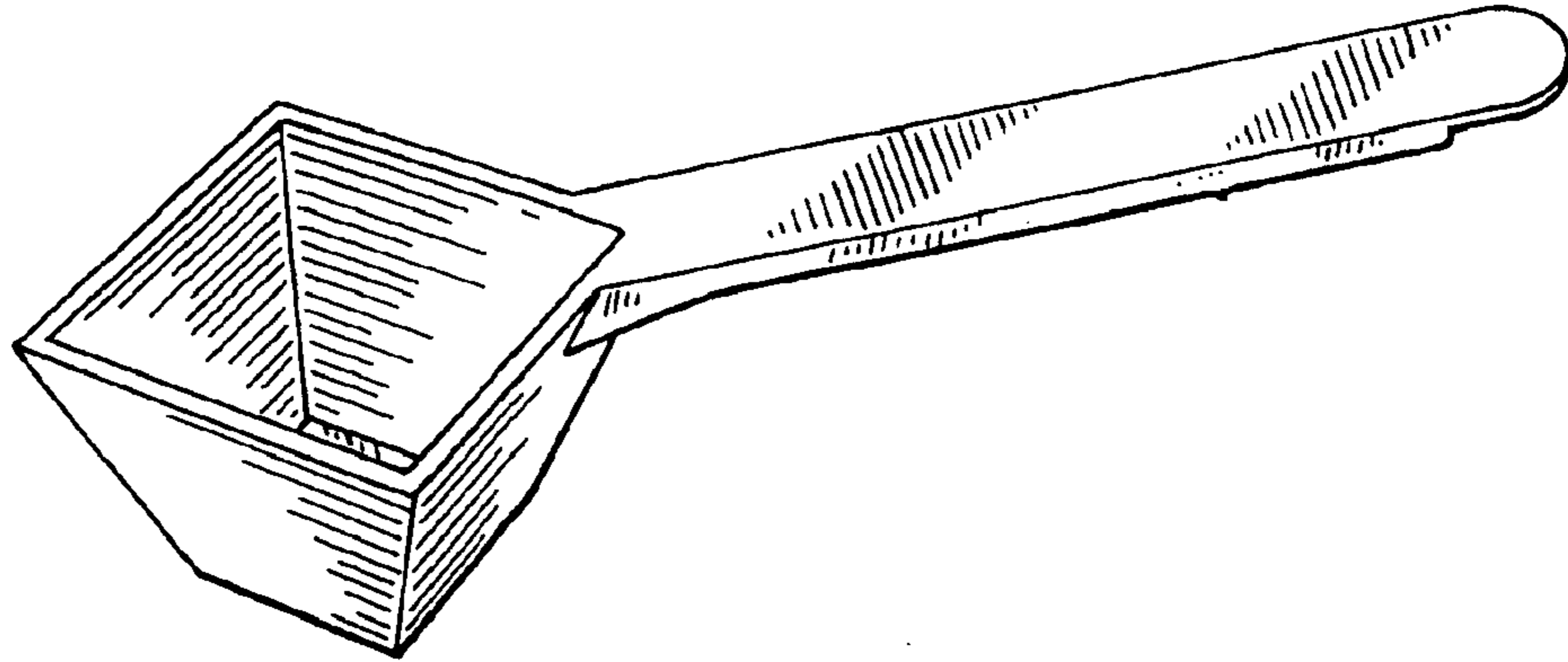


FIG. 2

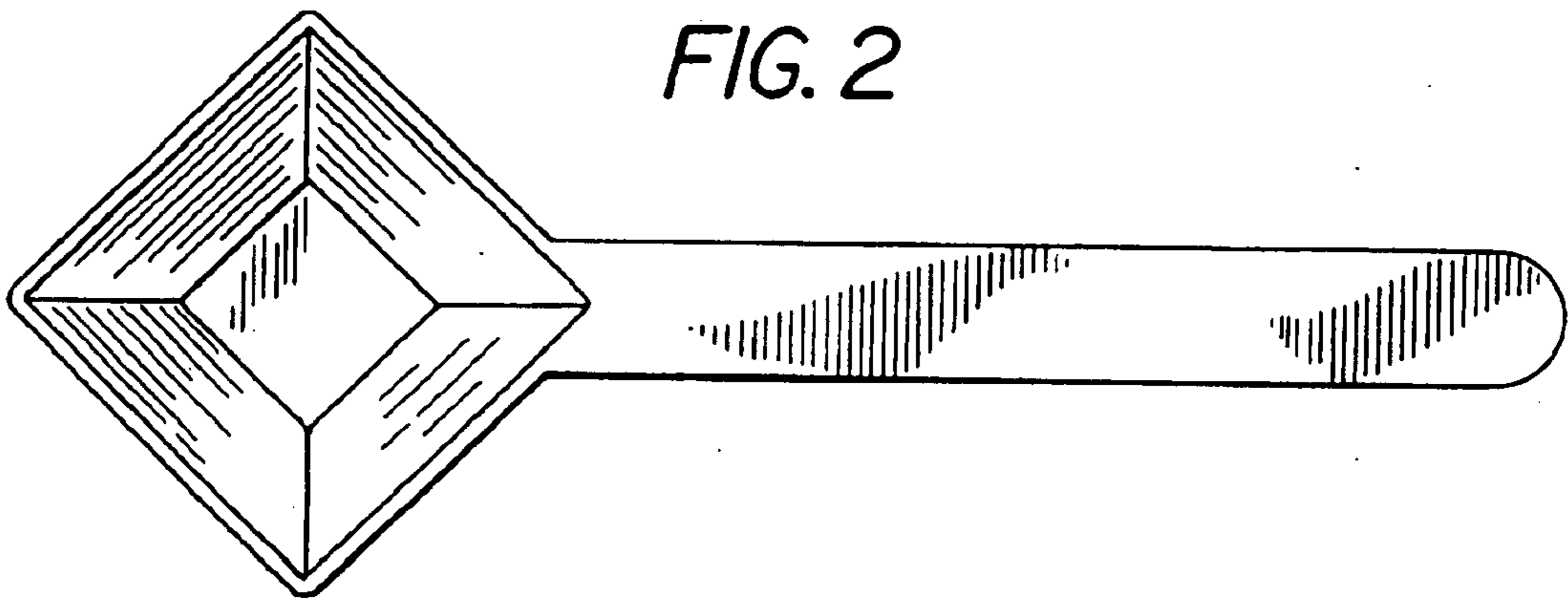


FIG. 3

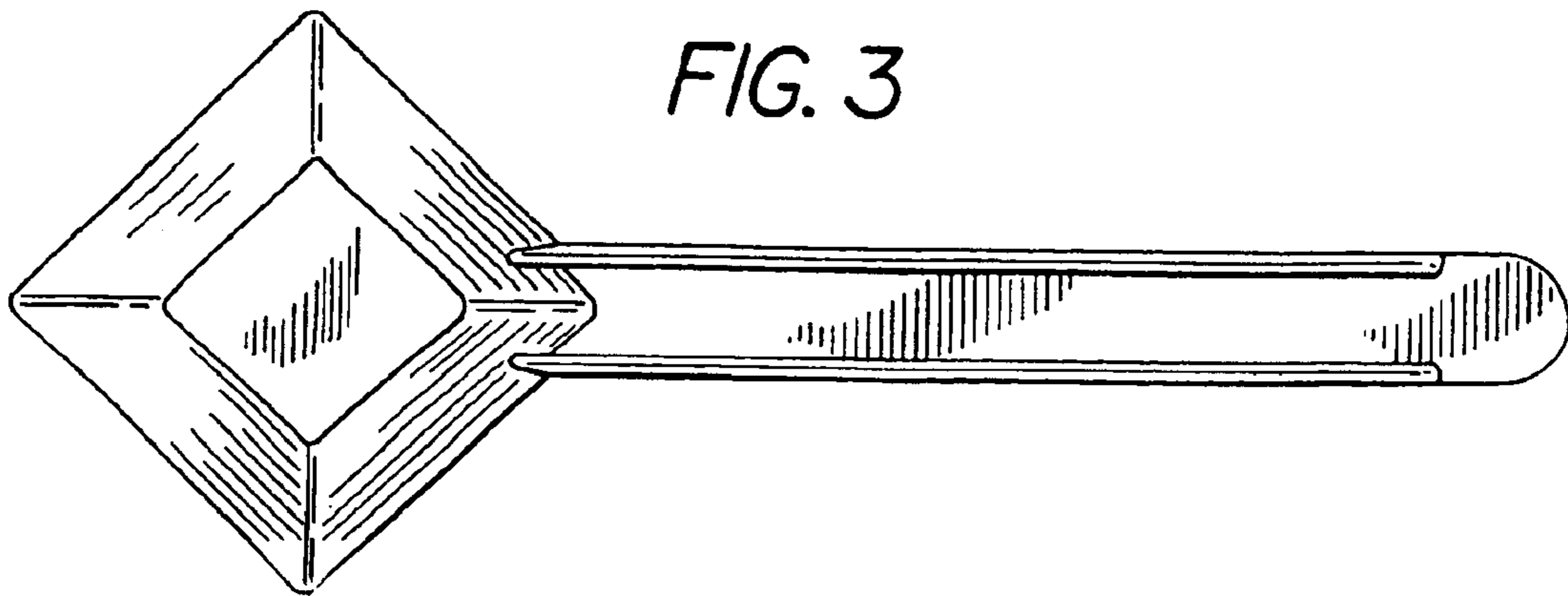


FIG. 4

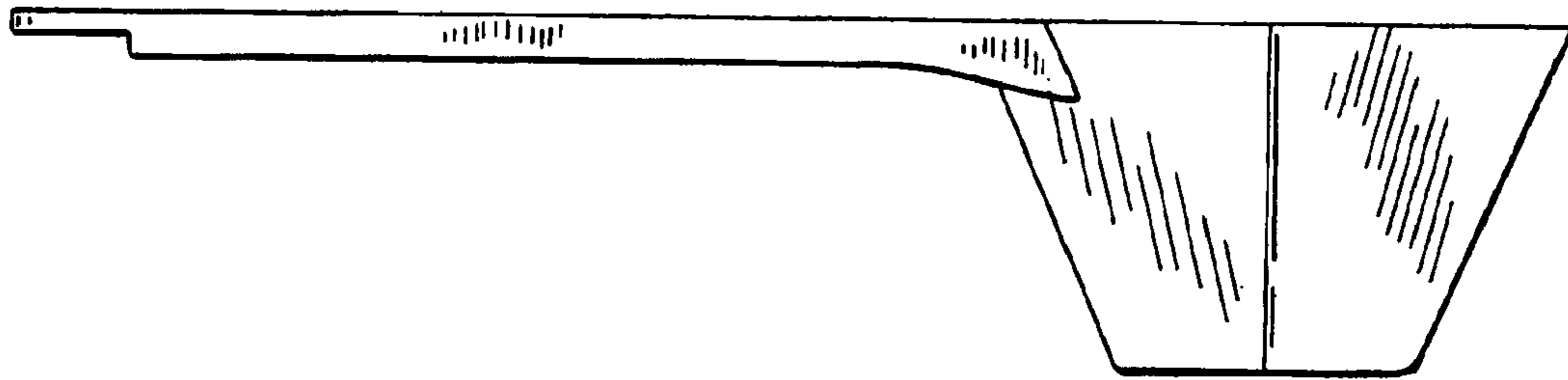


FIG. 5

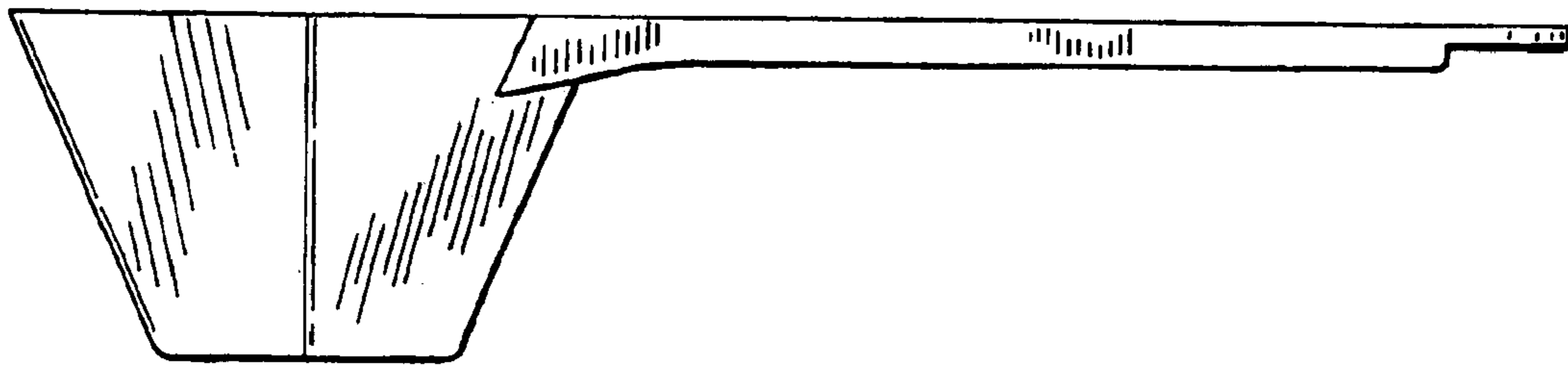


FIG. 6

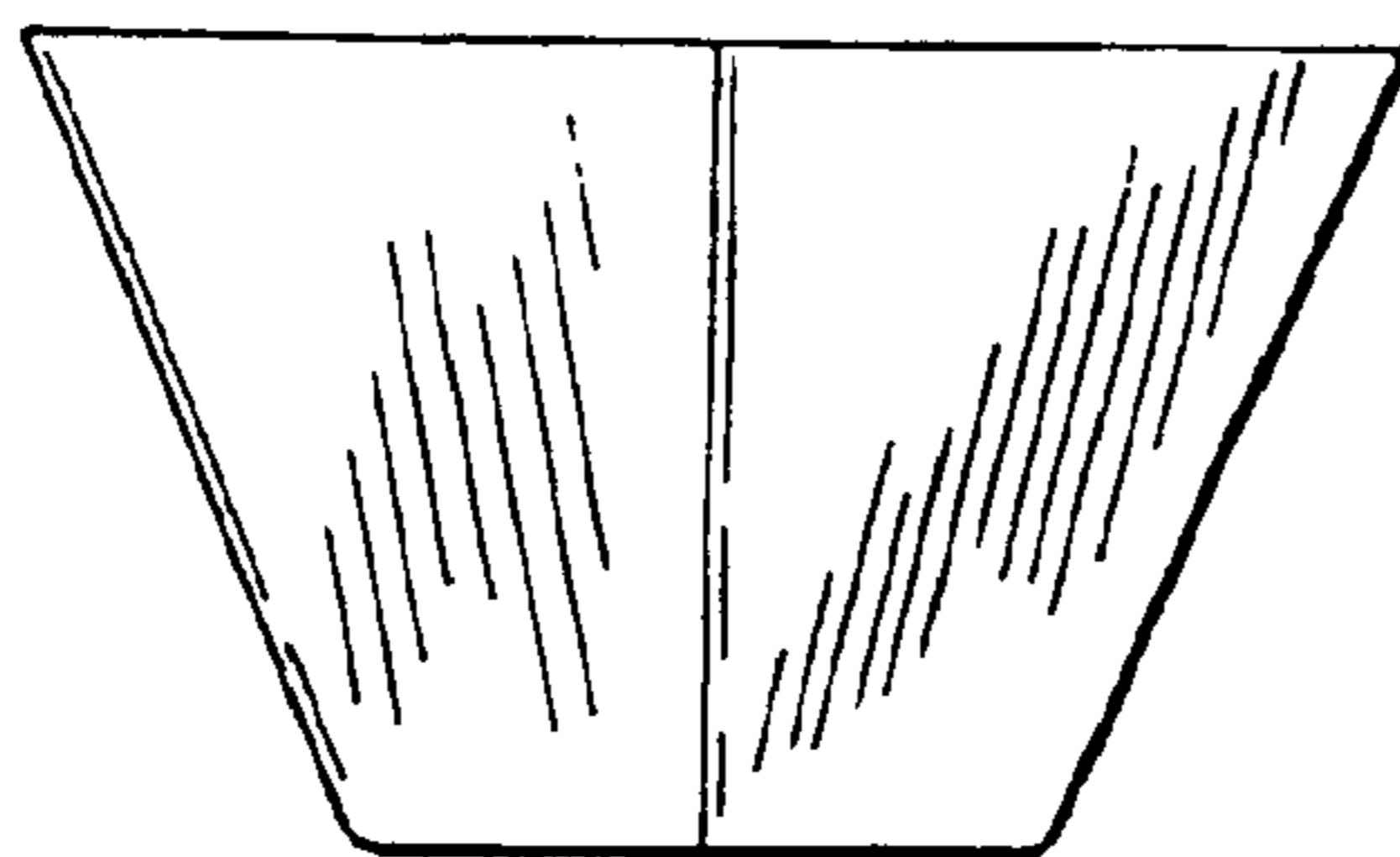


FIG. 7

