



US00D503307S

(12) **United States Design Patent**
Thomkins

(10) **Patent No.:** **US D503,307 S**
(45) **Date of Patent:** **** Mar. 29, 2005**

- (54) **POT HANDLE**
- (75) **Inventor:** **Nicolas Thomkins, Lucerne (CH)**
- (73) **Assignee:** **All-Clad Switzerland GmbH, Eschlikon (CH)**
- (**) **Term:** **14 Years**
- (21) **Appl. No.:** **29/191,179**
- (22) **Filed:** **Oct. 1, 2003**
- (51) **LOC (7) Cl.** **07-02**
- (52) **U.S. Cl.** **D7/394**
- (58) **Field of Search** D7/393, 394, 354-361; D8/306, 317; 16/110.1, 415, 419, 430, 431, 436, 444; 220/573.1-573.5, 752-755, 758, 768, 912

D367,584 S * 3/1996 Koch D7/394
D438,426 S * 3/2001 Yu et al. D7/394

* cited by examiner

Primary Examiner—Terry A. Wallace
(74) *Attorney, Agent, or Firm*—Fross Zelnick Lehrman & Zissu, P.C.; David I. Greenbaum, Esq.

(57) **CLAIM**

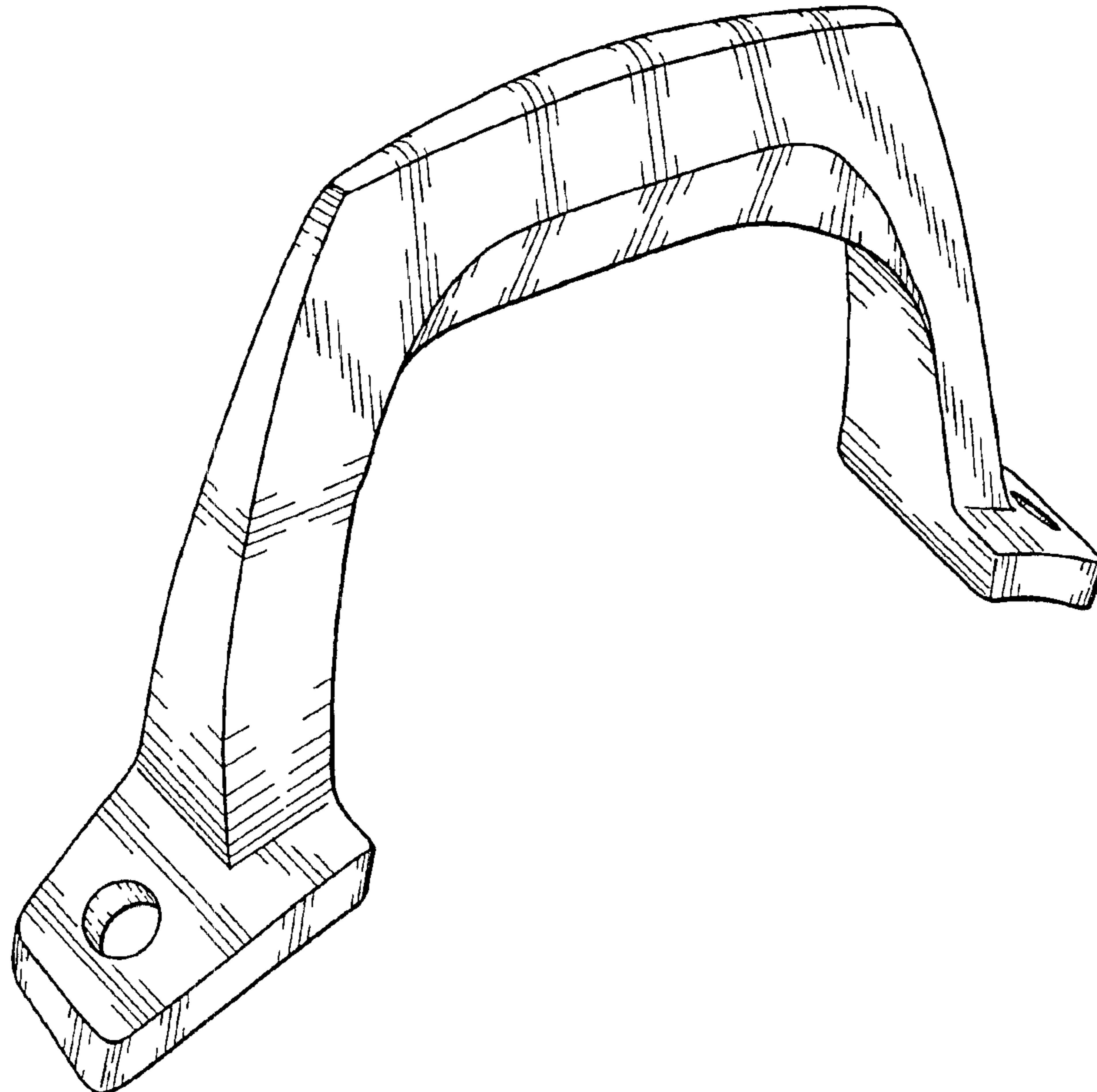
The ornamental design for a pot handle, as shown and described.

DESCRIPTION

FIG. 1 is a perspective view of a pot handle; FIG. 2 is a front view of the pot handle shown in FIG. 1, the rear view being identical; FIG. 3 is a top view of the pot handle shown in FIG. 1; FIG. 4 is a rear view of the pot handle shown in FIG. 1; FIG. 5 is a bottom view of the pot handle shown in FIG. 1; and, FIG. 6 is a side view of the pot handle shown in FIG. 1, the other side view being a mirror image thereof.

- (56) **References Cited**
U.S. PATENT DOCUMENTS
D28,324 S * 3/1898 Pritchard D7/394
D283,977 S * 5/1986 Kunzler D8/306
D284,539 S * 7/1986 Baumgarten D7/393

1 Claim, 4 Drawing Sheets



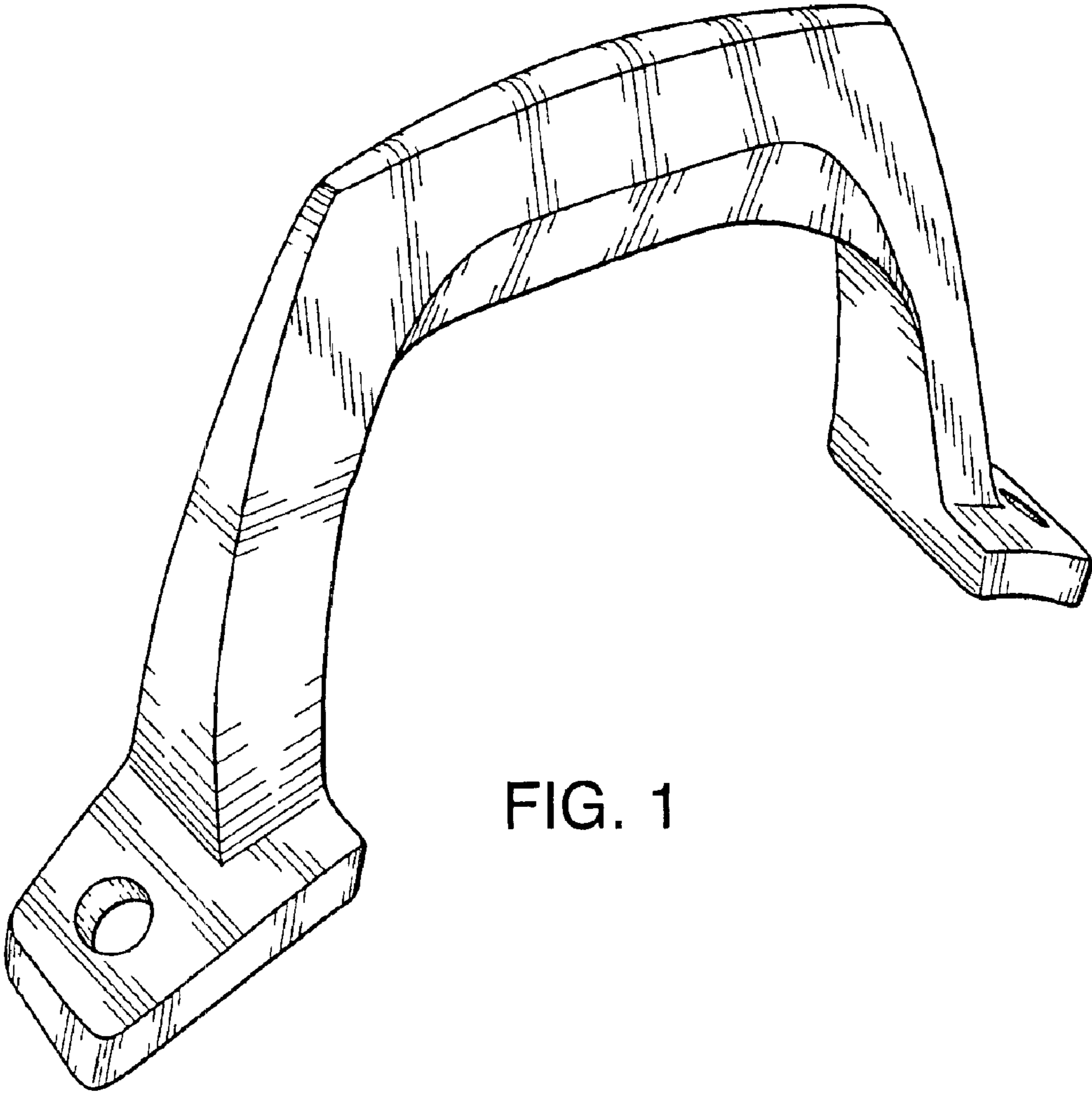


FIG. 1

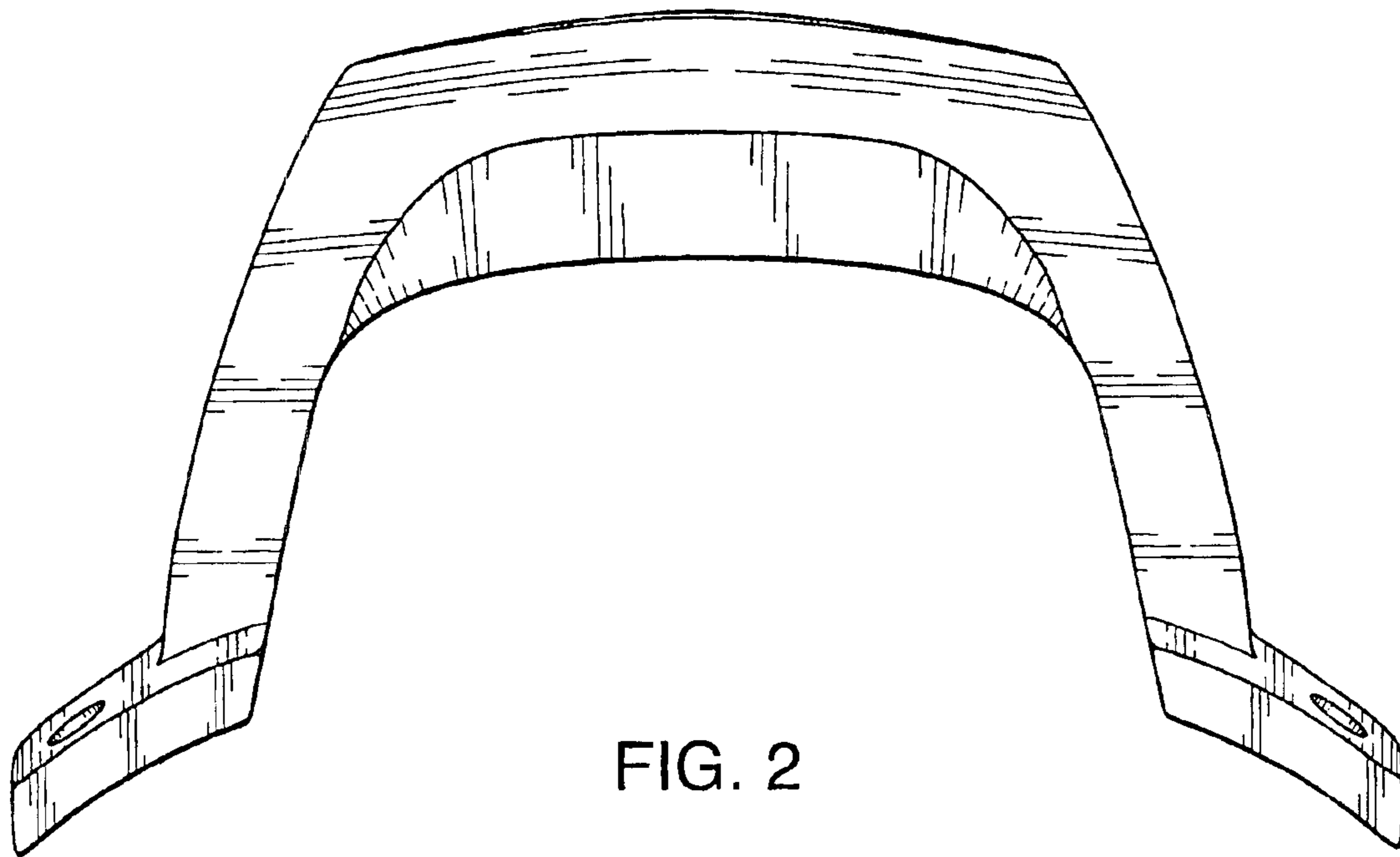


FIG. 2

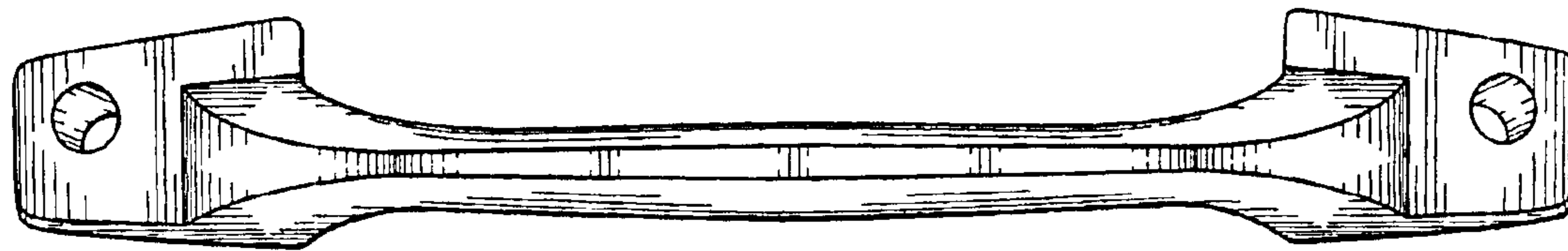


FIG. 3

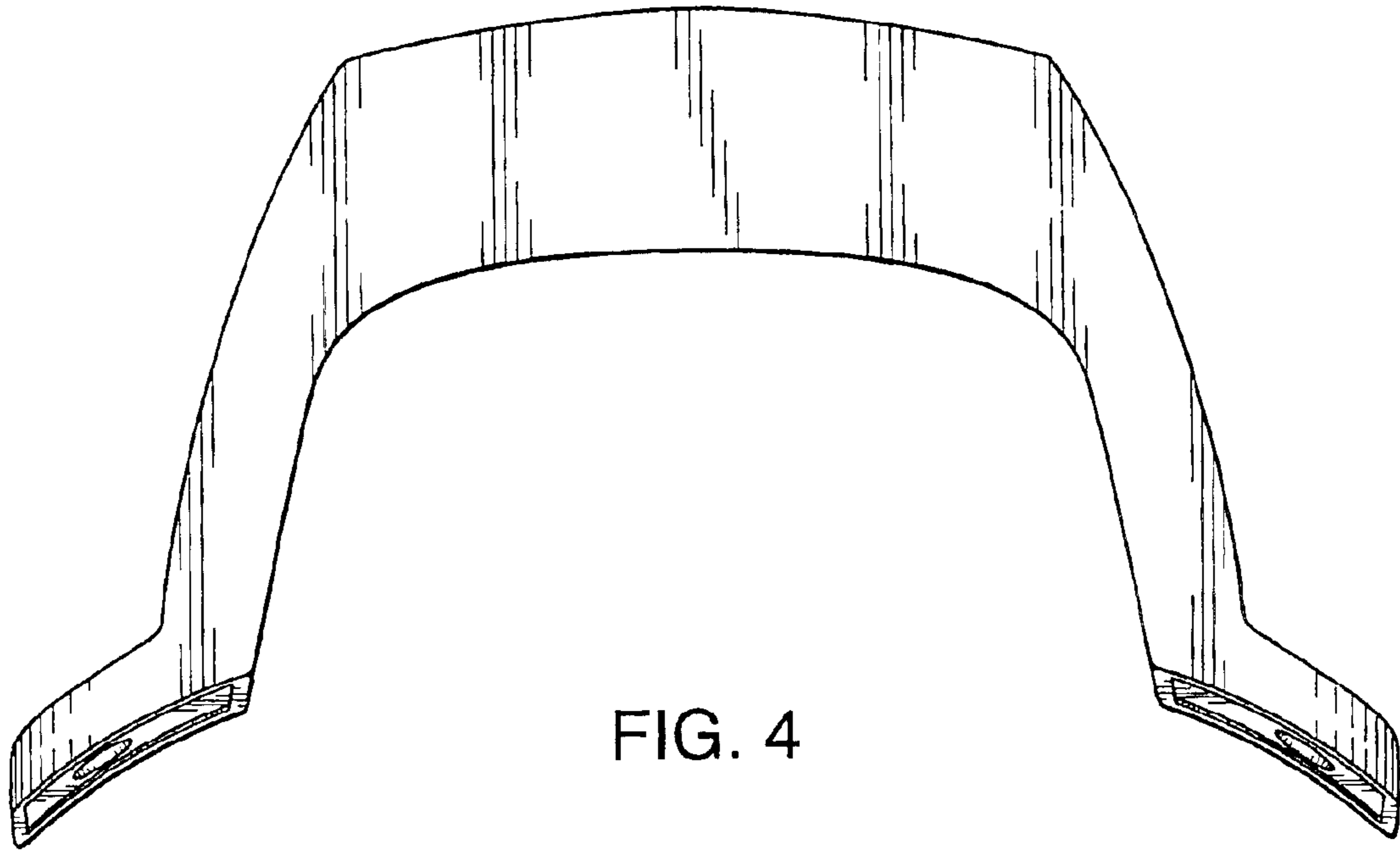


FIG. 4

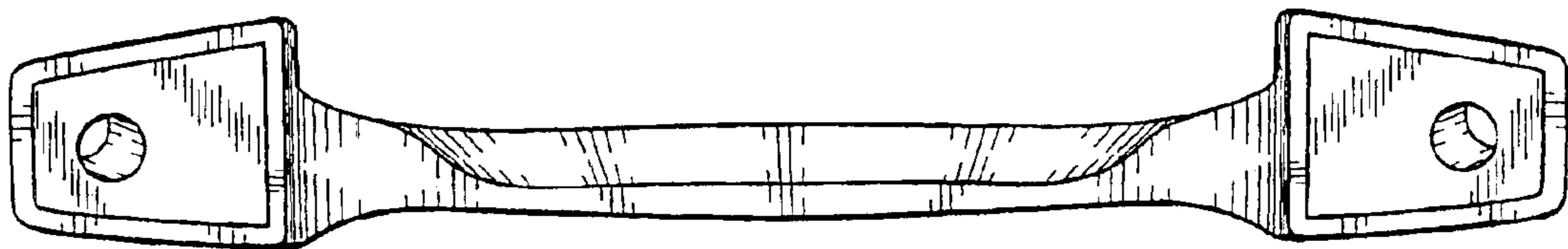


FIG. 5

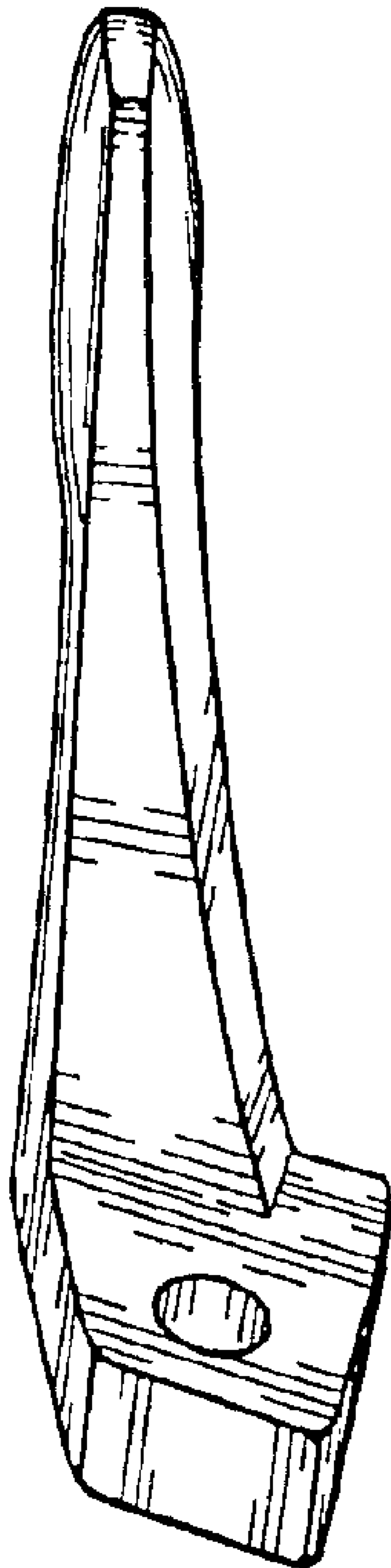


FIG. 6