

US00D503302S

(12) **United States Design Patent**
Farber et al.

(10) **Patent No.: US D503,302 S**
(45) **Date of Patent: ** Mar. 29, 2005**

(54) **TABLE TOP**

2,609,627 A 9/1952 Delf et al.
2,624,469 A 1/1953 Cadwell

(75) Inventors: **Robert Farber, Montreal (CA); Jason C. Farber, Montreal (CA)**

(Continued)

(73) Assignee: **GSC Technology Corporation, St. Jean Quebec (CA)**

FOREIGN PATENT DOCUMENTS

(**) Term: **14 Years**

DE 33 39 903 A1 5/1985
EP 0 153 045 A2 1/1985
EP 0 193 201 A1 3/1986
GB 2 215 191 A 9/1989

(21) Appl. No.: **29/193,316**

OTHER PUBLICATIONS

(22) Filed: **Nov. 7, 2003**

Copy of U.S. Appl. No. 29/181,441, Farber et al., filed May 9, 2003.

(51) **LOC (7) Cl. 06-06**

Copy of U.S. Appl. No. 29/181,431, Farber et al., filed May 9, 2003.

(52) **U.S. Cl. D6/511**

(58) **Field of Search** D6/480-489, 511,
D6/429, 422; 108/150, 153.1, 155, 156,
157.1, 157.15, 159.12, 161, 27, 115, 117,
118, 120; 312/140.2, 140.3

Primary Examiner—Janice E. Seeger
(74) *Attorney, Agent, or Firm*—Cook, Alex, McFarron,
Manzo, Cummings & Mehler, Ltd.

(56) **References Cited**

(57) **CLAIM**

U.S. PATENT DOCUMENTS

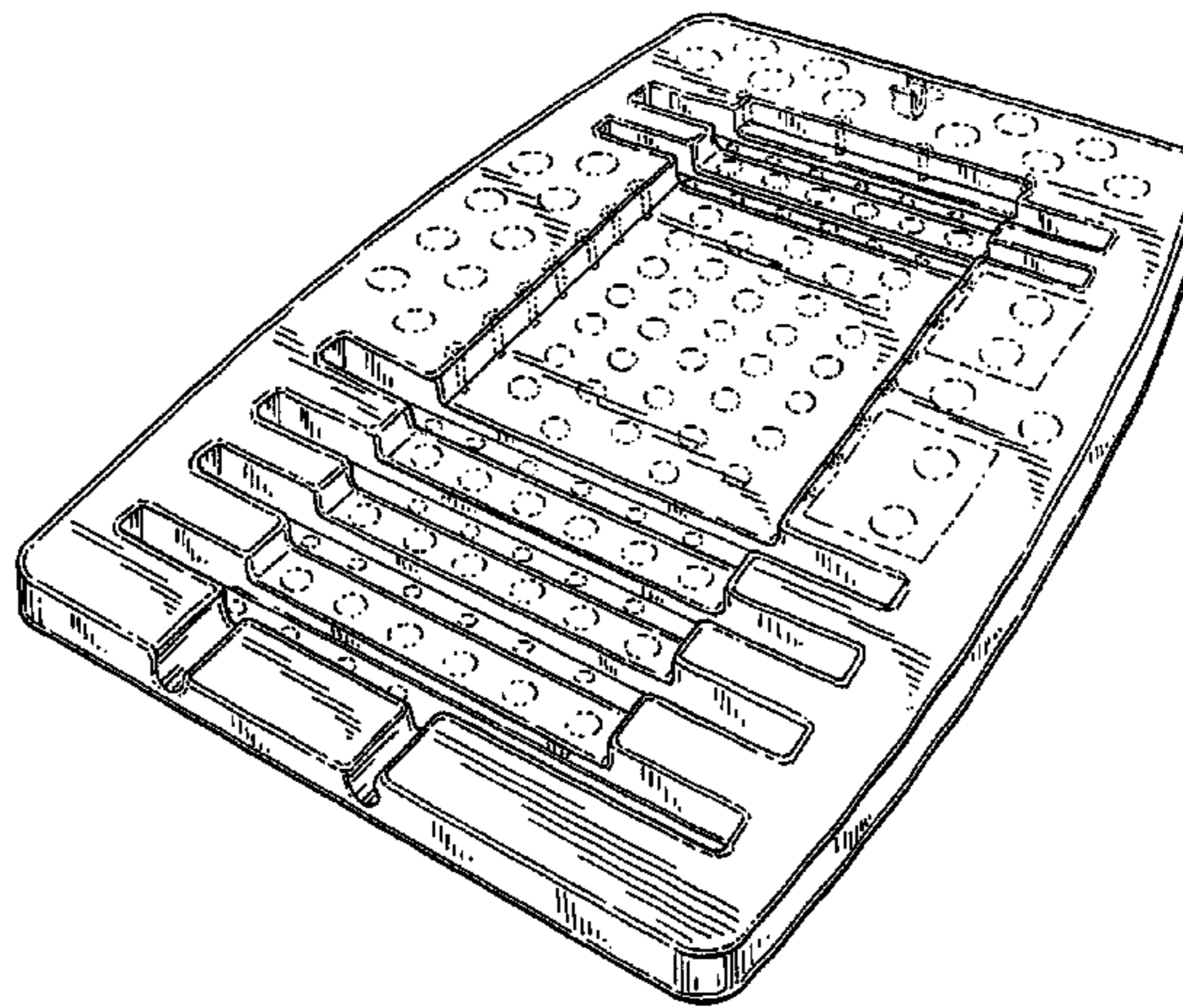
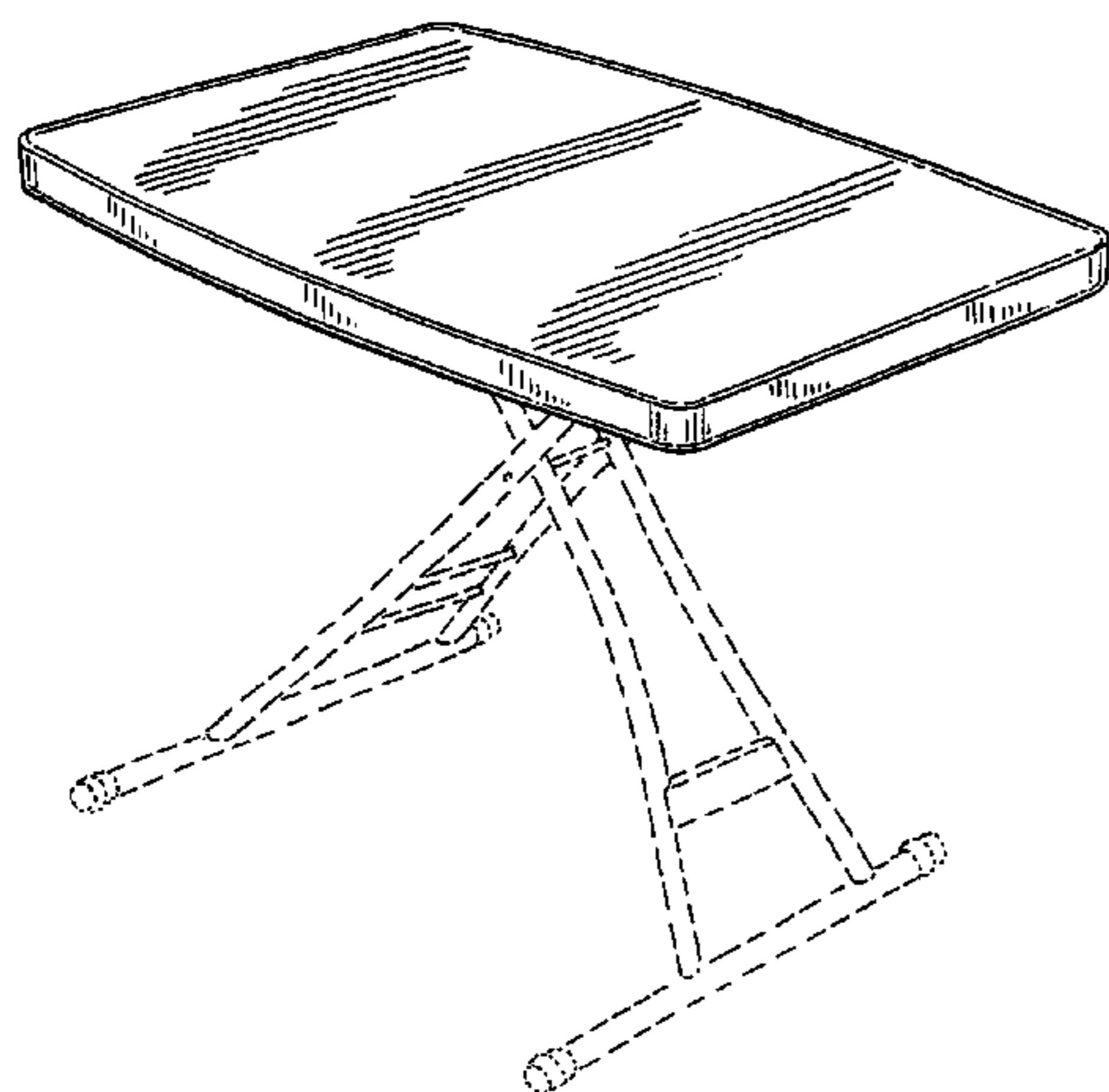
The ornamental design for a table top, as shown and described.

| | | |
|-------------|---------|---------------|
| 152,691 A | 6/1874 | Samson |
| 166,874 A | 8/1875 | Hood |
| 200,057 A | 2/1878 | Hart |
| 291,525 A | 1/1884 | Long |
| 292,084 A | 1/1884 | Witt |
| 313,632 A | 3/1885 | Stowell |
| 349,627 A | 9/1886 | Blackmer |
| 366,069 A | 7/1887 | Blackmer |
| 981,114 A | 1/1911 | Ridgely |
| 1,053,357 A | 2/1913 | Carter |
| 1,062,434 A | 5/1913 | Brooks |
| 1,190,984 A | 7/1916 | Clark |
| 1,278,797 A | 9/1918 | Broyles |
| 1,391,755 A | 9/1921 | Boysen |
| 1,593,835 A | 7/1926 | McNeal et al. |
| 1,942,190 A | 1/1934 | Smullin |
| 2,106,309 A | 1/1938 | Sweeney |
| D145,965 S | 11/1946 | Baker |
| 2,432,192 A | 12/1947 | Guadette |
| D149,619 S | 5/1948 | Dahm |
| 2,472,722 A | 6/1949 | Newstead |
| 2,582,791 A | 1/1952 | Page |

DESCRIPTION

FIG. 1 is a front perspective view of our new design for a table top;
FIG. 2 is a rear perspective view of our new design for a table top;
FIG. 3 is a top view of the table top shown in FIG. 1;
FIG. 4 is a bottom view of the table top shown in FIG. 1;
FIG. 5 is a rear view of the table top shown in FIG. 1;
FIG. 6 is a front view of the table top shown in FIG. 1;
FIG. 7 is a right side view of the table top shown in FIG. 1;
FIG. 8 is a left side view of the table top shown in FIG. 1;
and,
FIG. 9 is another perspective view of the bottom of the table top shown in FIG. 4.
The broken lines in the drawings are for illustrative purposes only and form no part of the invention.

1 Claim, 5 Drawing Sheets



US D503,302 S

U.S. PATENT DOCUMENTS

| | | | | | |
|-------------|---------|---------------|----------------|---------|---------------------------|
| 2,673,773 A | 3/1954 | Dusenbury | 5,678,491 A | 10/1997 | Price et al. |
| 2,678,858 A | 5/1954 | Davis | 5,694,865 A | 12/1997 | Raab |
| 2,683,944 A | 7/1954 | Kiel | D391,788 S | 3/1998 | Hutton |
| 2,733,971 A | 2/1956 | House | D392,812 S | 3/1998 | Hicks |
| 2,802,578 A | 8/1957 | Barile | 5,732,637 A | 3/1998 | Raab |
| 2,977,169 A | 3/1961 | Geller | D399,684 S | 10/1998 | Glass |
| 3,025,119 A | 3/1962 | Lucier | 5,823,121 A | 10/1998 | Reiter |
| 3,185,113 A | 5/1965 | Nathan et al. | 5,829,365 A | 11/1998 | Cheng et al. |
| 3,199,472 A | 8/1965 | Stelniceanu | D402,830 S | 12/1998 | Chalmers |
| 3,298,328 A | 1/1967 | Hoodis | D403,182 S | 12/1998 | Fu |
| 3,393,649 A | 7/1968 | Miotke | D403,183 S | 12/1998 | Lewis |
| 3,401,653 A | 9/1968 | Knoblock | 5,868,081 A | 2/1999 | Raab |
| 3,491,705 A | 1/1970 | Blanke | 5,947,037 A | 9/1999 | Hornberger et al. |
| D219,080 S | 10/1970 | Zellner | D416,148 S | 11/1999 | Pagnon et al. |
| 3,680,942 A | 8/1972 | Davis | 6,058,854 A | 5/2000 | Tarnay et al. |
| D226,603 S | 4/1973 | Knighten | 6,089,667 A | 7/2000 | Hobbs |
| 3,738,286 A | 6/1973 | Hoffman | 6,112,674 A | 9/2000 | Stanford |
| 3,742,871 A | 7/1973 | Kienel | D438,033 S | 2/2001 | Schultz |
| D229,999 S | 1/1974 | Blazey | D440,080 S | 4/2001 | Suzuki |
| D230,232 S | 2/1974 | Howard | D443,442 S | 6/2001 | Hutton |
| 3,967,562 A | 7/1976 | Anacker | 6,247,772 B1 | 6/2001 | Tuttle et al. |
| D243,376 S | 2/1977 | Scott | D444,650 S | 7/2001 | Jeup |
| D243,983 S | 4/1977 | Carter | D449,184 S | 10/2001 | Cain |
| 4,122,780 A | 10/1978 | Brickman | 6,371,034 B1 | 4/2002 | Simpson et al. |
| D252,431 S | 7/1979 | Pfister | 6,431,092 B1 | 8/2002 | Stanford |
| D252,659 S | 8/1979 | Brickman | D463,687 S | 10/2002 | Goodworth |
| 4,168,669 A | 9/1979 | Arnoff | D468,135 S | 1/2003 | Ashby et al. |
| D256,532 S | 8/1980 | Aulenti | 6,508,184 B1 | 1/2003 | Winter et al. |
| 4,311,099 A | 1/1982 | Roberts | D469,994 S | 2/2003 | Smith |
| D266,218 S | 9/1982 | Hodson | D469,996 S | 2/2003 | Ashby |
| D273,448 S | 4/1984 | Colquhoun | D470,352 S * | 2/2003 | Strong D6/511 |
| D288,513 S | 3/1987 | Shelly | 6,520,094 B2 * | 2/2003 | Wen 108/132 |
| D294,318 S | 2/1988 | Zapf | 6,530,331 B2 | 3/2003 | Stanford |
| 4,850,282 A | 7/1989 | Postic | 6,550,404 B2 | 4/2003 | Stanford |
| 4,951,576 A | 8/1990 | Cobos et al. | 6,550,728 B1 | 4/2003 | Fuhrman |
| D315,073 S | 3/1991 | Goetz | 6,615,743 B2 | 9/2003 | Nien |
| D327,592 S | 7/1992 | Kerem | 6,622,644 B2 | 9/2003 | Buono |
| 5,271,338 A | 12/1993 | Bonham | D481,559 S | 11/2003 | Weaver |
| 5,353,715 A | 10/1994 | Luyk | 6,732,663 B2 * | 5/2004 | Tsai 108/132 |
| 5,443,020 A | 8/1995 | Price | D493,989 S * | 8/2004 | Farber et al. D6/511 |
| 5,445,085 A | 8/1995 | Westerburgen | 6,772,700 B2 * | 8/2004 | Wong 108/133 |
| 5,584,254 A | 12/1996 | Williams | D497,500 S | 10/2004 | Farber et al. |
| 5,644,994 A | 7/1997 | Liang et al. | | | |

* cited by examiner

FIG. 1

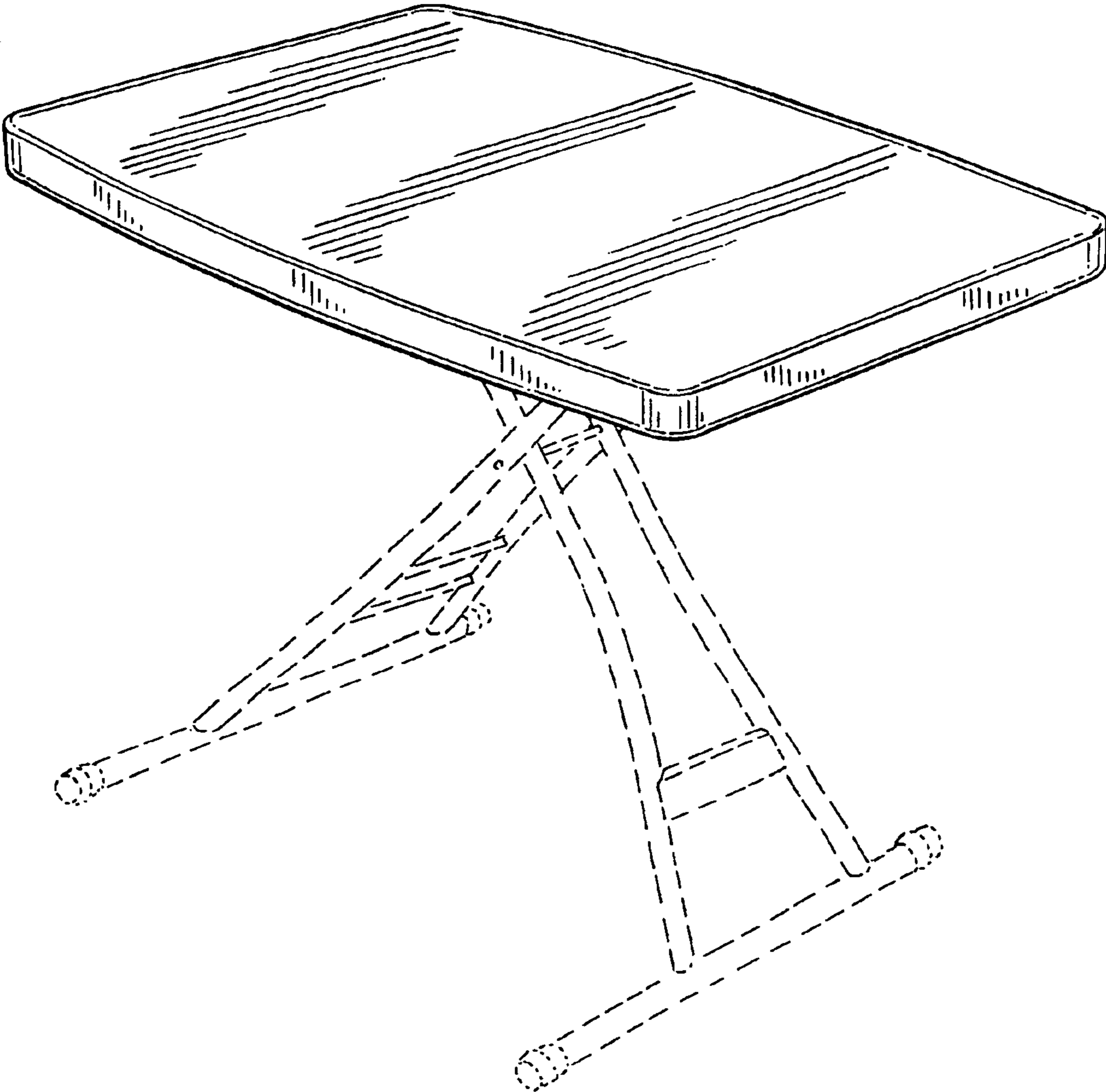


FIG. 2

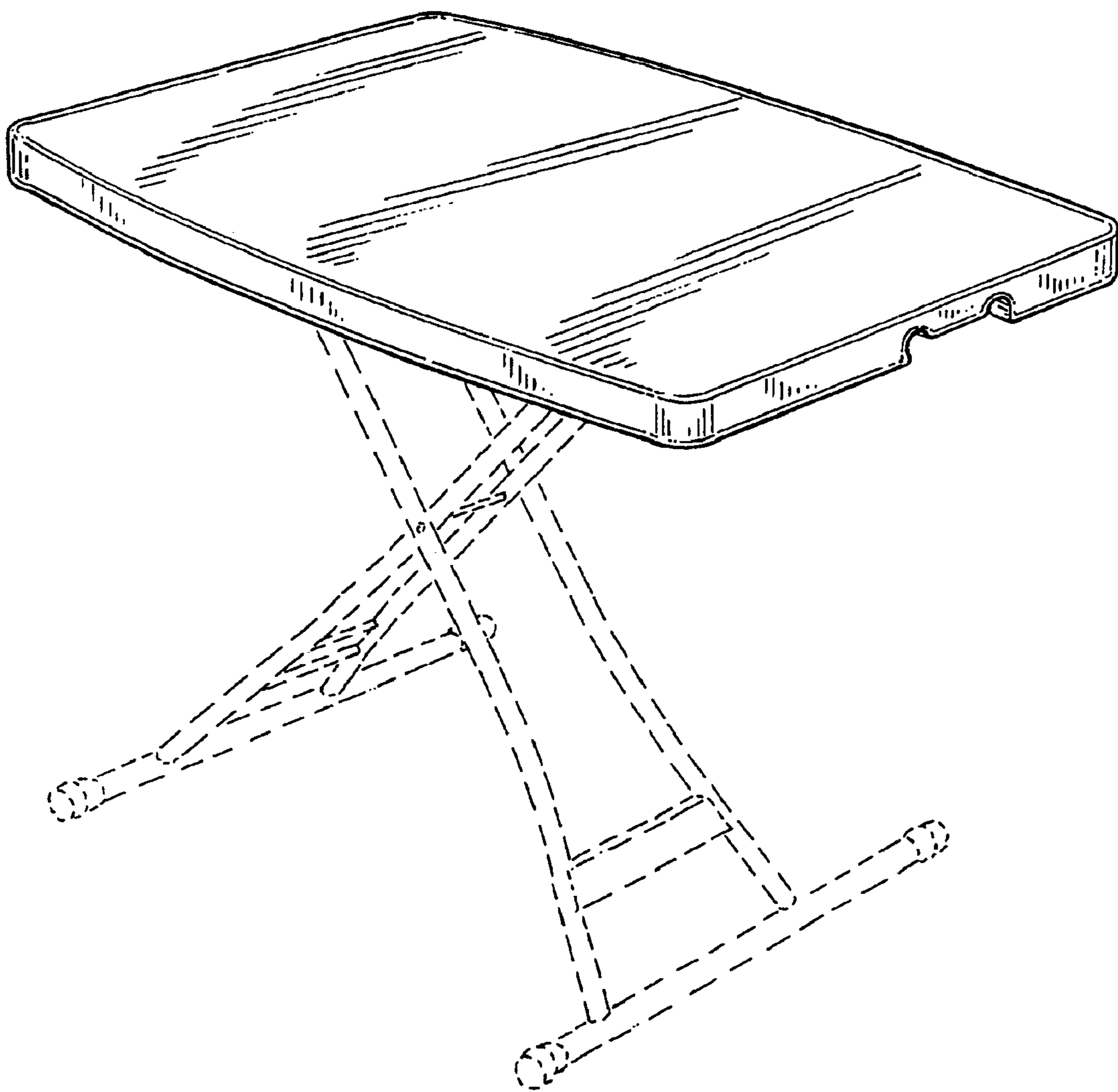


FIG. 3

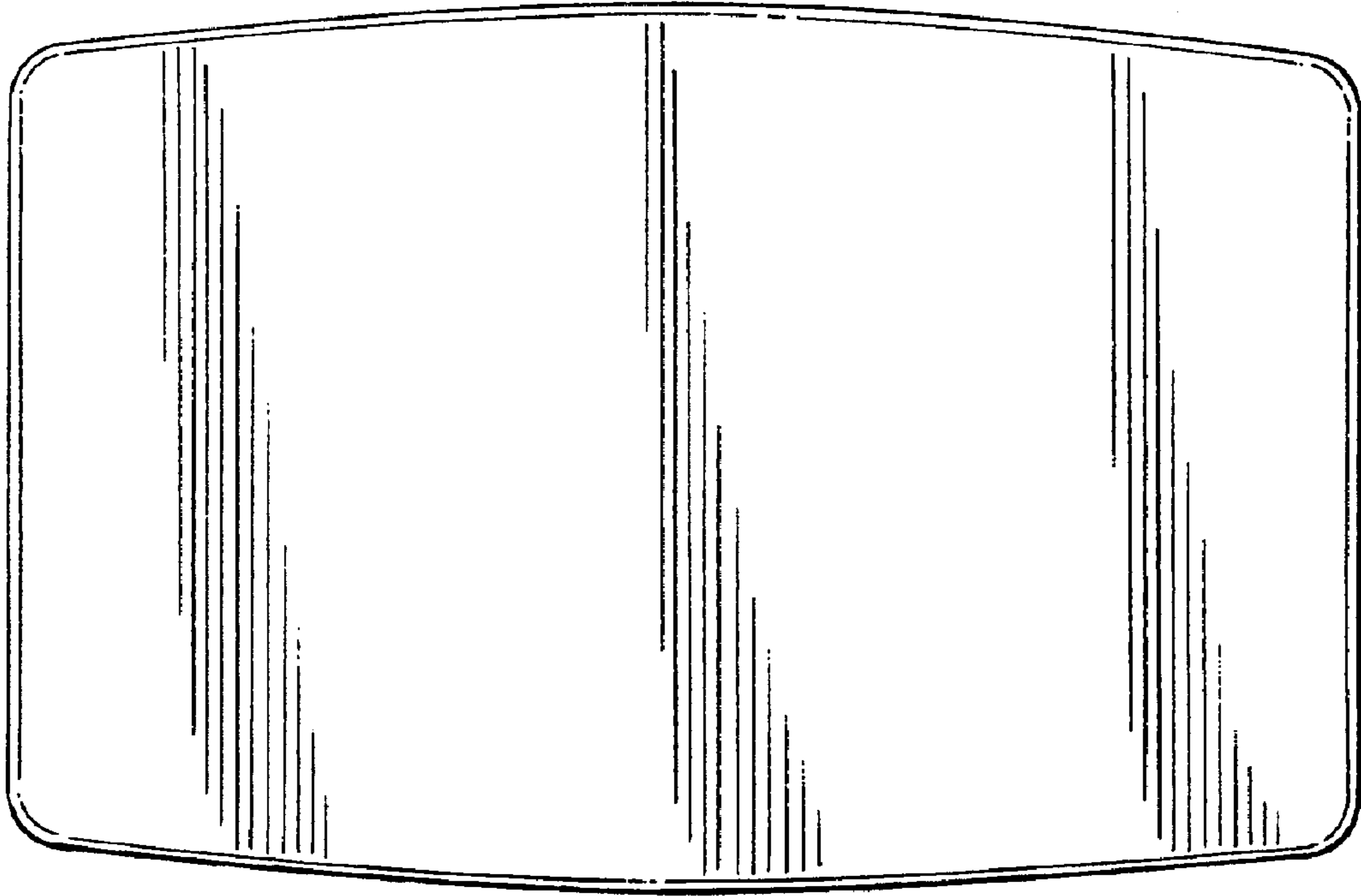


FIG. 4

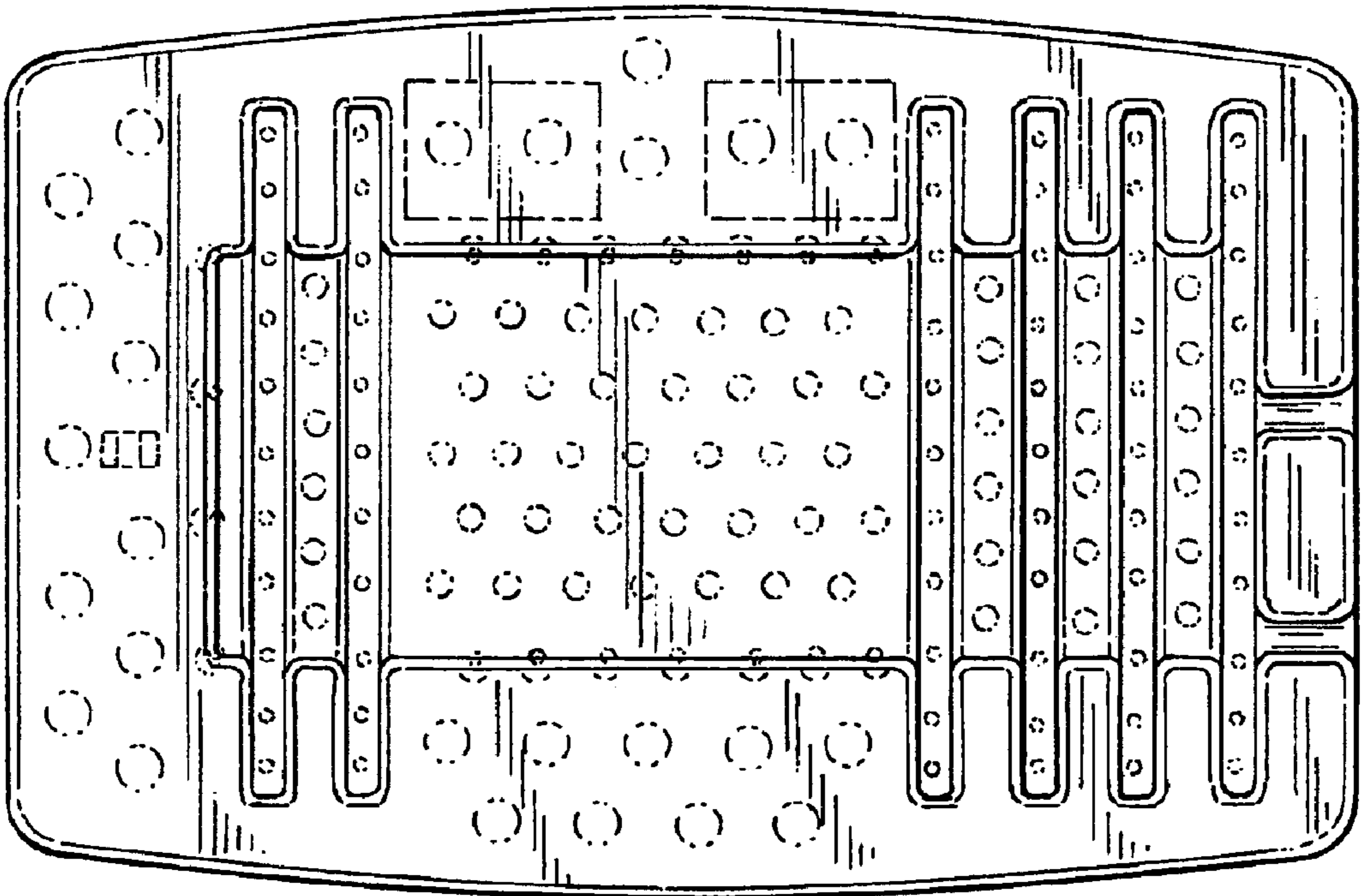


FIG. 5

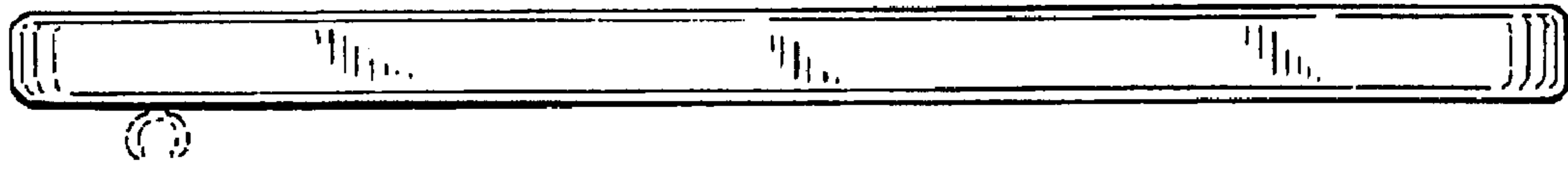


FIG. 6

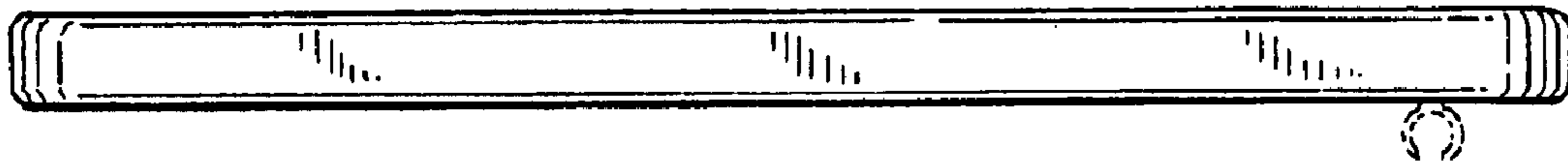


FIG. 7

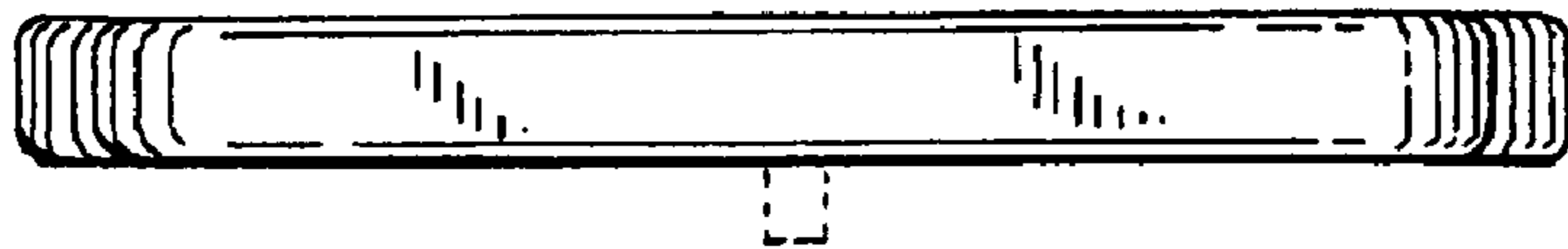


FIG. 8



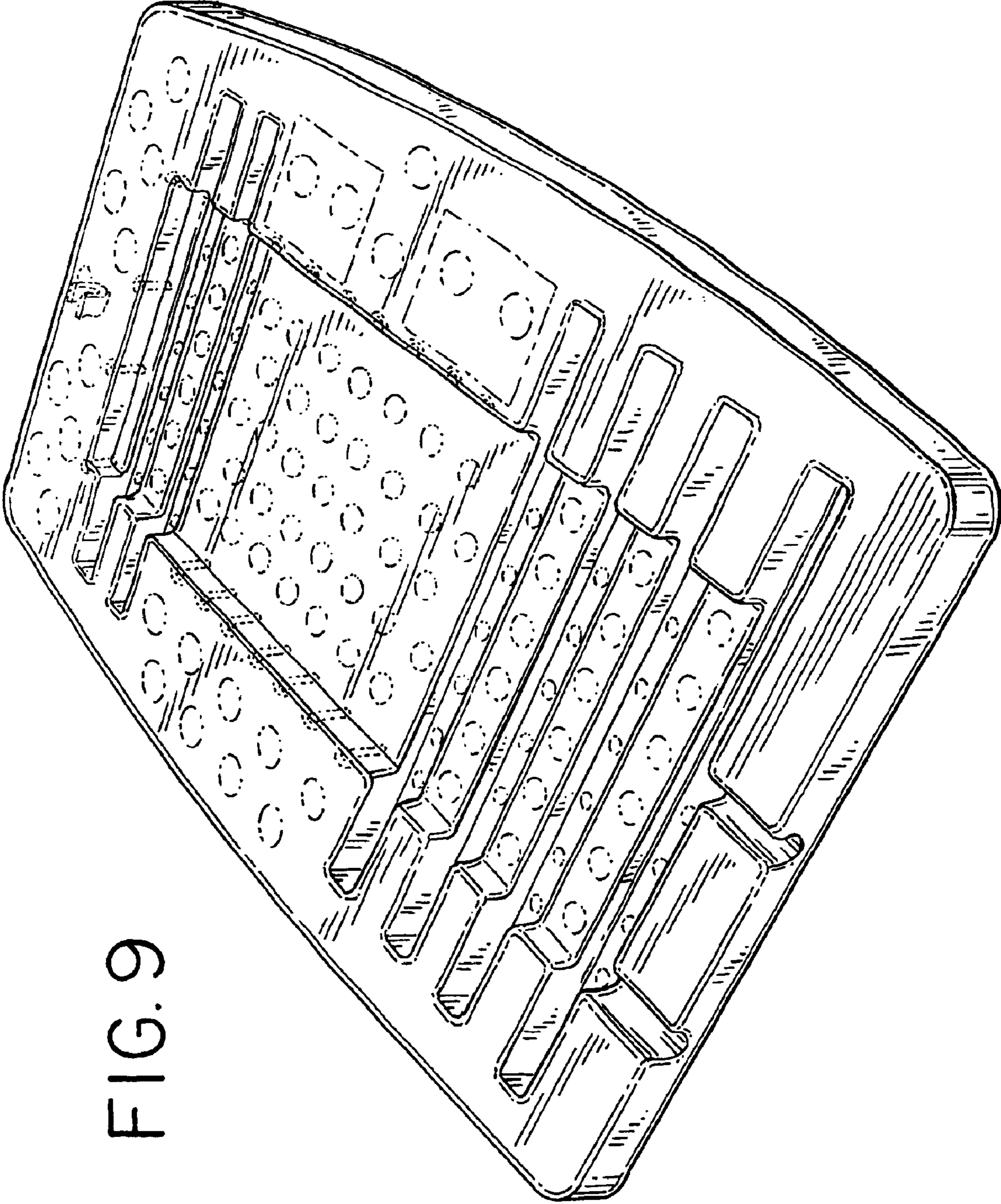


FIG. 9