

US00D503301S

(12) **United States Design Patent**
Burch

(10) **Patent No.:** **US D503,301 S**
(45) **Date of Patent:** **** Mar. 29, 2005**

(54) **REMOVABLE SELF-GRIPPING PLASTIC
AUXILIARY ARMREST FOR A CHAIR**

(76) **Inventor:** **Emily H. Burch**, 6907 Graymoss Ct.,
Richmond, VA (US) 23234

(**) **Term:** **14 Years**

(21) **Appl. No.:** **29/188,893**

(22) **Filed:** **Aug. 27, 2003**

(51) **LOC (7) Cl.** **06-01**

(52) **U.S. Cl.** **D6/501**

(58) **Field of Search** D6/334-336, 361,
D6/371-374, 376, 379-380, 500-502; 297/411.2,
446.1, 447.1, 451.11

(56) **References Cited**

U.S. PATENT DOCUMENTS

| | | | | | | |
|-----------|---|---|---------|---------------|-------|------------|
| 1,463,293 | A | * | 7/1923 | Paddock | | 297/411.25 |
| 1,995,739 | A | * | 3/1935 | Friesner | | 297/411.27 |
| 2,057,551 | A | | 10/1936 | Bishop | | |
| 2,577,561 | A | * | 12/1951 | Atwater | | 296/153 |
| 4,089,497 | A | * | 5/1978 | Miller et al. | | 248/345.1 |
| 4,109,887 | A | * | 8/1978 | Wakeland, Jr. | | 5/678 |
| 4,443,508 | A | * | 4/1984 | Mehl | | 428/122 |
| 4,554,039 | A | * | 11/1985 | James | | 156/213 |
| 4,710,992 | A | | 12/1987 | Falwell | | |
| 4,768,320 | A | * | 9/1988 | Weller | | 52/211 |

| | | | | | | |
|-----------|---|---|---------|--------------|-------|--------|
| 5,039,065 | A | * | 8/1991 | Denton | | 256/1 |
| 5,328,156 | A | * | 7/1994 | Hoke | | 256/32 |
| 5,332,288 | A | | 7/1994 | Coates | | |
| 5,445,433 | A | | 8/1995 | Avihod | | |
| 5,478,137 | A | | 12/1995 | Olson et al. | | |
| 5,642,545 | A | * | 7/1997 | Howard | | 5/663 |
| 5,700,053 | A | | 12/1997 | Downing | | |
| D433,587 | S | * | 11/2000 | Barile | | D6/500 |

* cited by examiner

Primary Examiner—Joel A. Sincavage

Assistant Examiner—Vy Nguyen

(74) *Attorney, Agent, or Firm*—Norman B. Rainer

(57) **CLAIM**

The ornamental design for a removable self-gripping plastic auxiliary armrest for a chair, as shown and described.

DESCRIPTION

FIG. 1 is a perspective top, side and end view of a removable self-gripping plastic auxiliary armrest for a chair, showing my new design;

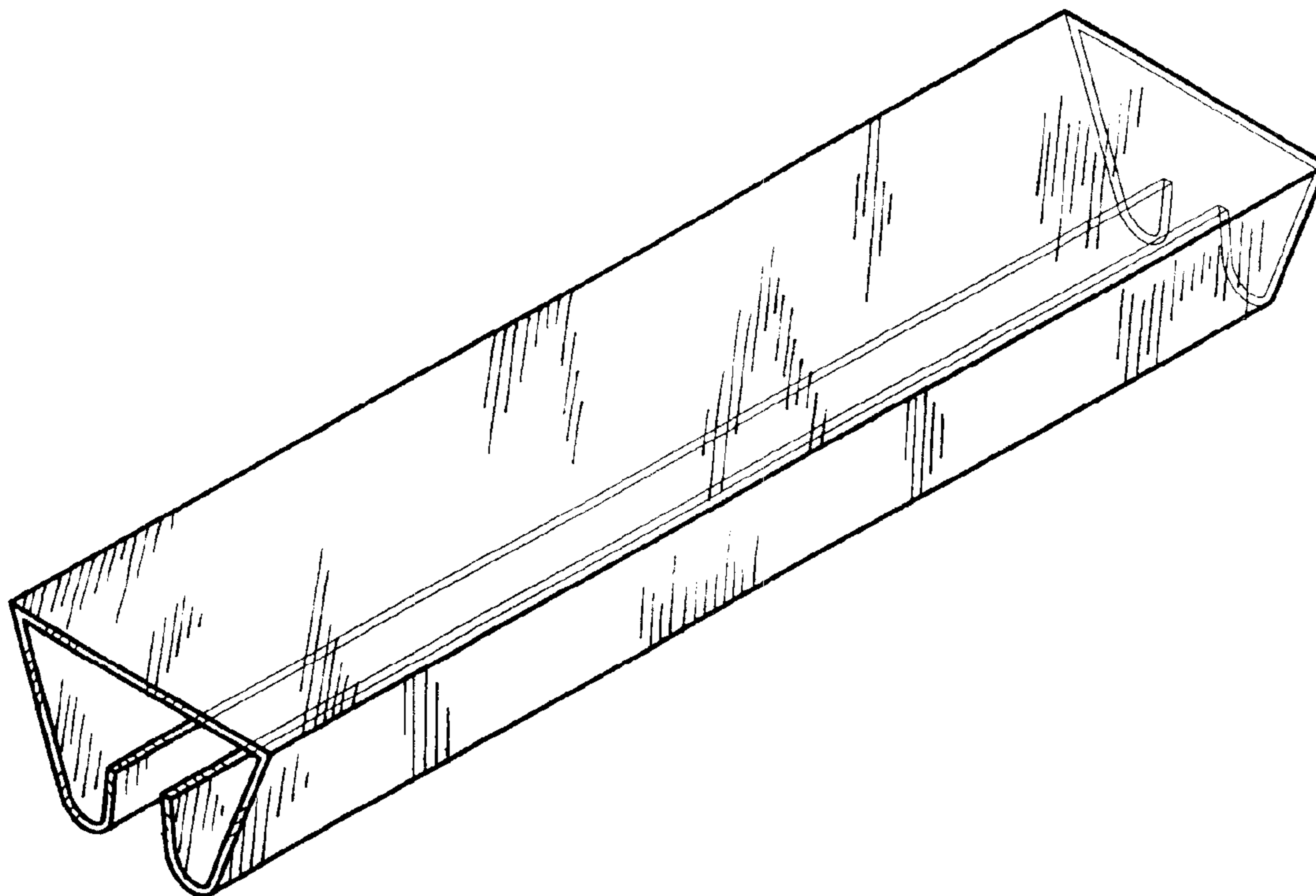
FIG. 1 is an end view thereof, the unshown opposite end being of identical appearance;

FIG. 3 is a bottom view thereof;

FIG. 4 is a top view thereof; and,

FIG. 5 is a side view thereof, the opposite side being of identical appearance.

1 Claim, 2 Drawing Sheets



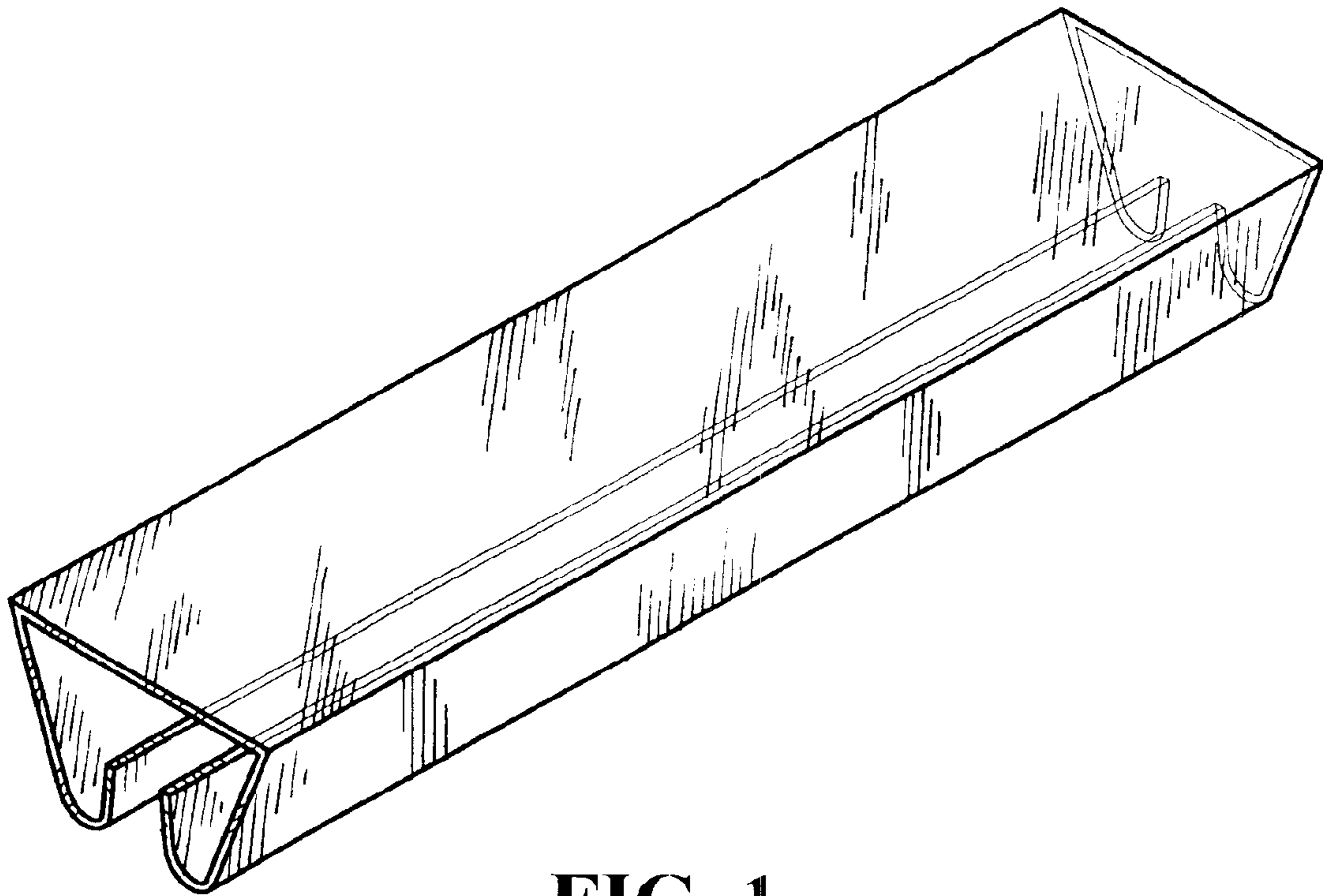


FIG. 1

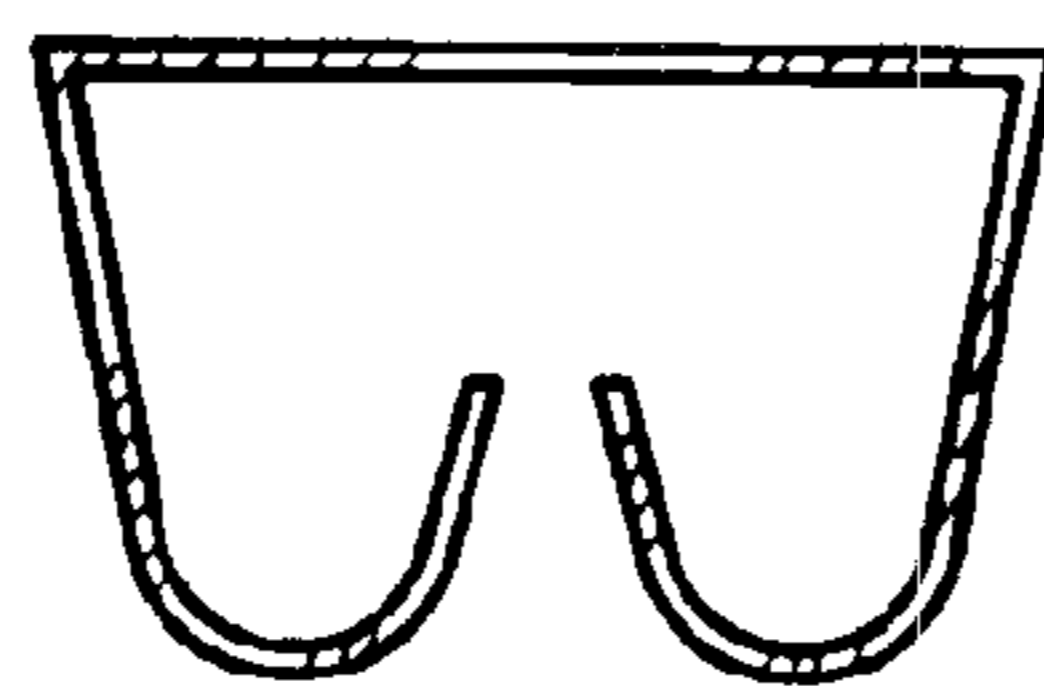


FIG. 2

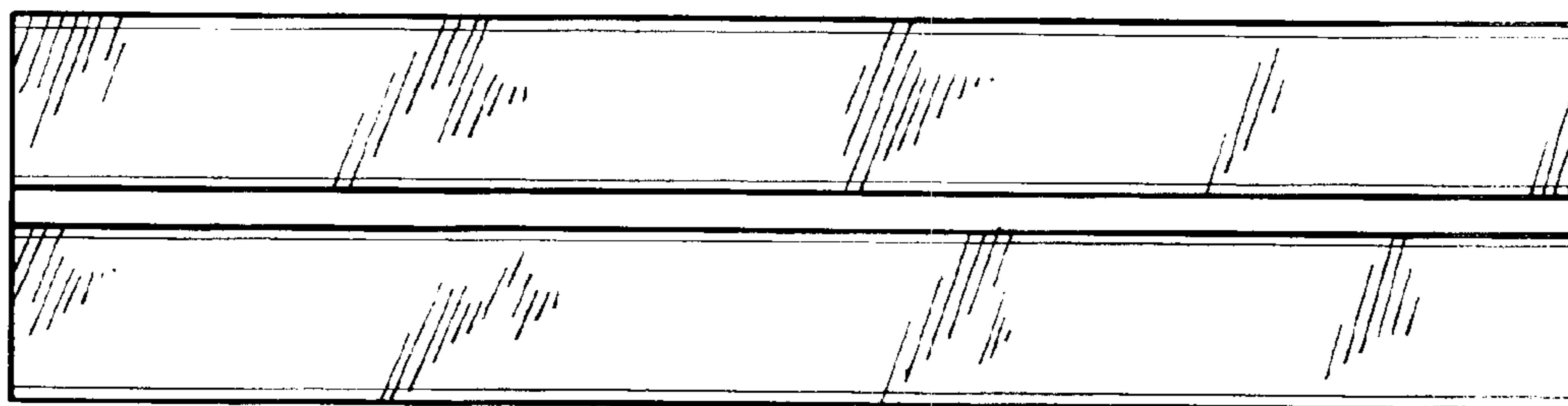


FIG. 3

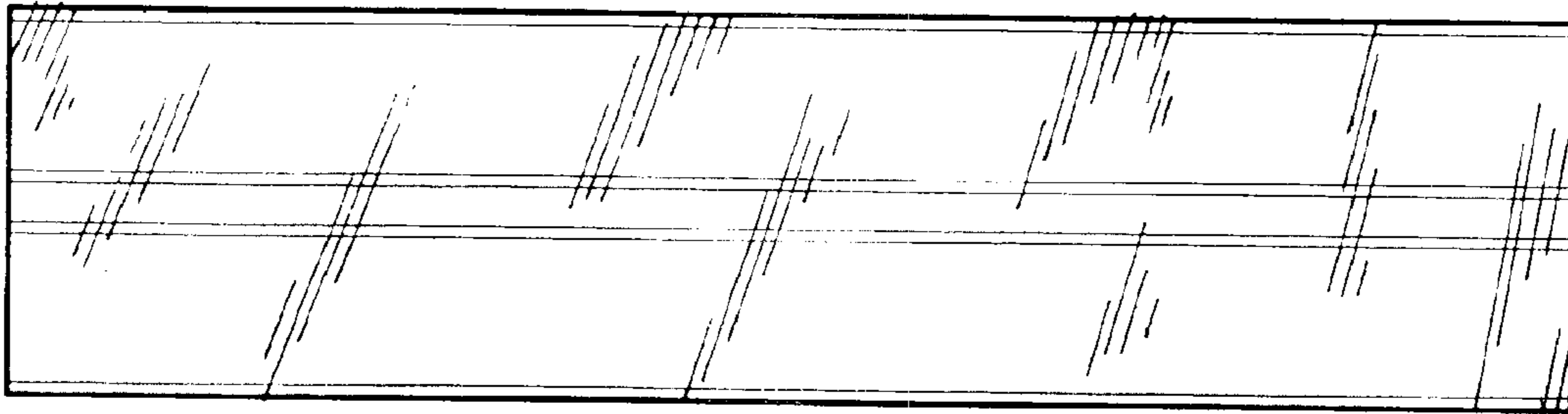


FIG. 4

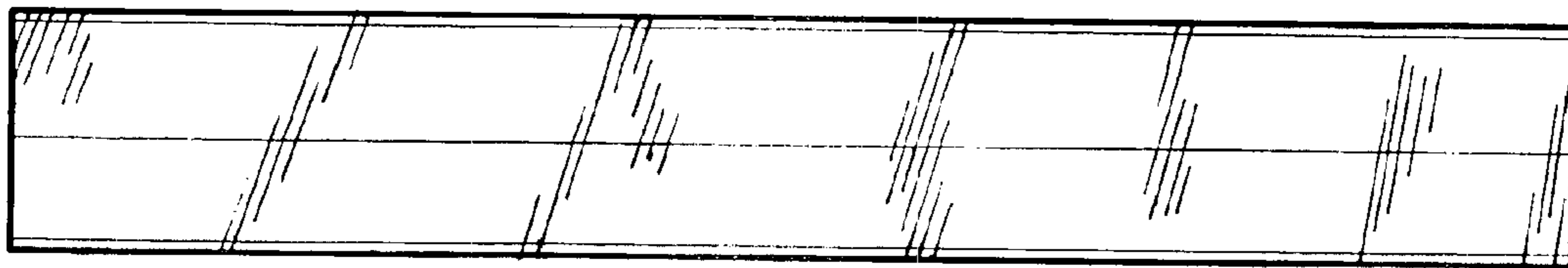


FIG. 5