

US00D503299S

(12) **United States Design Patent**  
**Bergman**

(10) **Patent No.:** **US D503,299 S**

(45) **Date of Patent:** **\*\* Mar. 29, 2005**

(54) **TABLE**

(76) **Inventor:** **Andrew Bergman**, 61 Tower Hill Rd.,  
Mountain Lakes, NJ (US) 07046

(\*\*) **Term:** **14 Years**

(21) **Appl. No.:** **29/200,546**

(22) **Filed:** **Mar. 1, 2004**

(51) **LOC (7) Cl.** ..... **06-06**

(52) **U.S. Cl.** ..... **D6/480; D6/451**

(58) **Field of Search** ..... D6/480-489, 495-499,  
D6/450, 451, 429-431, 511; 108/150, 153.1,  
156, 157.1, 161; 248/188, 188.1, 188.8

(56) **References Cited**

**U.S. PATENT DOCUMENTS**

D26,448 S \* 12/1896 MacKenzie ..... D6/451  
D98,890 S \* 3/1936 Pumphrey ..... D6/430

D141,596 S \* 6/1945 Thompson ..... D6/430  
D436,470 S \* 1/2001 Paul ..... D6/480  
D486,013 S \* 2/2004 Cesaroni et al. .... D6/480

\* cited by examiner

*Primary Examiner*—Janice E. Seeger

(57) **CLAIM**

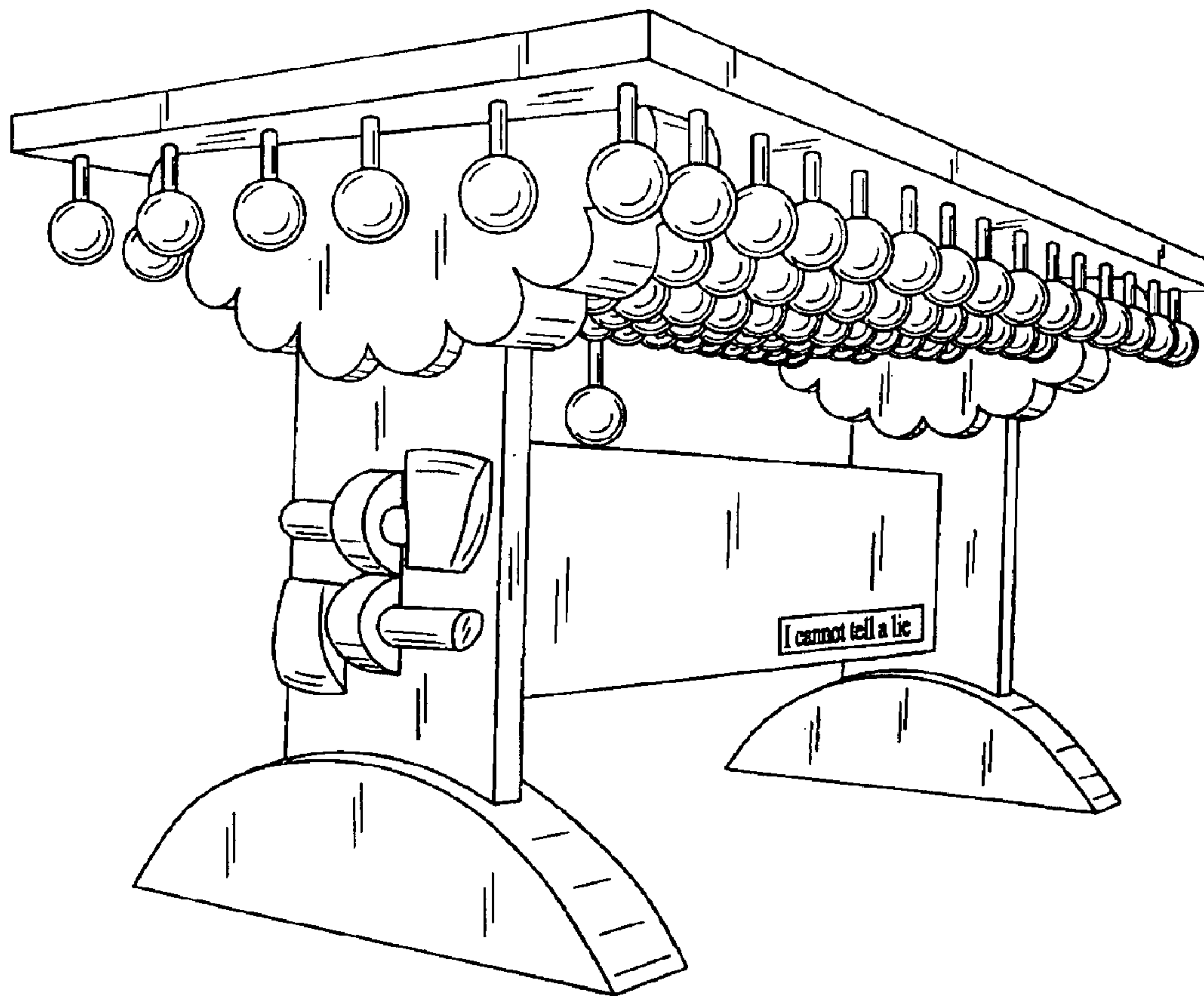
The ornamental design for a table, as shown and described.

**DESCRIPTION**

My table design is characterized by wooden hatchets, hanging wooden cherries and the written expression "I cannot tell a lie."

FIG. 1 is a perspective view of my new table design  
FIG. 2. is a right side view of my new table design  
FIG. 3. is a top view of my new table design; and,  
FIG. 4 is a left end view of my new table design.

**1 Claim, 3 Drawing Sheets**



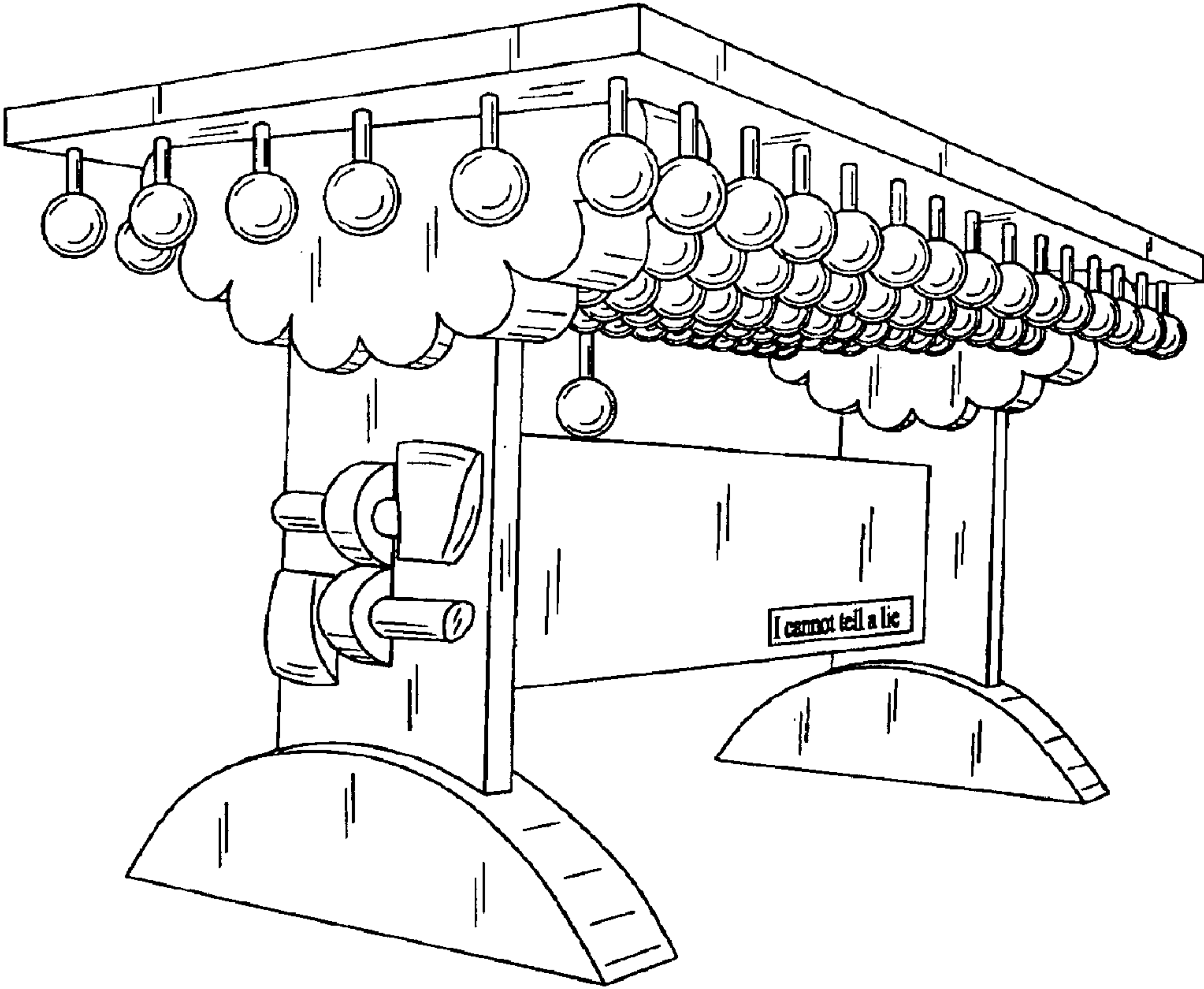


Fig. 1

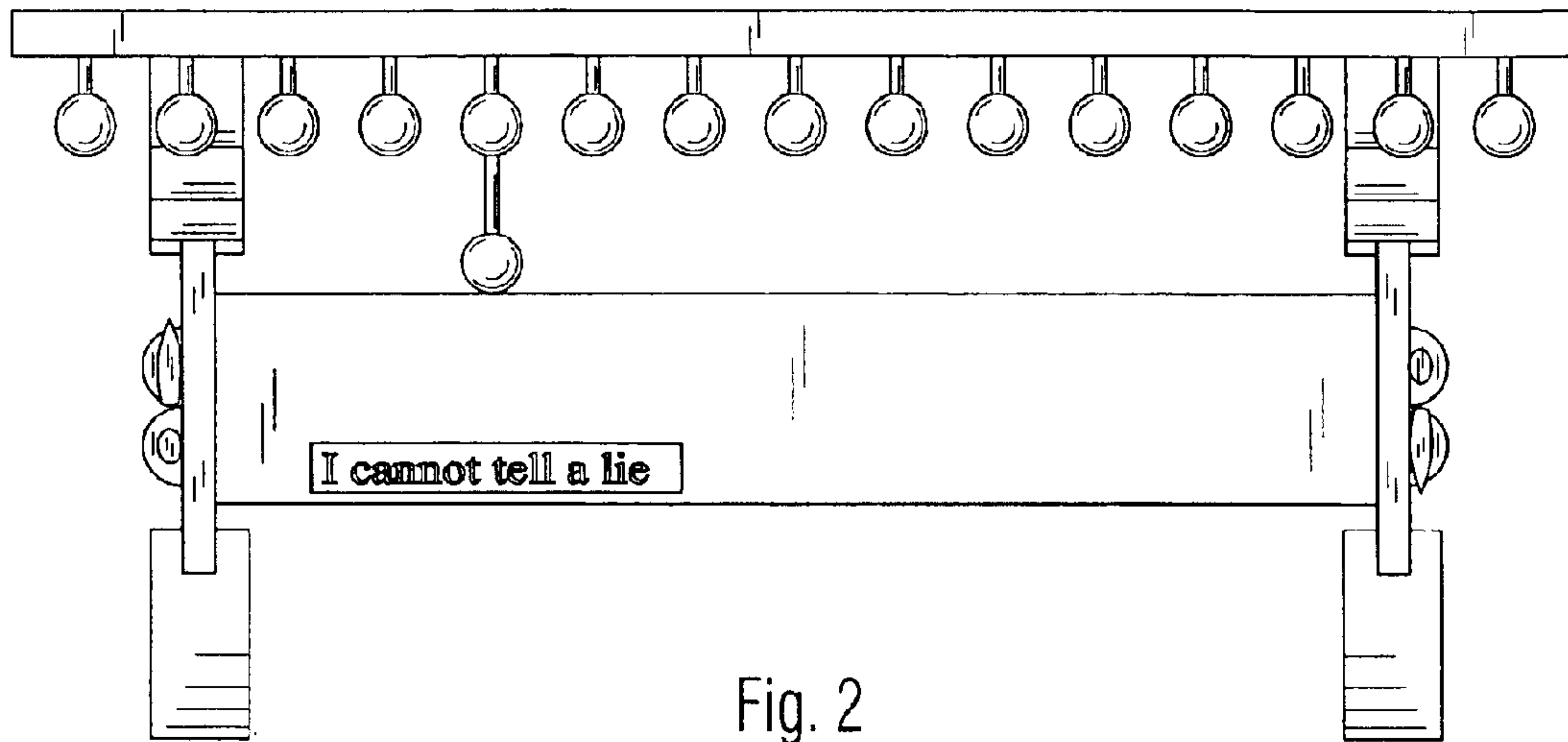


Fig. 2

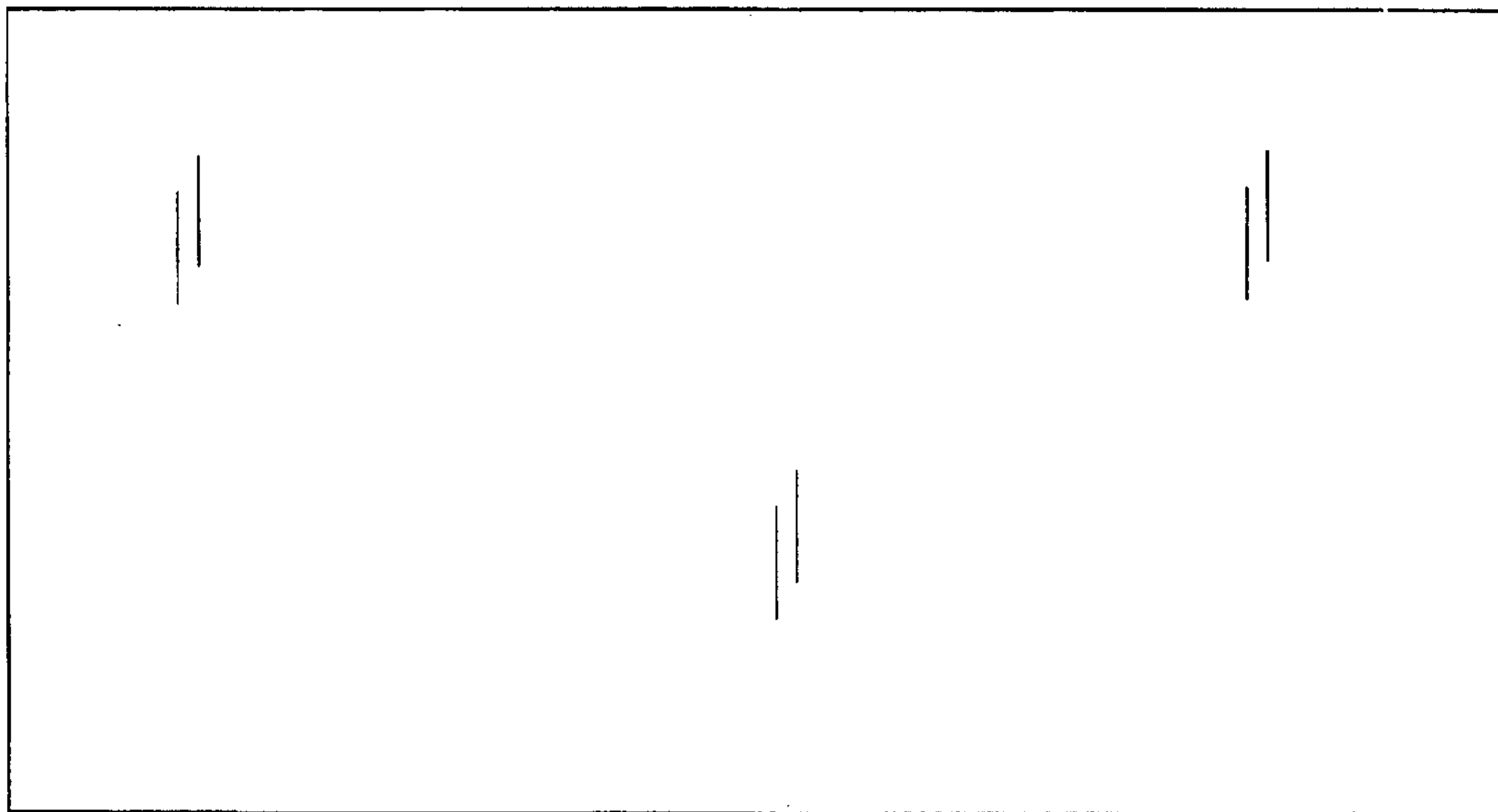


Fig. 3

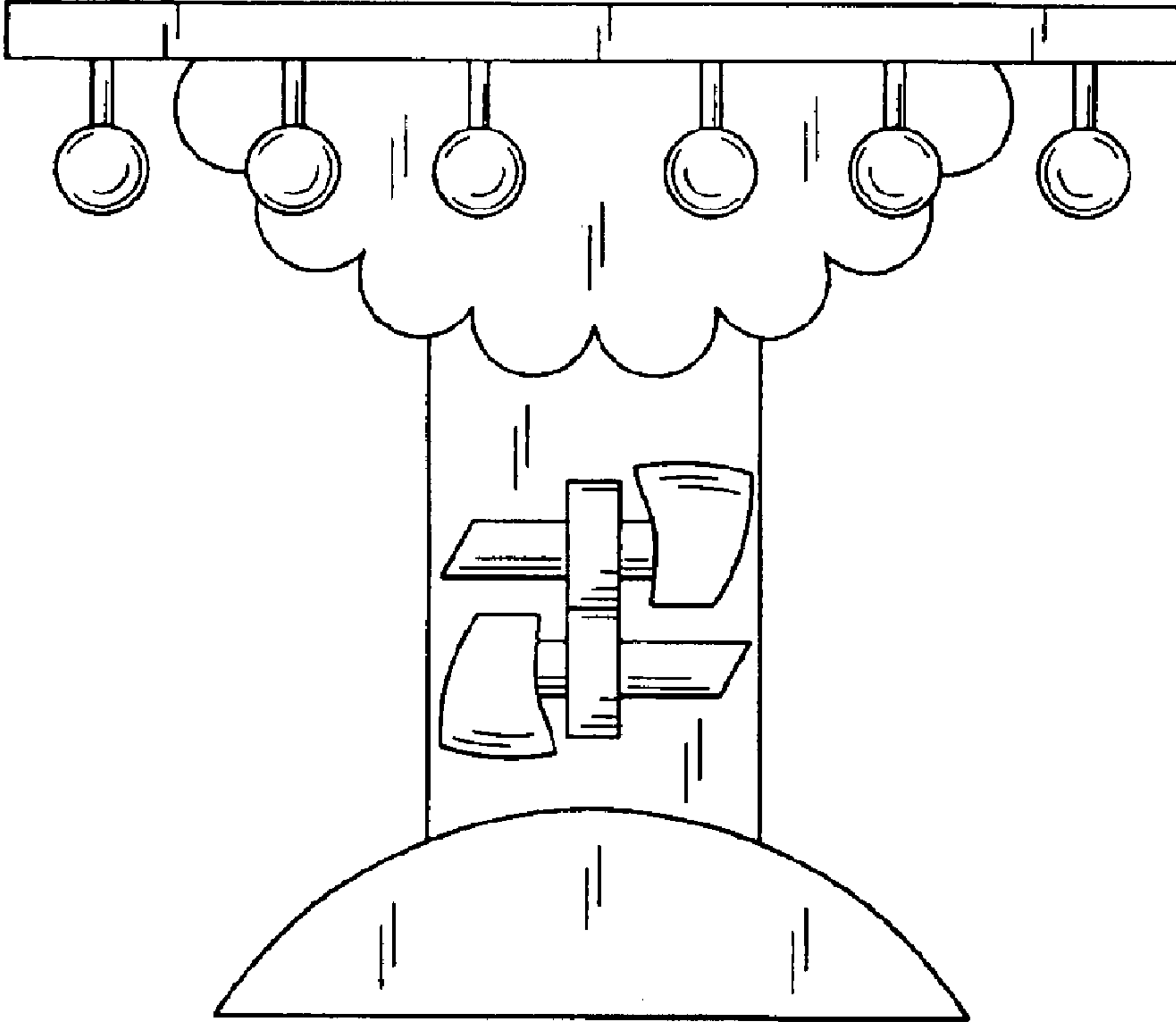


Fig. 4