



US00D503296S

(12) **United States Design Patent**
Mason

(10) **Patent No.:** **US D503,296 S**
(45) **Date of Patent:** **** Mar. 29, 2005**

(54) **COMBINATION DRY ERASE AND CHALKBOARD DESK**

(75) Inventor: **Yeung Kai Wah Mason**, Kowloon (HK)

(73) Assignee: **First Learning Company Limited**, Hong Kong (CN)

(**) Term: **14 Years**

(21) Appl. No.: **29/196,862**

(22) Filed: **Jan. 2, 2004**

(51) **LOC (7) Cl.** **06-03**

(52) **U.S. Cl.** **D6/397; D6/480; D6/420**

(58) **Field of Search** D6/480, 484, 486, D6/487, 420, 429-431, 511, 470, 448, 397; 108/11-15; 248/188, 188.1, 188.8

(56) **References Cited**

U.S. PATENT DOCUMENTS

D292,353 S	*	10/1987	Chien	D6/430
D330,573 S	*	10/1992	Monneret	D21/522
5,244,271 A	*	9/1993	Hackwood et al.	312/313
D377,378 S	*	1/1997	Monneret	D6/430
D437,504 S	*	2/2001	Giron	D6/397

* cited by examiner

Primary Examiner—Janice Seeger
Assistant Examiner—Sydney Buffalow
(74) *Attorney, Agent, or Firm*—Meredith & Keyhoni, PLLC; Jennifer Meredith, Esq.

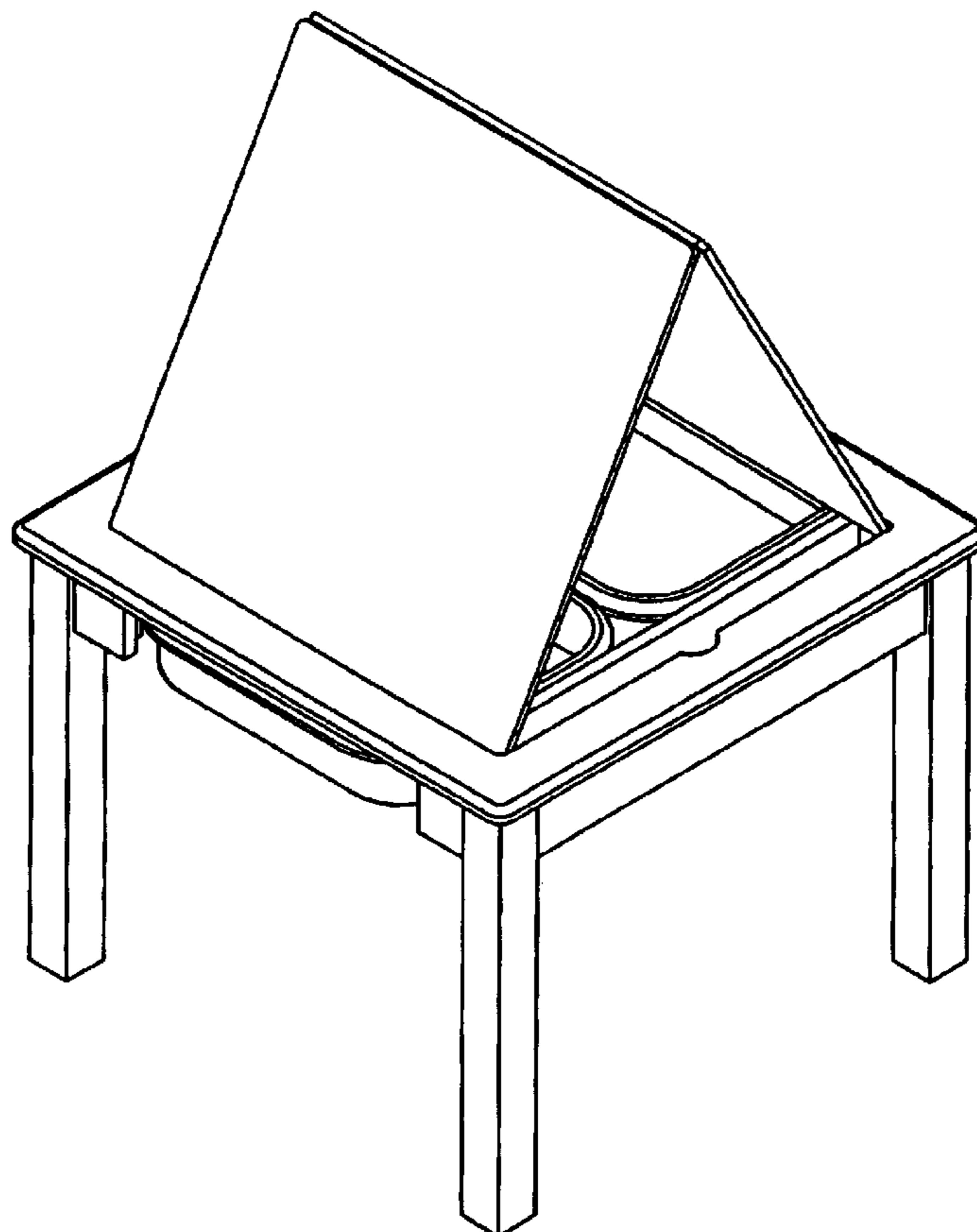
(57) **CLAIM**

The ornamental design for the combination dry erase and chalkboard desk, as shown and described.

DESCRIPTION

FIG. 1 is a top view;
FIG. 2 is a bottom view;
FIG. 3 is a side view;
FIG. 4 is a front view;
FIG. 5 is a perspective view;
FIG. 6 is a perspective view with the top removed for convenience of illustration;
FIG. 7 is a perspective view depicting the combination dry erase and chalkboard in an upright position;
FIG. 8 depicts a bottom perspective view of the desk with the drawers contained;
FIG. 9 depicts a perspective bottom view of the desk with the drawers removed; and,
FIG. 10 is an exploded perspective view.

1 Claim, 8 Drawing Sheets



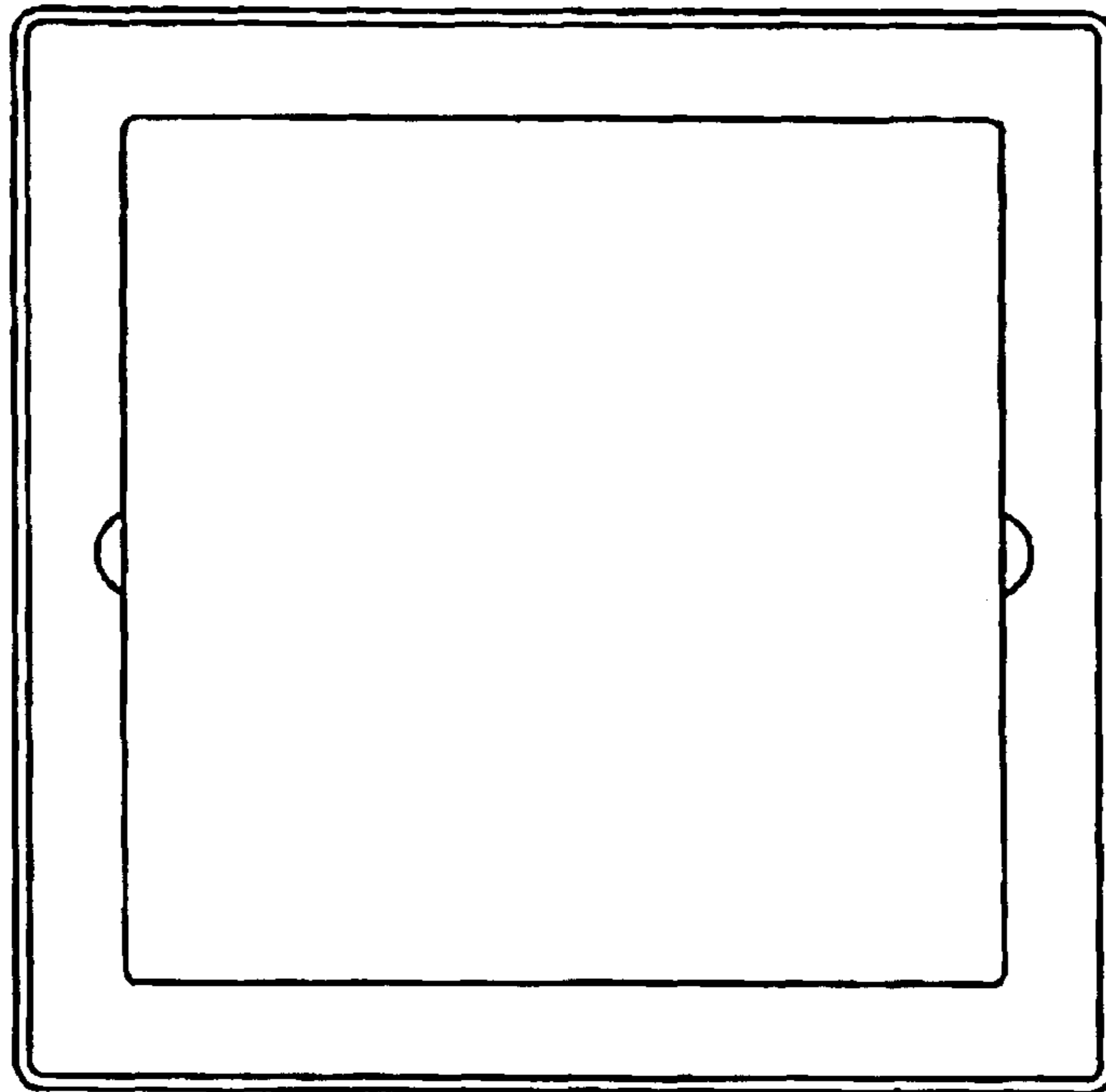


FIG. 1

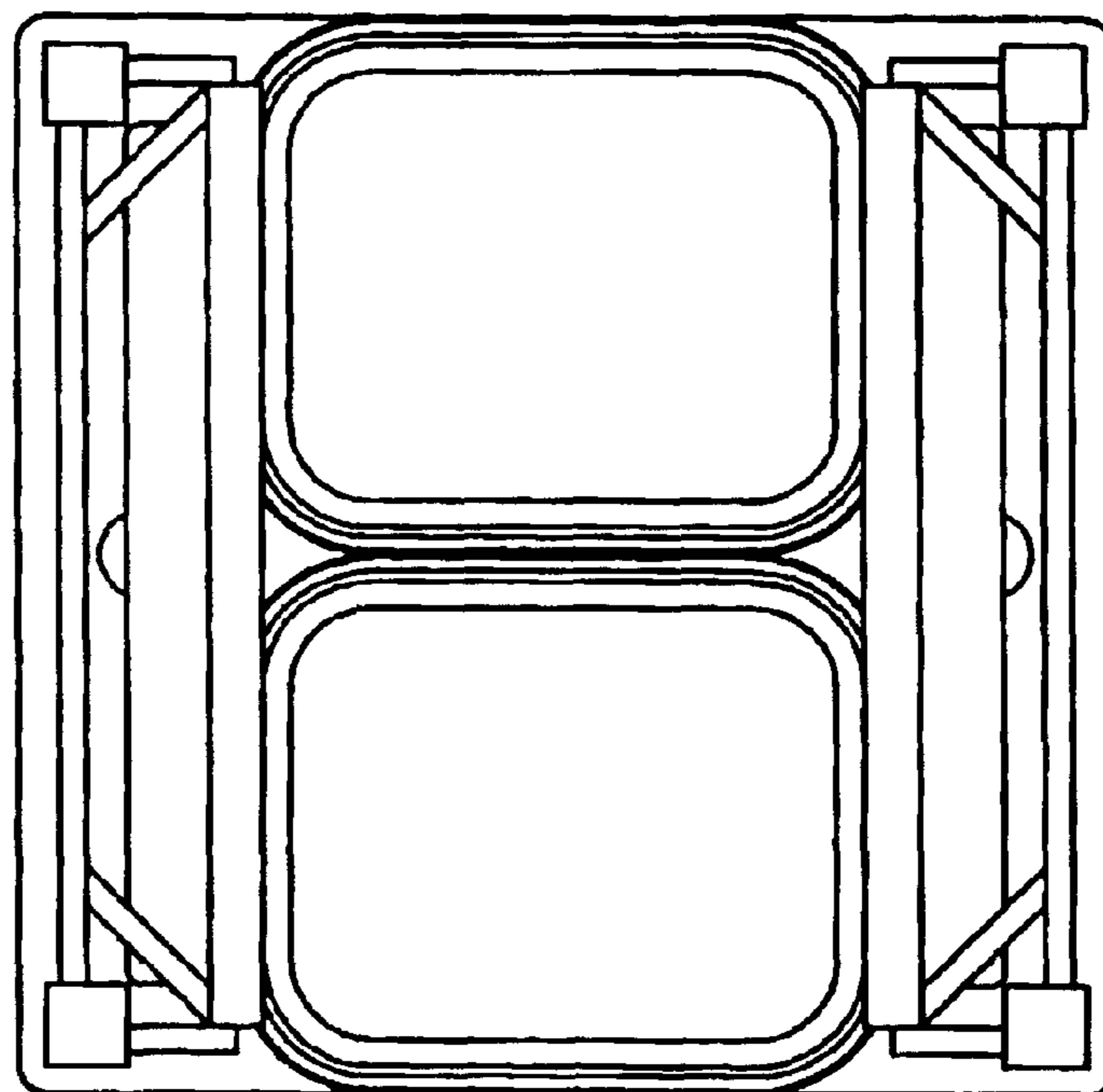


FIG. 2

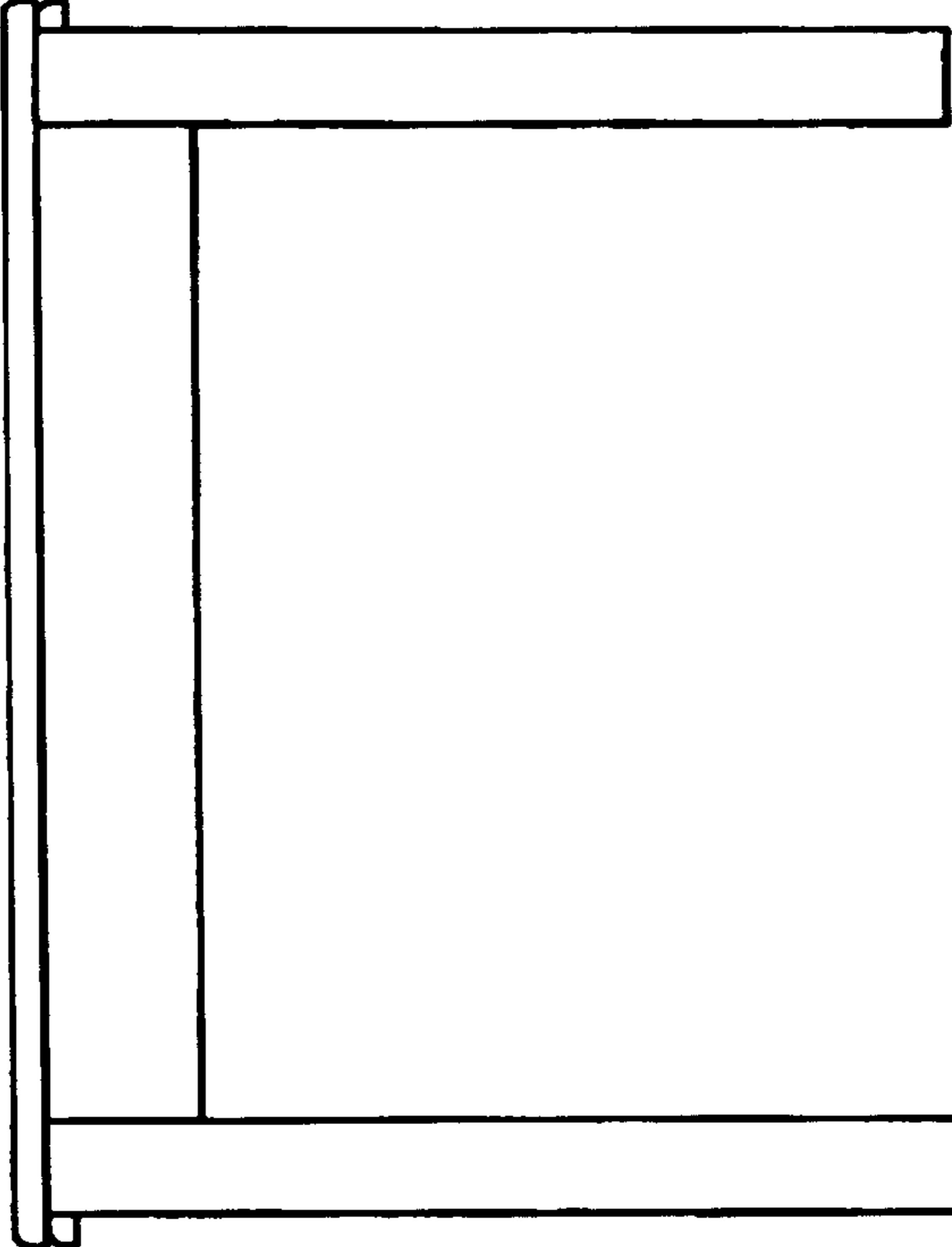


FIG. 4

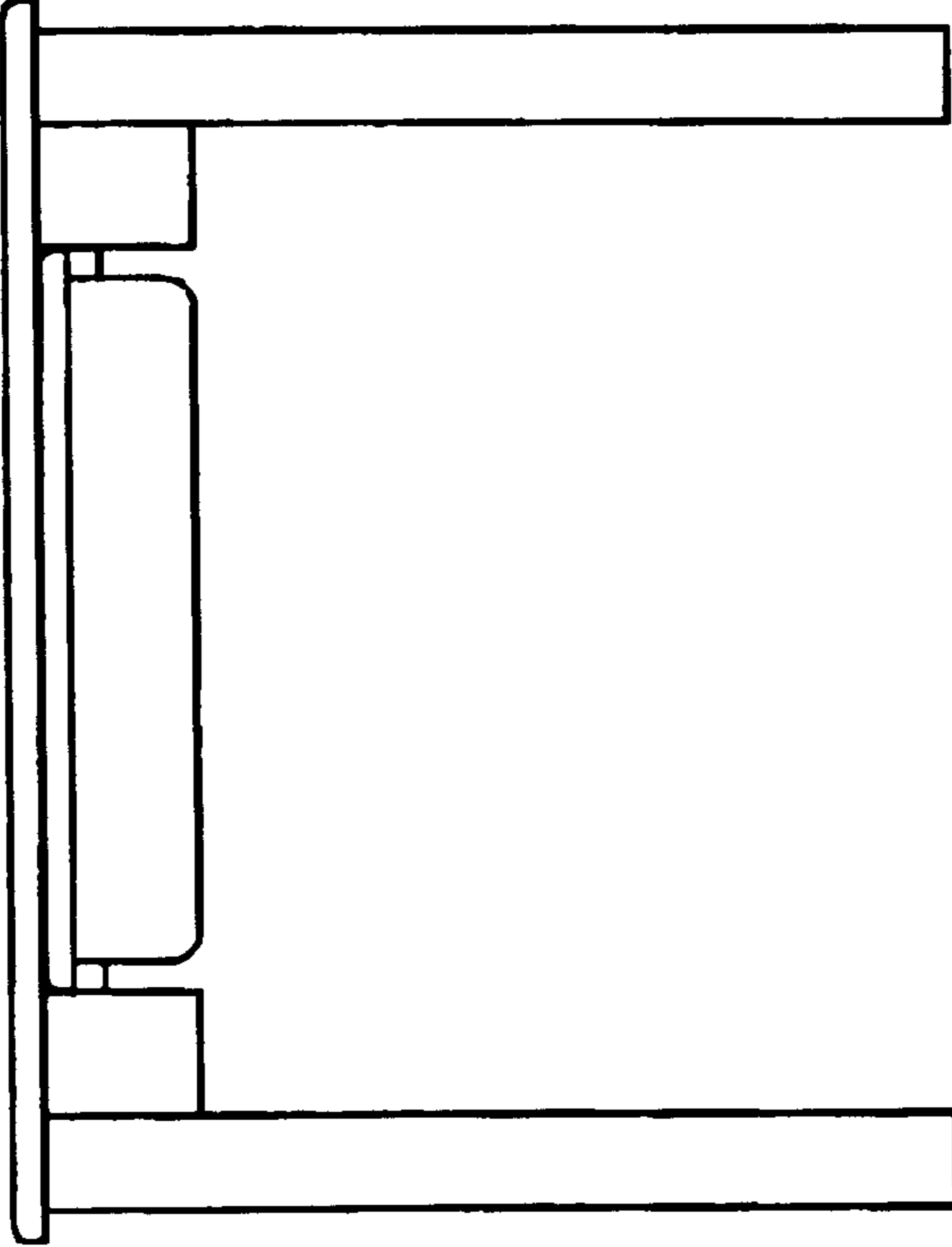


FIG. 3

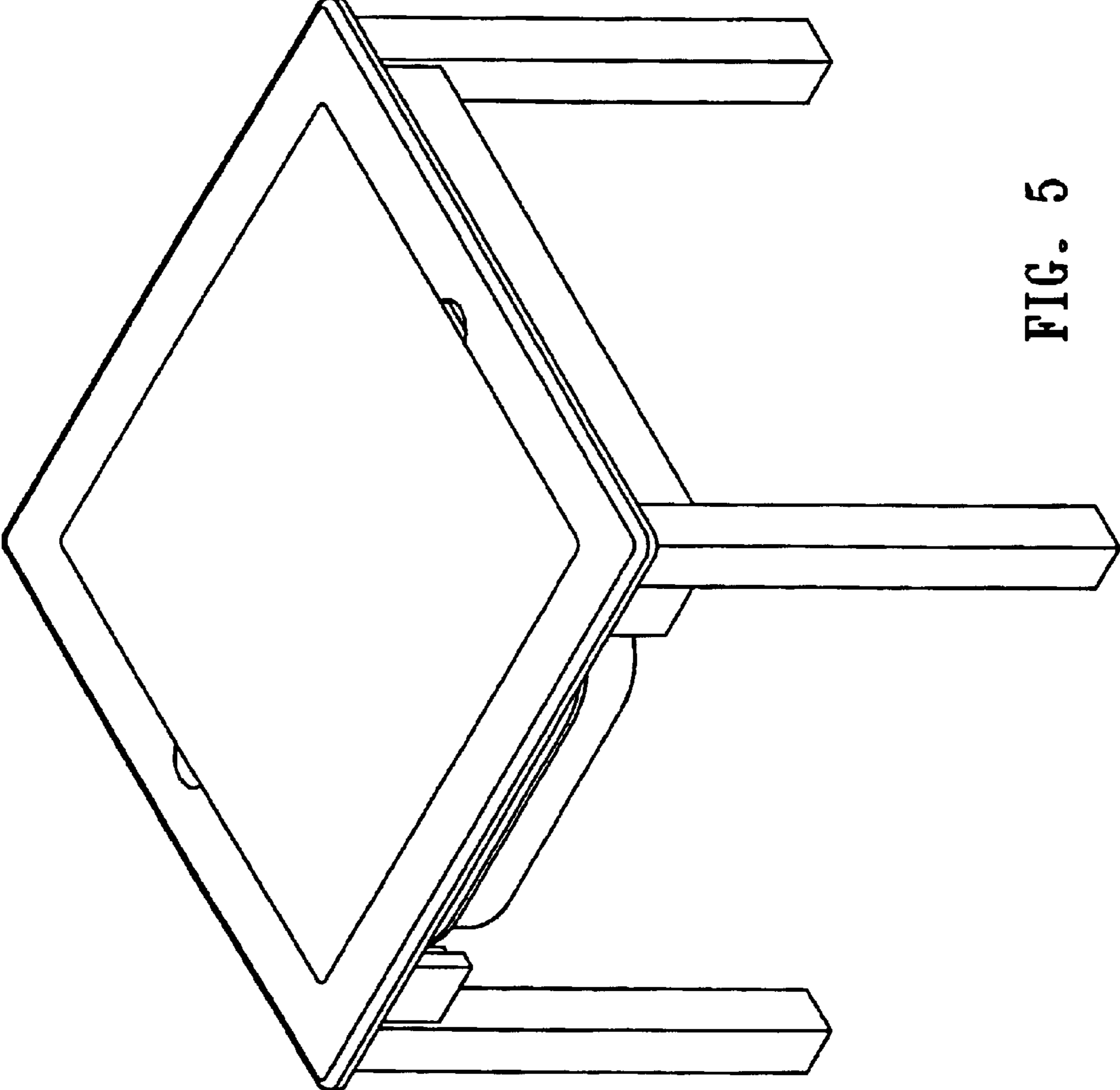


FIG. 5

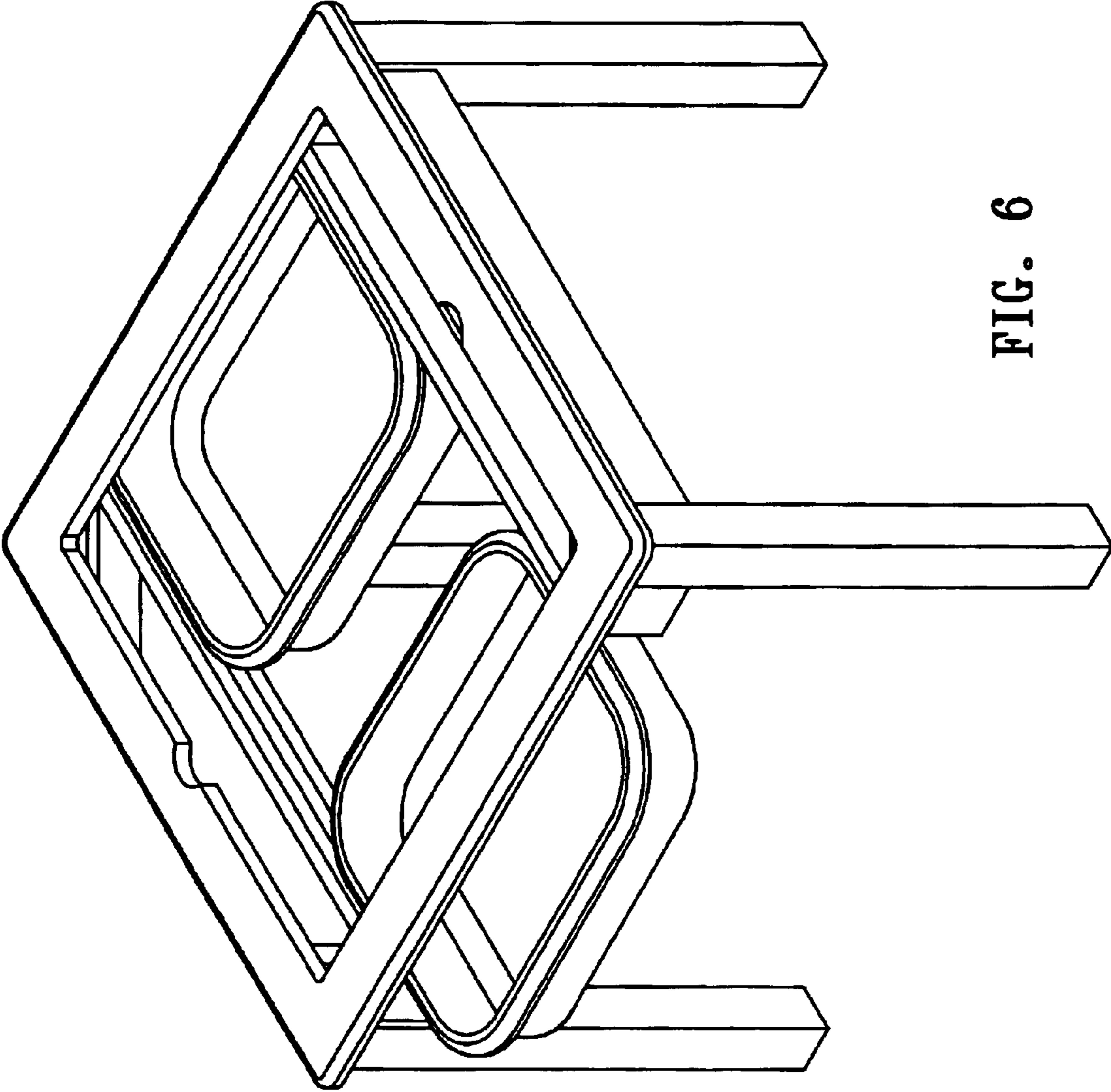


FIG. 6

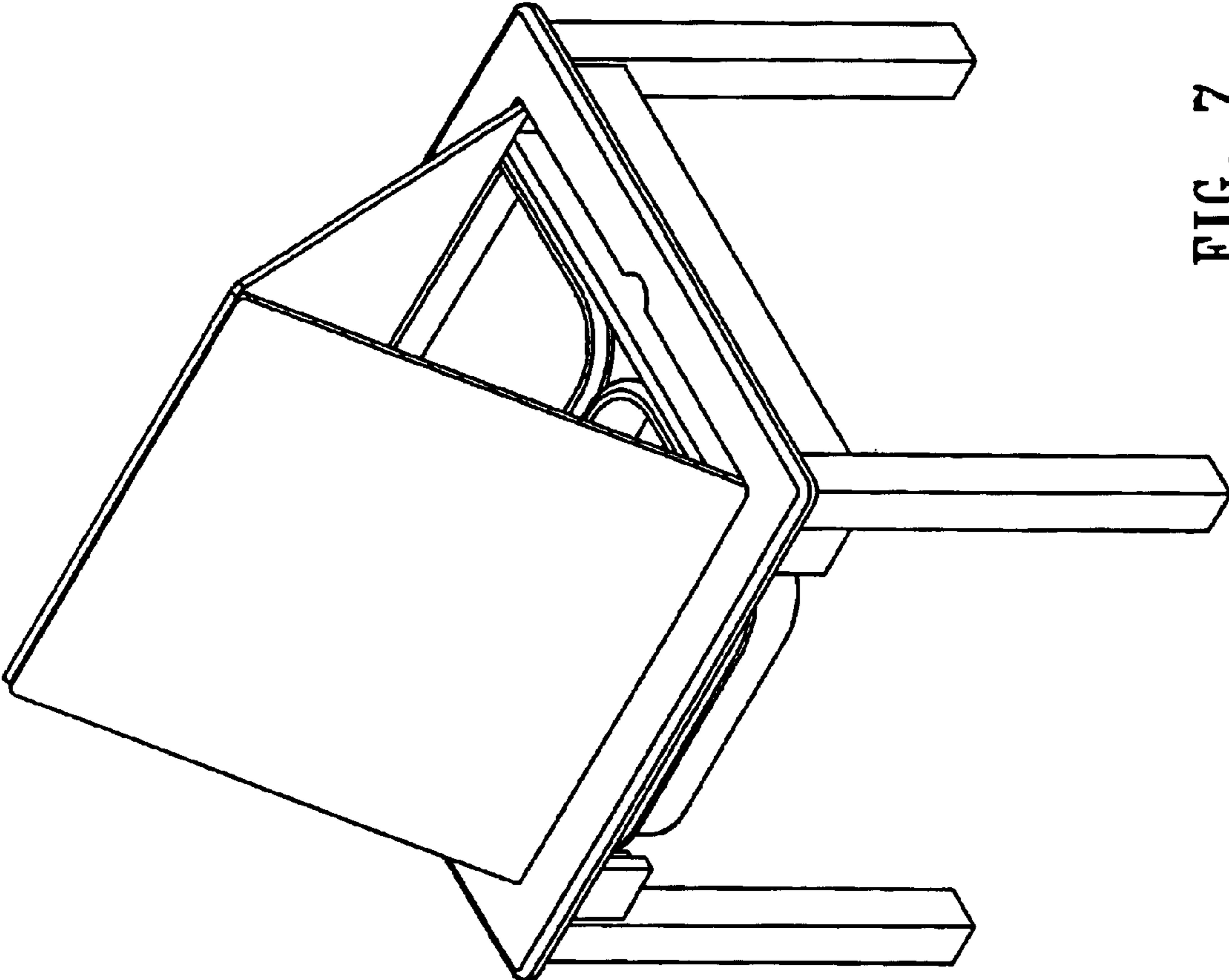


FIG. 7

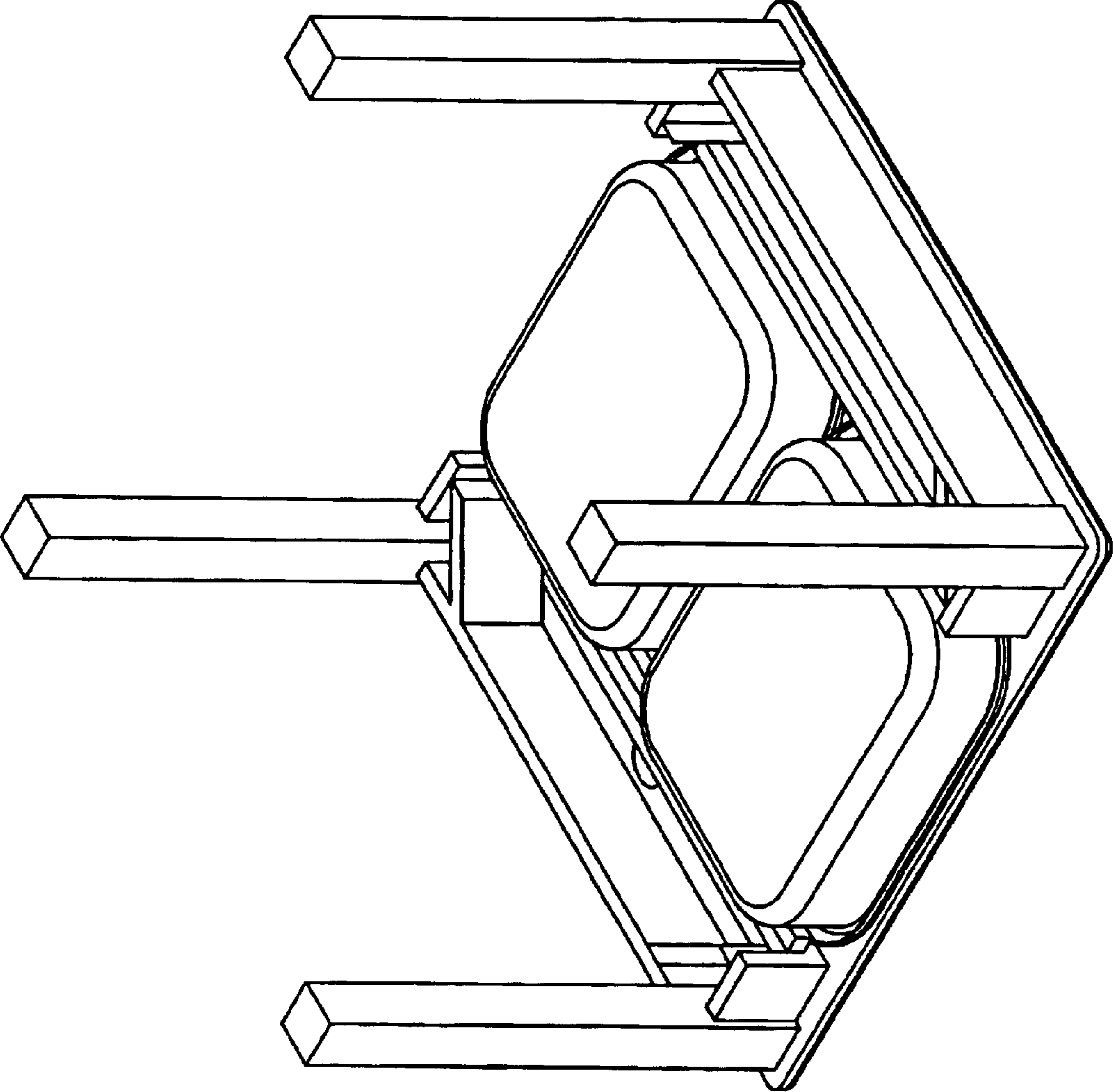


FIG. 8

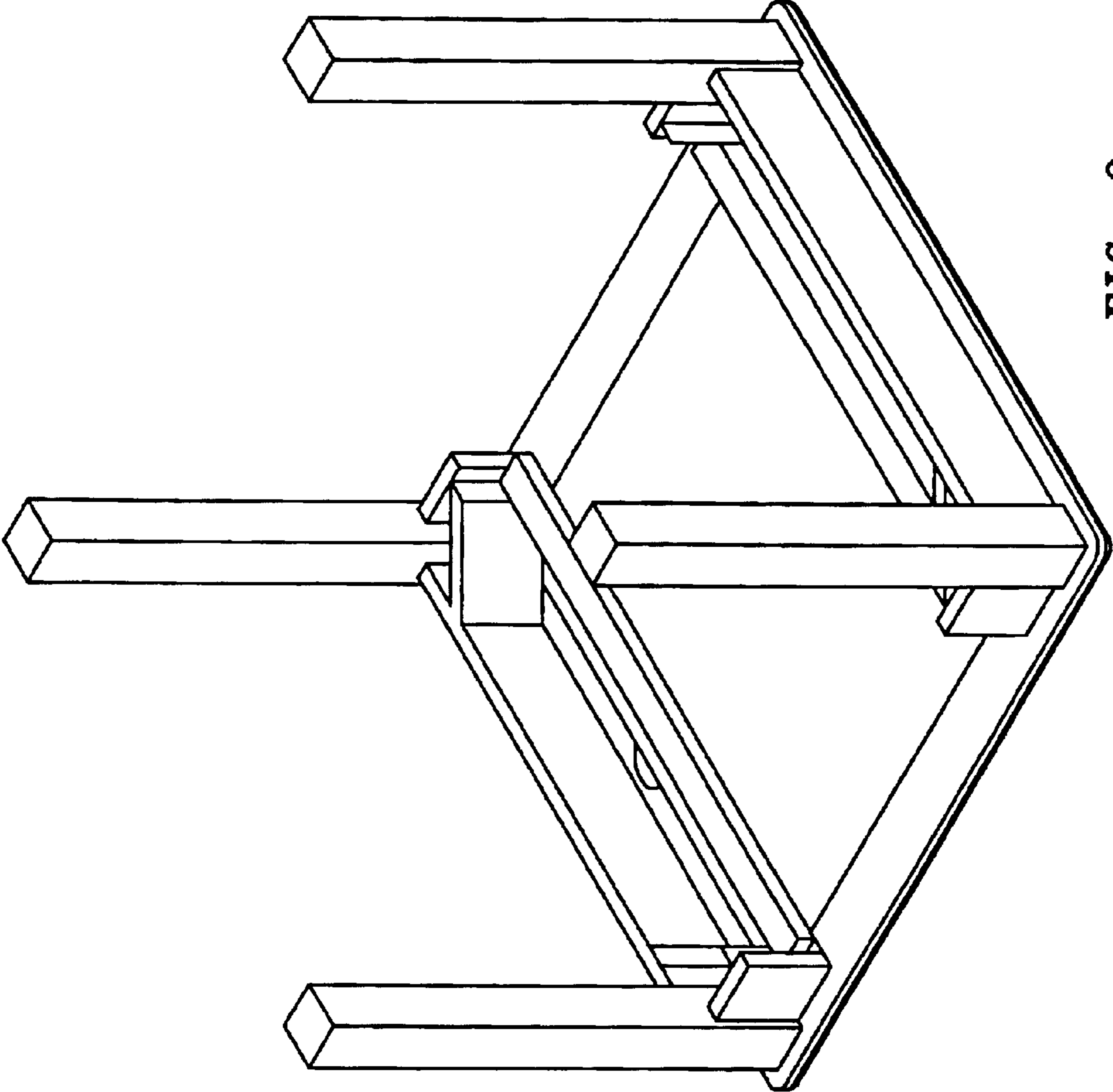


FIG. 9

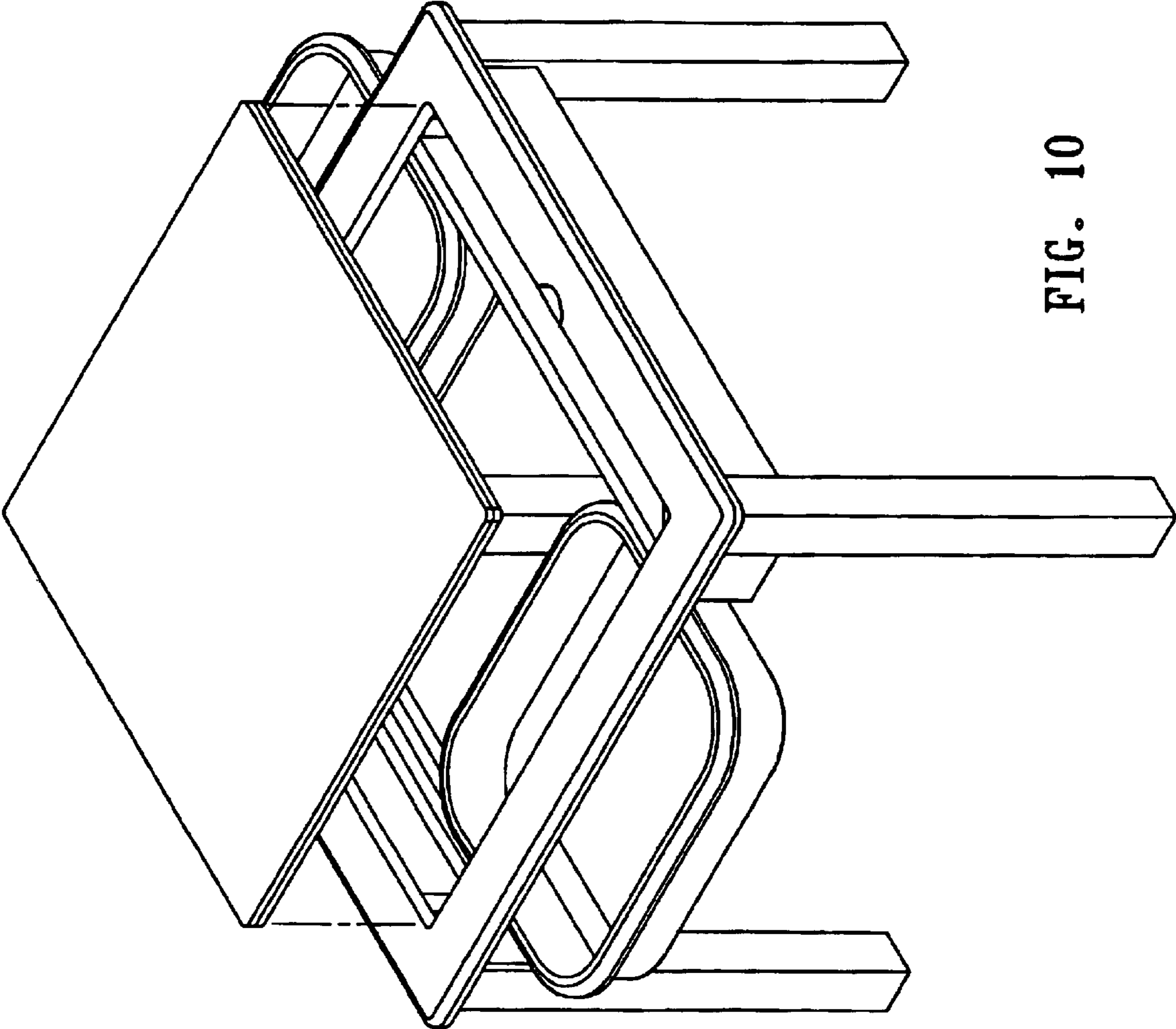


FIG. 10