

US00D503295S

(12) **United States Design Patent**
O'Hare

(10) **Patent No.:** **US D503,295 S**

(45) **Date of Patent:** **** Mar. 29, 2005**

(54) **BED**

(75) **Inventor:** **Timothy M. O'Hare**, Oak Ridge, NC
(US)

(73) **Assignee:** **Bernhardt, L.L.C.**, Lenoir, NC (US)

(**) **Term:** **14 Years**

(21) **Appl. No.:** **29/200,572**

(22) **Filed:** **Mar. 1, 2004**

(51) **LOC (7) Cl.** **06-02**

(52) **U.S. Cl.** **D6/393**

(58) **Field of Search** D6/382-384, 388,
D6/389, 392-395, 505, 508; 5/53.1, 9.1,
279.1, 280, 281, 907, 310

(56) **References Cited**

U.S. PATENT DOCUMENTS

D373,486 S * 9/1996 Keller et al. D6/393

D392,811 S * 3/1998 Bergelin D6/393
D457,346 S * 5/2002 O'Hare D6/393
D486,667 S * 2/2004 Stanton D6/393

* cited by examiner

Primary Examiner—Janice E. Seeger

(74) *Attorney, Agent, or Firm*—MacCord Mason PLLC

(57) **CLAIM**

The ornamental design for a bed, as shown and described.

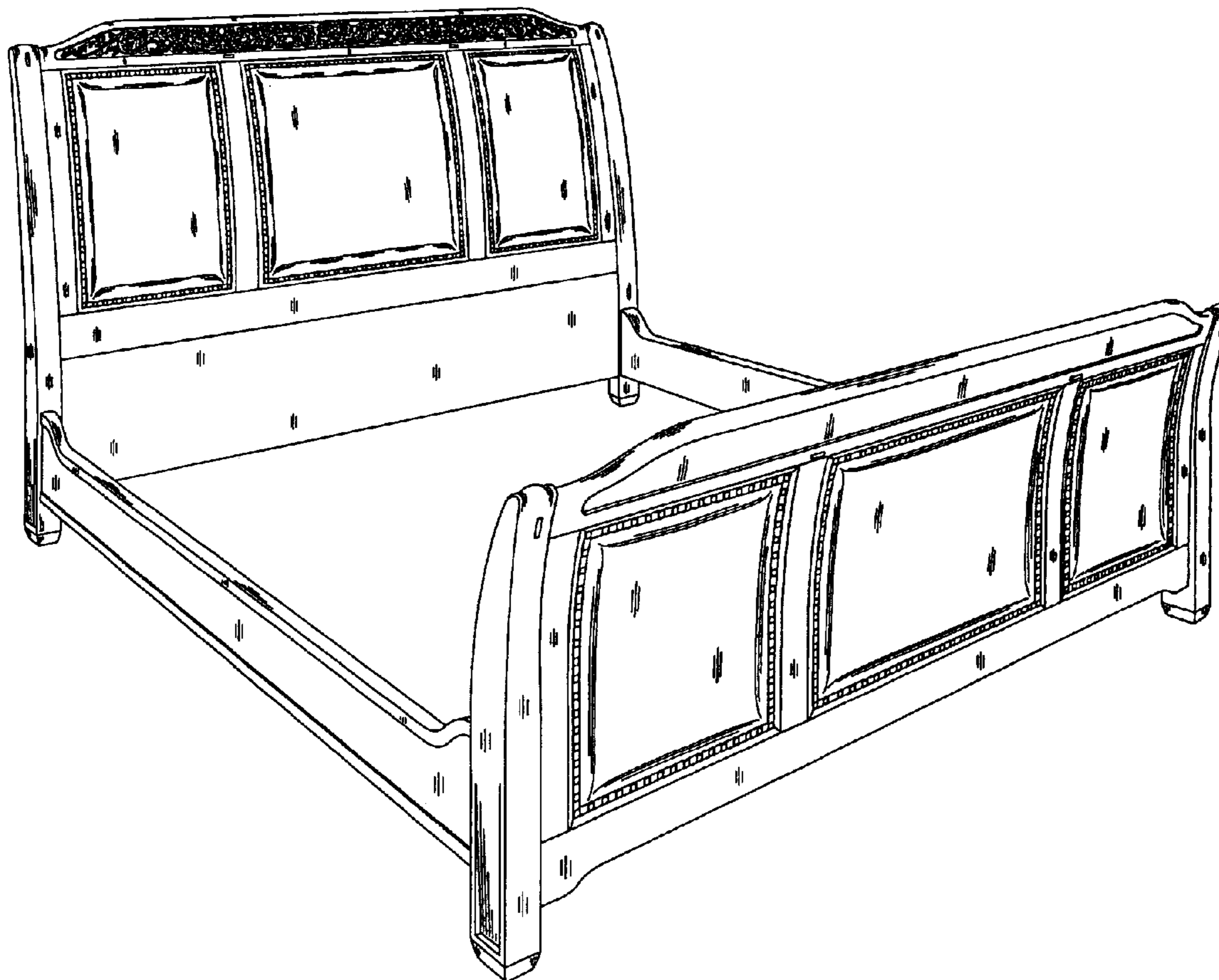
DESCRIPTION

FIG. 1 is a perspective view of a bed showing my new design;

FIG. 2 is a front view taken from the footboard; and,

FIG. 3 is a side view, the opposite side being a mirror image thereof.

1 Claim, 3 Drawing Sheets



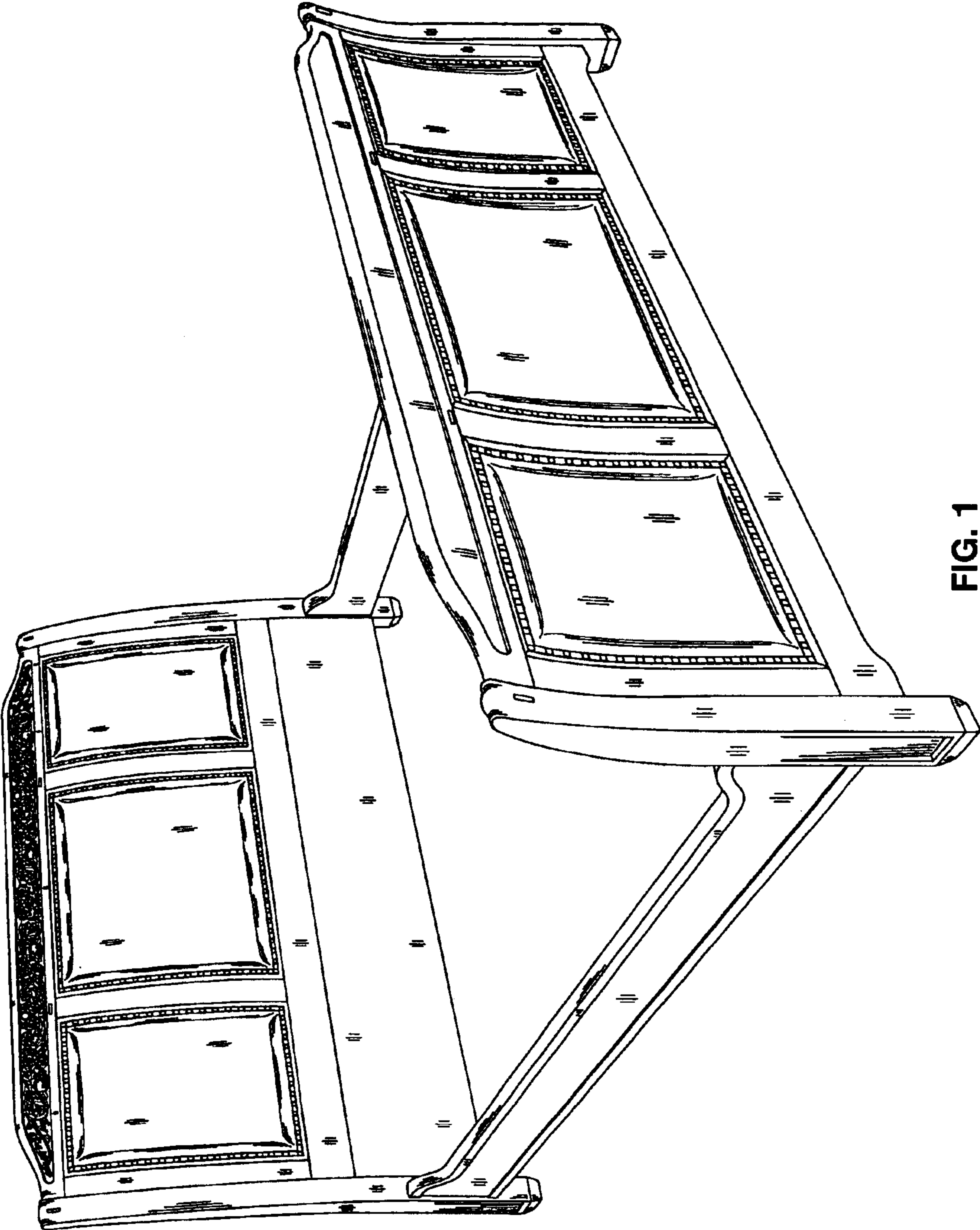


FIG. 1

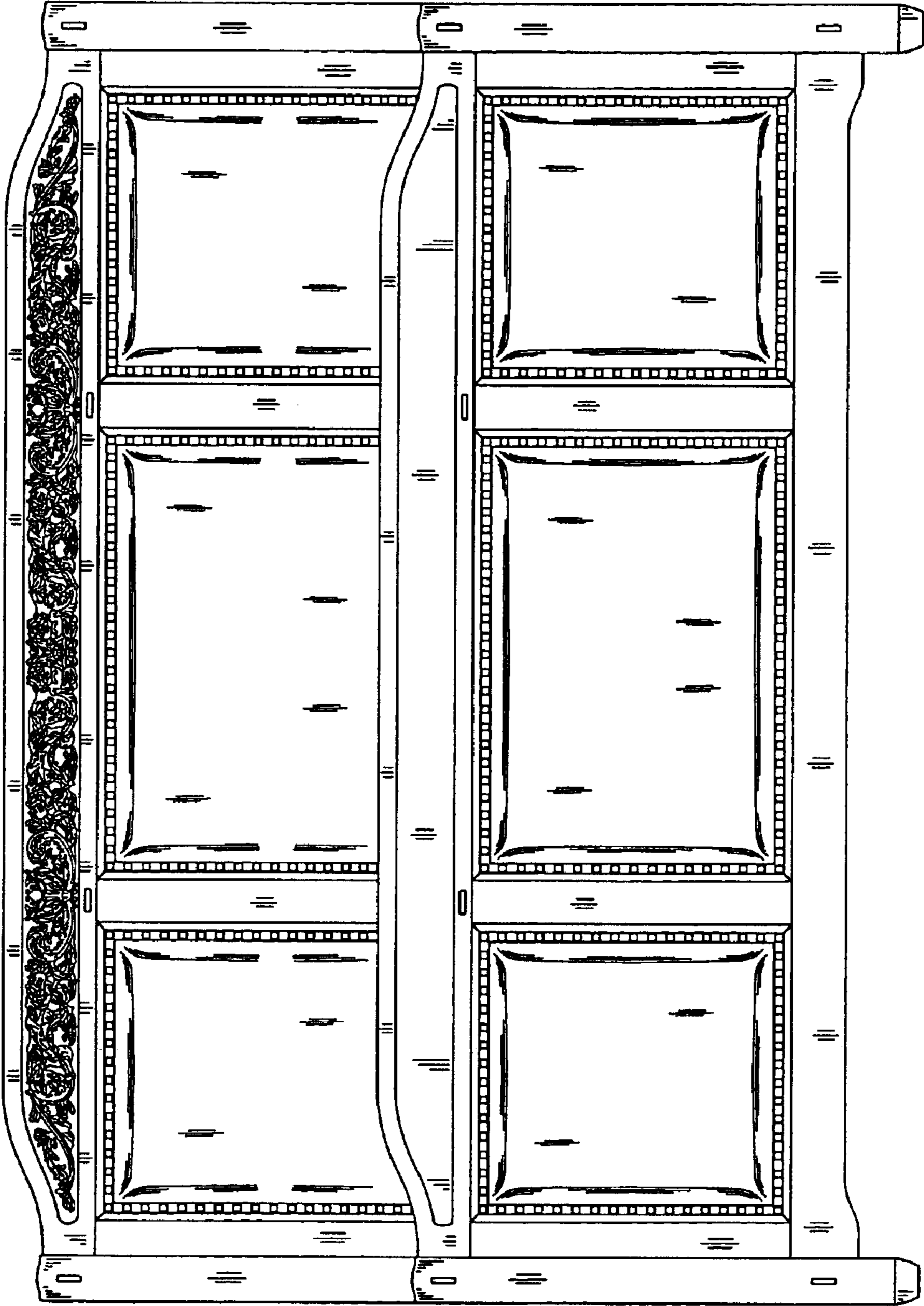


FIG. 2

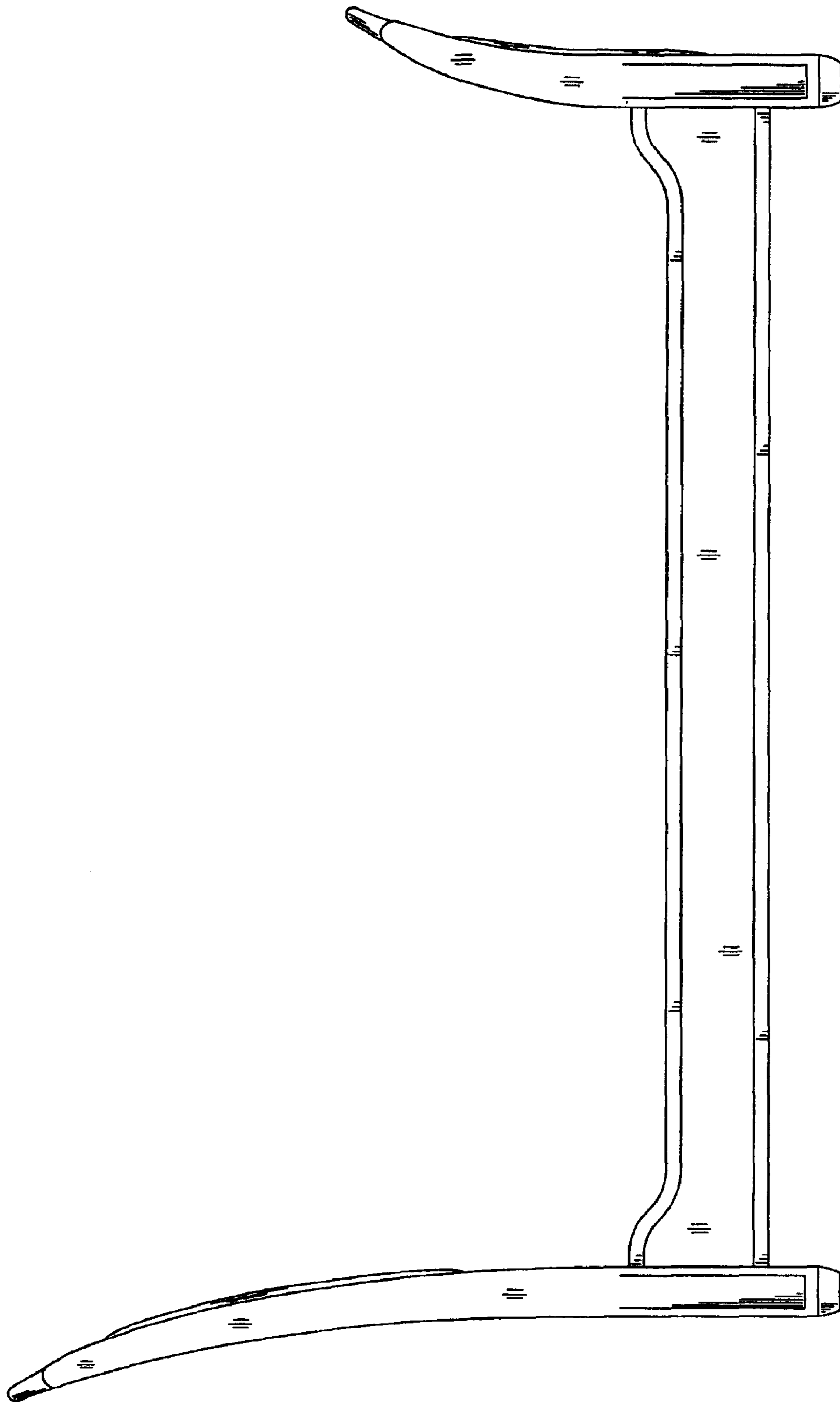


FIG. 3