

US00D503290S

(12) **United States Design Patent**
Tseng

(10) **Patent No.:** **US D503,290 S**

(45) **Date of Patent:** **** Mar. 29, 2005**

(54) **SWING**

(75) **Inventor:** **Chuen-Jong Tseng**, Chiayi Hsien (TW)

(73) **Assignee:** **Taiwan Shin Yeh Enterprise Co., Ltd.**,
Chiayi Hsien (TW)

(**) **Term:** **14 Years**

(21) **Appl. No.:** **29/197,929**

(22) **Filed:** **Jan. 22, 2004**

(51) **LOC (7) Cl.** **06-01**

(52) **U.S. Cl.** **D6/347; D6/344**

(58) **Field of Search** D6/334, 335, 344-347,
D6/374, 375, 500-502; D21/823; 297/248,
273, 277, 280, 281, 232, 452.19, 452.2;
472/118, 125

(56) **References Cited**

U.S. PATENT DOCUMENTS

D450,938 S * 11/2001 Liu D6/347

6,585,319 B2 * 7/2003 Tseng 297/281
6,767,056 B2 * 7/2004 Tseng 297/248
2003/0042776 A1 * 3/2003 Tseng 297/281

* cited by examiner

Primary Examiner—Mimosa De

(74) *Attorney, Agent, or Firm*—Ladas & Parry LLP

(57) **CLAIM**

The ornamental design for swing, as shown and described.

DESCRIPTION

FIG. 1 is a perspective view of swing showing my new design;

FIG. 2 is a front elevational view thereof;

FIG. 3 is a rear elevational view thereof;

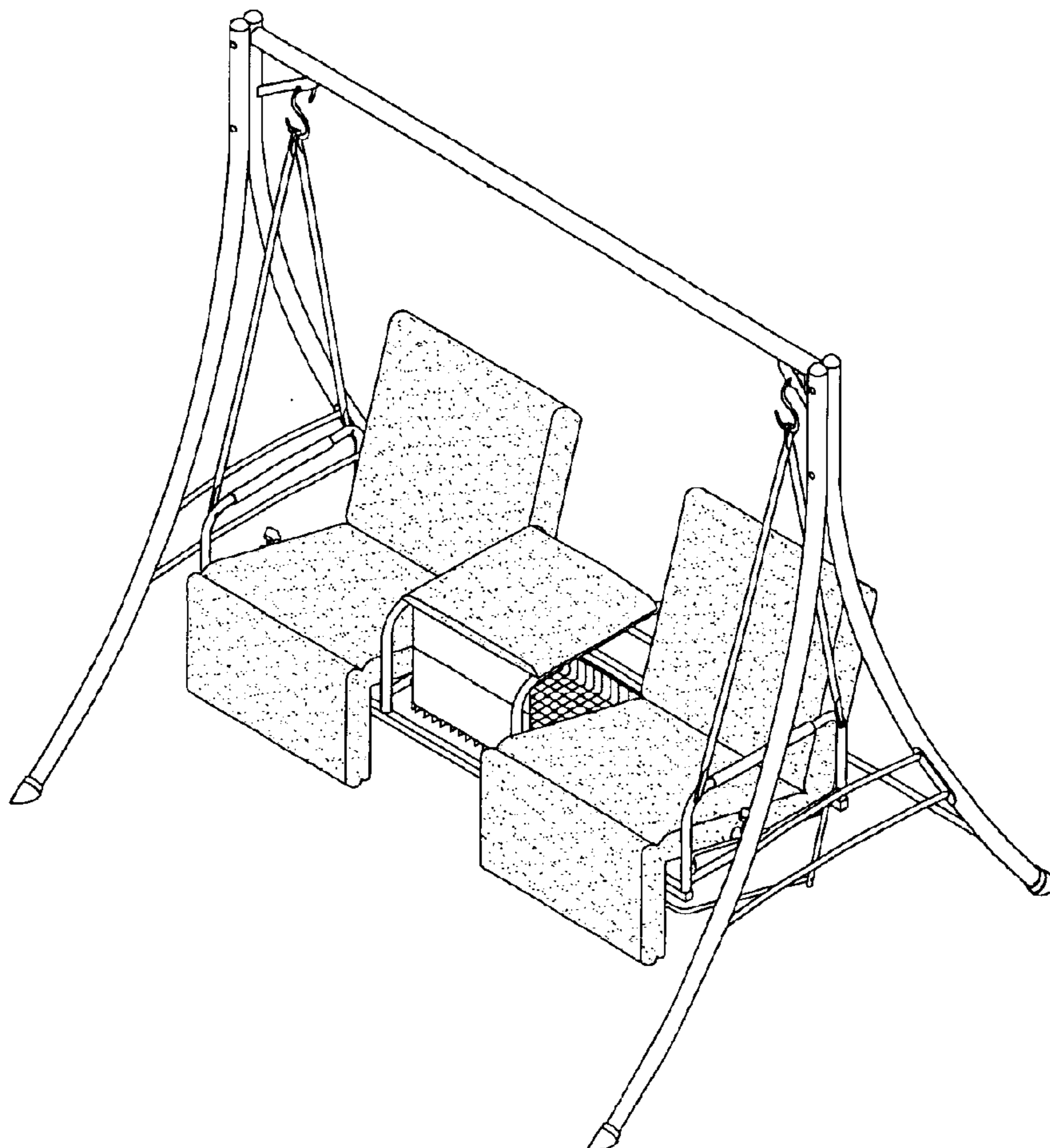
FIG. 4 is a left side elevational view thereof;

FIG. 5 is a right side elevational view thereof;

FIG. 6 is a top plan view thereof; and,

FIG. 7 is a bottom plan view thereof.

1 Claim, 4 Drawing Sheets



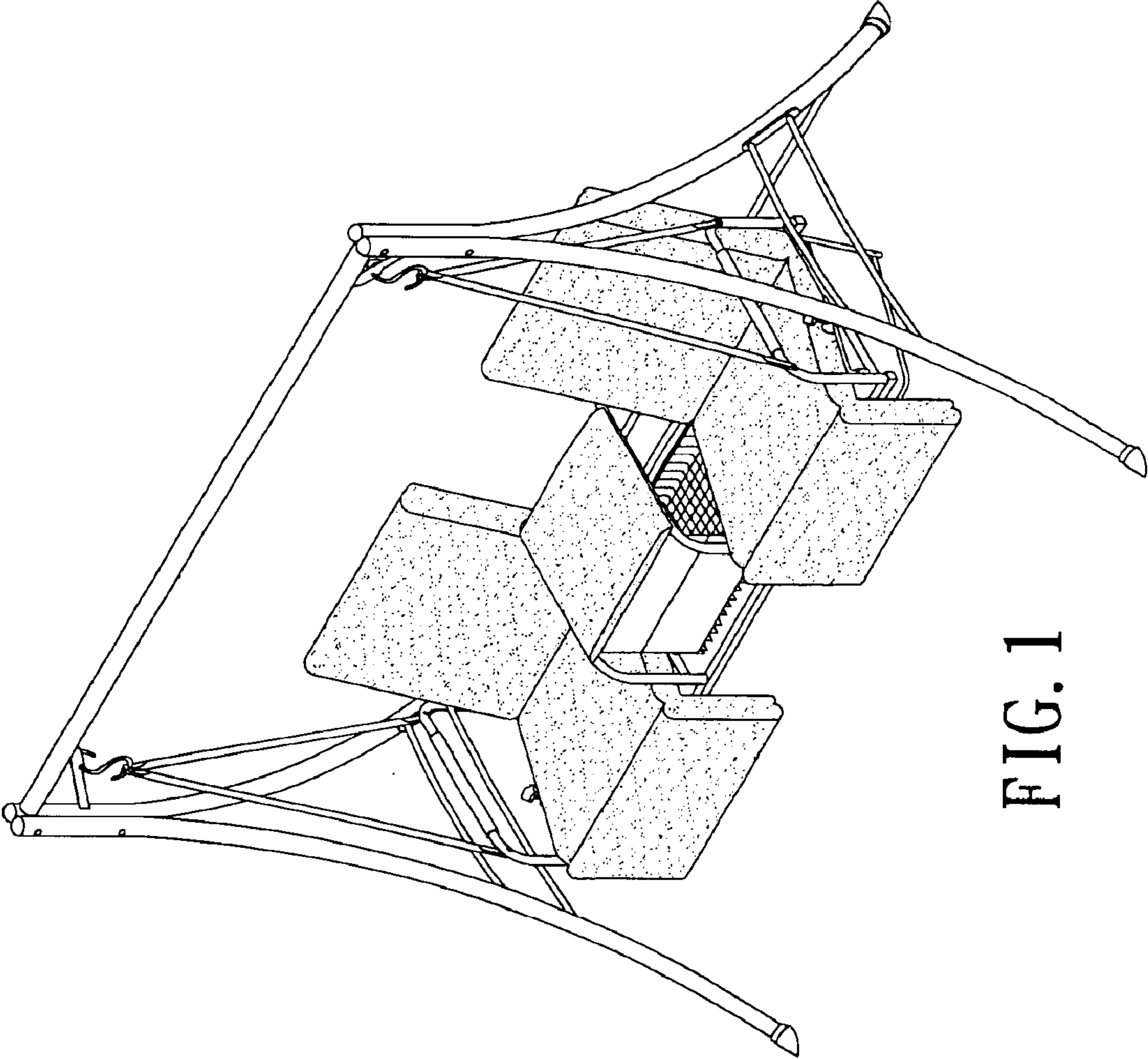


FIG. 1

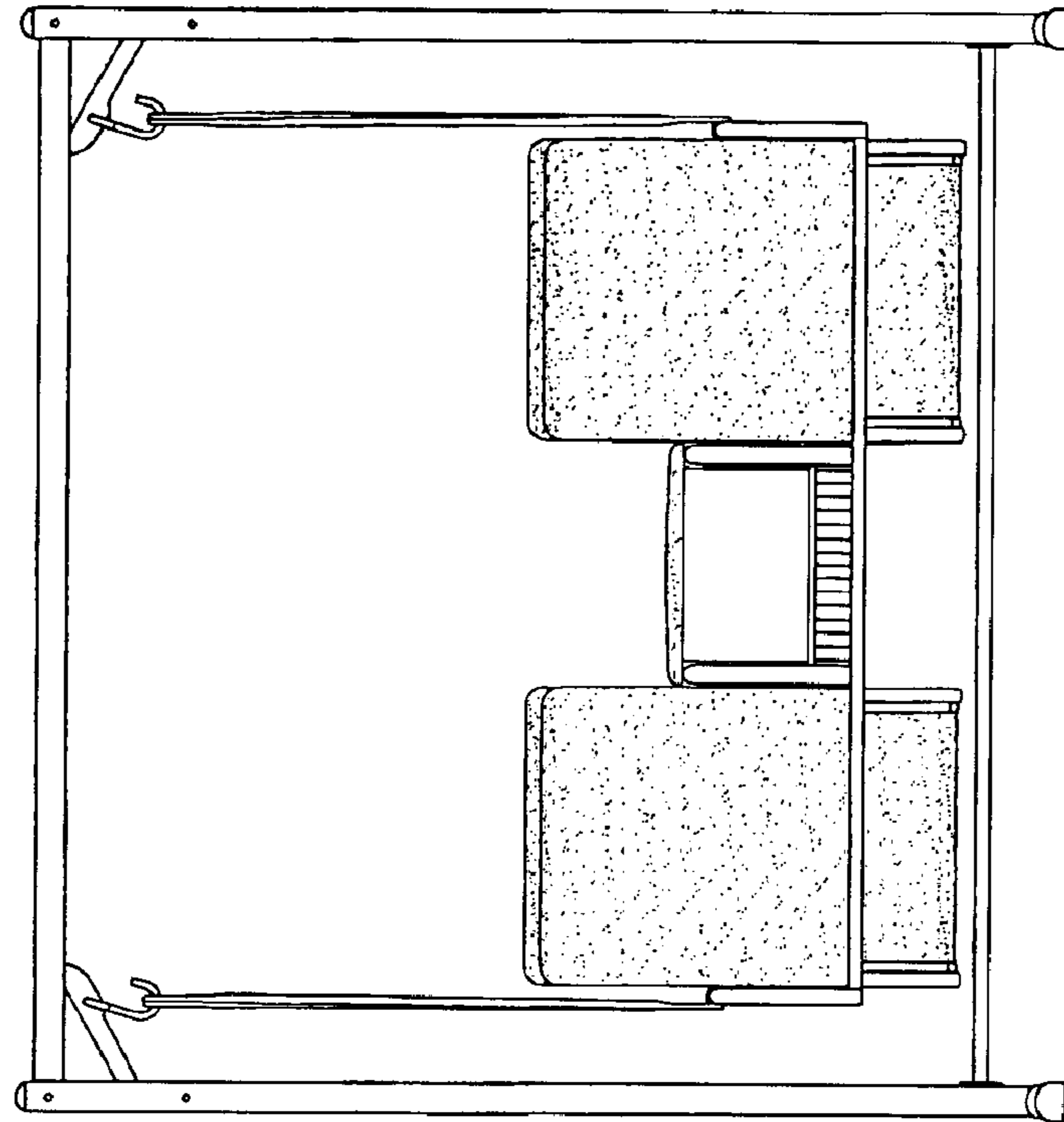


FIG. 3

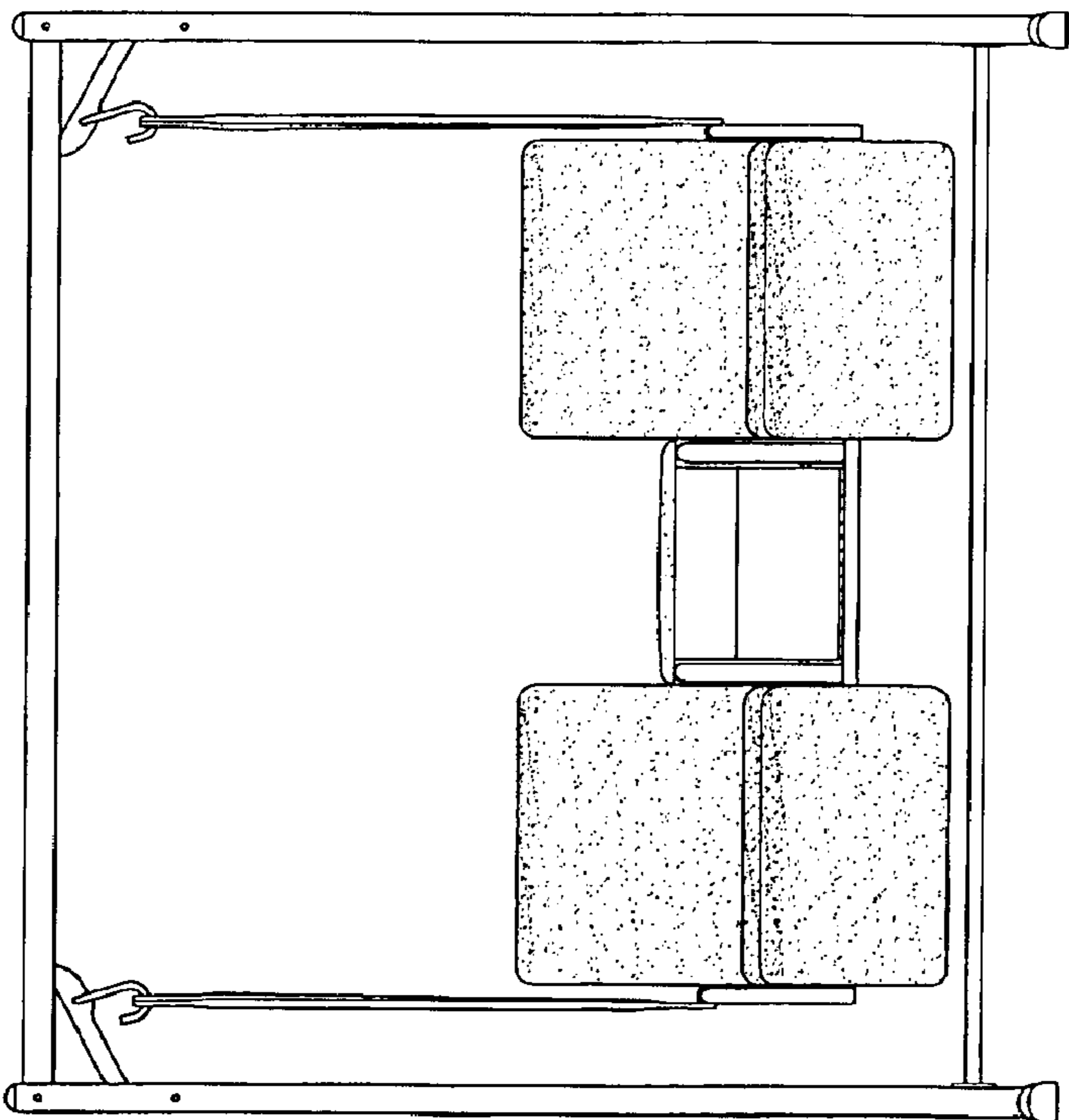


FIG. 2

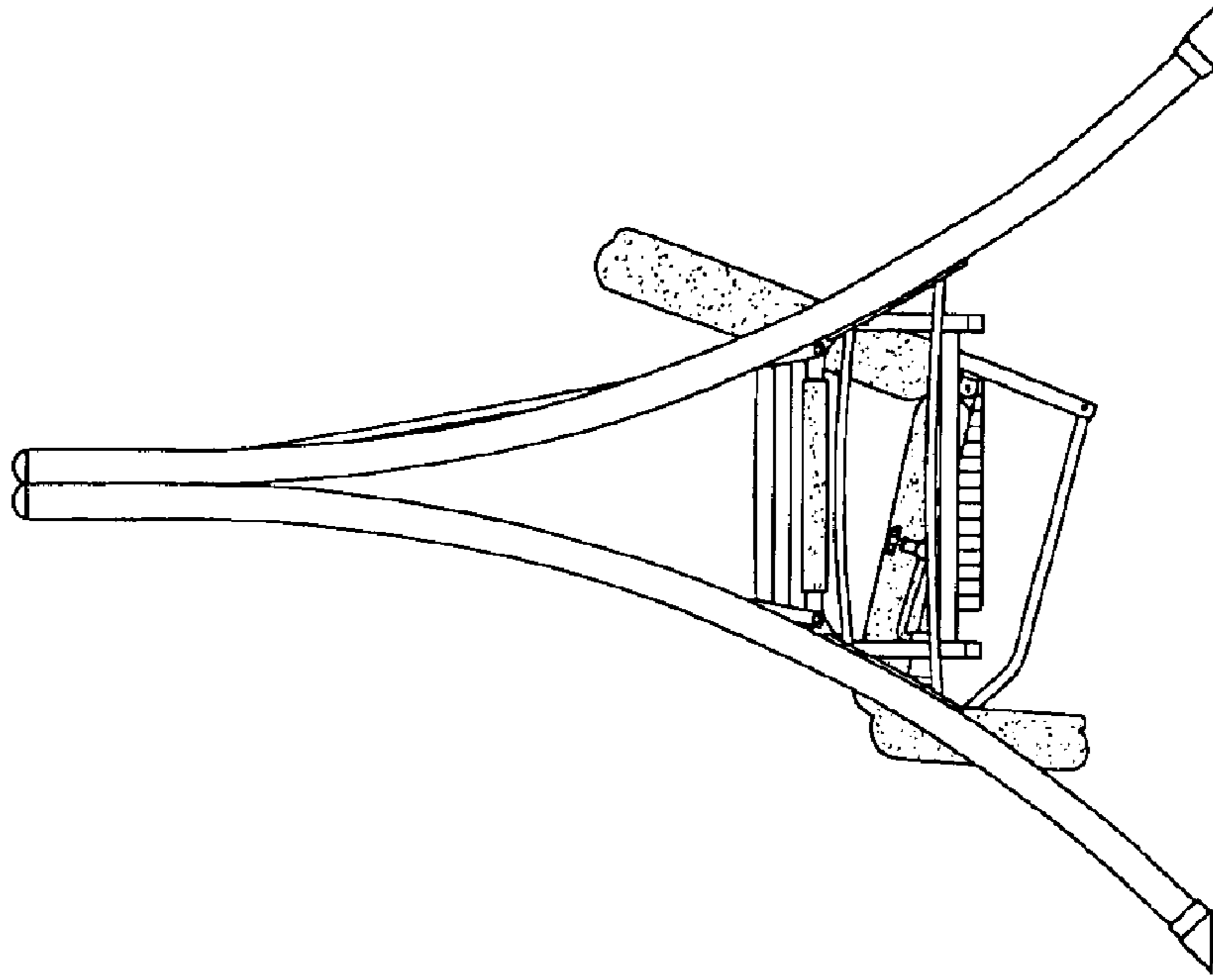


FIG. 5

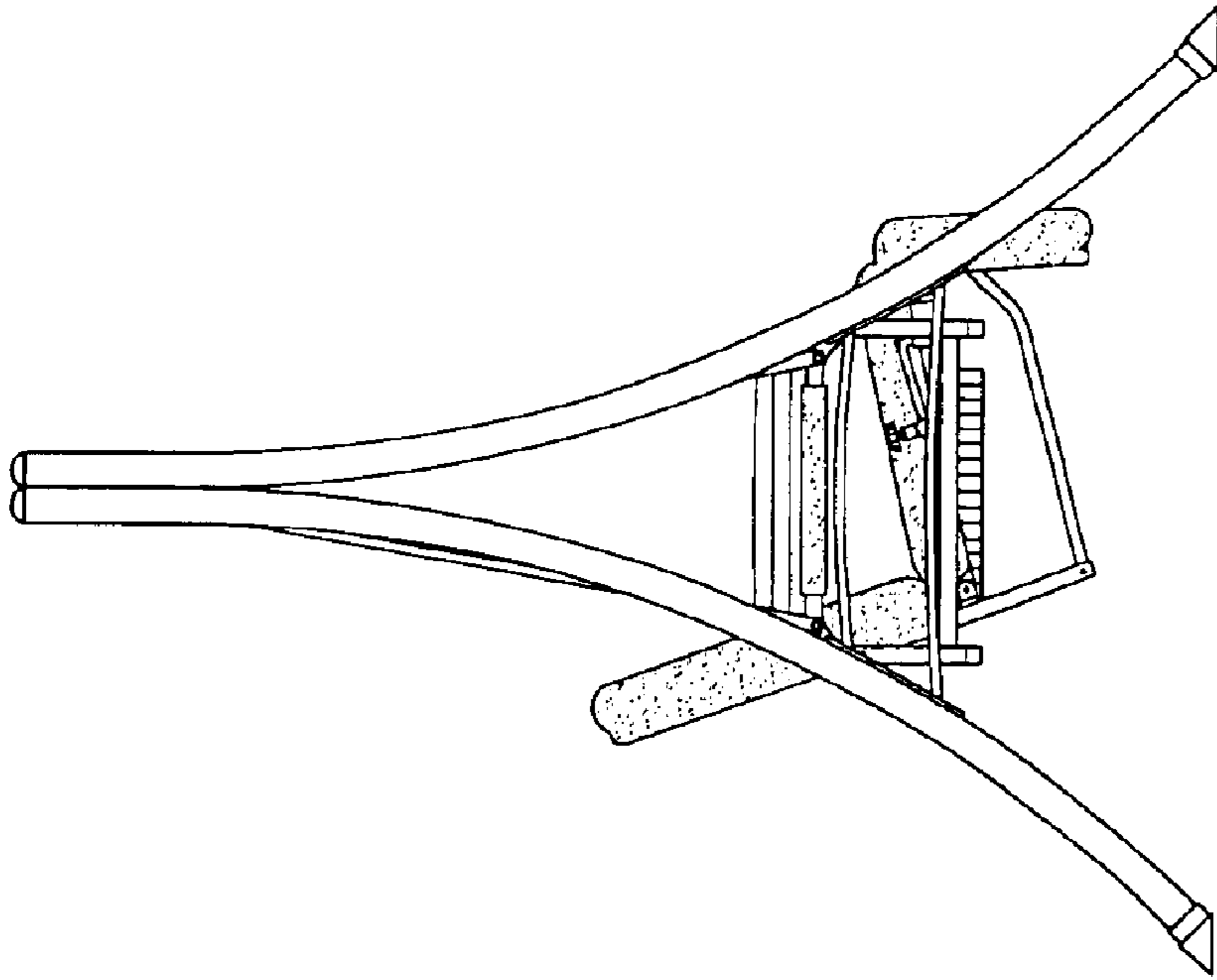


FIG. 4

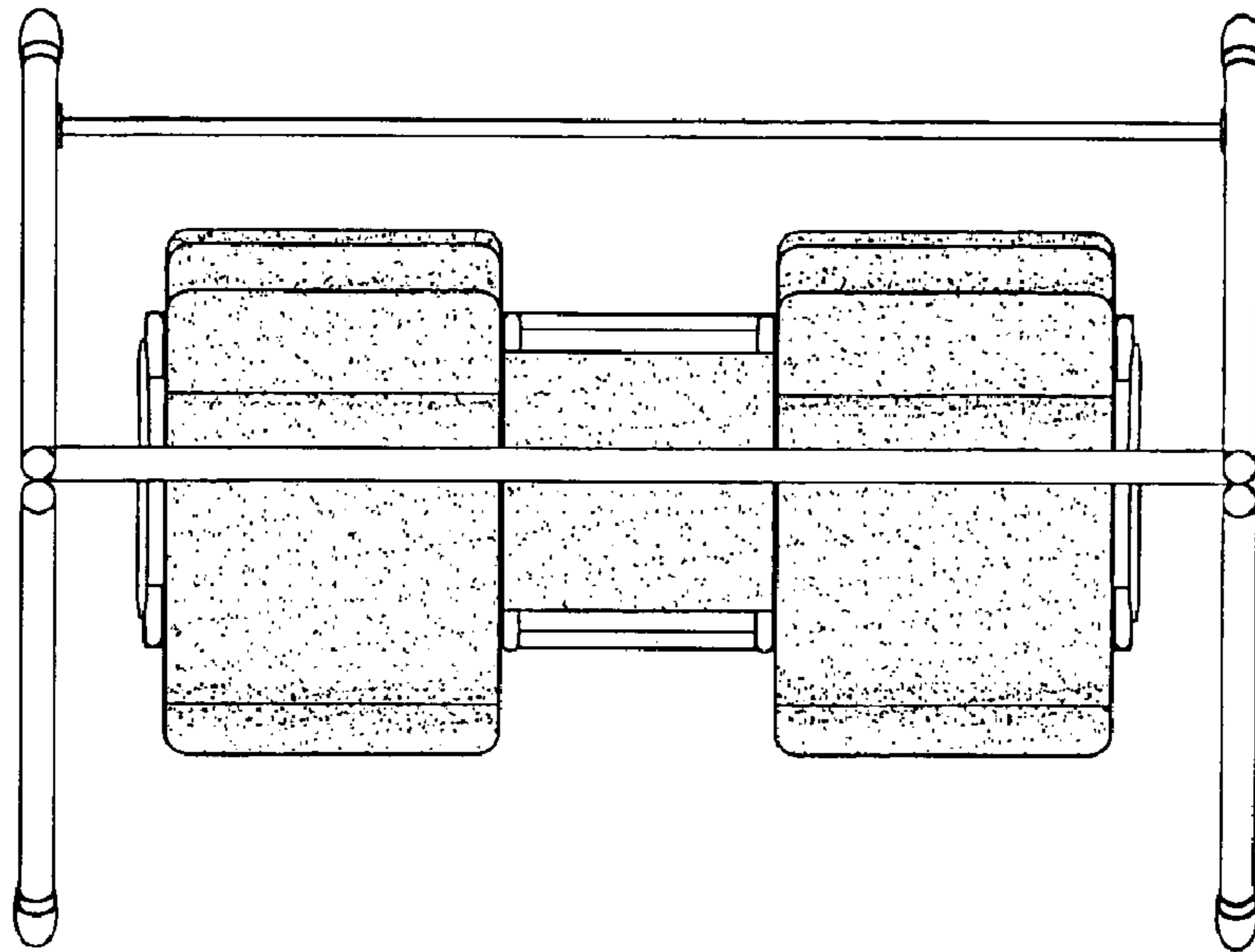


FIG. 6

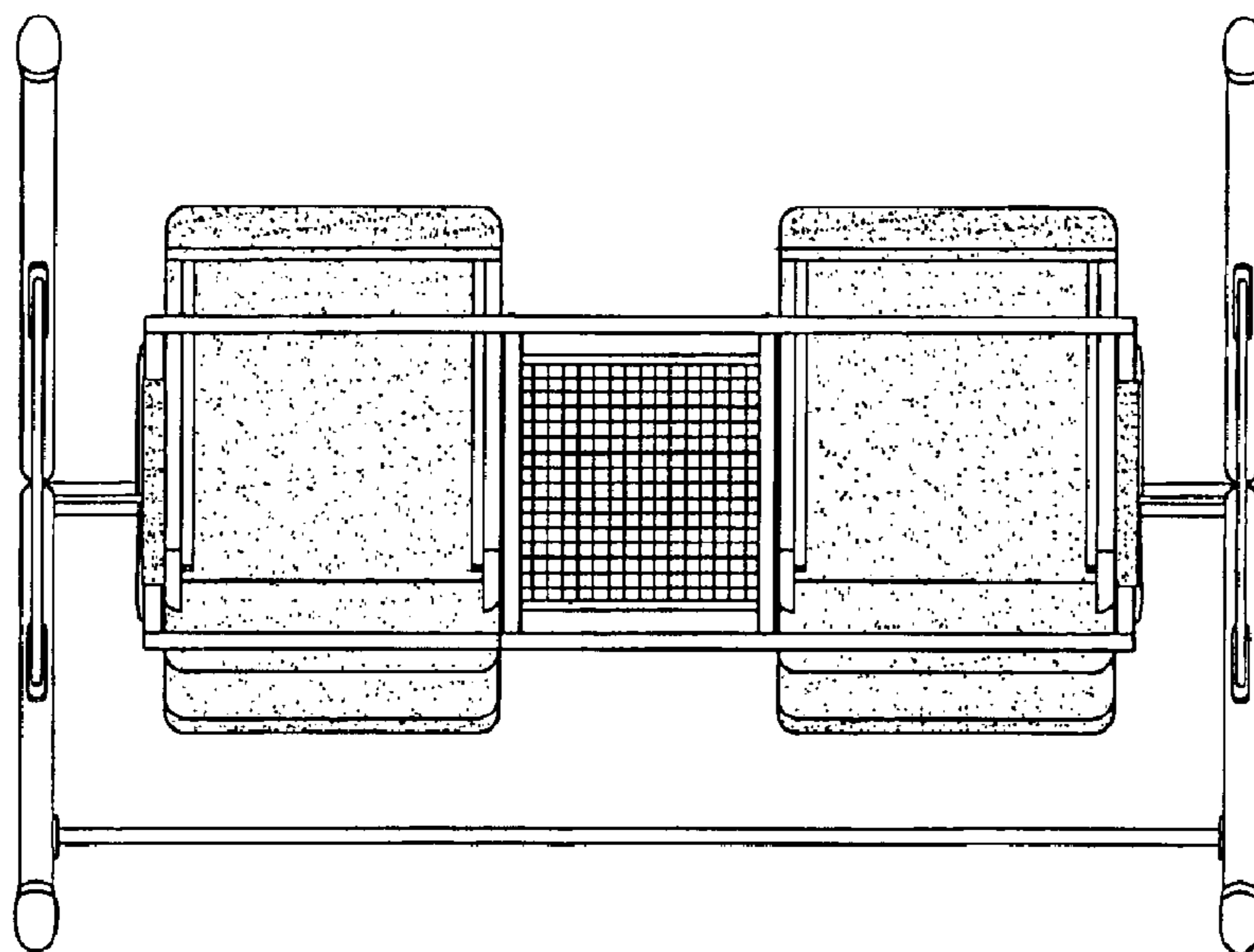


FIG. 7