

US00D503287S

(12) **United States Design Patent**
Gouldson

(10) **Patent No.:** **US D503,287 S**
(45) **Date of Patent:** **** Mar. 29, 2005**

(54) **COORDINATE HANGER LOOP**

(75) **Inventor:** **Stanley F. Gouldson**, Northport, NY
(US)

(73) **Assignee:** **Spotless Plastics Pty. Ltd.**, Moorabbin
(AU)

(**) **Term:** **14 Years**

(21) **Appl. No.:** **29/193,181**

(22) **Filed:** **Nov. 5, 2003**

(51) **LOC (7) Cl.** **06-08**

(52) **U.S. Cl.** **D6/328**

(58) **Field of Search** D6/328, 323; D8/300,
D8/367; 223/85, 88, 97; 294/137, 143,
150, 152, 158, 159, 165, 167, 26, 153,
31.2; D3/318; 16/114.1; 190/116

(56) **References Cited**

U.S. PATENT DOCUMENTS

3,606,967	A	*	9/1971	Roberts	294/143
3,692,218	A	*	9/1972	Friedman	294/165
4,112,541	A	*	9/1978	Tetradis	294/165
4,696,505	A	*	9/1987	Shadoan	294/153
D365,978	S	*	1/1996	Rekuc et al.	D8/367
5,695,234	A	*	12/1997	Coticchio et al.	294/152
5,806,904	A	*	9/1998	Smith	294/31.2

5,878,853	A	*	3/1999	DeRouen et al.	190/116
D448,986	S	*	10/2001	Cook et al.	D8/367
6,349,862	B1	*	2/2002	Smith	223/85
D463,124	S	*	9/2002	Godshaw et al.	D3/318
D469,964	S	*	2/2003	Gouldson	D6/326
6,578,231	B1	*	6/2003	Godshaw et al.	16/114.1

* cited by examiner

Primary Examiner—Nanda Bondade

Assistant Examiner—Shanda C. Hill

(74) *Attorney, Agent, or Firm*—Scully, Scott, Murphy & Presser

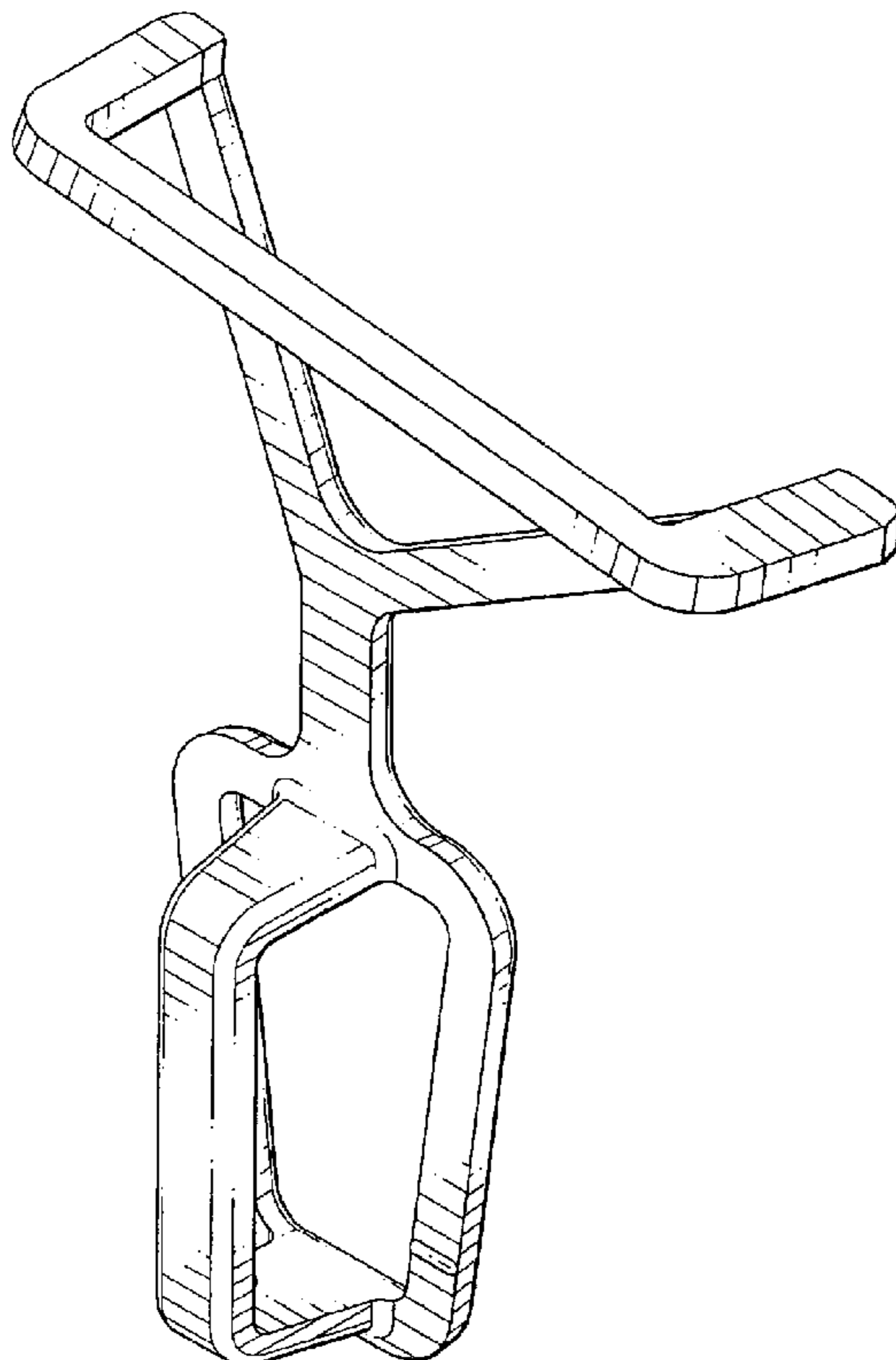
(57) **CLAIM**

The ornamental design for a coordinate hanger loop, as shown and described.

DESCRIPTION

FIG. 1 is an isometric view of a coordinate hanger loop; FIG. 2 is a front elevation view of a coordinate hanger loop; FIG. 3 is a rear elevation view of a coordinate hanger loop; FIG. 4 is a left side elevation view of a coordinate hanger loop; FIG. 5 is a right side elevation view of a coordinate hanger loop; FIG. 6 is a top plan view of a coordinate hanger loop; and, FIG. 7 is a bottom view of a coordinate hanger loop.

1 Claim, 5 Drawing Sheets



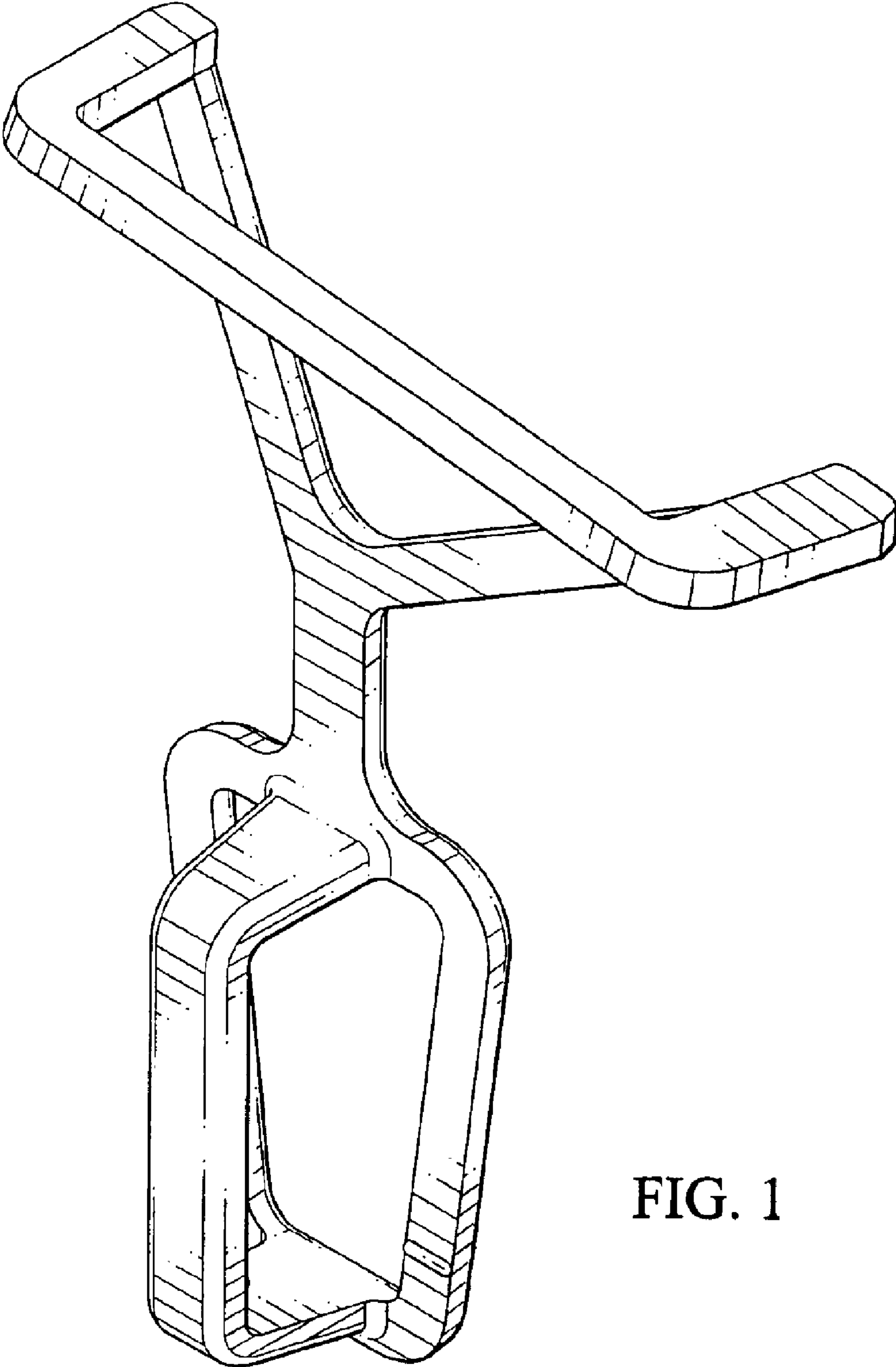


FIG. 1

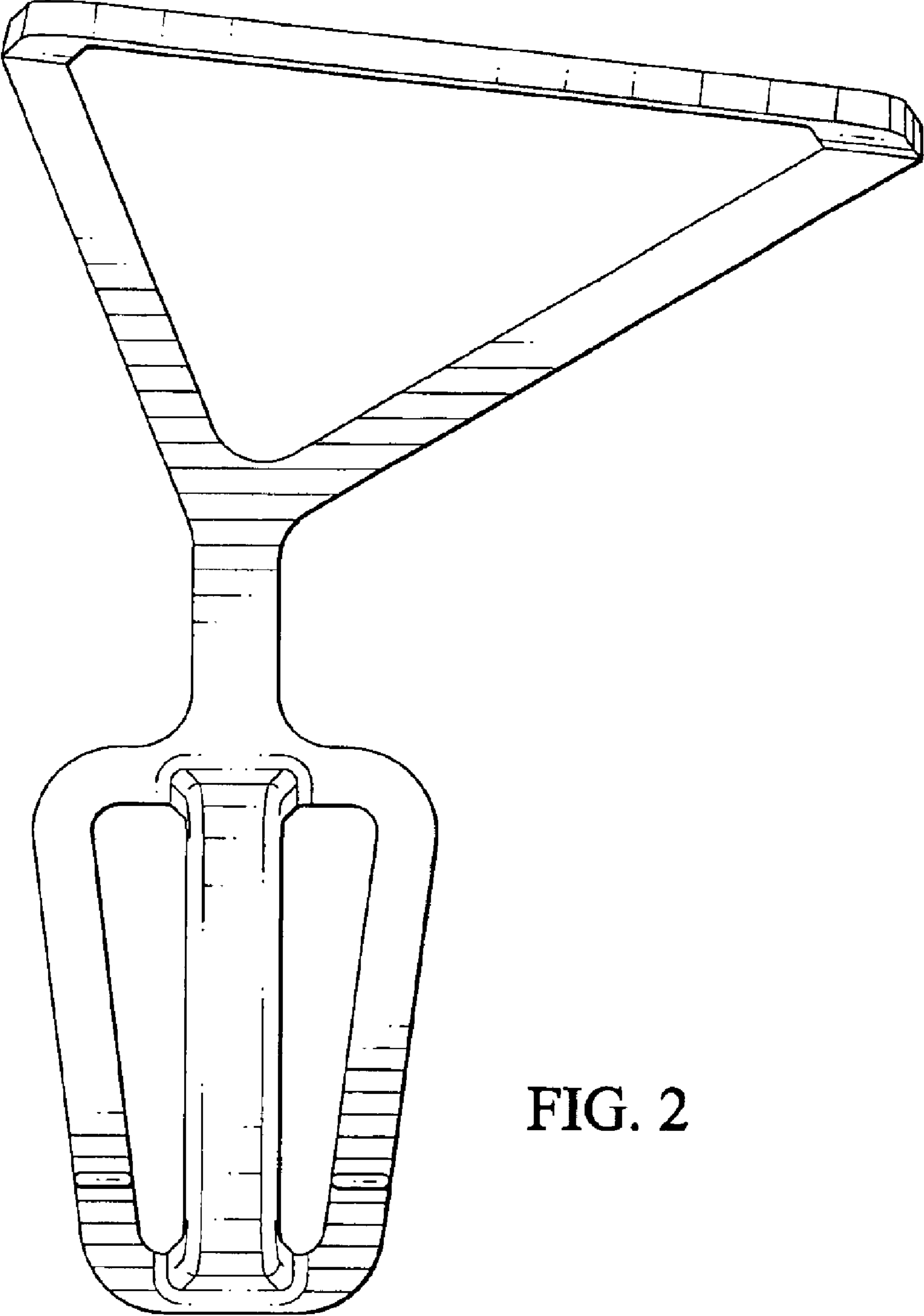


FIG. 2

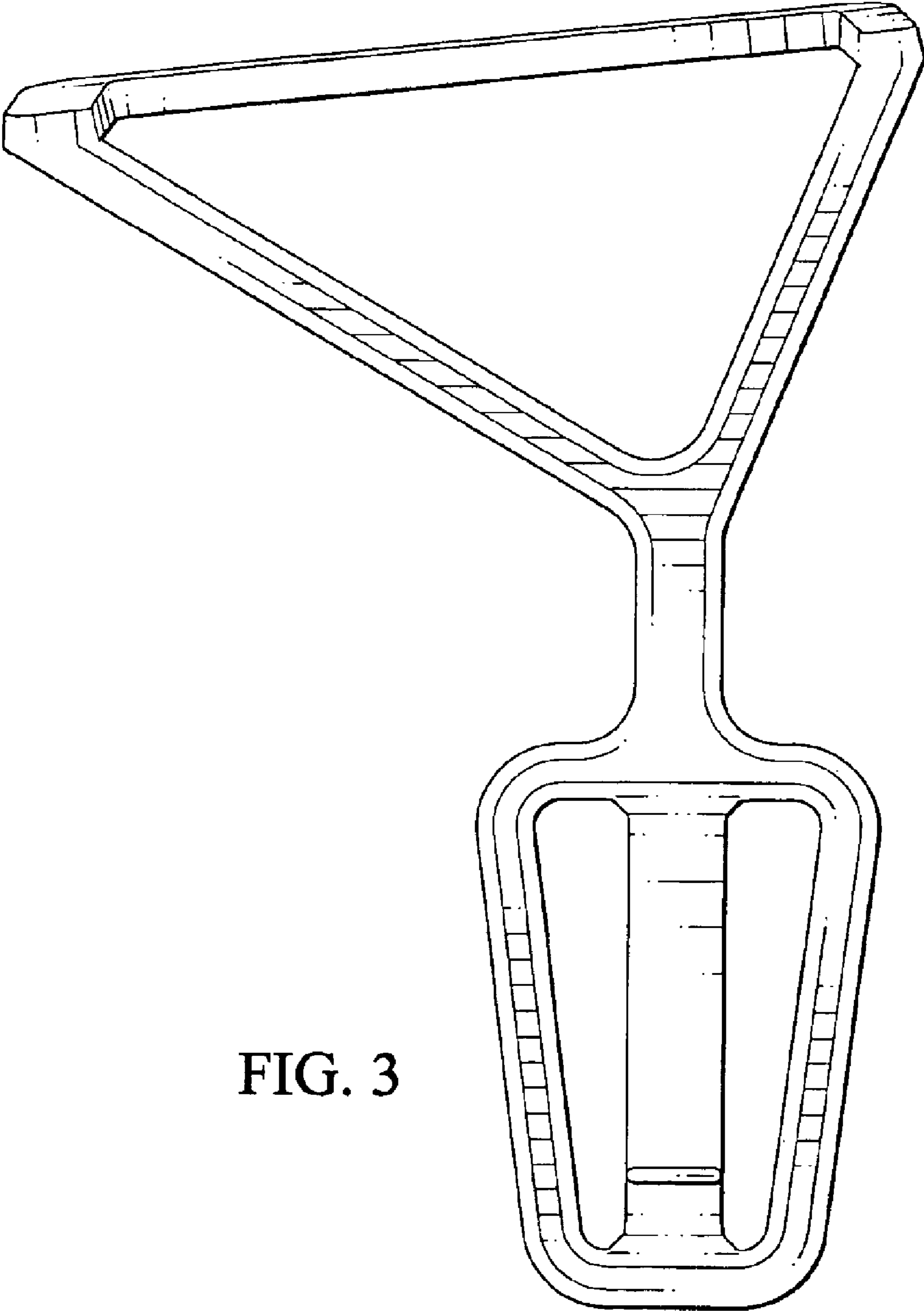


FIG. 3

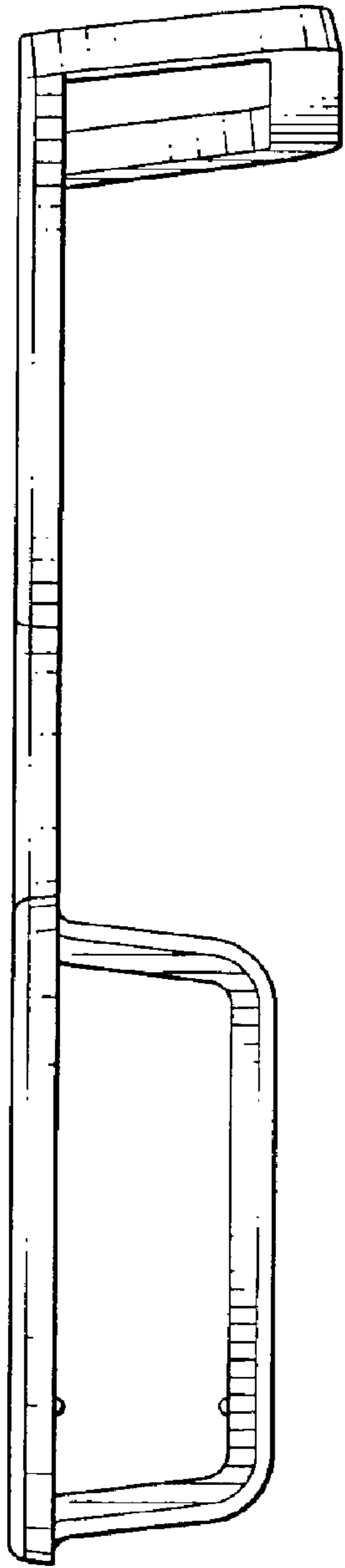


FIG. 4

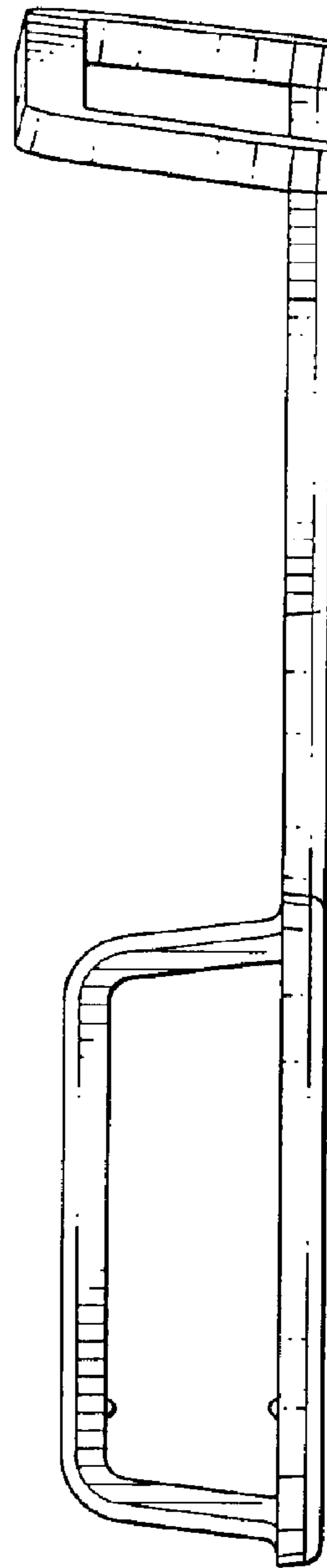


FIG. 5

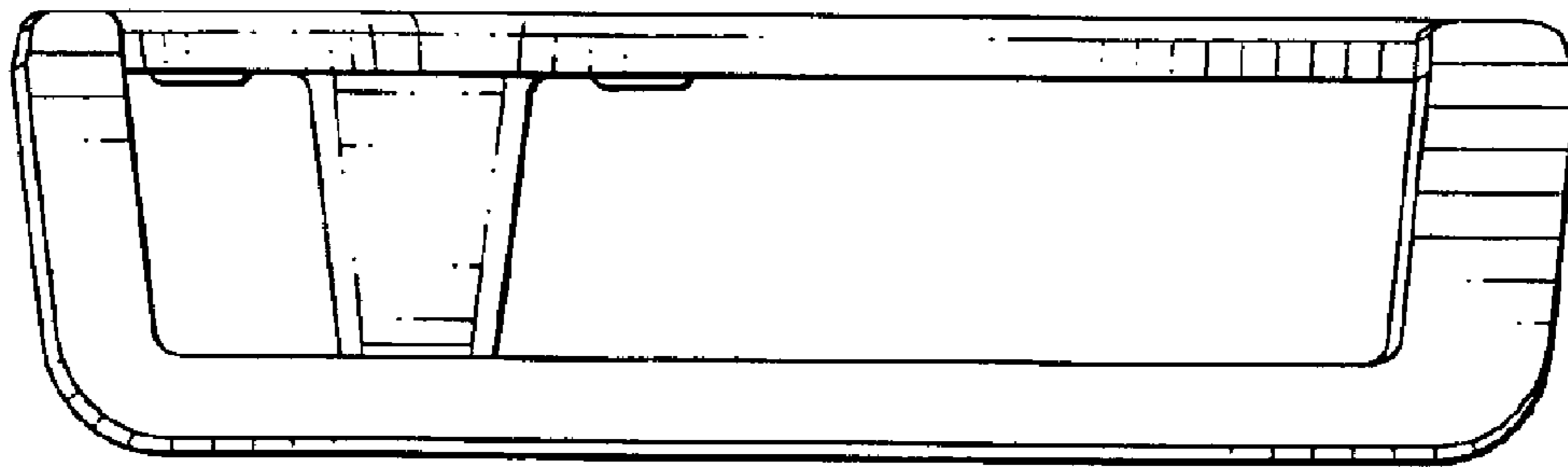


FIG. 6

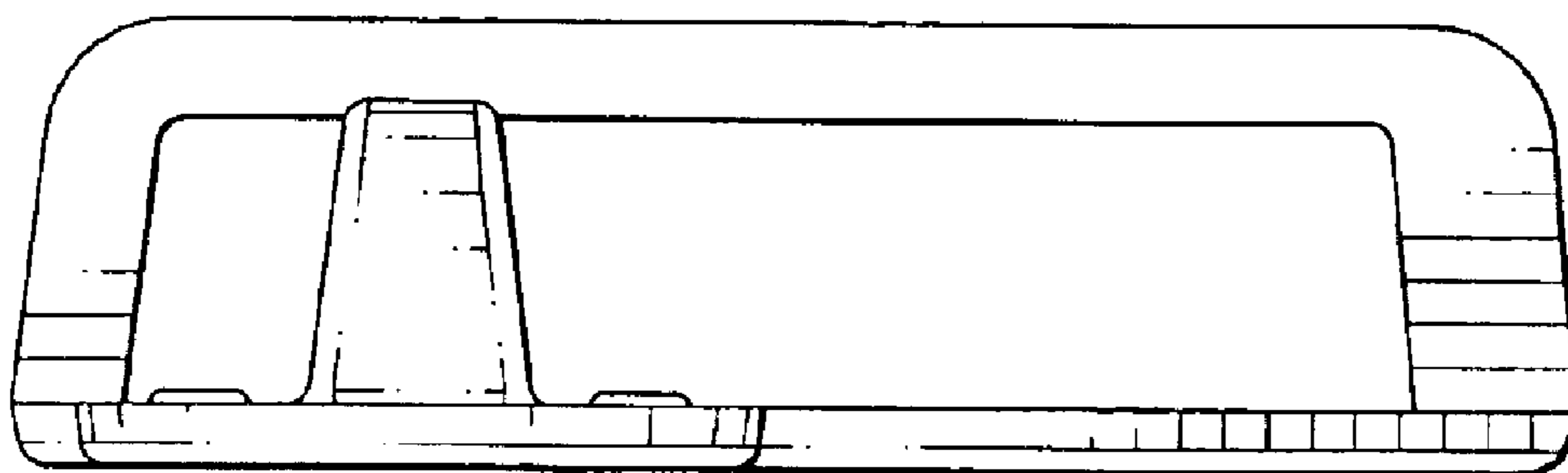


FIG. 7