

US00D503286S

(12) **United States Design Patent**
Stevens

(10) **Patent No.: US D503,286 S**

(45) **Date of Patent: ** Mar. 29, 2005**

(54) **COMBINED COAT AND GARMENT HANGER**

(76) **Inventor: Laurie K. Stevens, 17361 E. Hamilton Ave., Aurora, CO (US) 80013**

(**) **Term: 14 Years**

(21) **Appl. No.: 29/201,113**

(22) **Filed: Mar. 10, 2004**

(51) **LOC (7) Cl. 06-08**

(52) **U.S. Cl. D6/327**

(58) **Field of Search D6/327, 316, 323, D6/328, 28, 411, 463, 465, 457-8; 211/30, 32, 115-6; D8/367; 248/914**

(56) **References Cited**

U.S. PATENT DOCUMENTS

1,691,123	A	*	11/1928	Pajeau	211/113
3,204,779	A	*	9/1965	Warner	211/190
3,900,110	A		8/1975	Soroka	211/113
D270,789	S	*	10/1983	Blanco et al.	D6/463
4,750,627	A	*	6/1988	Myers	211/205
D334,855	S	*	4/1993	Harrington et al.	D6/458

D338,351	S		8/1993	Cellamare	D6/412
5,582,334	A		12/1996	Blazer et al.	223/86
D383,334	S	*	9/1997	Barden	D6/463
6,053,378	A		4/2000	Doyel	223/86
D465,946	S	*	11/2002	Boyd, Jr.	D6/458
D496,191	S	*	9/2004	Johnson	D6/465

* cited by examiner

Primary Examiner—Stella Reid

Assistant Examiner—Shanda C. Hill

(74) *Attorney, Agent, or Firm*—Sturm & Fix LLP

(57) **CLAIM**

The ornamental design for a combined coat and garment hanger, as shown and described.

DESCRIPTION

FIG. 1 is a perspective view of a combined coat and garment hanger, showing my new design;

FIG. 2 is a side view thereof;

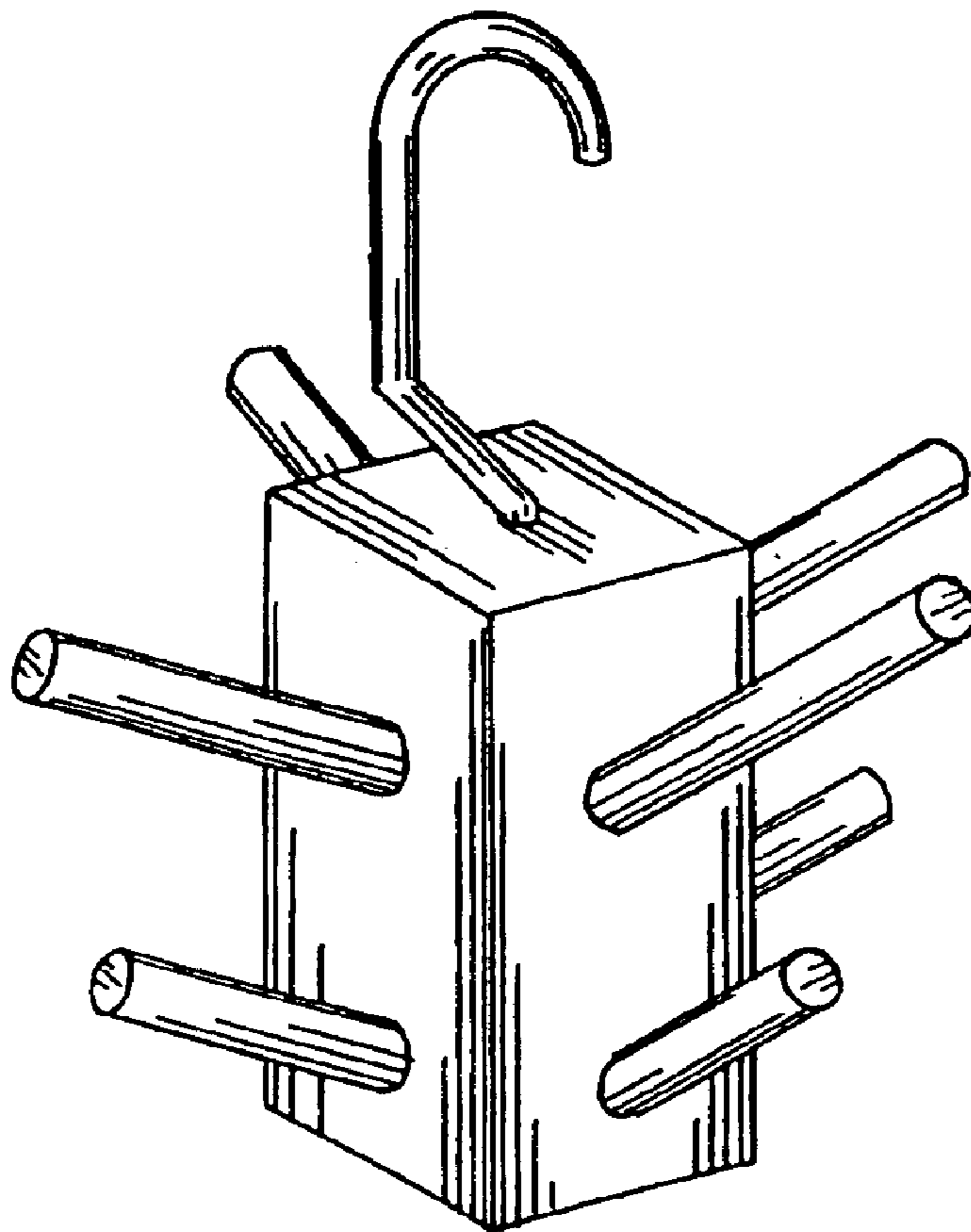
FIG. 3 is a rear view thereof;

FIG. 4 is a front view thereof;

FIG. 5 is a top view thereof; and,

FIG. 6 is a bottom view thereof.

1 Claim, 3 Drawing Sheets



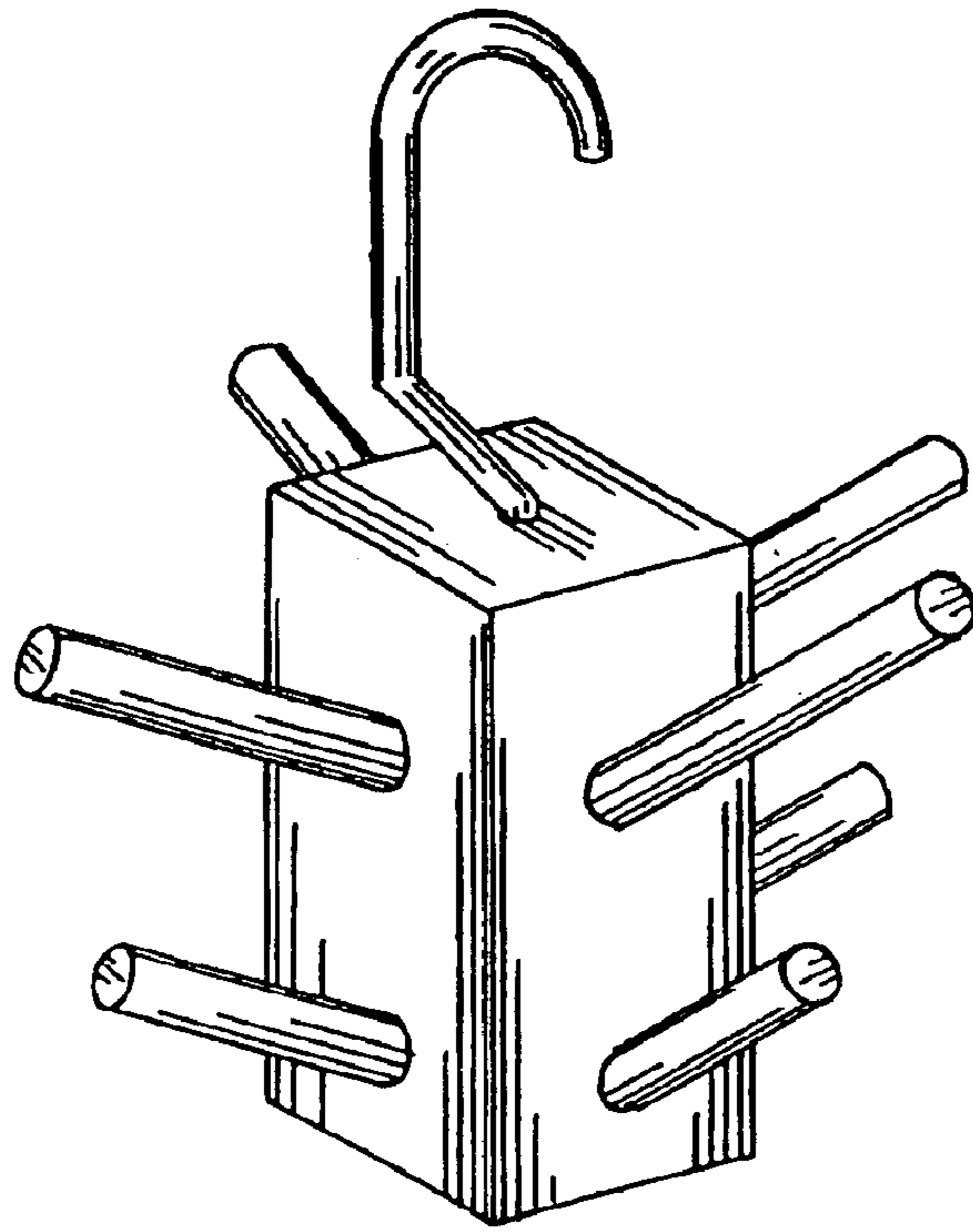


Fig. 1

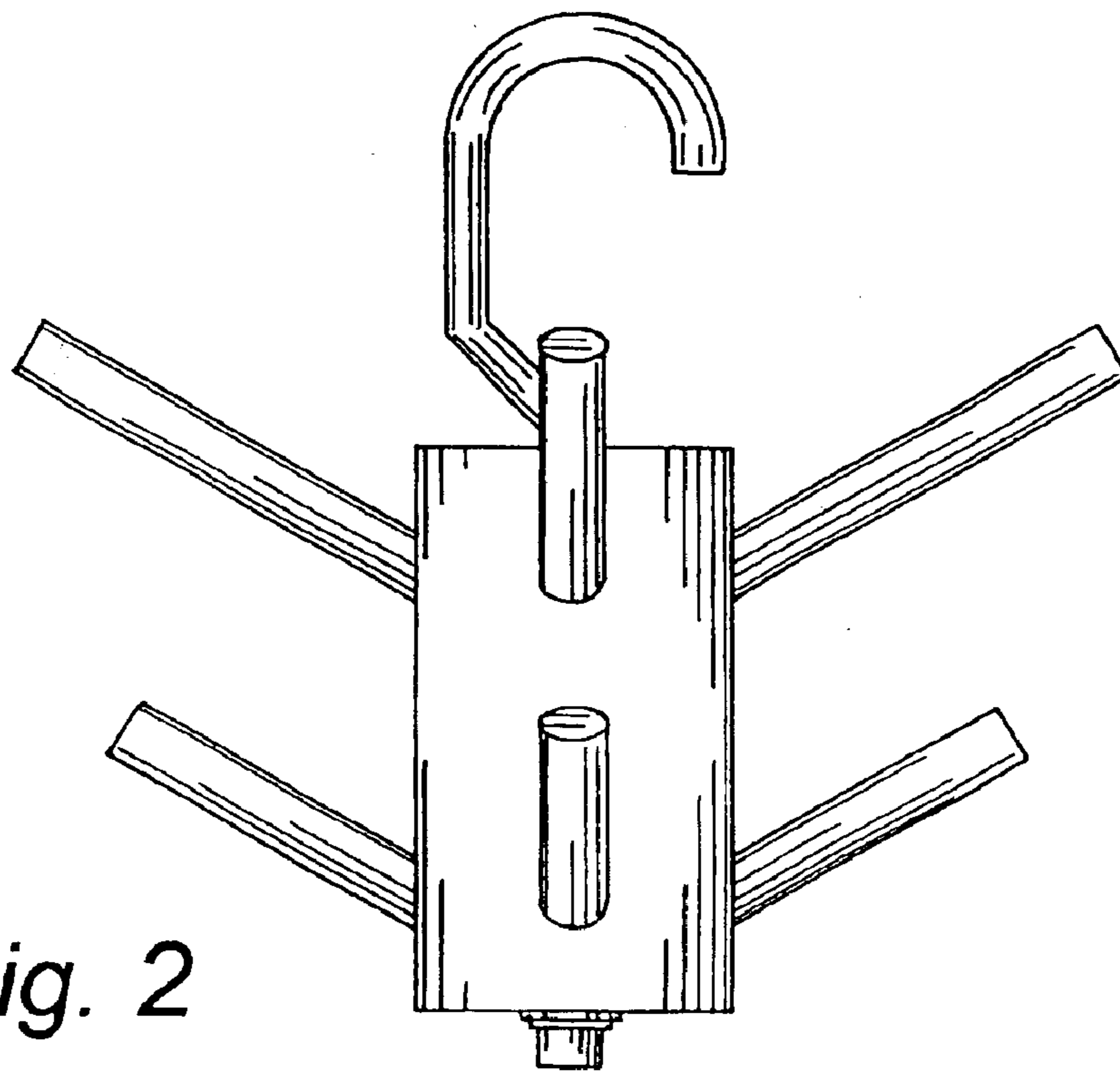


Fig. 2

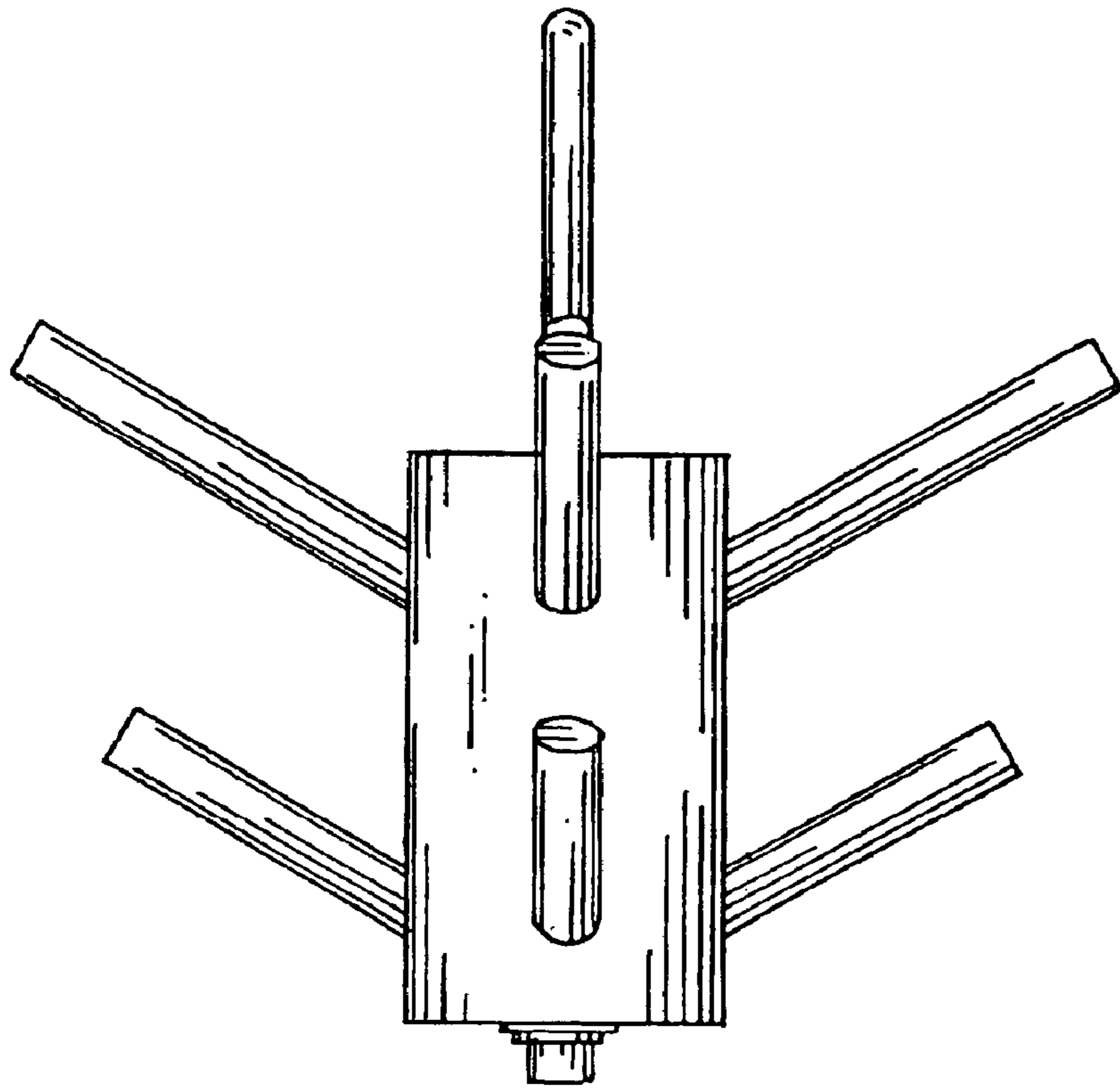


Fig. 3

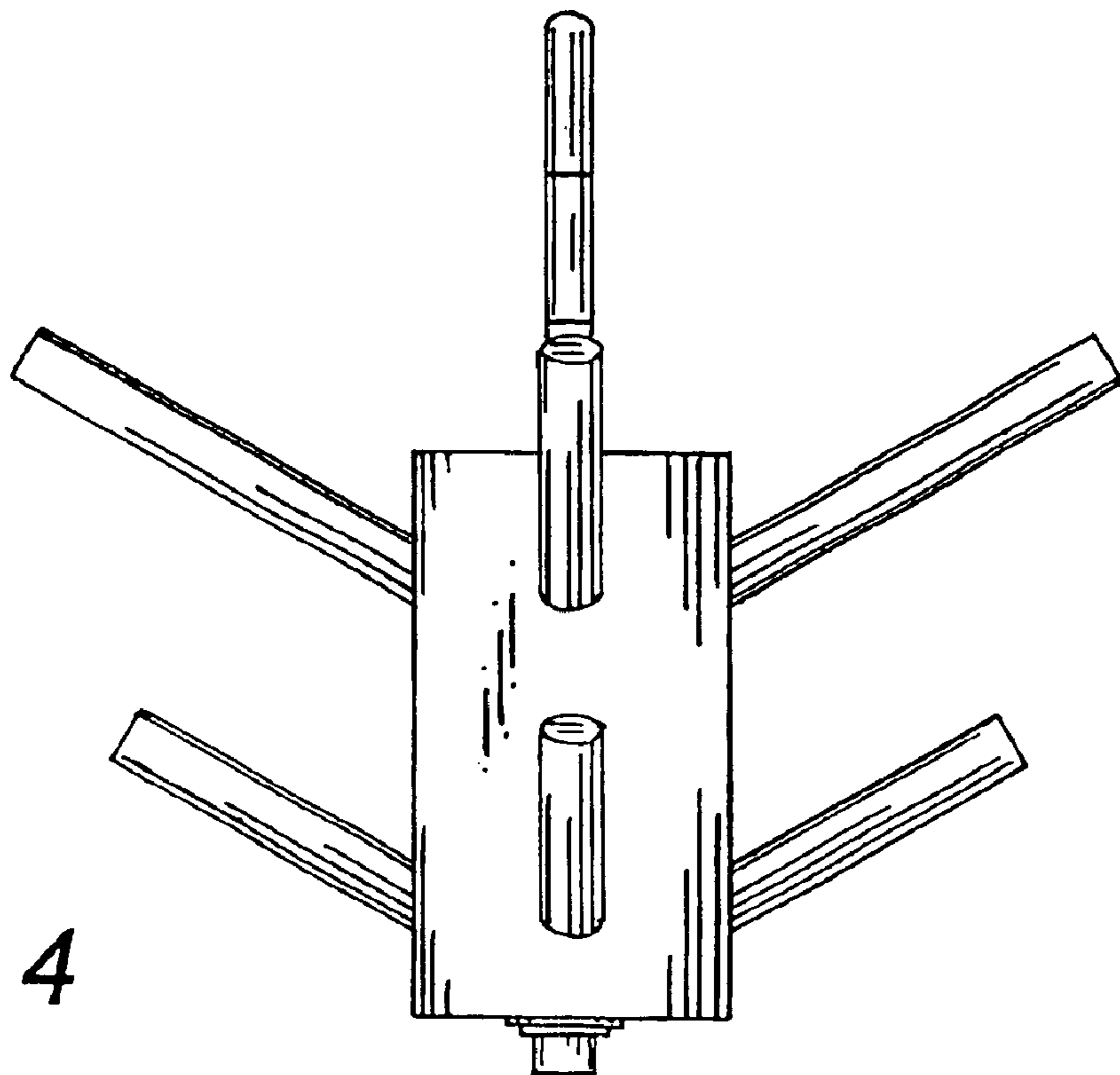


Fig. 4

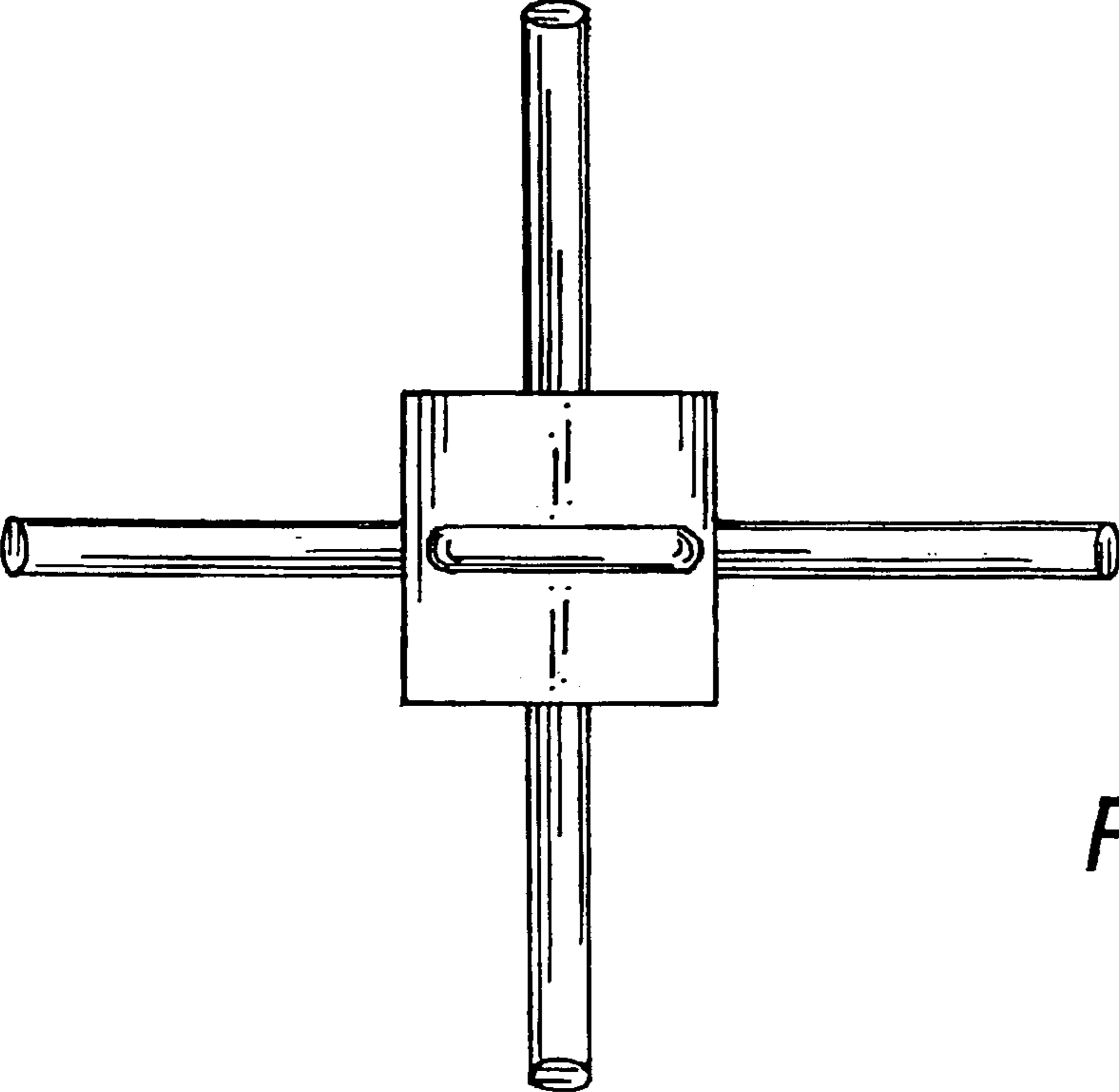


Fig. 5

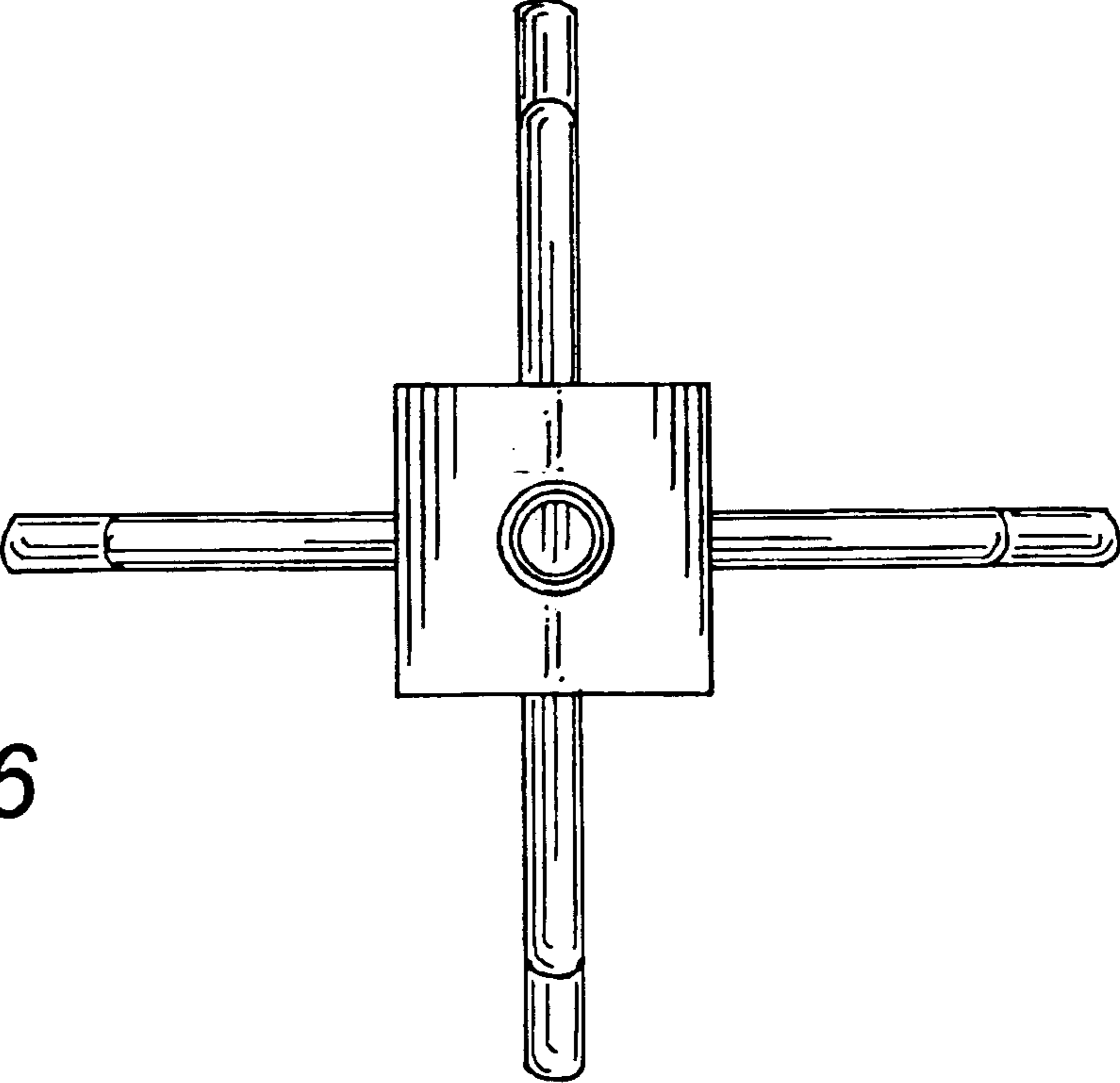


Fig. 6