

US00D503284S

(12) **United States Design Patent**
Fields

(10) **Patent No.:** **US D503,284 S**

(45) **Date of Patent:** **** Mar. 29, 2005**

(54) **WALL PLATE**

(75) **Inventor:** **Betsy Ellen Fields**, Silverton, CO (US)

(73) **Assignee:** **Liberty Hardware Mfg. Corp.**,
Winston-Salem, NC (US)

(**) **Term:** **14 Years**

(21) **Appl. No.:** **29/194,340**

(22) **Filed:** **Nov. 21, 2003**

(51) **LOC (7) Cl.** **11-05**

(52) **U.S. Cl.** **D5/353**

(58) **Field of Search** D8/350-353; D13/171,
D13/169, 158, 174; D10/108, 123, 125;
174/66, 67

(56) **References Cited**

U.S. PATENT DOCUMENTS

D256,985 S	*	9/1980	Creamer et al.	D8/353
D276,976 S	*	1/1985	Tegner	D8/351
D476,549 S	*	7/2003	Shaw	D8/353
D484,392 S	*	12/2003	Mayo et al.	D8/353

* cited by examiner

Primary Examiner—Stella Reid
Assistant Examiner—Mark A. Goodwin

(74) *Attorney, Agent, or Firm*—Edgar A. Zarins; Lloyd D. Doigan

(57) **CLAIM**

The ornamental design for a wall plate, as shown and described.

DESCRIPTION

FIG. 1 is a perspective view of a wall plate showing my new design;

FIG. 2 is a front elevational view thereof;

FIG. 3 is a right side view thereof, the opposite side being a mirror image of the side shown;

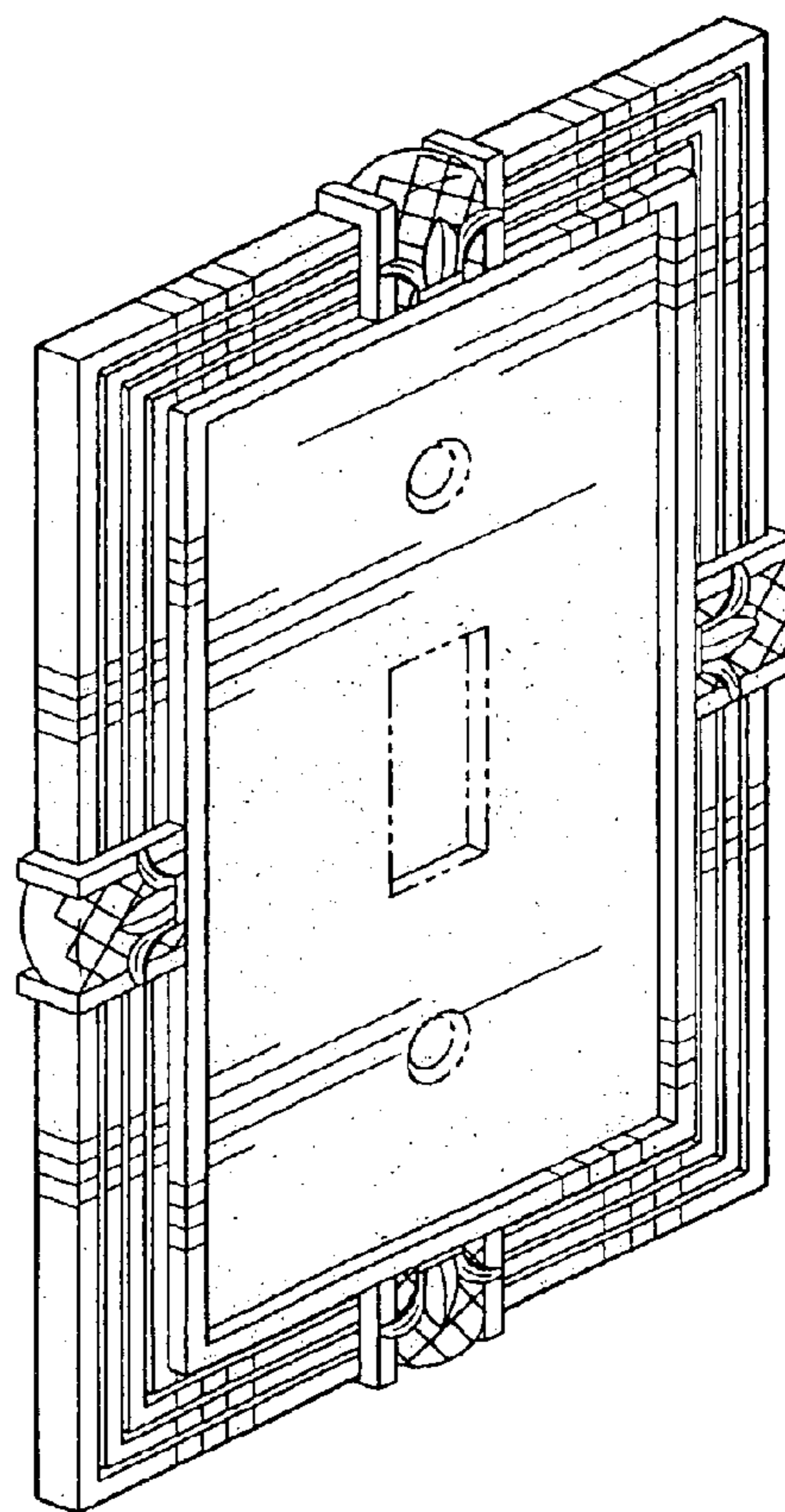
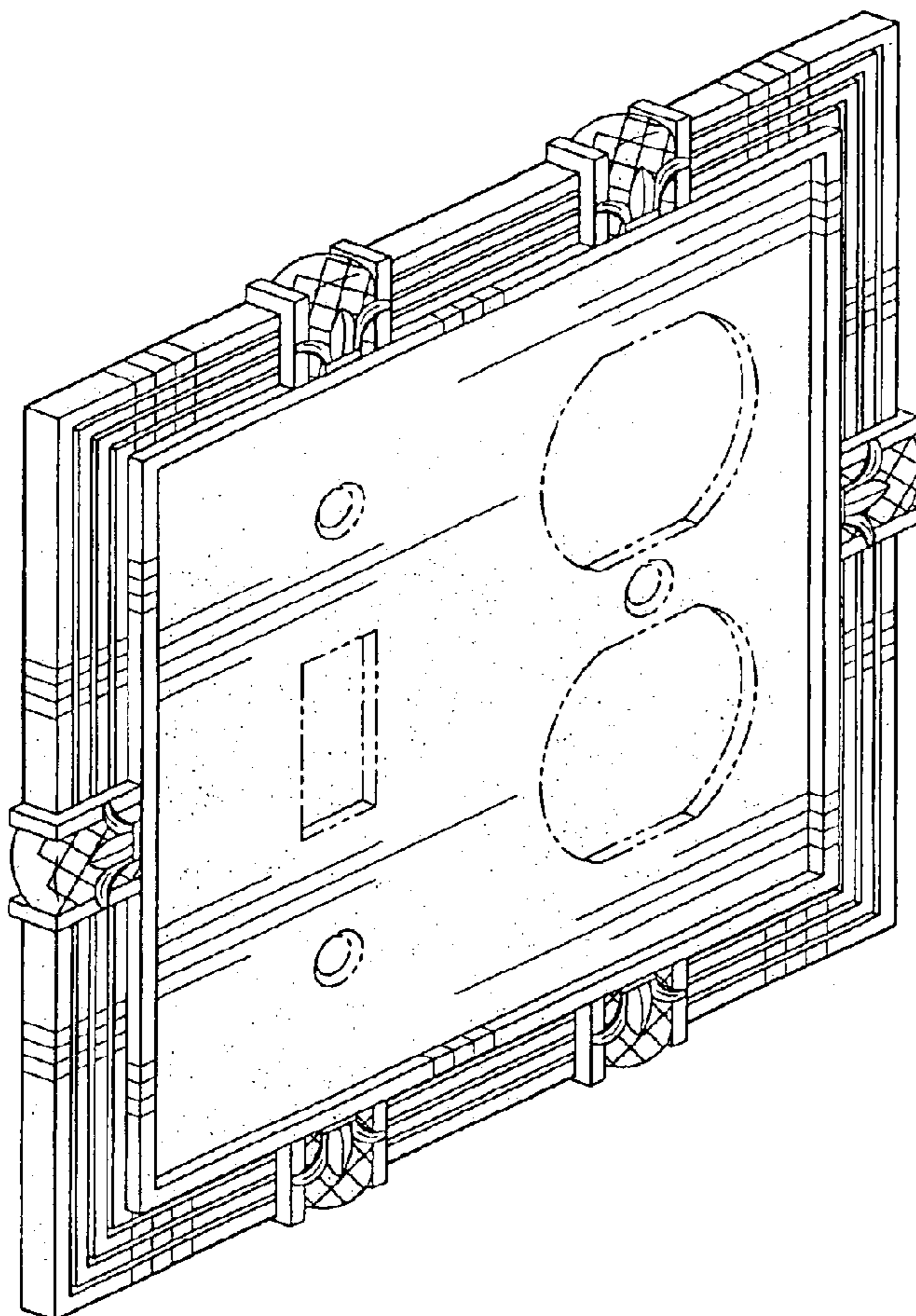
FIG. 4 is a top end view thereof, the opposite end being a mirror image of the end shown;

FIG. 5 is a perspective view of an alternative embodiment thereof;

FIG. 6 is a front elevational view thereof; and,

FIG. 7 is a top end view thereof, the opposite end being a mirror image of the end shown.

1 Claim, 4 Drawing Sheets



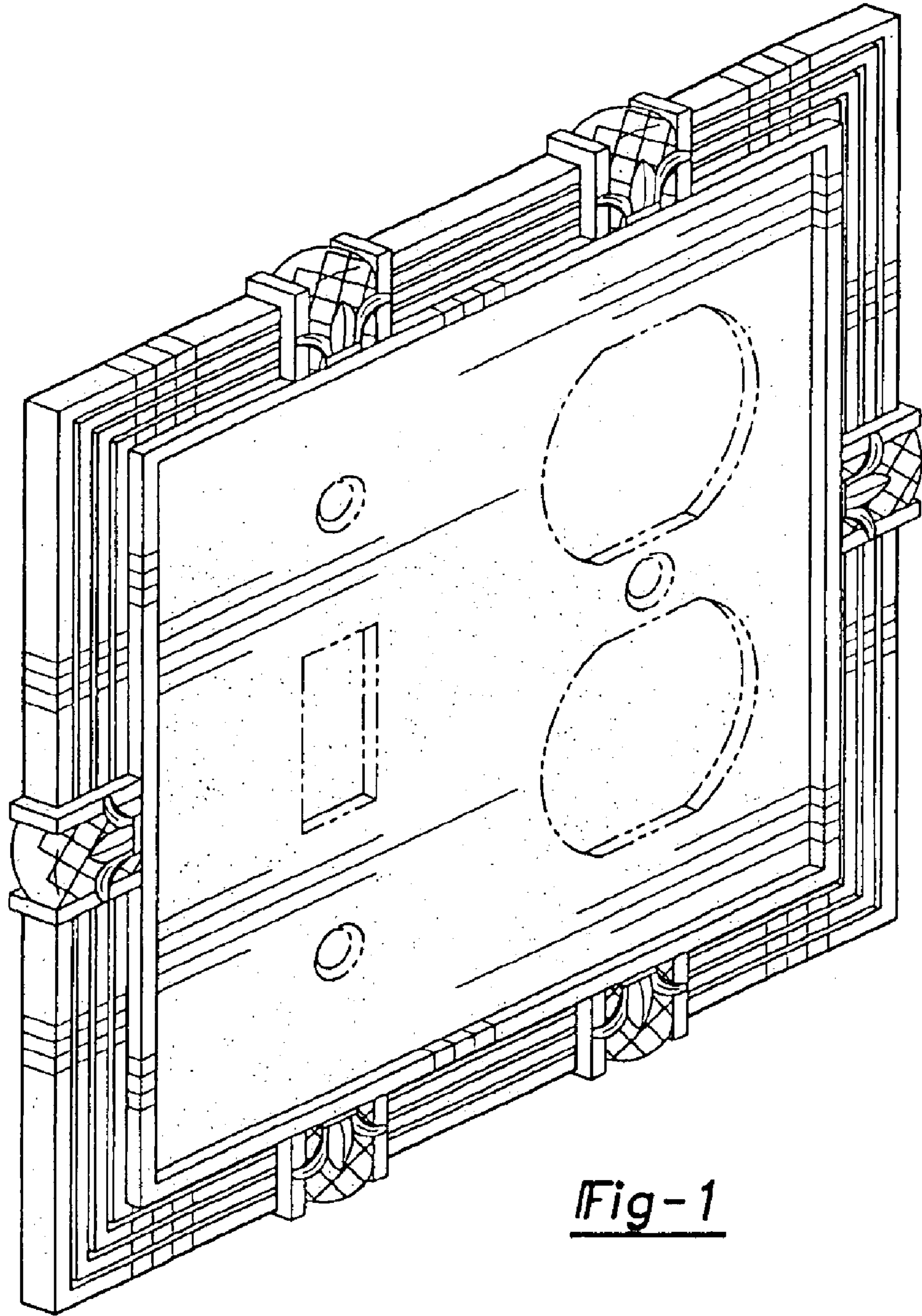


Fig-1

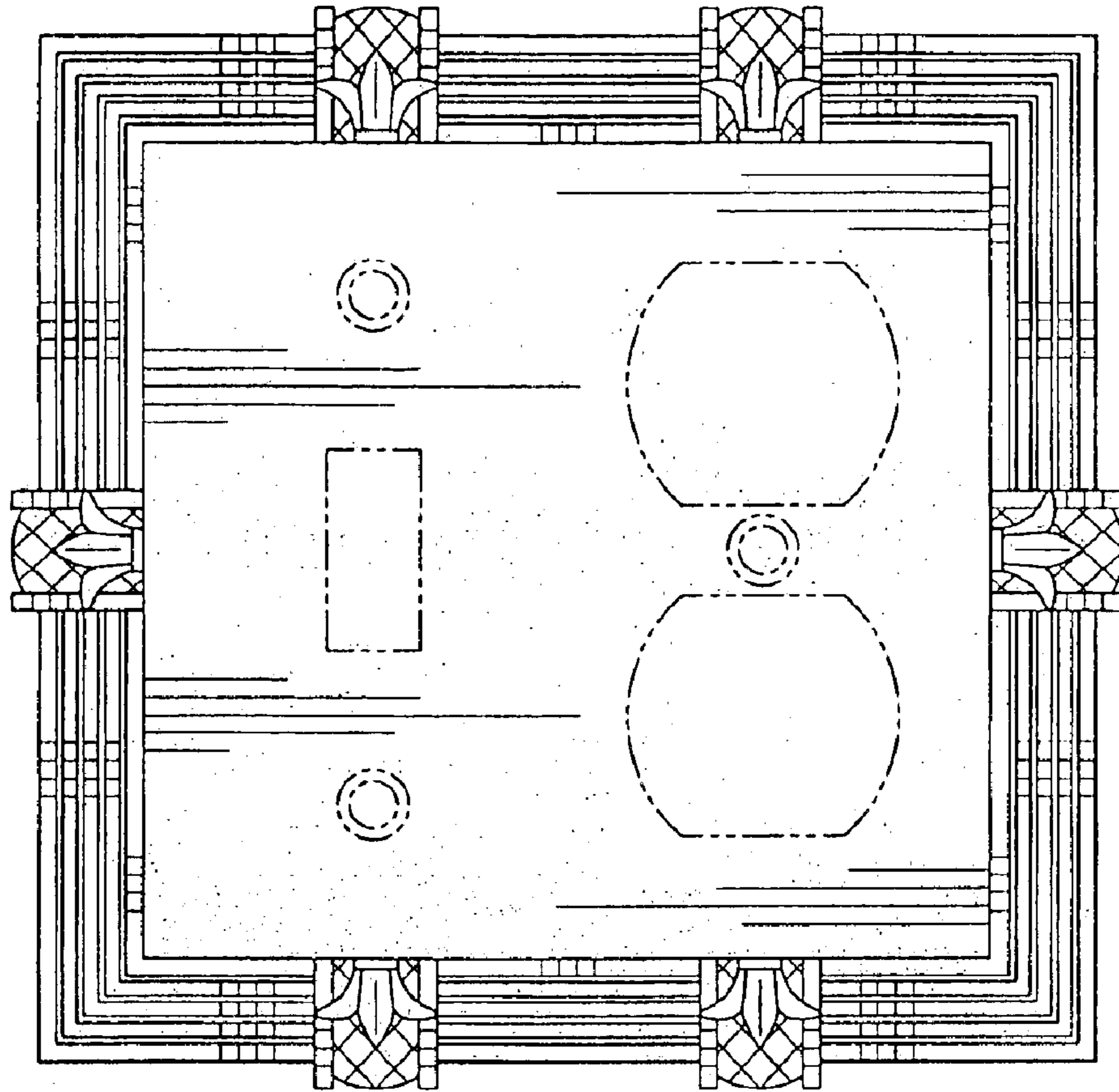


Fig-2



Fig-3



Fig-4

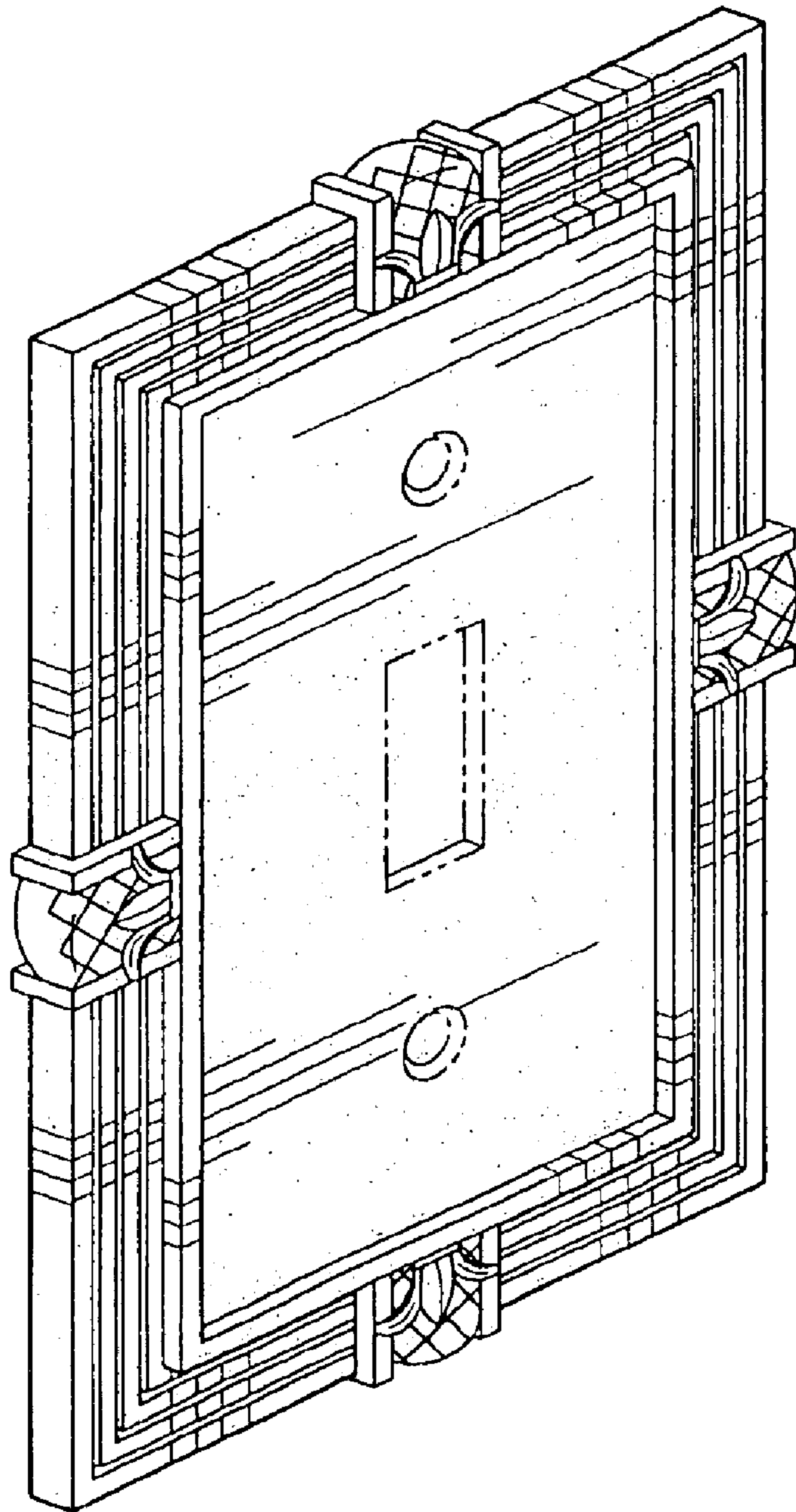


Fig-5

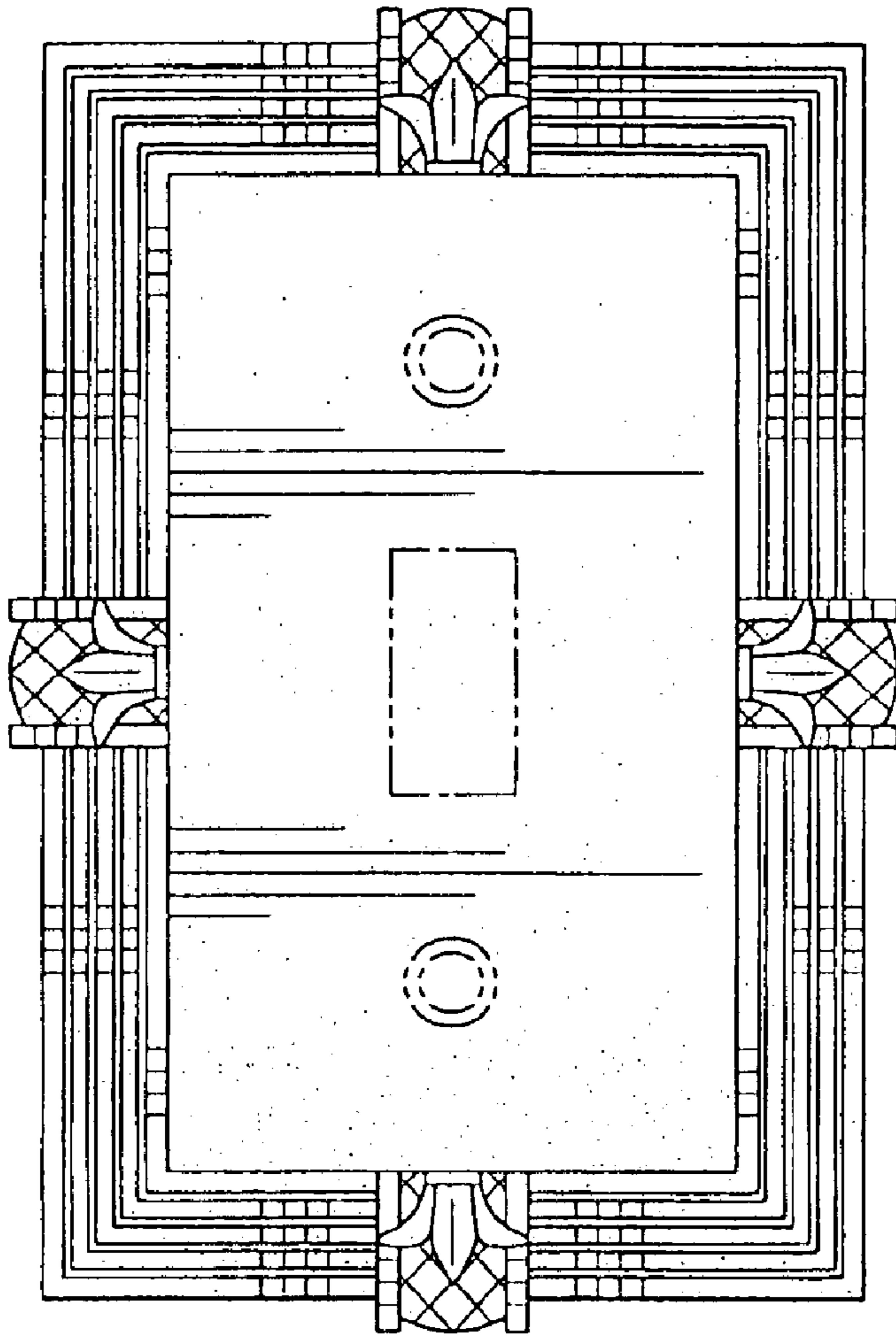


Fig-6



Fig-7