

US00D503280S

(12) **United States Design Patent**
Eberwein et al.

(10) **Patent No.: US D503,280 S**

(45) **Date of Patent: ** Mar. 29, 2005**

(54) **SUPPLY BOX**

(75) Inventors: **Brian T. Eberwein**, Madison, WI (US);
Christa R. Walter, Lake Mills, WI
(US)

(73) Assignee: **Berol Corporation**, Freeport, IL (US)

(**) Term: **14 Years**

(21) Appl. No.: **29/155,927**

(22) Filed: **Feb. 20, 2002**

(51) **LOC (7) Cl.** **03-01**

(52) **U.S. Cl.** **D3/321**

(58) **Field of Search** D3/201, 206, 273,
D3/282, 294, 302, 318, 321; D9/420, 424,
422, 429, 431, 428; D19/35, 78, 82, 83;
206/1.7, 214, 724, 371, 372, 565, 575;
220/528, 608

(56) **References Cited**

U.S. PATENT DOCUMENTS

D45,257 S	*	2/1914	Hasburg	D19/35
D330,914 S		11/1992	Muller	19/77
D335,896 S		5/1993	Evenson	19/83
D355,360 S		2/1995	Mund et al.	9/423
D371,962 S		7/1996	Petruzzi	9/423
D397,870 S	*	9/1998	De Winter	D3/294
D411,040 S		6/1999	Gilbertsom et al.	3/294
D443,761 S		6/2001	Lindeman et al.	3/273
D447,633 S		9/2001	Demsien et al.	3/294

D463,912 S	*	10/2002	Liebe	D3/294
D474,014 S	*	5/2003	Barnard et al.	D3/206
D476,810 S	*	7/2003	Liebe	D3/273
D480,873 S	*	10/2003	Eberwein et al.	D3/321

OTHER PUBLICATIONS

Dollar Tree Schoolbox, Plastic Pencil Box sold by Dollar Tree Distributors of Chesapeake, VA, purchased Sep. 19, 2001 at Dollar Tree store.

* cited by examiner

Primary Examiner—Louis S. Zarfes

Assistant Examiner—Monica A. Weingart

(74) *Attorney, Agent, or Firm*—Marshall, Gerstein & Borun LLP

(57) **CLAIM**

We claim the ornamental design for a supply box, as shown and described.

DESCRIPTION

FIG. 1 is a perspective view of a supply box showing our new design;

FIG. 2 is a top plan view of the supply box of FIG. 1;

FIG. 3 is an elevational front view of the supply box of FIG. 1; and,

FIG. 4 is an elevational rear view of the supply box of FIG. 1.

The broken line showing of a supply box is for illustrative purposes only and forms no part of the claimed design.

1 Claim, 2 Drawing Sheets

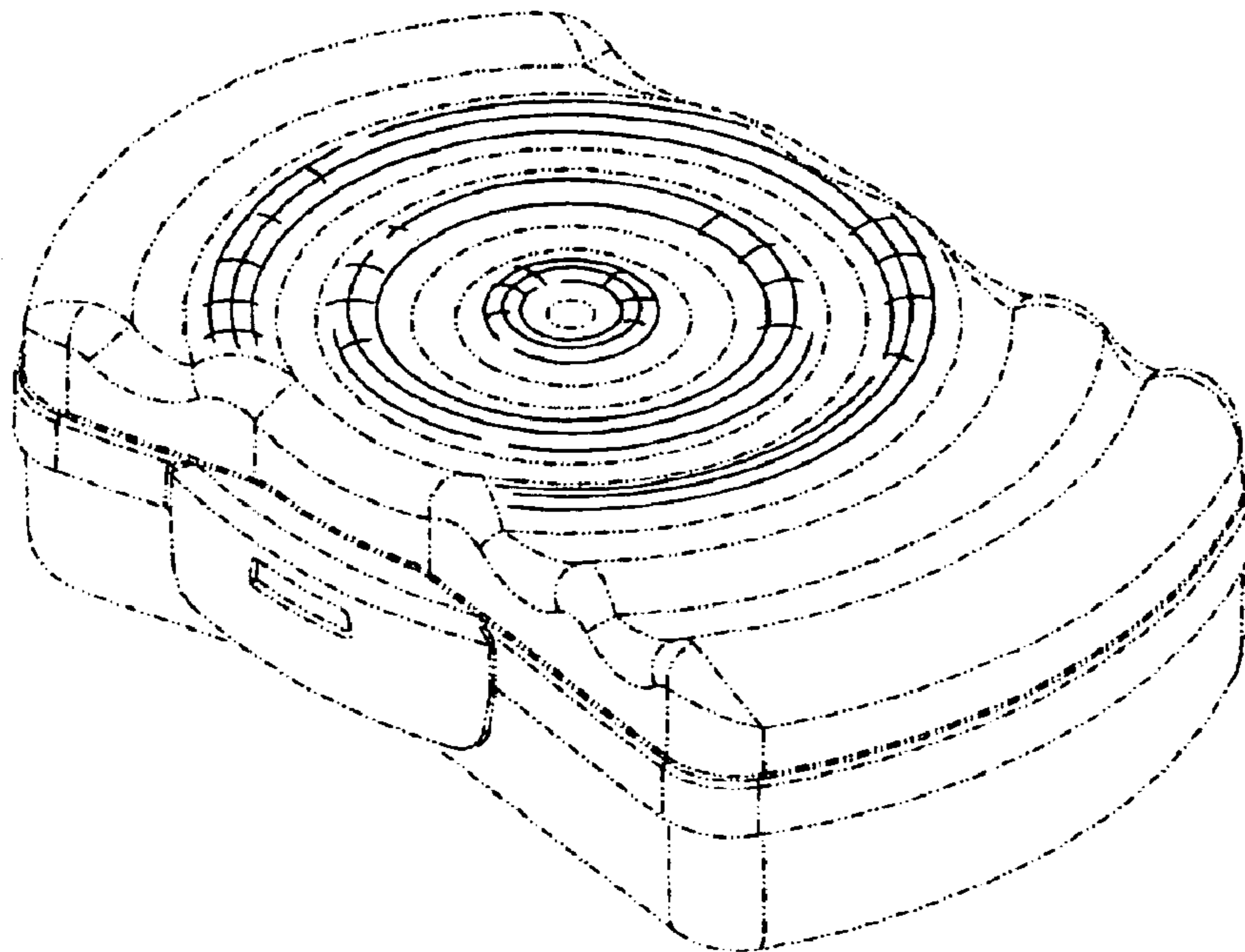


FIG. 1

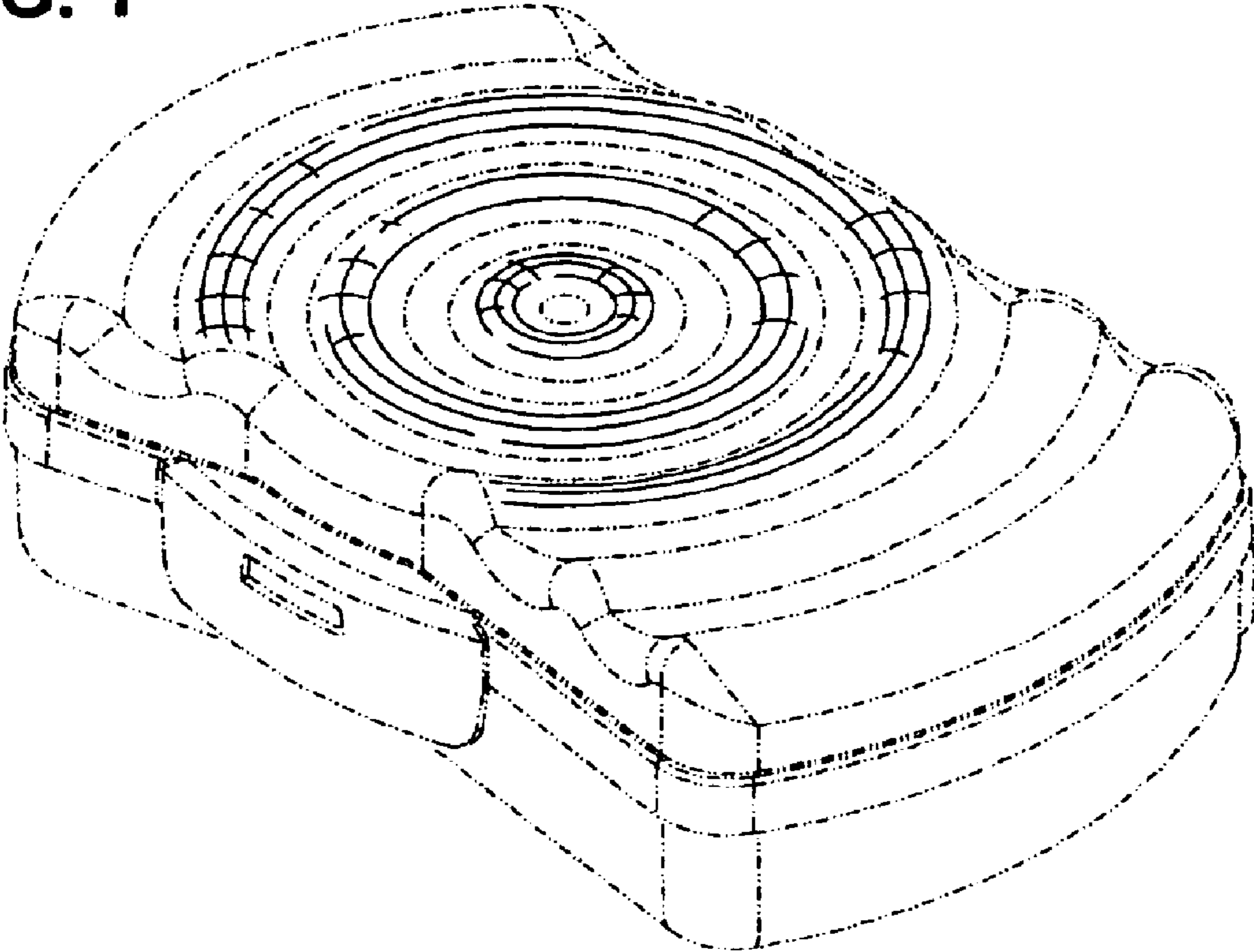


FIG. 2

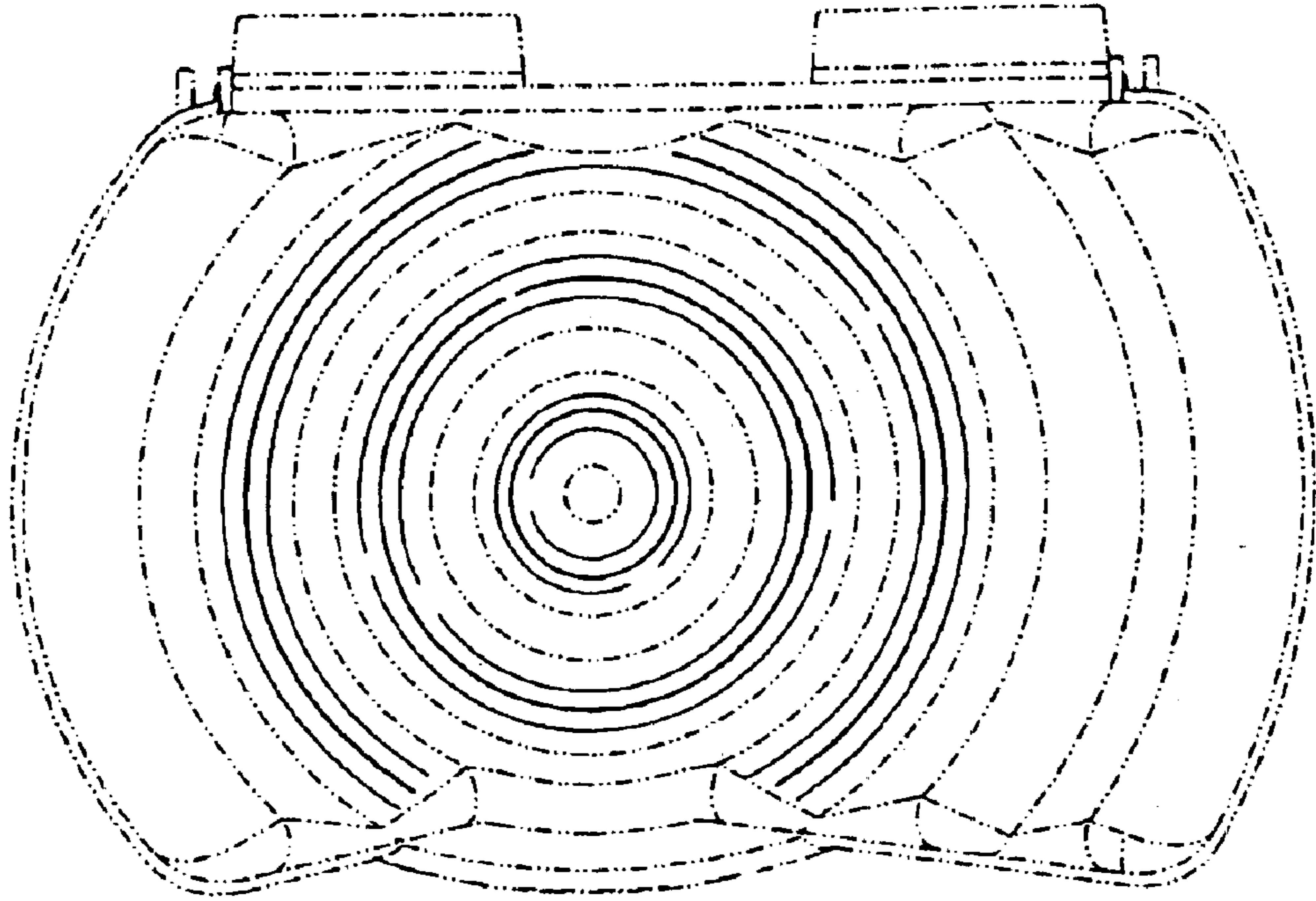


FIG. 3

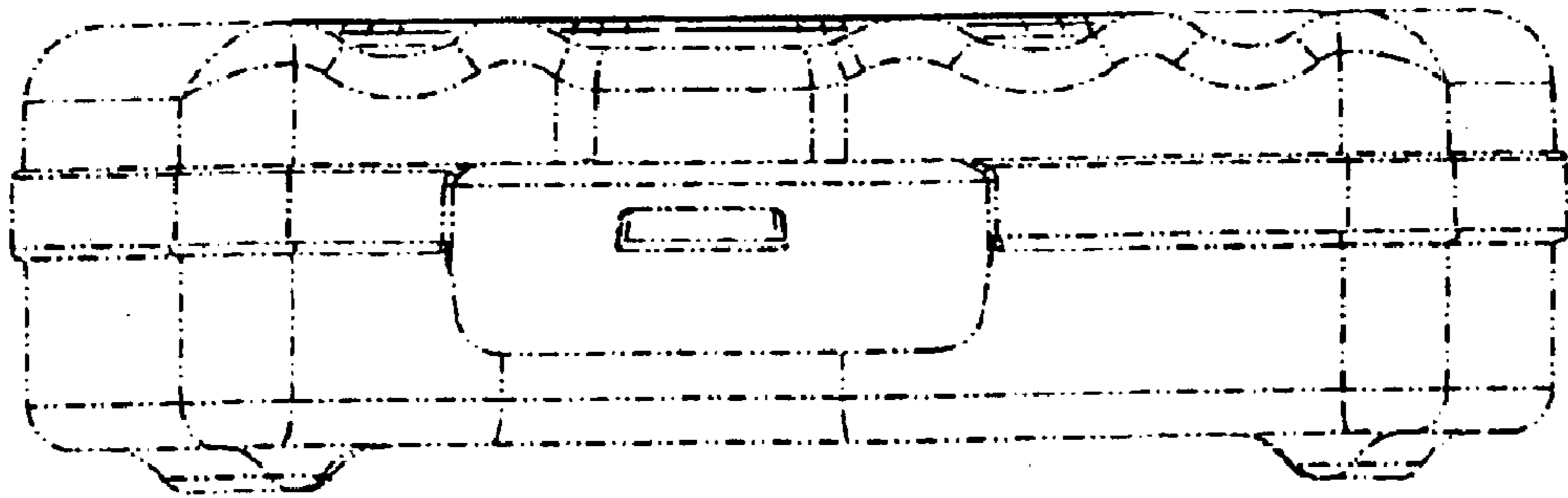


FIG. 4

