

US00D503277S

(12) **United States Design Patent**
Nachazel

(10) **Patent No.:** **US D503,277 S**
(45) **Date of Patent:** **** Mar. 29, 2005**

(54) **SURVEYOR BAG**
(76) **Inventor:** **Mark S. Nachazel**, 320 Canterbury Way, Apt. #3, Oxnard, CA (US) 93033

5,772,090 A * 6/1998 Rodriguez 224/251
D467,418 S * 12/2002 Perron D3/229
D495,875 S * 9/2004 Spence, Jr. D3/229

* cited by examiner

(**) **Term:** **14 Years**

Primary Examiner—Catherine R. Oliver
(74) *Attorney, Agent, or Firm*—Kelly, Lowry & Kelley, LLP

(21) **Appl. No.:** **29/203,938**

(22) **Filed:** **Apr. 20, 2004**

(57) **CLAIM**

(51) **LOC (7) Cl.** **03-01**

The ornamental design for a surveyor bag, as shown.

(52) **U.S. Cl.** **D3/229; D3/228**

(58) **Field of Search** D3/229, 228, 215,
D3/202, 221; D7/605–608; 224/251, 268–269,
620–621, 651

DESCRIPTION

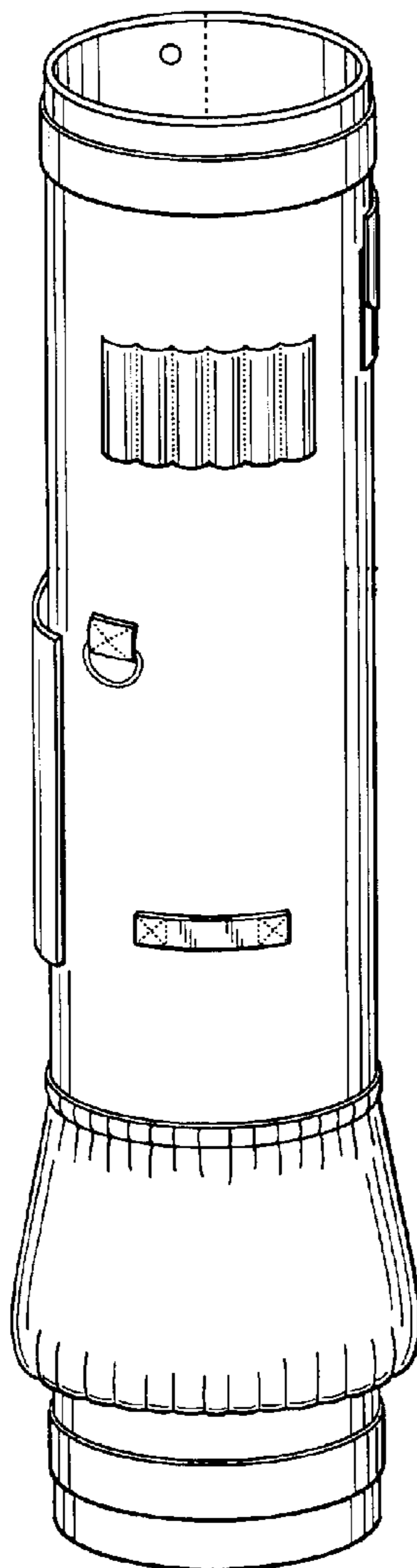
FIG. 1 is a top and front perspective view of a surveyor bag embodying my new design;
FIG. 2 is a rear-end top perspective view thereof;
FIG. 3 is a top and right perspective view thereof; and,
FIG. 4 is a left and top left-side perspective view thereof.

(56) **References Cited**

U.S. PATENT DOCUMENTS

D381,805 S * 8/1997 Case D3/229

1 Claim, 2 Drawing Sheets



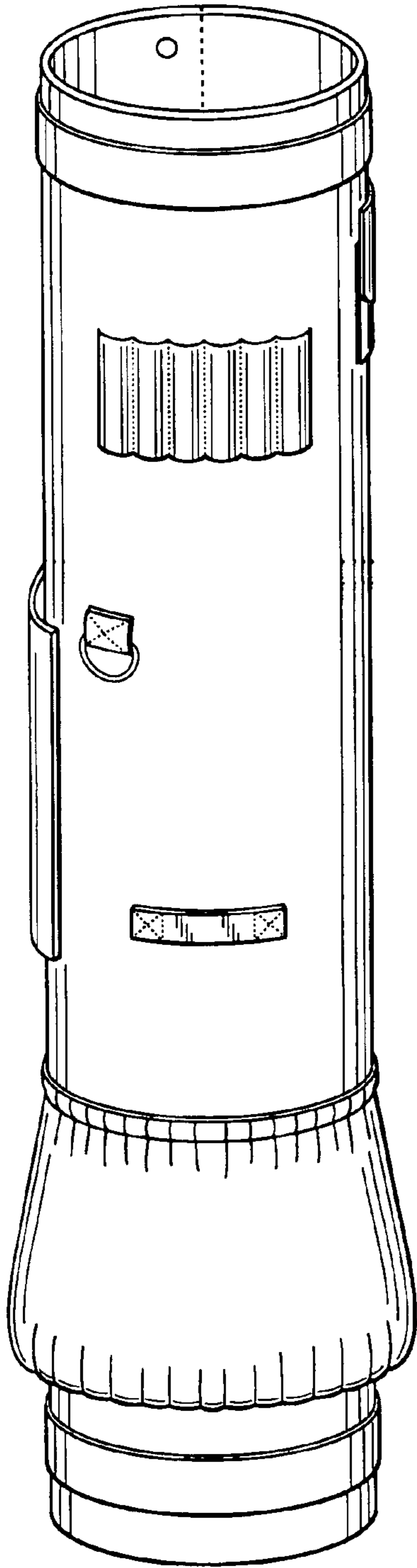


FIG. 1

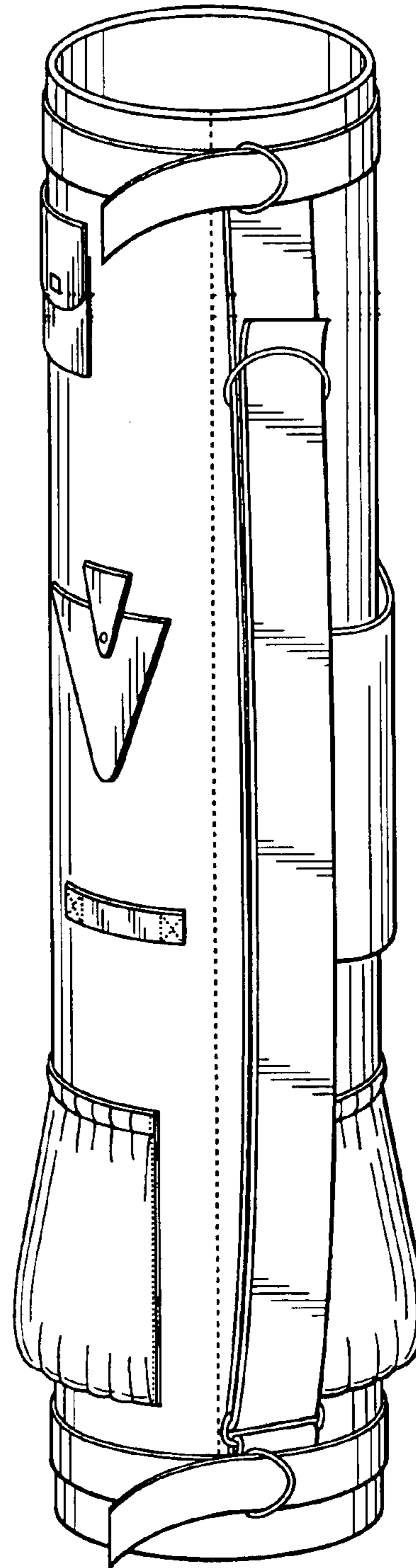


FIG. 2

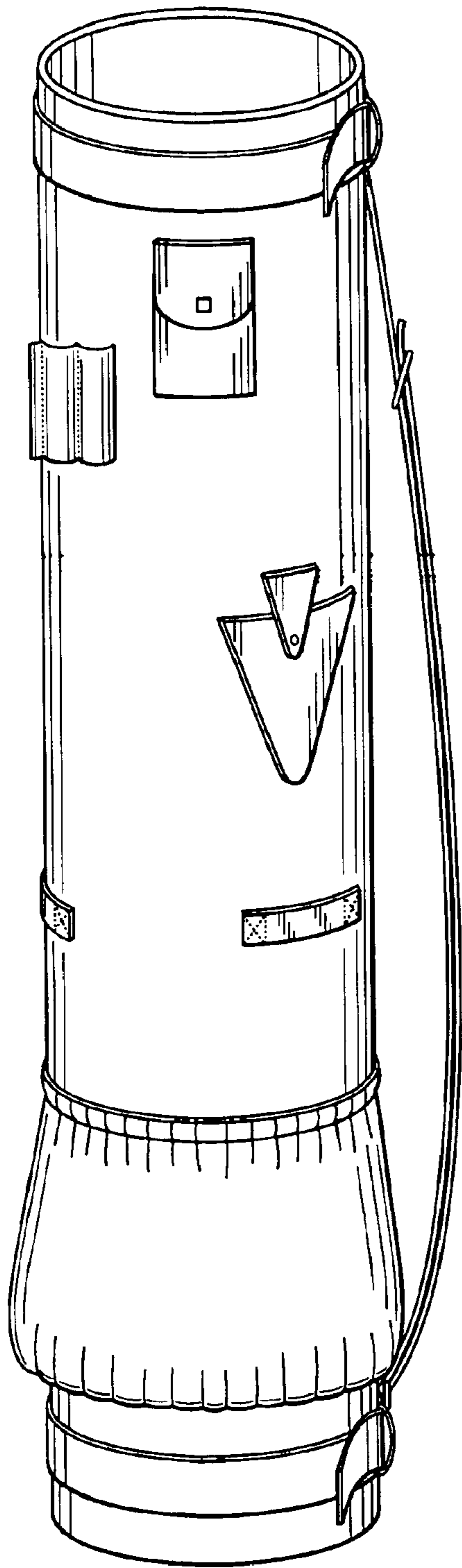


FIG. 3

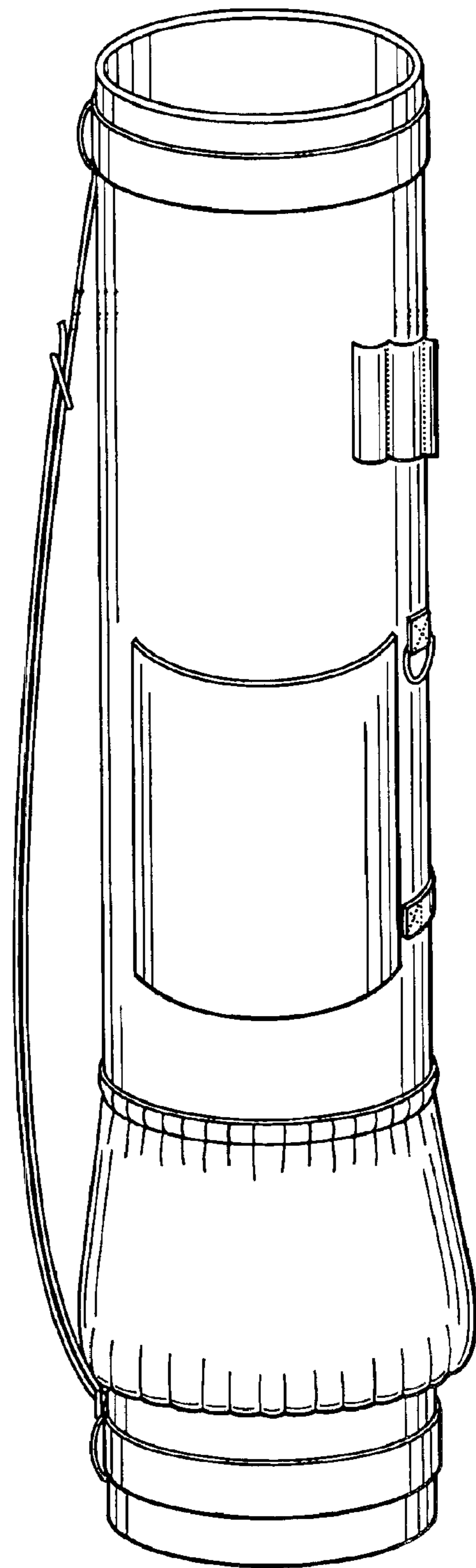


FIG. 4