



US00D503250S

(12) **United States Design Patent**
Choi

(10) **Patent No.:** **US D503,250 S**
(45) **Date of Patent:** **** Mar. 22, 2005**

(54) **VACUUM CLEANER**

(75) **Inventor:** **Kyu Kwan Choi, Kyunggi-do (KR)**

(73) **Assignee:** **LG Electronics Inc., Seoul (KR)**

(**) **Term:** **14 Years**

(21) **Appl. No.:** **29/191,232**

(22) **Filed:** **Oct. 6, 2003**

(30) **Foreign Application Priority Data**

Apr. 7, 2003 (KR) 30-2003-0009518

(51) **LOC (7) Cl.** **15-05**

(52) **U.S. Cl.** **D32/21**

(58) **Field of Search** D32/21-24, 31-33;
15/320-323, 347, 350-354, 361, 366, 383,
410, 412, 415.1, 416-422.1, 327.1-327.7;
55/DIG. 3; 134/18, 21

(56) **References Cited**

U.S. PATENT DOCUMENTS

D338,293 S * 8/1993 Kojima et al. D32/21
D394,528 S * 5/1998 Pochopien et al. D32/21
D403,475 S * 12/1998 Mehaffey et al. D32/21

D416,362 S * 11/1999 Lin D32/21
D417,323 S * 11/1999 Fujita et al. D32/21
D446,363 S * 8/2001 Sato et al. D32/21
D493,585 S * 7/2004 Choi D32/21
D493,586 S * 7/2004 Choi D32/21

* cited by examiner

Primary Examiner—Ruth McInroy

(74) *Attorney, Agent, or Firm*—Birch, Stewart, Kolasch & Birch, LLP

(57) **CLAIM**

The ornamental design for vacuum cleaner, as shown and described.

DESCRIPTION

FIG. 1 is a perspective view of a vacuum cleaner showing my new design;
FIG. 2 is a front view thereof;
FIG. 3 is a rear view thereof;
FIG. 4 is a left side view thereof, the right side being a mirror image;
FIG. 5 is a top plan view thereof; and,
FIG. 6 is a bottom plan view thereof.

1 Claim, 5 Drawing Sheets

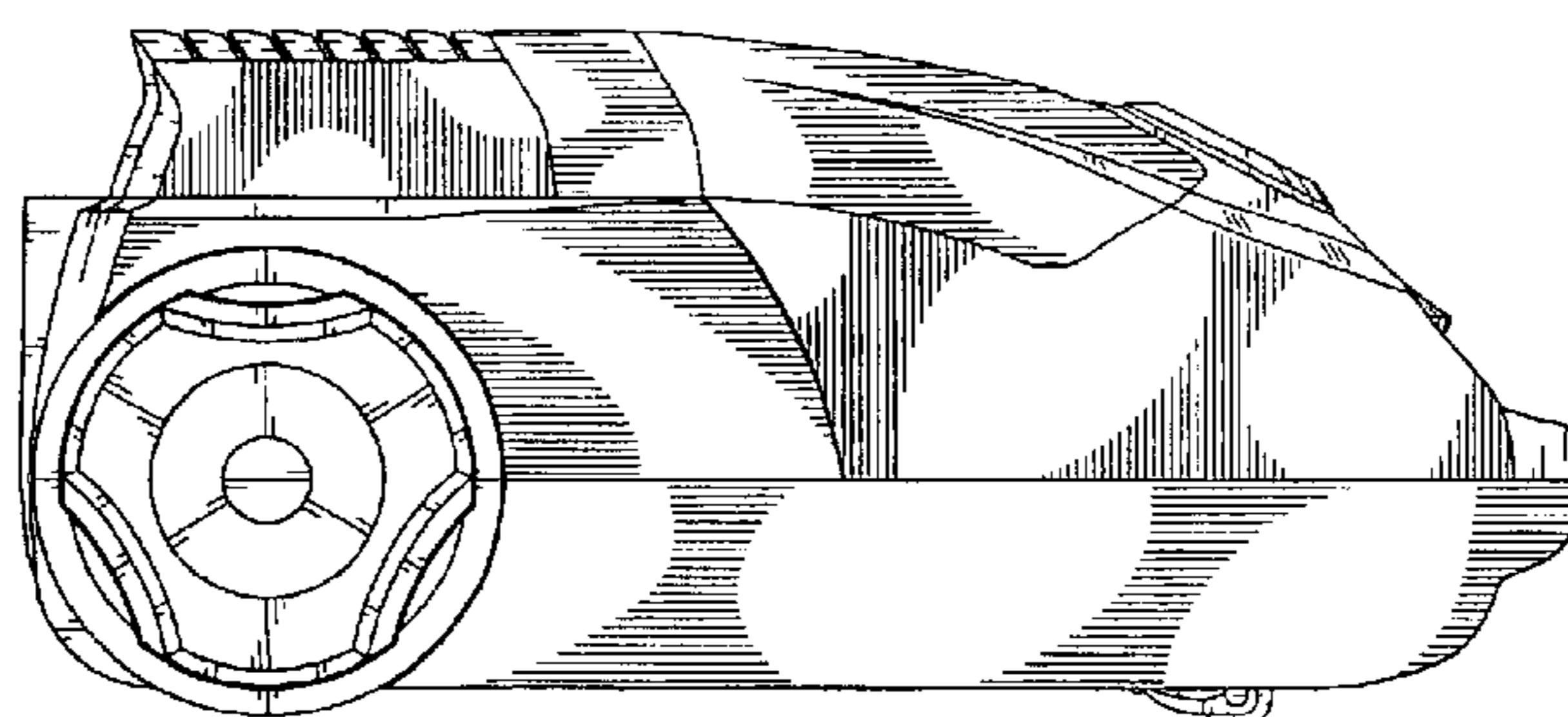
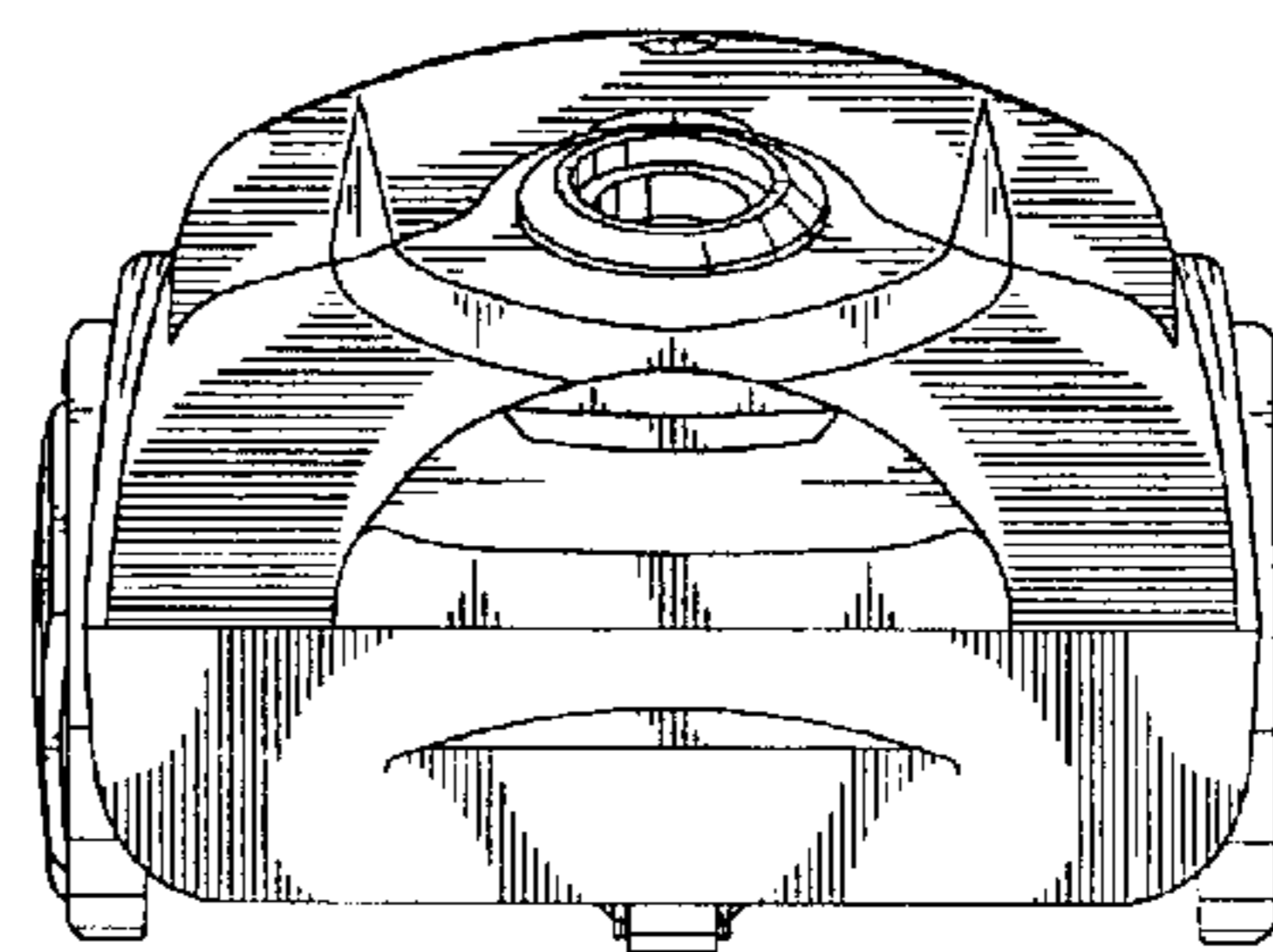
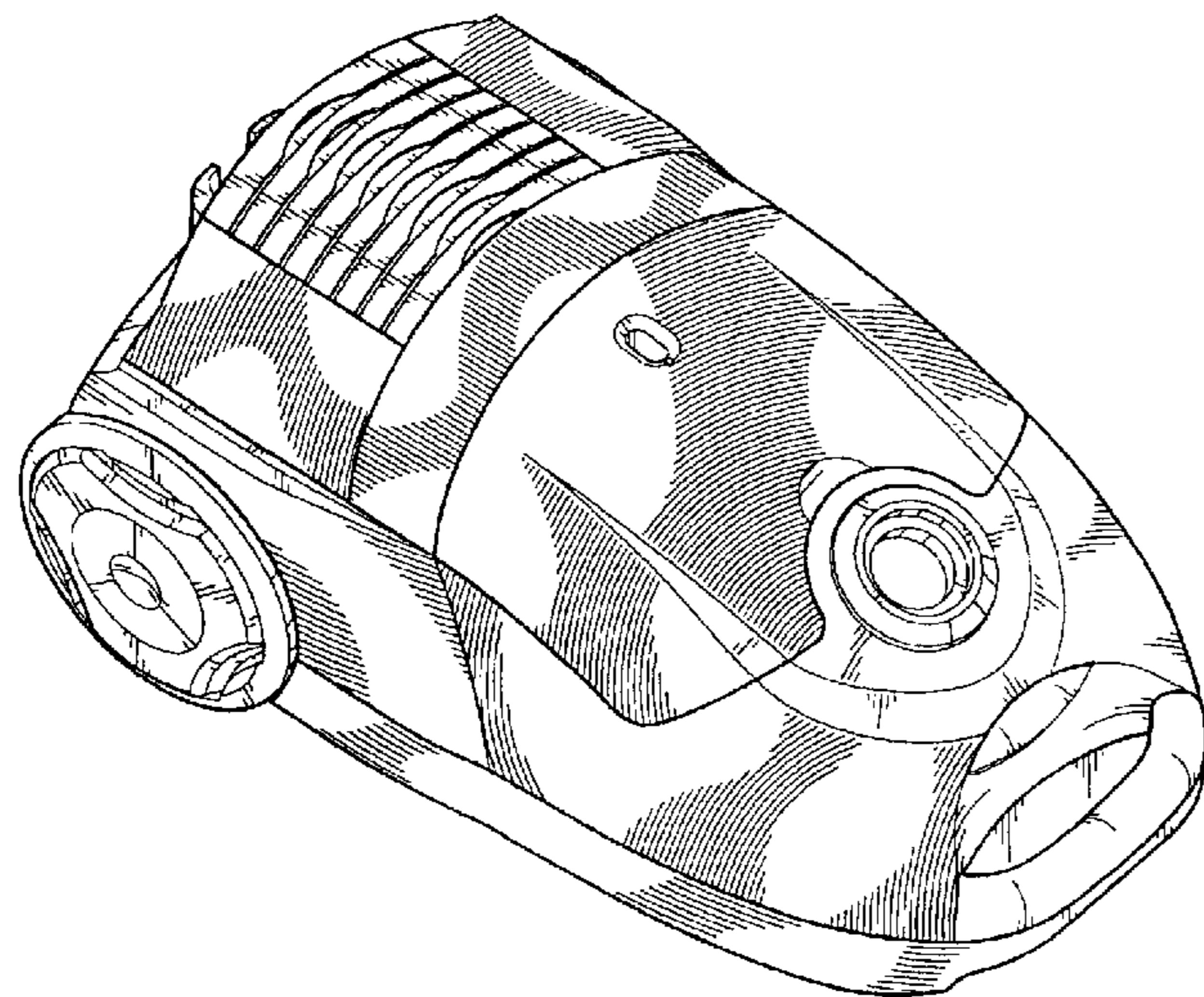


FIG. 1

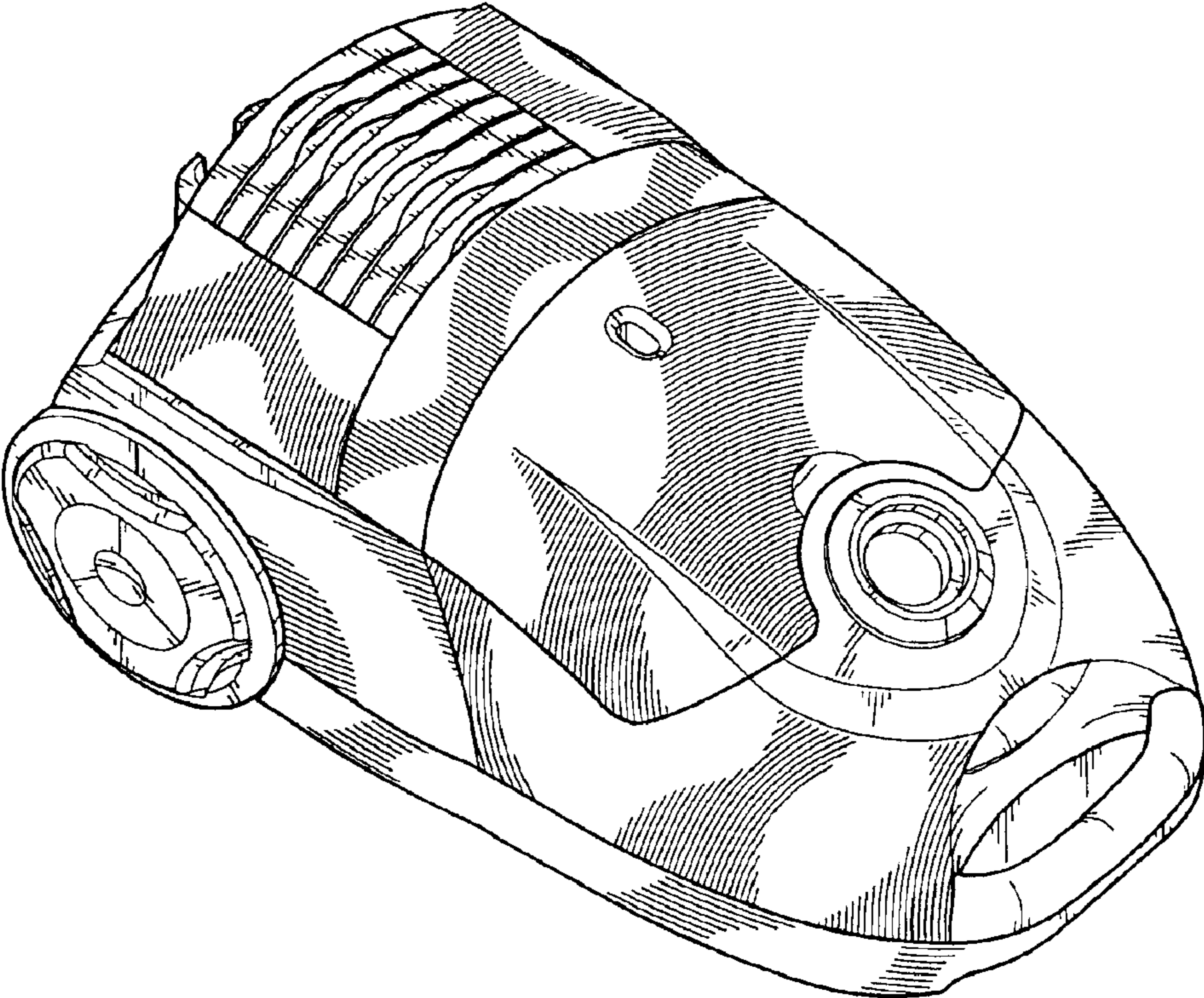


FIG. 2

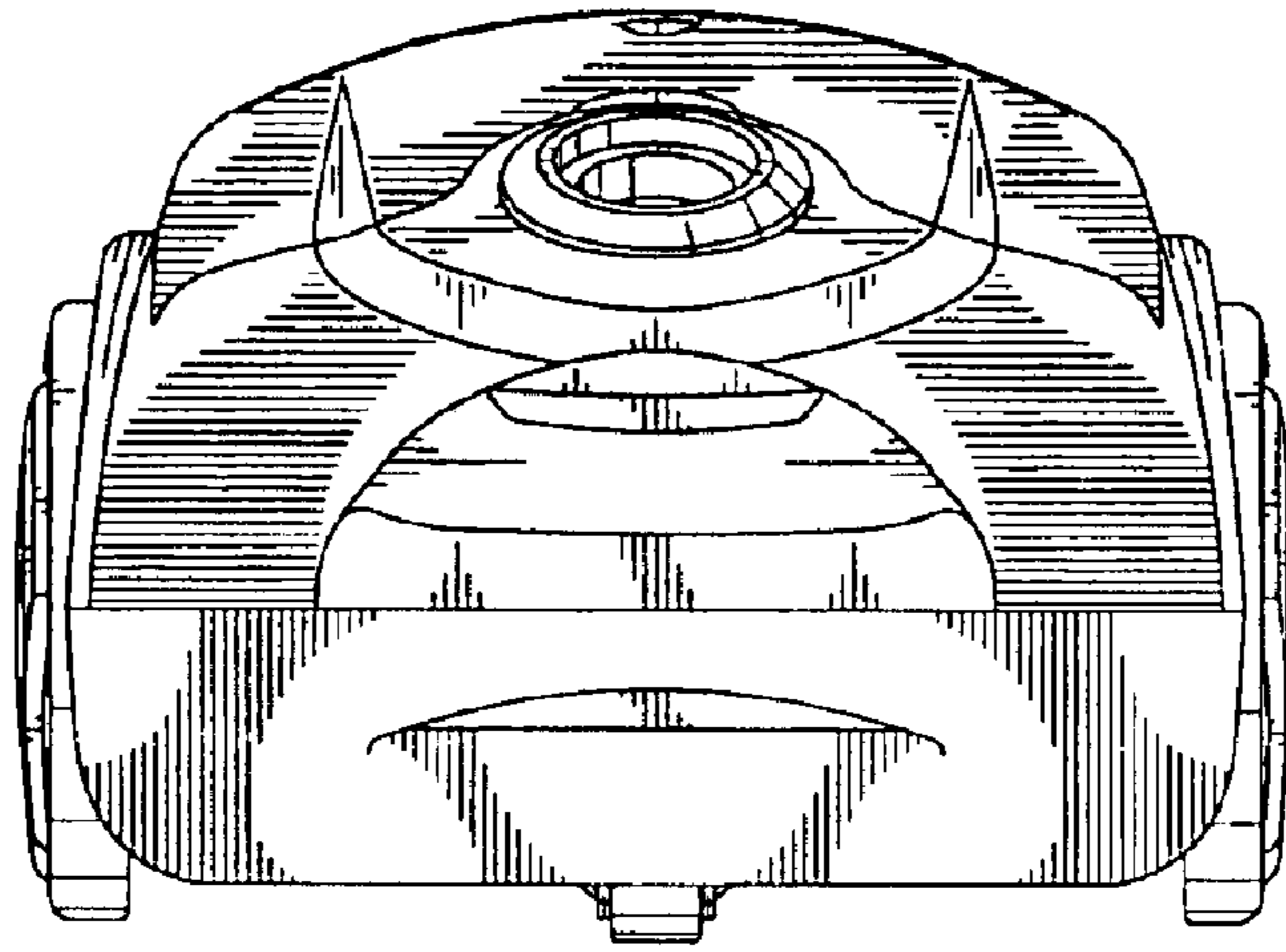


FIG. 3

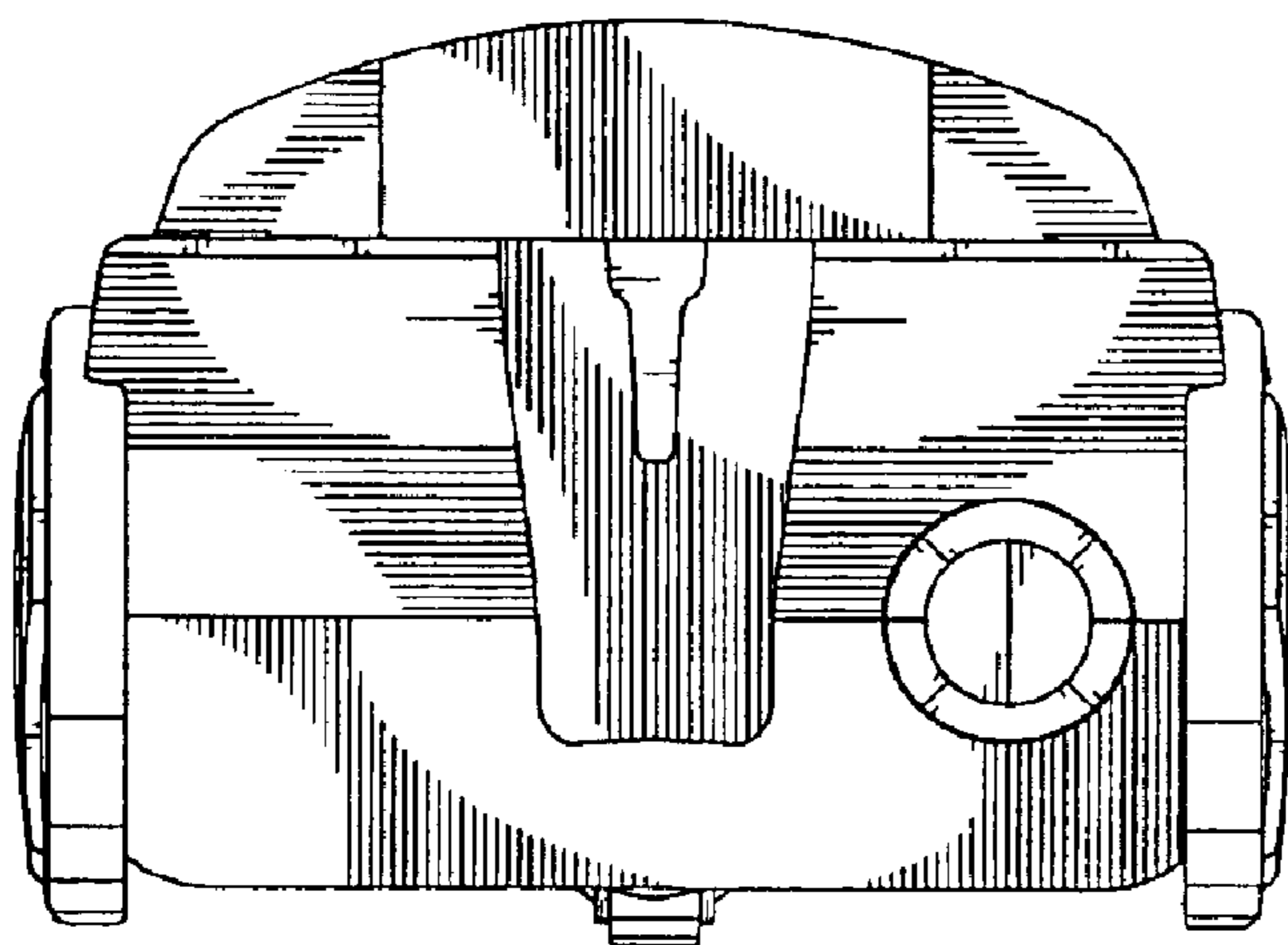


FIG. 4

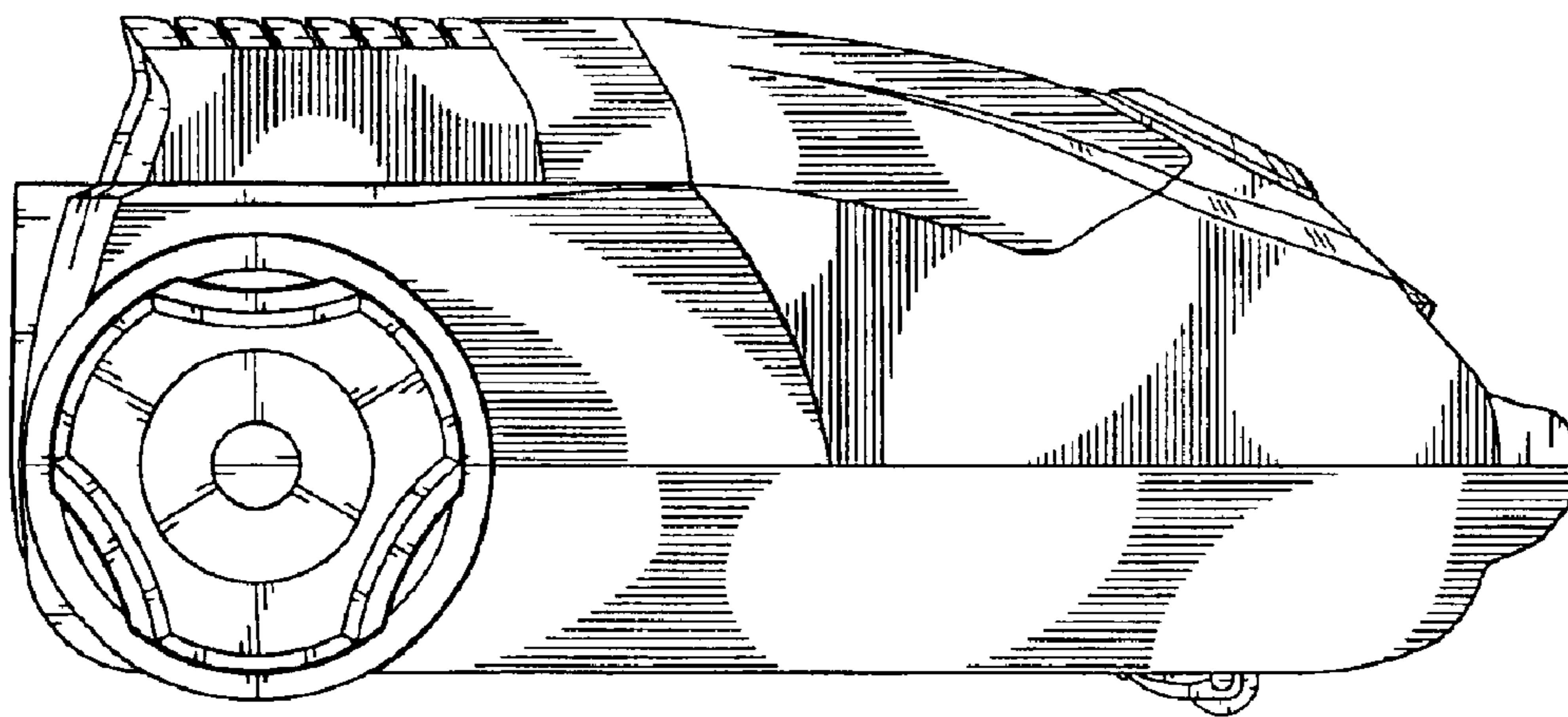


FIG. 5

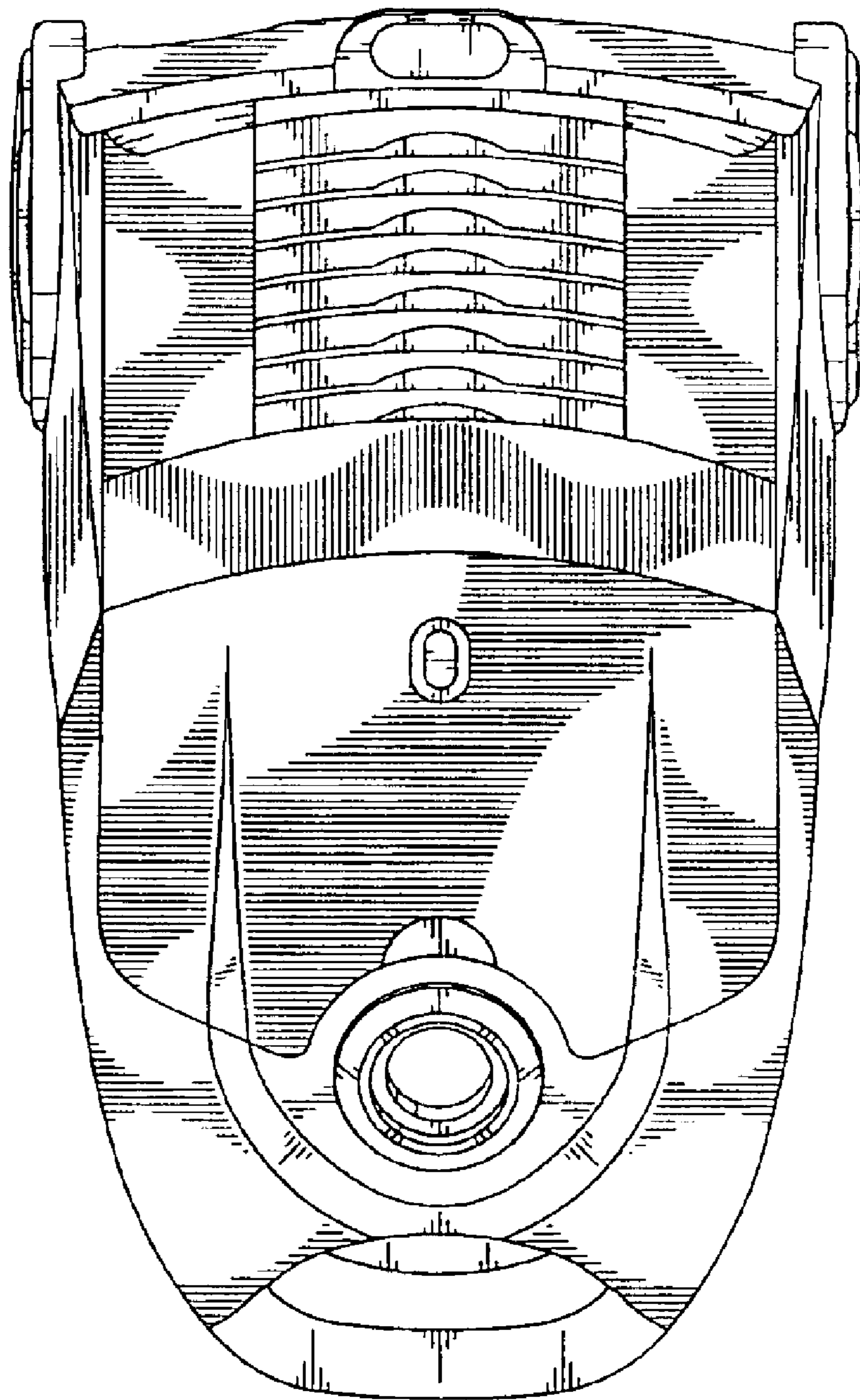


FIG. 6

