



US00D503245S

(12) **United States Design Patent**
Vanoncini

(10) **Patent No.:** **US D503,245 S**
(45) **Date of Patent:** **** Mar. 22, 2005**

- (54) **BOX FOR COSMETICS**
- (75) Inventor: **Stefano Vanoncini**, Olgiate Molgora (IT)
- (73) Assignee: **Brivaplast S.R.L.**, Milan (IT)
- (**) Term: **14 Years**
- (21) Appl. No.: **29/208,527**
- (22) Filed: **Jun. 30, 2004**
- (30) **Foreign Application Priority Data**
Feb. 16, 2004 (EM) 141247
- (51) **LOC (7) Cl.** **28-02**
- (52) **U.S. Cl.** **D28/78; D28/83**
- (58) **Field of Search** D28/76-84, 91;
132/293-307, 313-318, 320; 206/581, 823
- (56) **References Cited**
U.S. PATENT DOCUMENTS
5,819,764 A * 10/1998 Sussman 132/293

- D422,120 S * 3/2000 Orsomando D28/83
- D431,881 S * 10/2000 Gavin D28/78
- D462,809 S * 9/2002 LaSpina et al. D28/78
- D479,016 S * 8/2003 Sgariboldi D28/78

* cited by examiner

Primary Examiner—Jennifer Rivard
(74) *Attorney, Agent, or Firm*—Pearne & Gordon LLP

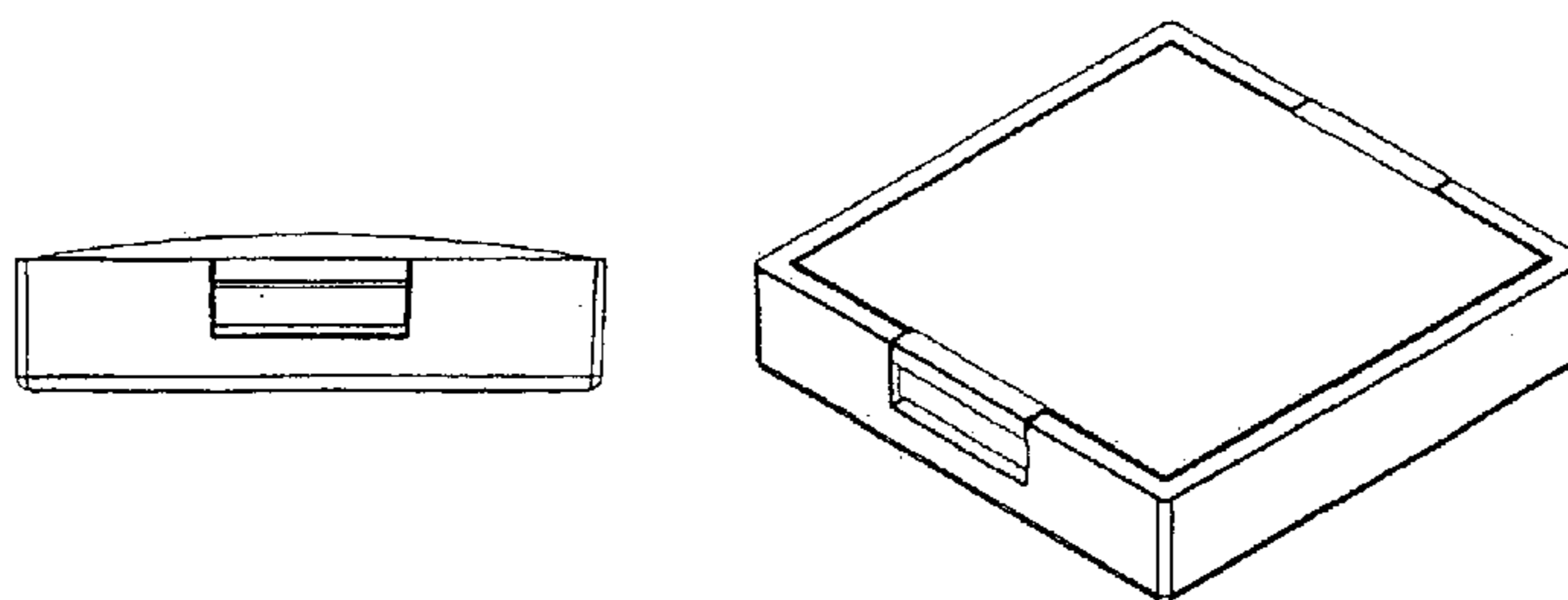
(57) **CLAIM**

The ornamental design for box for cosmetics, as shown and described.

DESCRIPTION

FIG. 1 is a rear elevational view of a box for cosmetics;
FIG. 2 is a top plan view of a box for cosmetics;
FIG. 3 is a front elevational view of a box for cosmetics;
FIG. 4 is a bottom plan view of a box for cosmetics;
FIG. 5 is a left side elevational view of a box for cosmetics;
FIG. 6 is a front, side and top perspective view of a box for cosmetics; and,
FIG. 7 is a right side elevational view of a box for cosmetics.

1 Claim, 1 Drawing Sheet



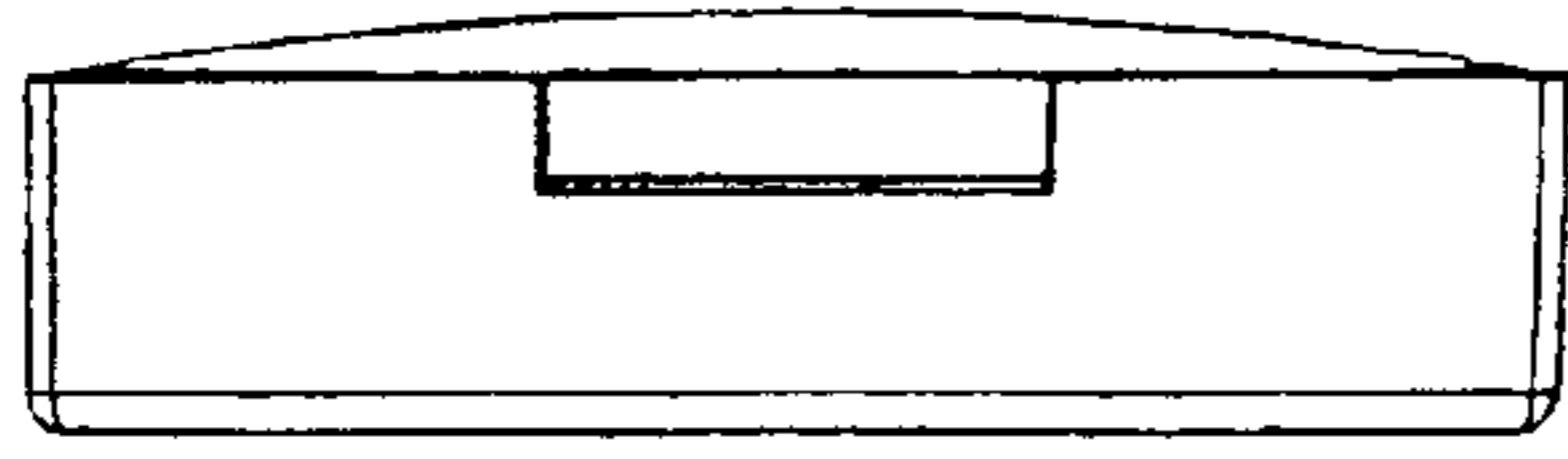


FIG. 1

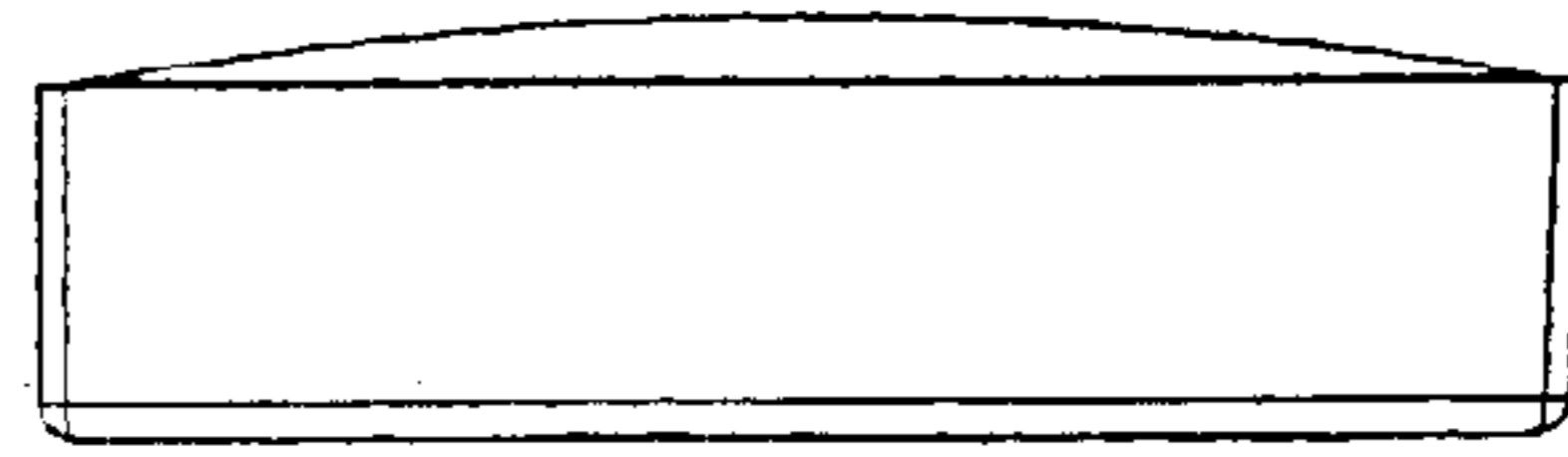


FIG. 5

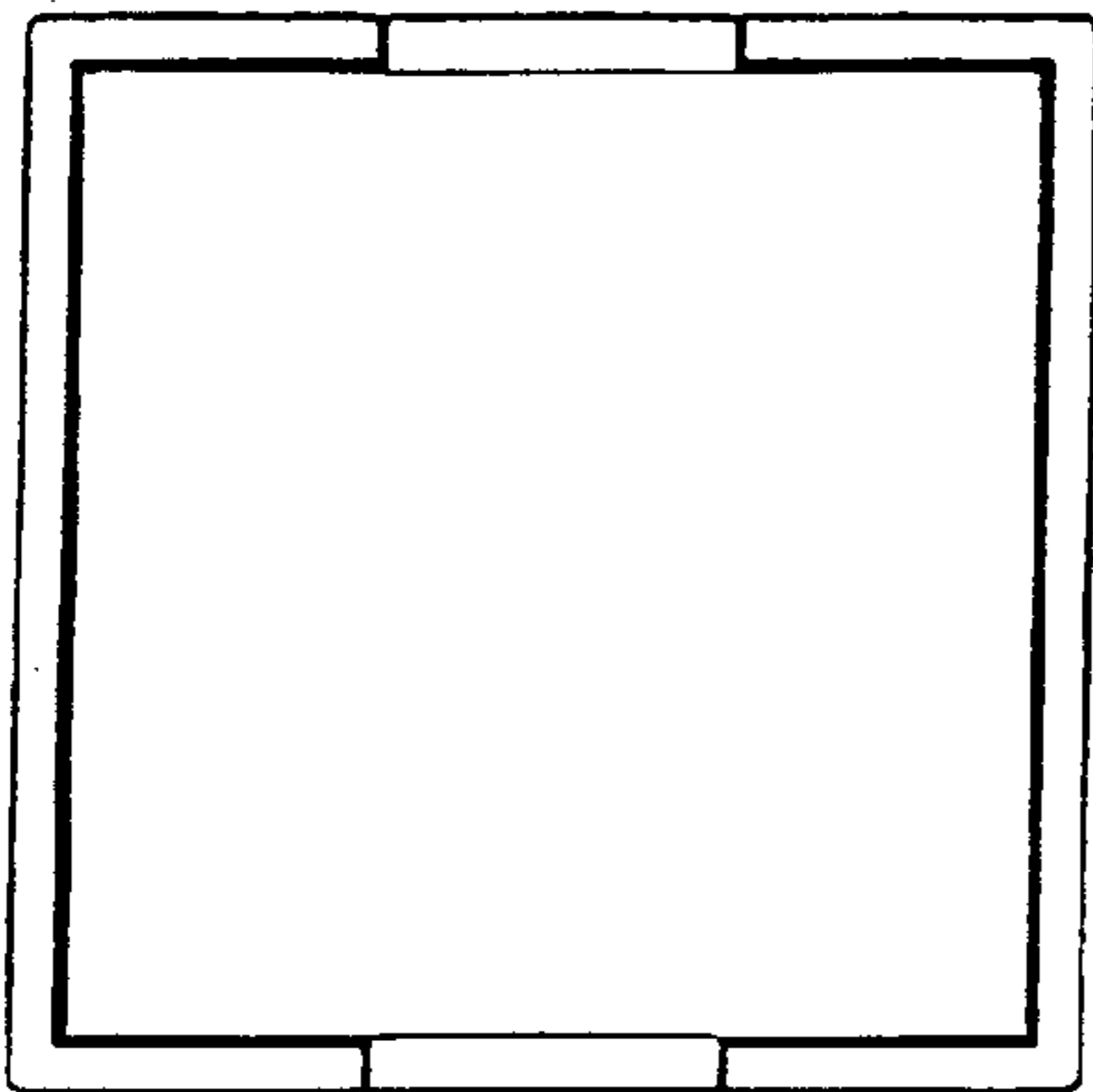


FIG. 2

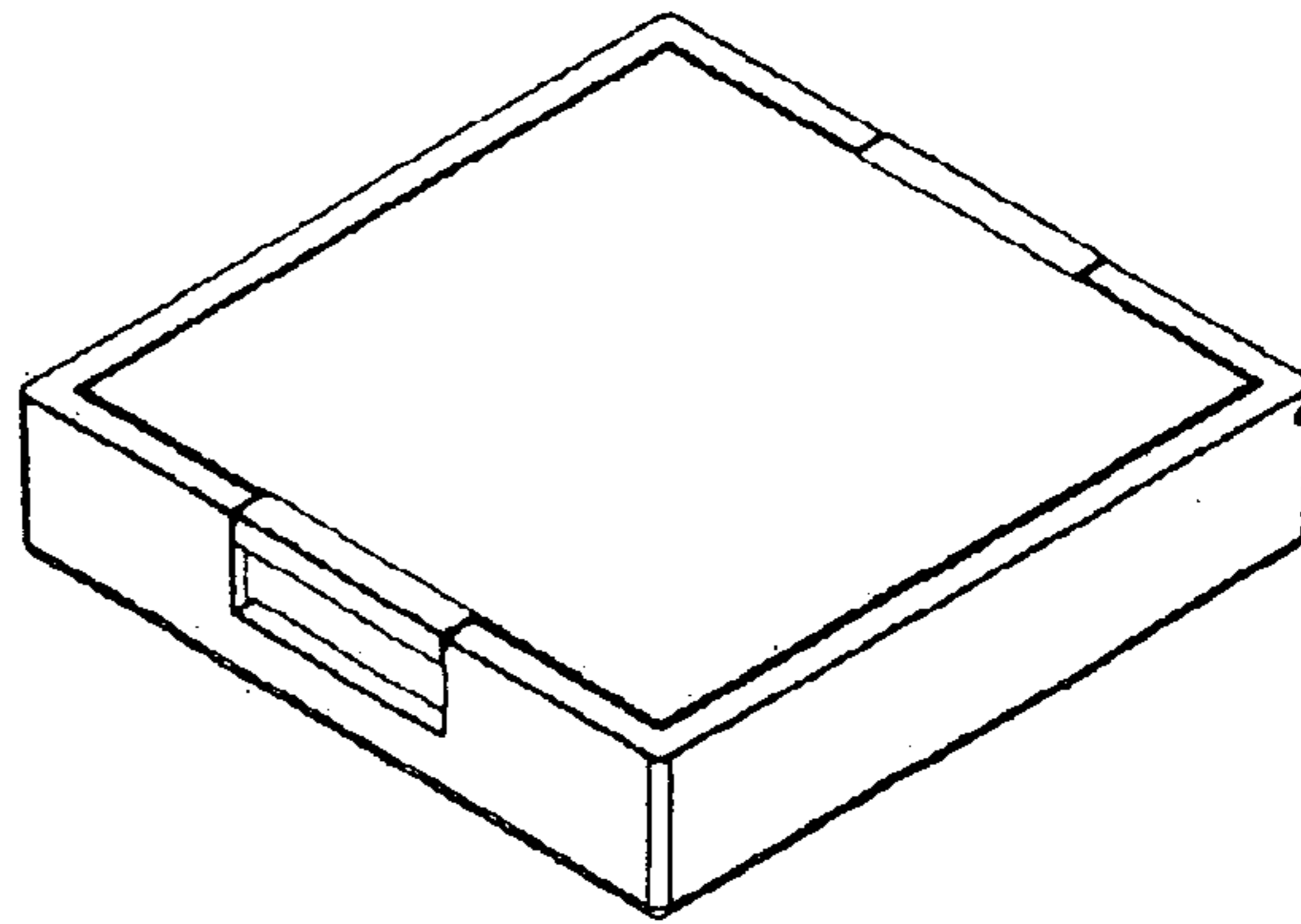


FIG. 6

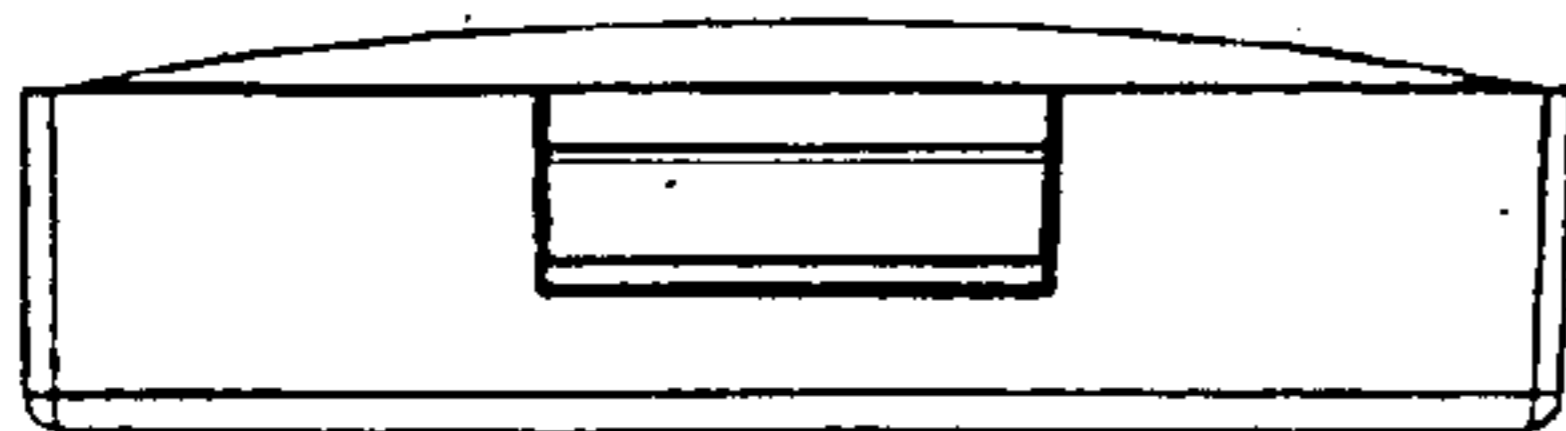


FIG. 3

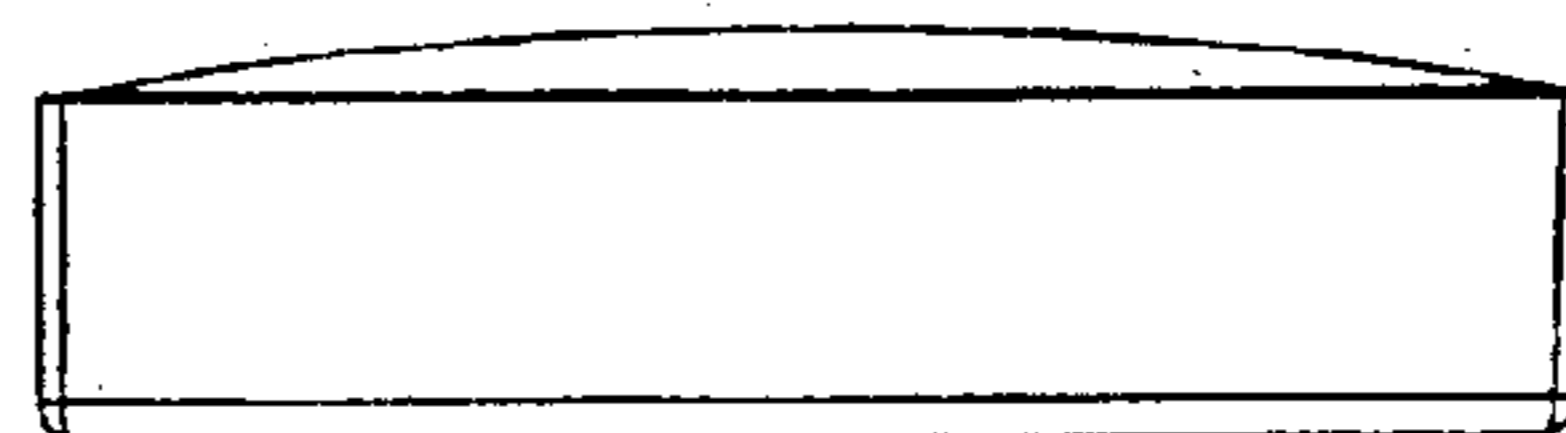


FIG. 7

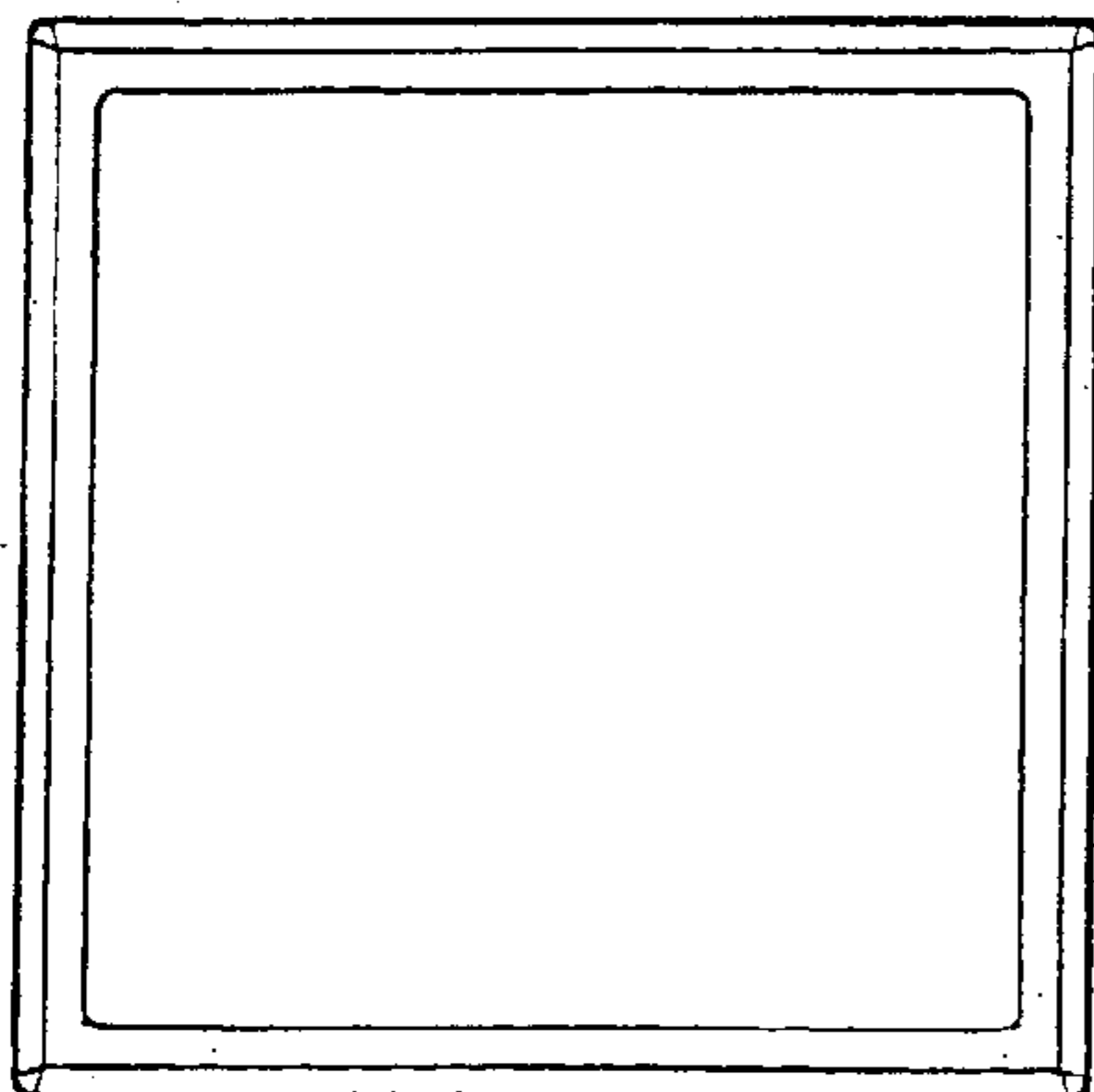


FIG. 4