



US00D503243S

(12) **United States Design Patent**
Angeletta

(10) **Patent No.:** **US D503,243 S**
(45) **Date of Patent:** **** Mar. 22, 2005**

(54) **LIQUID AND LOTION APPLICATOR**

(76) Inventor: **Joseph G. Angeletta**, 418 Fifth St.,
Mamaroneck, NY (US) 10543

(**) Term: **14 Years**

(21) Appl. No.: **29/185,534**

(22) Filed: **Jun. 27, 2003**

Related U.S. Application Data

(62) Division of application No. 29/161,203, filed on May 24, 2002, now Pat. No. Des. 477,687, which is a division of application No. 29/151,794, filed on Dec. 7, 2001, now Pat. No. Des. 461,279, which is a division of application No. 29/141,268, filed on May 2, 2001, now Pat. No. Des. 457,682.

(51) **LOC (7) Cl.** **28-03**

(52) **U.S. Cl.** **D28/7**

(58) **Field of Search** 132/320, 317;
D11/133; D7/514; D28/7, 63; D9/338, 307,
330, 331; D3/270, 271; D24/119; D4/114,
116, 127, 124, 137, 138; 15/104.94, 244.1-244.4,
143.1; D32/40, 42, 43, 45, 51, 52; 401/6,
44, 137-139, 152, 153, 196, 197, 198,
202-207, 263-266, 269, 270-275

(56) **References Cited**

U.S. PATENT DOCUMENTS

5,322,382 A * 6/1994 Hull et al. 401/131

D357,810 S * 5/1995 Evans D4/114
5,454,659 A * 10/1995 Vosbikian et al. 401/207
D384,436 S * 9/1997 Kelley D28/7
D409,110 S * 5/1999 Pool D11/120
5,931,591 A * 8/1999 McCracken 401/6
D417,033 S * 11/1999 Sachs et al. D28/7
D434,525 S * 11/2000 Angeletta D28/7
D438,671 S * 3/2001 Angeletta D28/7
D445,954 S * 7/2001 Angeletta D28/7

OTHER PUBLICATIONS

Speedgear, Holiday, 2001, p. 6, mugs with checkered flag surface ornamentation, [retrieved on Feb. 25, 2004]. Retrieved from internet using Google Advanced Catalog Search, <URL: www.speedgear.com>.*

* cited by examiner

Primary Examiner—Lucy Lieberman

(74) *Attorney, Agent, or Firm*—Scully, Scott, Murphy & Presser

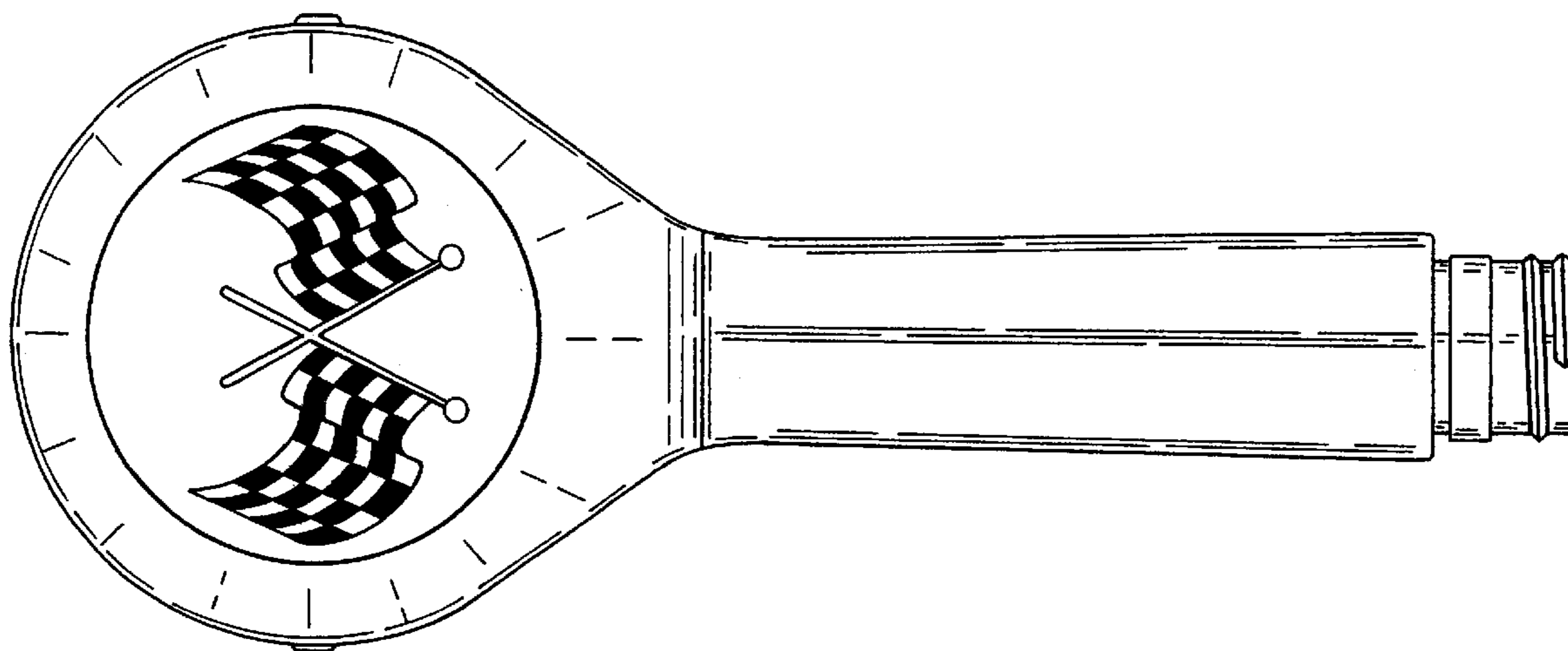
(57) **CLAIM**

The ornamental design for a liquid and lotion applicator, as shown and described.

DESCRIPTION

FIG. 1 illustrates a top plan view of a liquid and lotion applicator showing my new and ornamental design; FIG. 2 illustrates a side elevational view thereof; and, FIG. 3 illustrates a bottom plan view thereof.

1 Claim, 2 Drawing Sheets



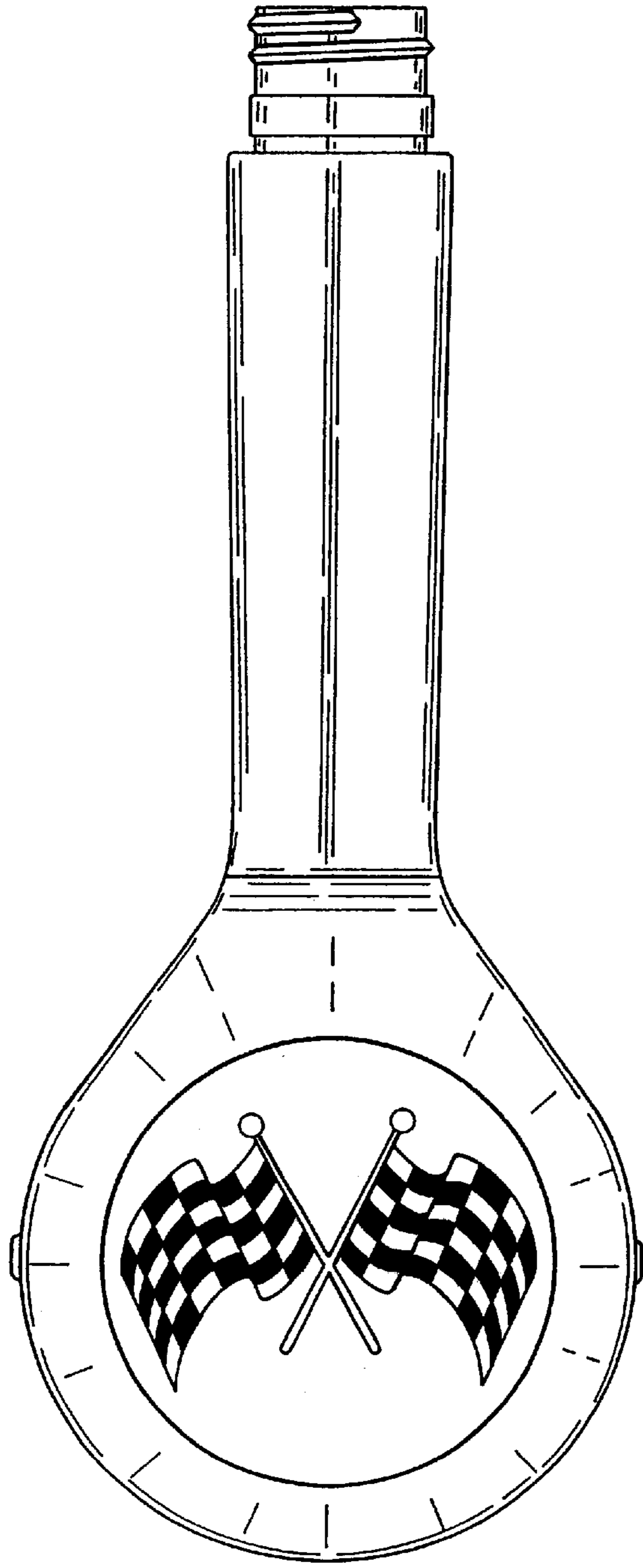


FIG. 1

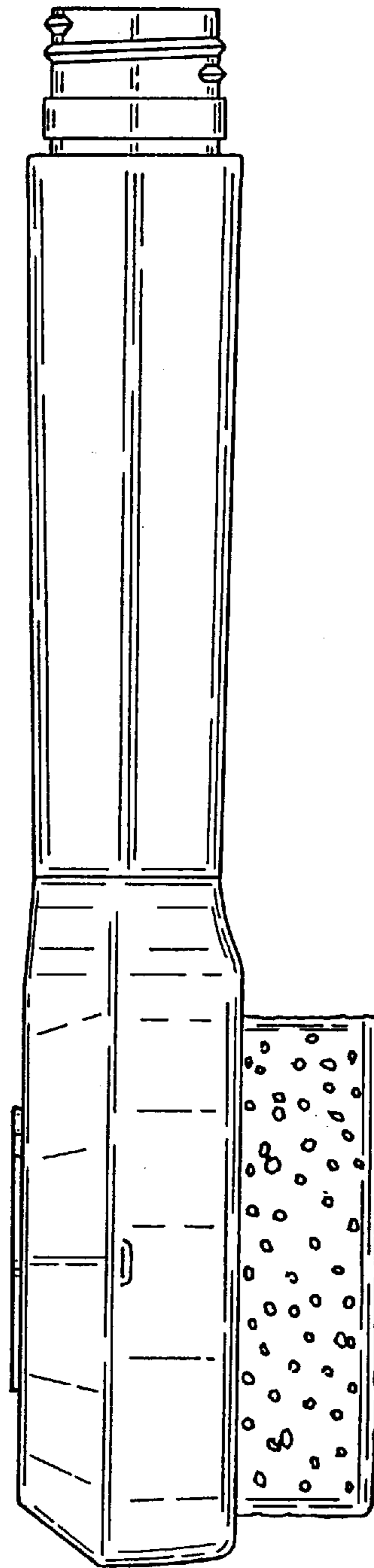


FIG. 2

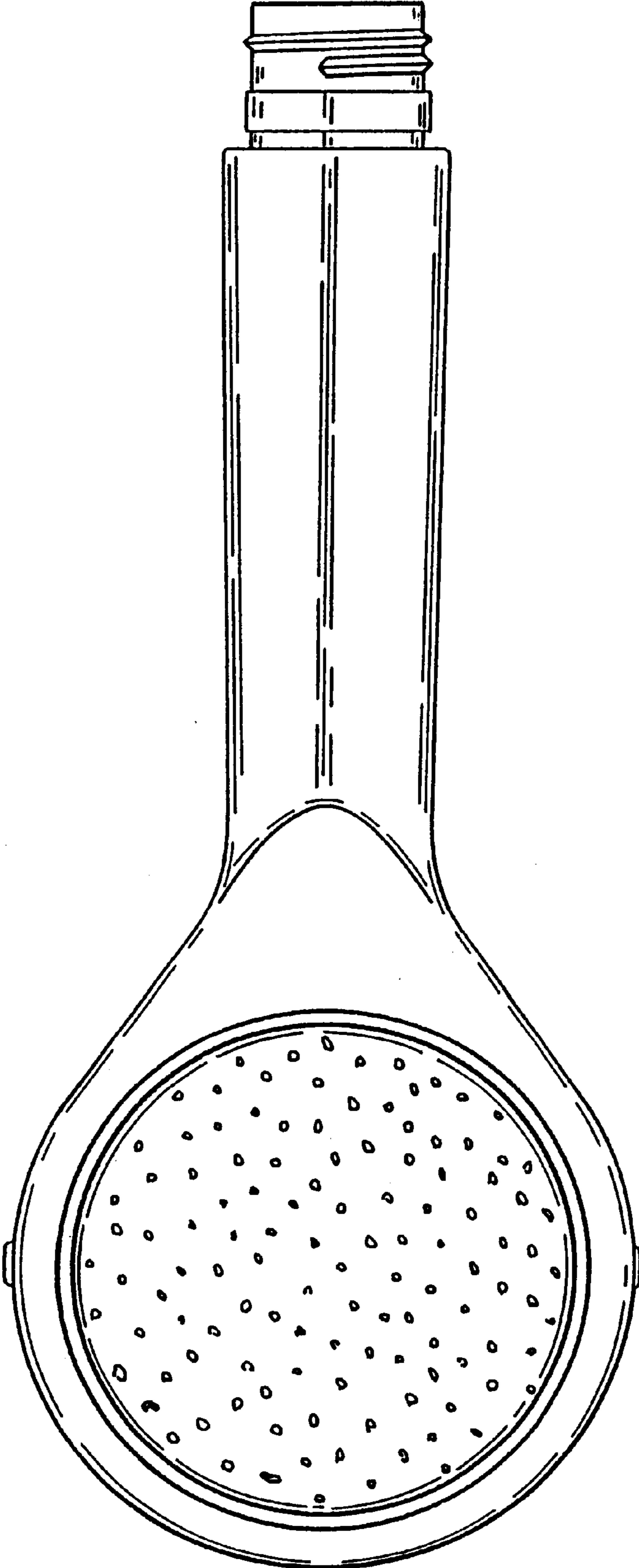


FIG. 3