

US00D503238S

(12) **United States Design Patent**
Allen

(10) **Patent No.:** **US D503,238 S**
(45) **Date of Patent:** **** Mar. 22, 2005**

(54) **CONVERTIBLE FLASHLIGHT-HEADLAMP**

(76) **Inventor:** **David M. Allen**, 93890 Pope Rd.,
Blachly, OR (US) 97412

(**) **Term:** **14 Years**

(21) **Appl. No.:** **29/178,099**

(22) **Filed:** **Mar. 19, 2003**

Related U.S. Application Data

(63) Continuation of application No. 10/245,607, filed on Sep. 16, 2002, now abandoned.

(51) **LOC (7) Cl.** **26-02**

(52) **U.S. Cl.** **D26/37**

(58) **Field of Search** D26/37-50; 362/157,
362/158, 171-174, 183-208

(56) **References Cited**

U.S. PATENT DOCUMENTS

3,330,949 A	7/1967	Bush	240/6.45
4,408,261 A	10/1983	Polakoff	362/104
D321,785 S	11/1991	Garrity	D3/63
D367,087 S	2/1996	Mathews	D21/109
D375,372 S	11/1996	Allen	D26/37
D380,566 S	7/1997	Chen	D26/37
6,015,217 A	1/2000	Colangelo et al.	362/103

D441,108 S	*	4/2001	Poon	D26/37
D445,925 S	*	7/2001	Parker	D26/37
D447,585 S	*	9/2001	Dalton et al.	D26/37
6,305,818 B1		10/2001	Lebens et al.	362/184
D466,636 S	*	12/2002	Chun	D26/37

* cited by examiner

Primary Examiner—Marcus A. Jackson

(74) *Attorney, Agent, or Firm*—Black Lowe & Graham PLLC

(57) **CLAIM**

The ornamental design for a convertible flashlight-headlamp, as shown and described.

DESCRIPTION

FIG. 1 is a front perspective view of a convertible flashlight-headlamp showing my new design, with the broken line showing for illustrative purposes only and forming no part of the claimed design;

FIG. 2 is a right side elevational view thereof.

FIG. 3 is a back elevational view thereof.

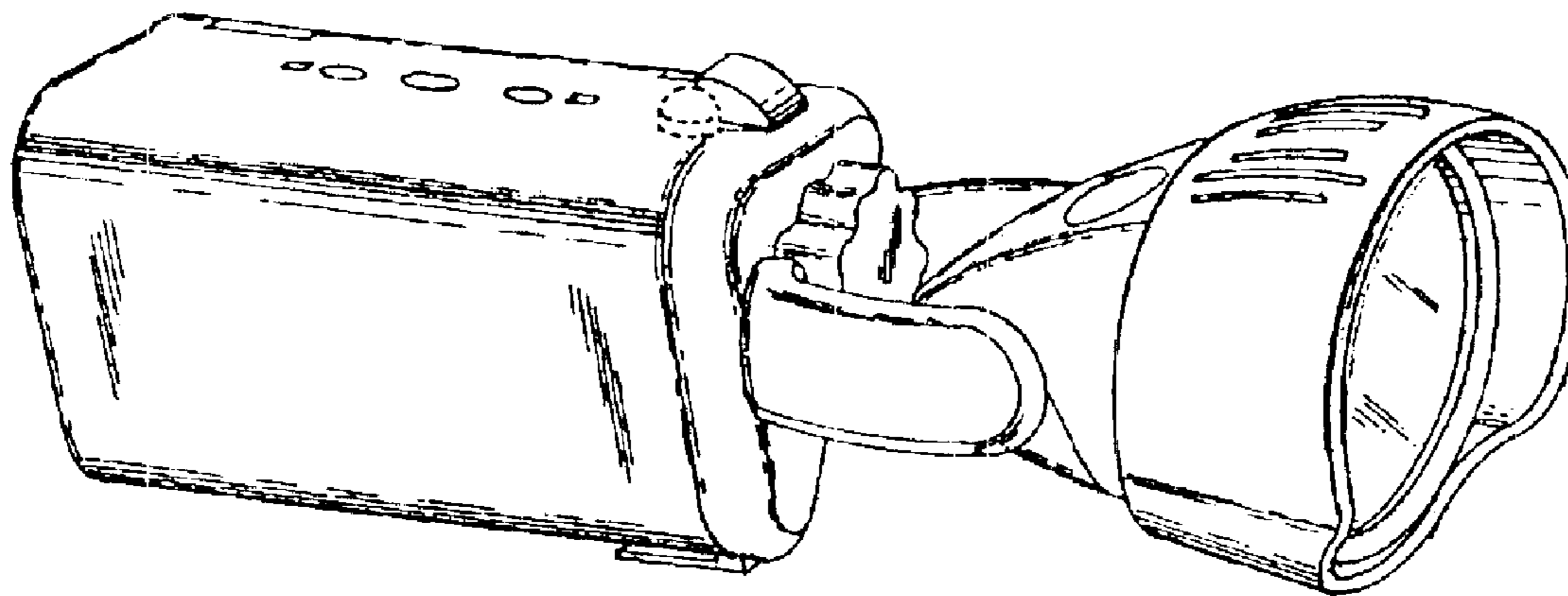
FIG. 4 is a front elevational view thereof.

FIG. 5 is a bottom plan view thereof.

FIG. 6 is a left side elevational view thereof; and,

FIG. 7 is a top plan view thereof.

1 Claim, 3 Drawing Sheets



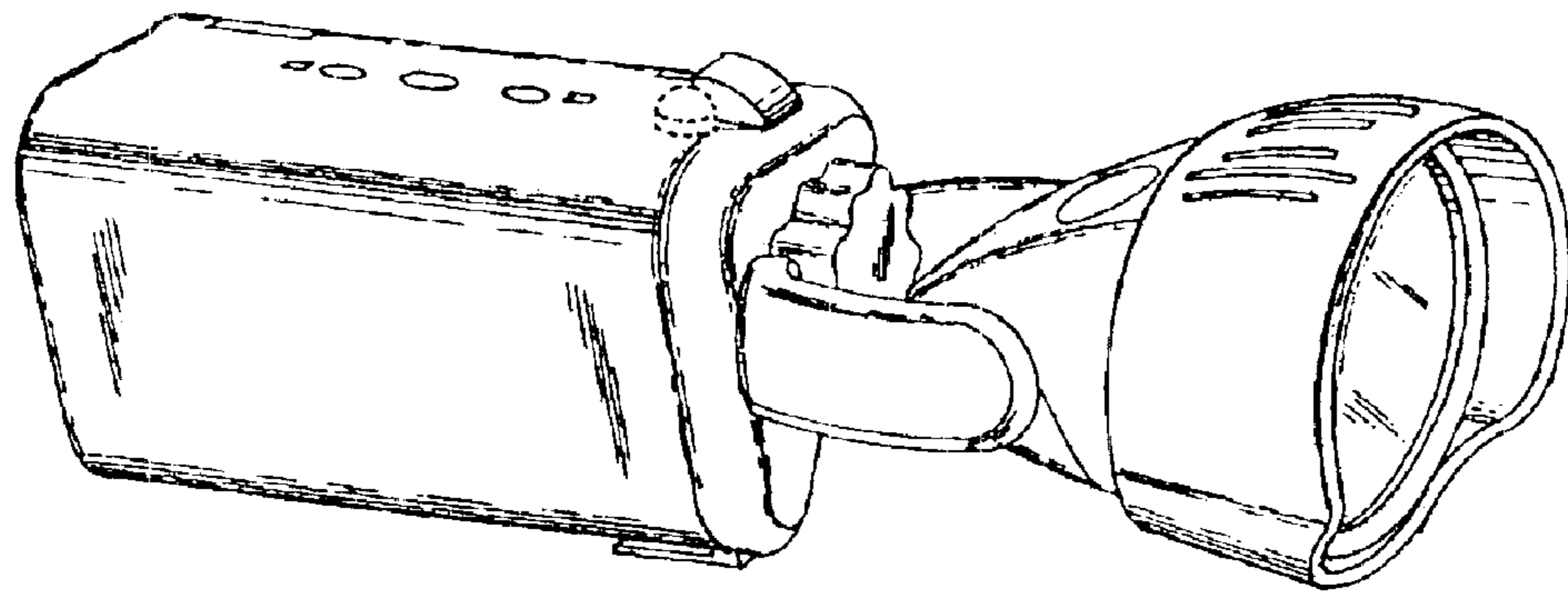


FIG. 1

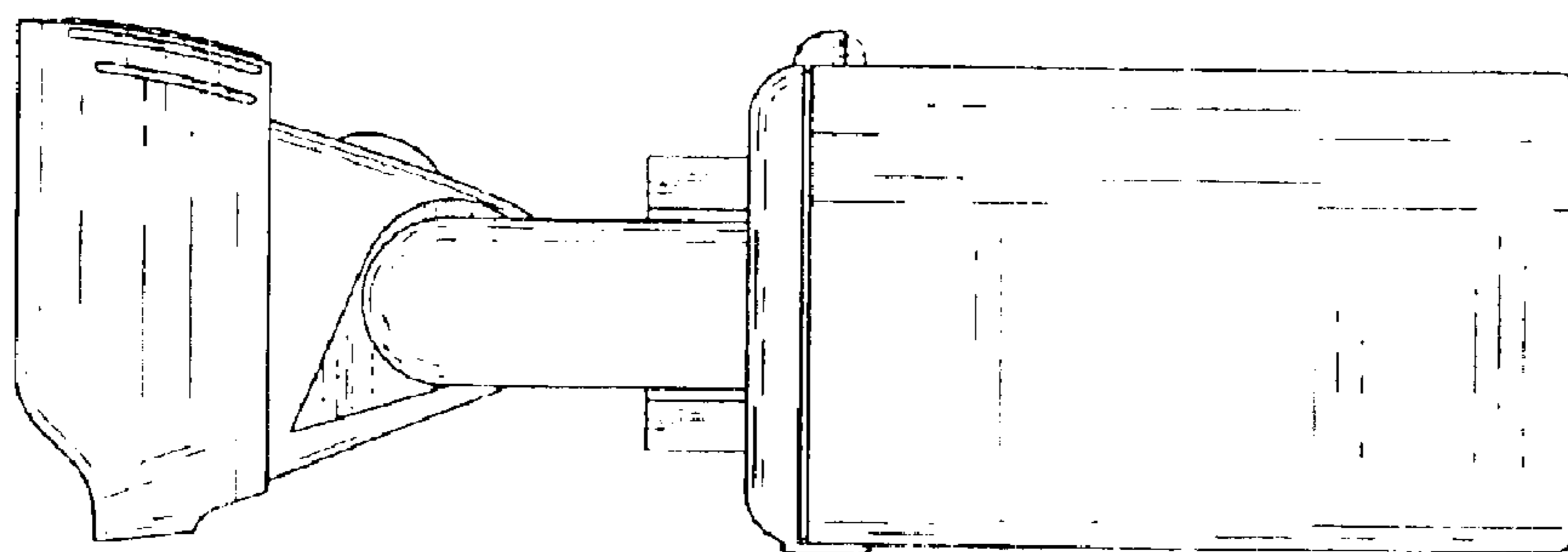


FIG. 2

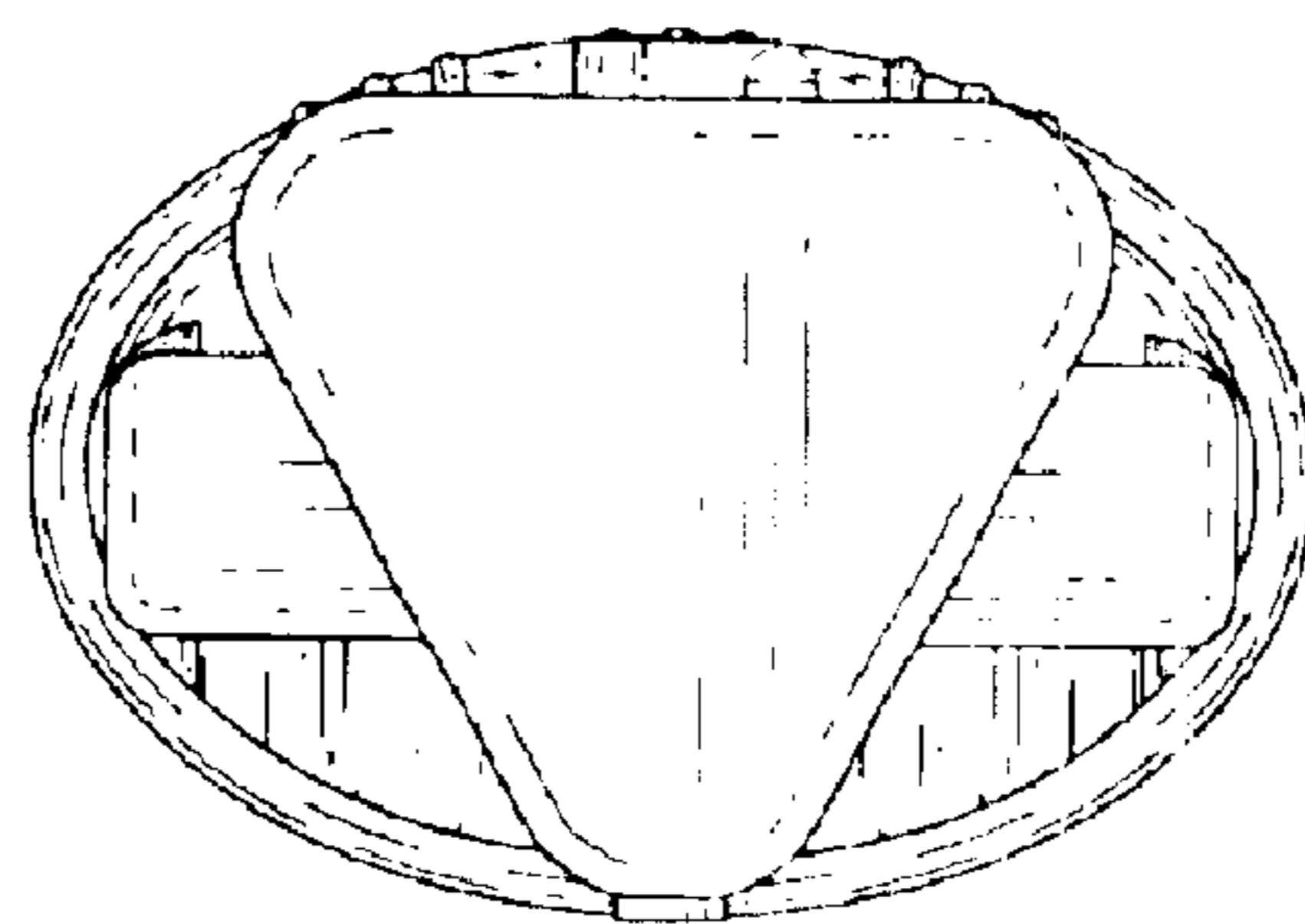


FIG. 3

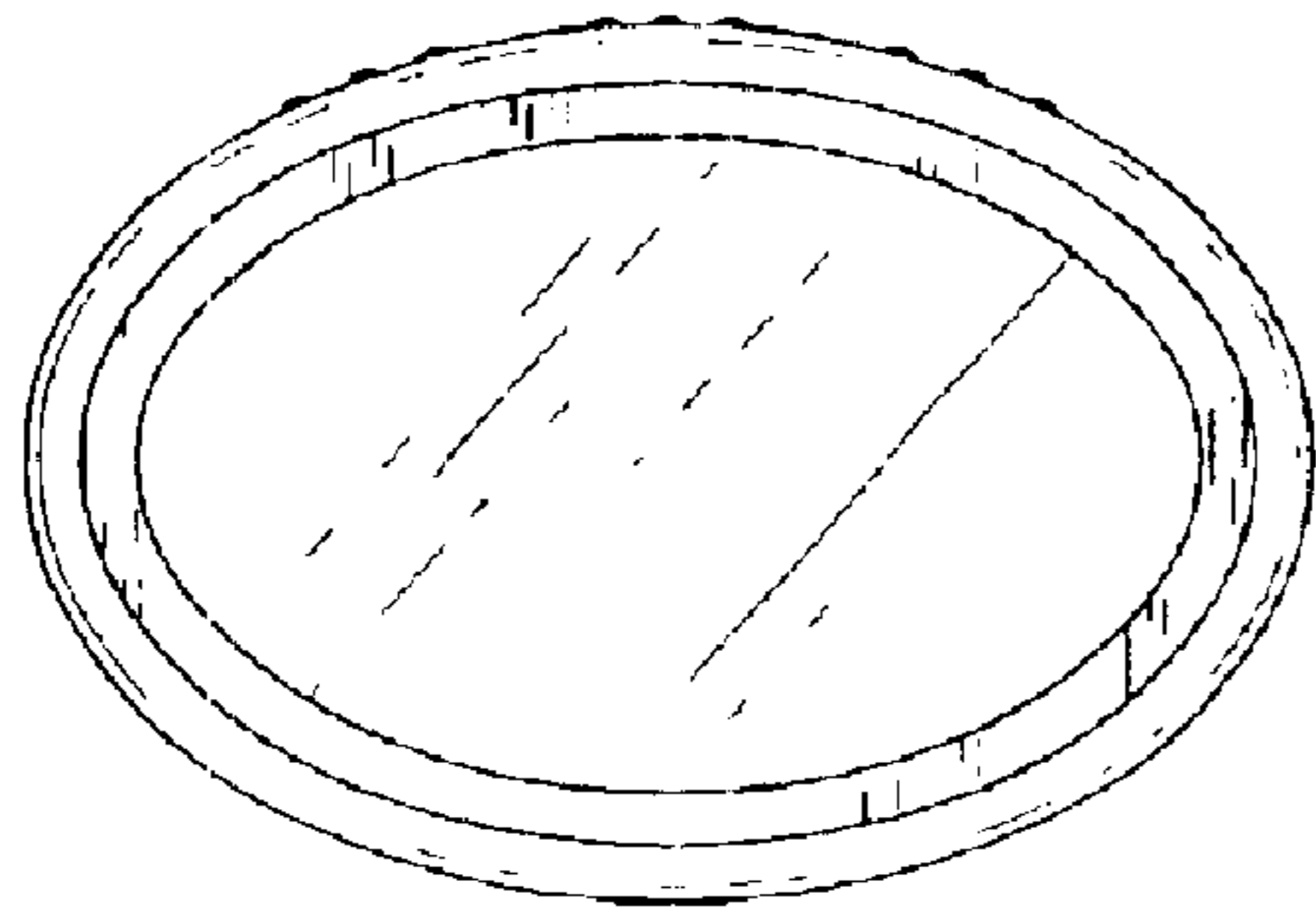


FIG. 4

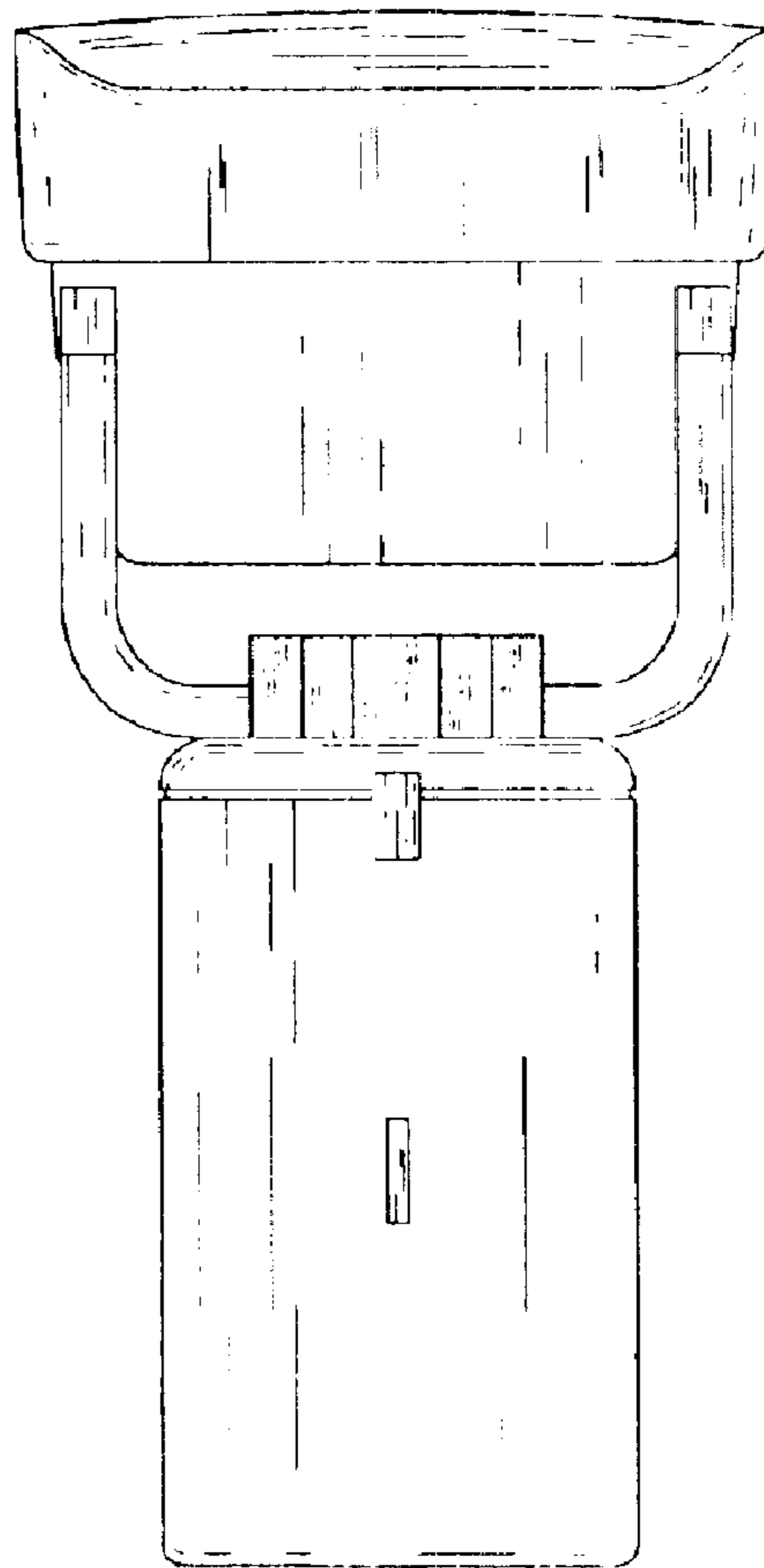


FIG. 5

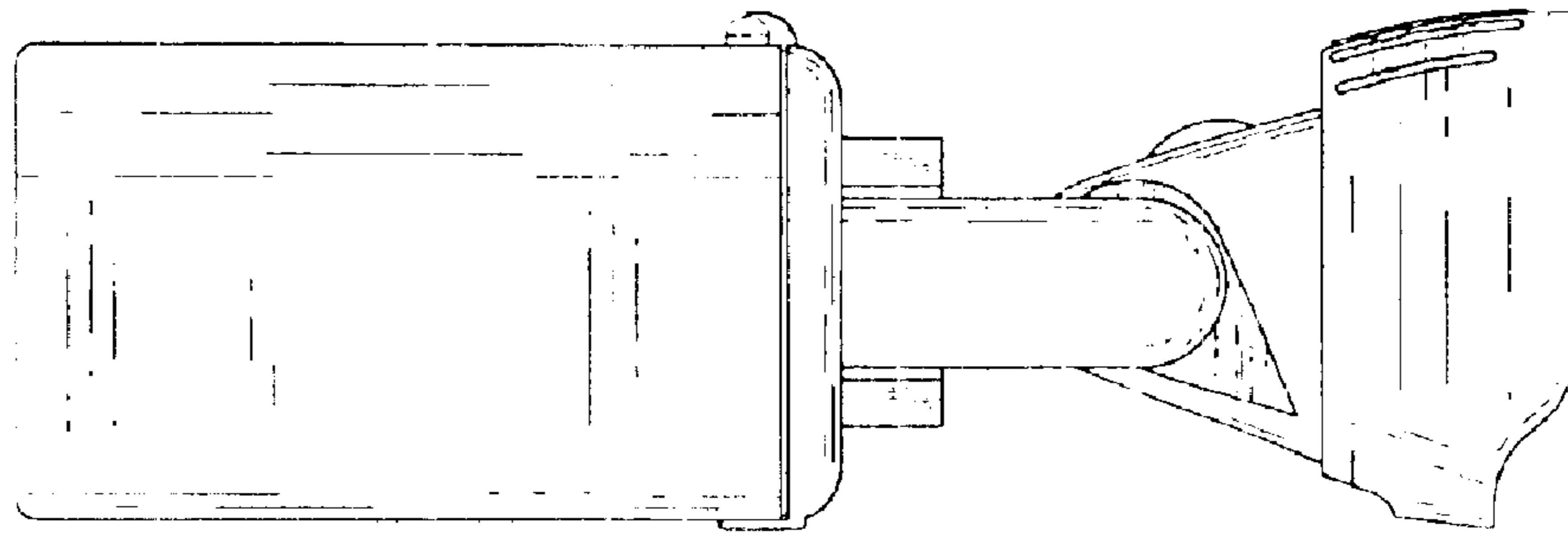


FIG. 6

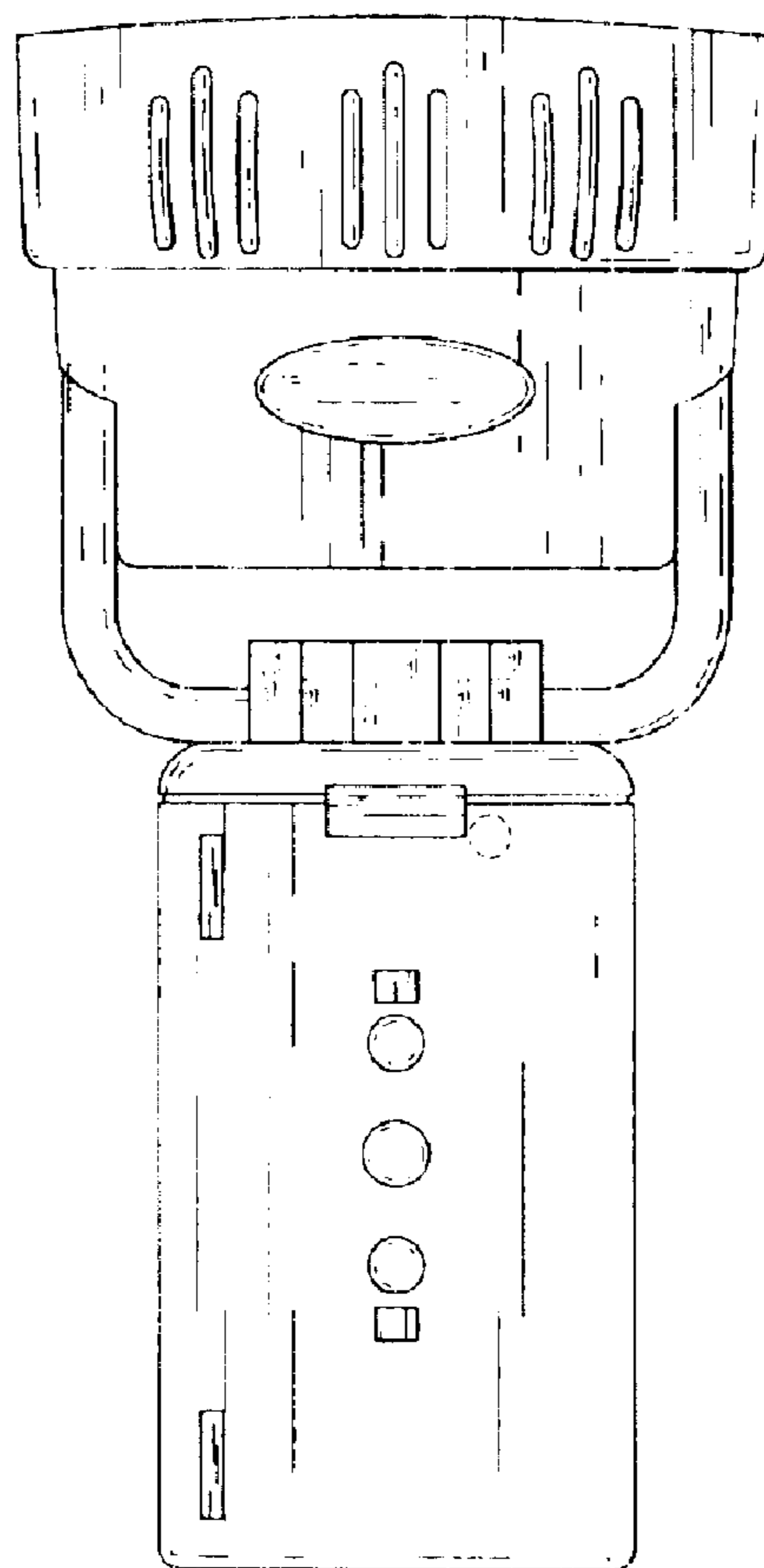


FIG. 7