

US00D503234S

(12) **United States Design Patent**
Cheung et al.

(10) **Patent No.:** **US D503,234 S**
(45) **Date of Patent:** **** Mar. 22, 2005**

(54) **PORTION OF PATIENT MANAGEMENT MODULE**

(75) Inventors: **Andrew Cheung**, Burwood (AU);
Zdzislaw Ziolkowski, Earlwood (AU)

(73) Assignee: **ResMed Limited**, North Ryde (AU)

(**) Term: **14 Years**

(21) Appl. No.: **29/195,208**

(22) Filed: **Dec. 9, 2003**

Related U.S. Application Data

(63) Continuation of application No. 29/166,519, filed on Aug. 30, 2002, now Pat. No. Des. 486,916.

(51) **LOC (7) Cl.** **24-04**

(52) **U.S. Cl.** **D24/186**

(58) **Field of Search** D24/107, 108,
D24/110, 111, 147, 164, 186; D3/147; 600/529-536;
128/204.23; 604/31

(56) **References Cited**

U.S. PATENT DOCUMENTS

5,376,070 A * 12/1994 Purvis et al. 604/31
D377,336 S * 1/1997 Tan et al. D13/147

5,797,852 A 8/1998 Karakasoglu et al.
5,864,291 A 1/1999 Walton
6,213,955 B1 4/2001 Karakasoglu et al.
6,312,389 B1 11/2001 Kofoed et al.
D477,571 S * 7/2003 Huang et al. D13/147

* cited by examiner

Primary Examiner—Ian Simmons

Assistant Examiner—Daniel Yu

(74) *Attorney, Agent, or Firm*—Nixon & Vanderhye P.C.

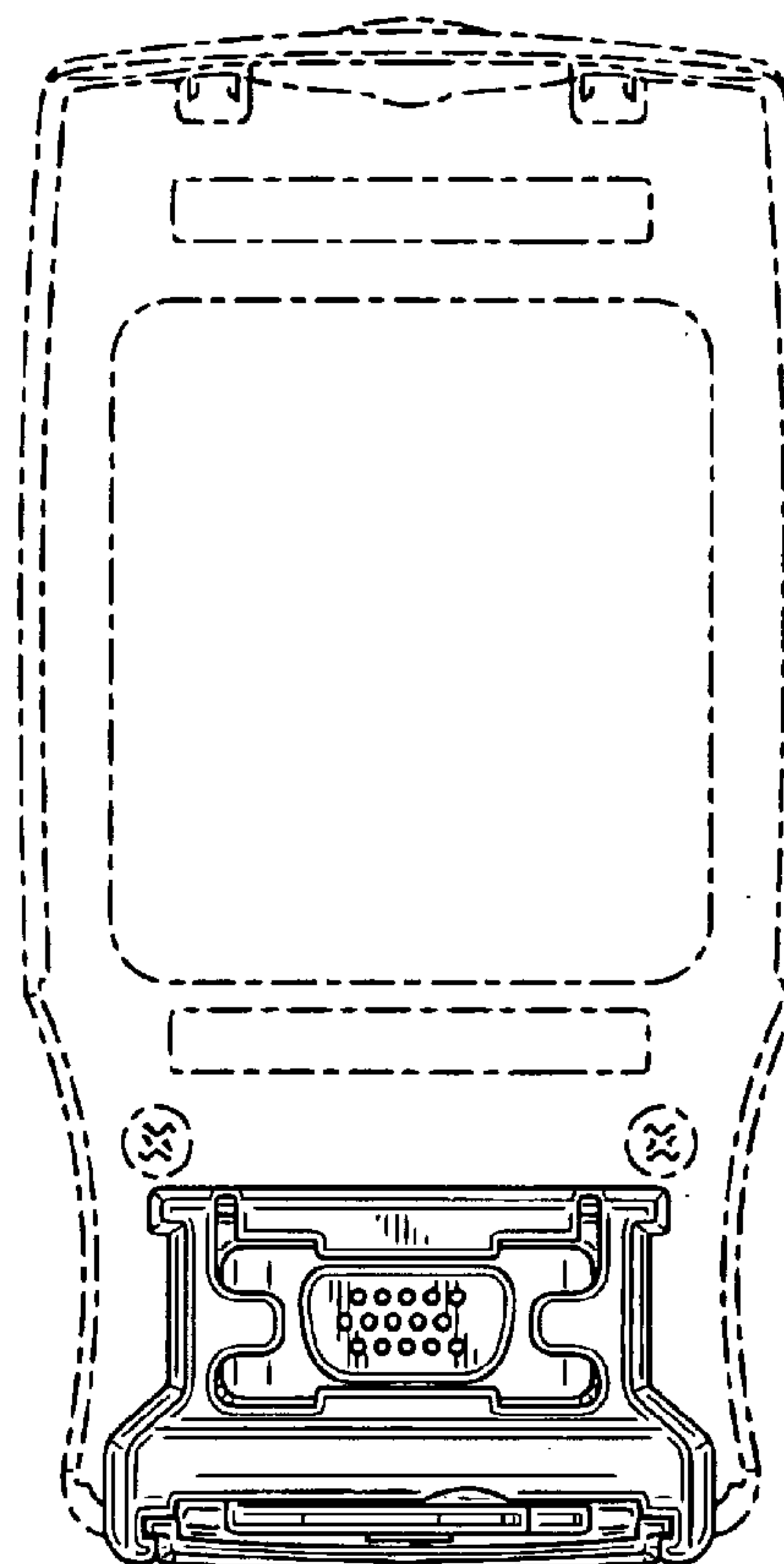
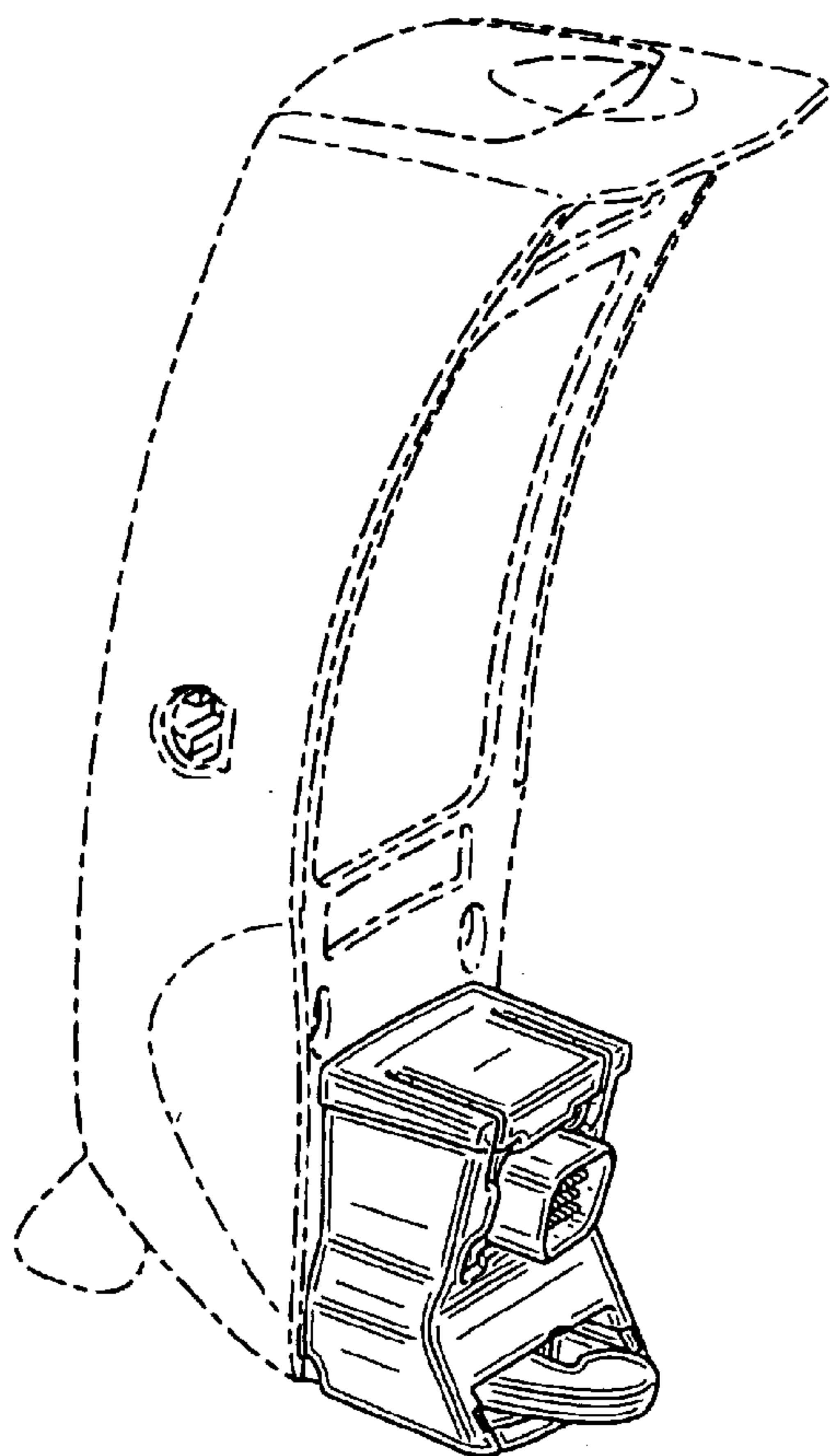
(57) **CLAIM**

The ornamental design for a portion of patient management module, as shown and described.

DESCRIPTION

FIG. 1 is a rear perspective view of a portion of a patient management module according to our design; FIG. 2 is a rear view thereof; FIG. 3 is a top view thereof; FIG. 4 is a bottom view thereof; FIG. 5 is a left side view thereof; and, FIG. 6 is a right side view thereof. Where included, broken lines showing environment or structure are for illustrative purposes only and form no part of the claimed design.

1 Claim, 3 Drawing Sheets



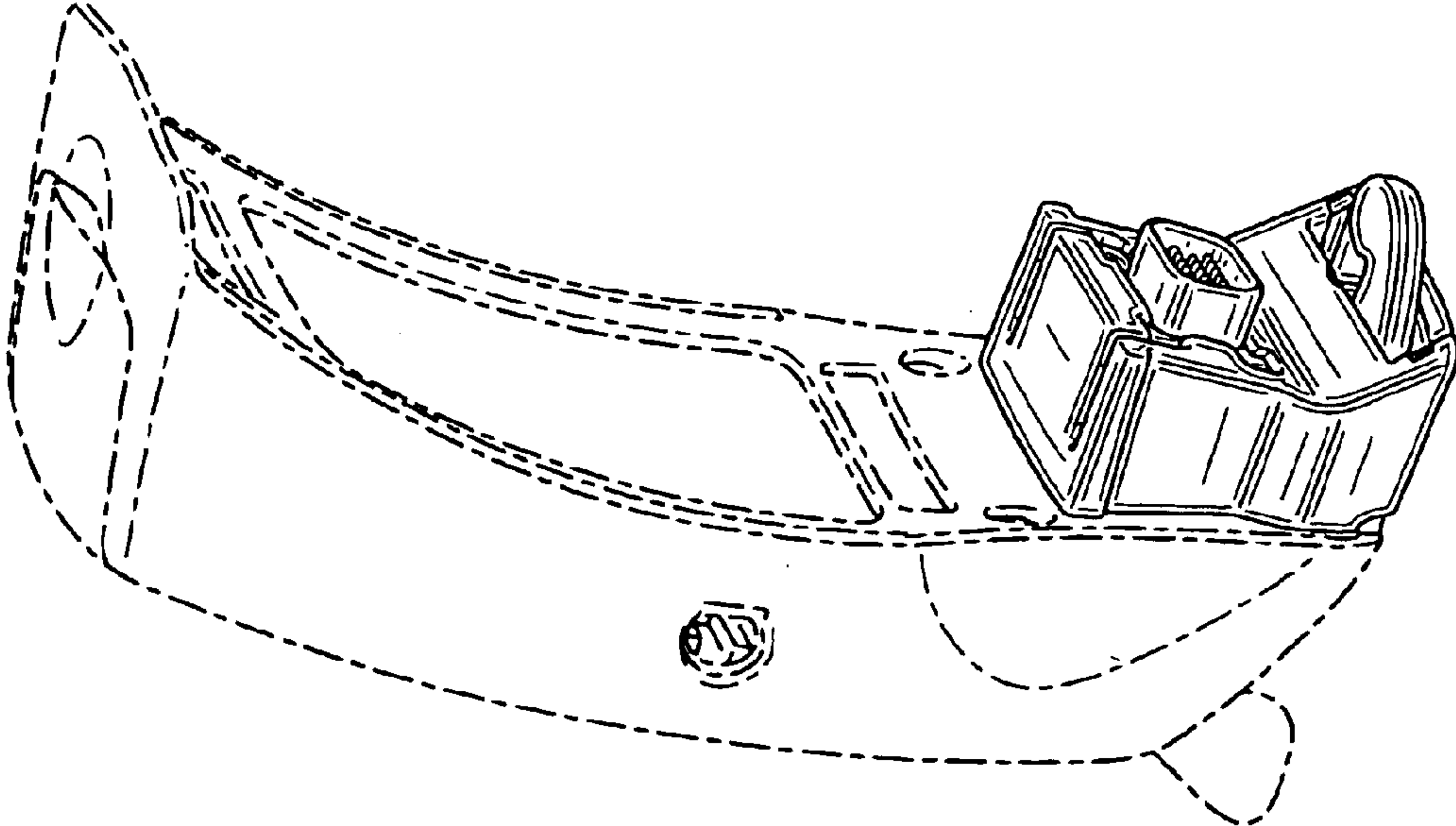


FIG. 1

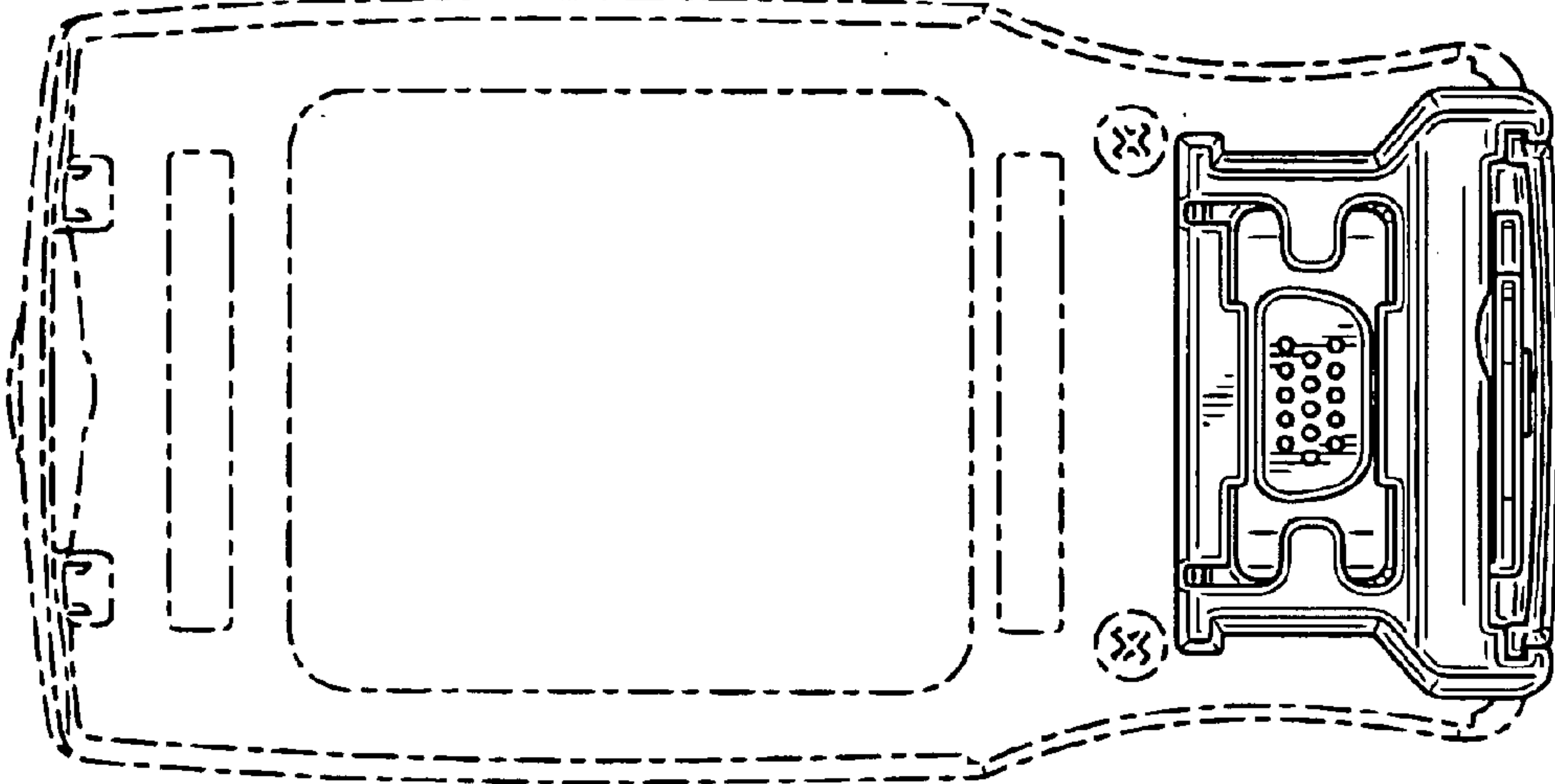


FIG. 2

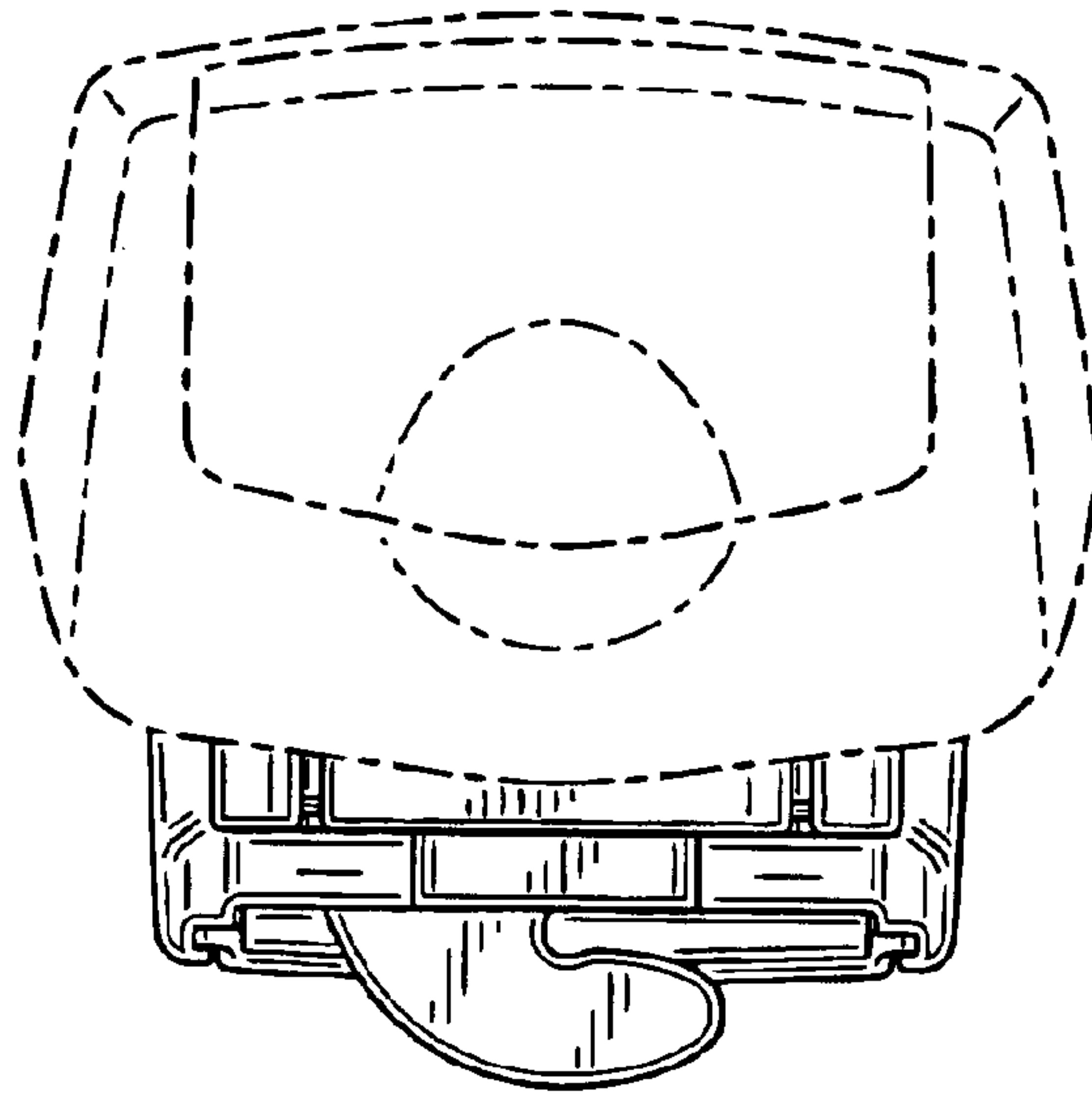


FIG. 3

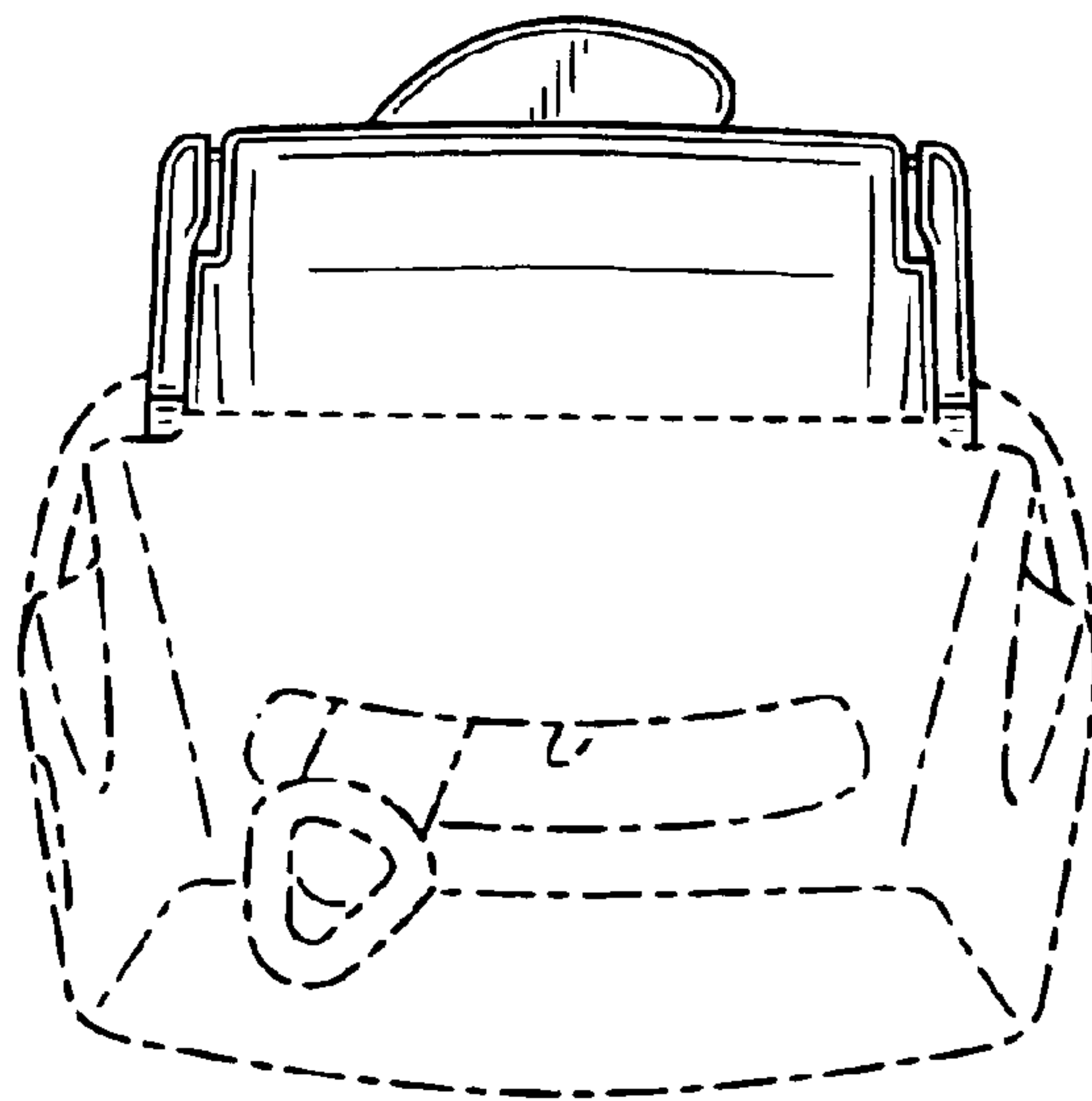


FIG. 4

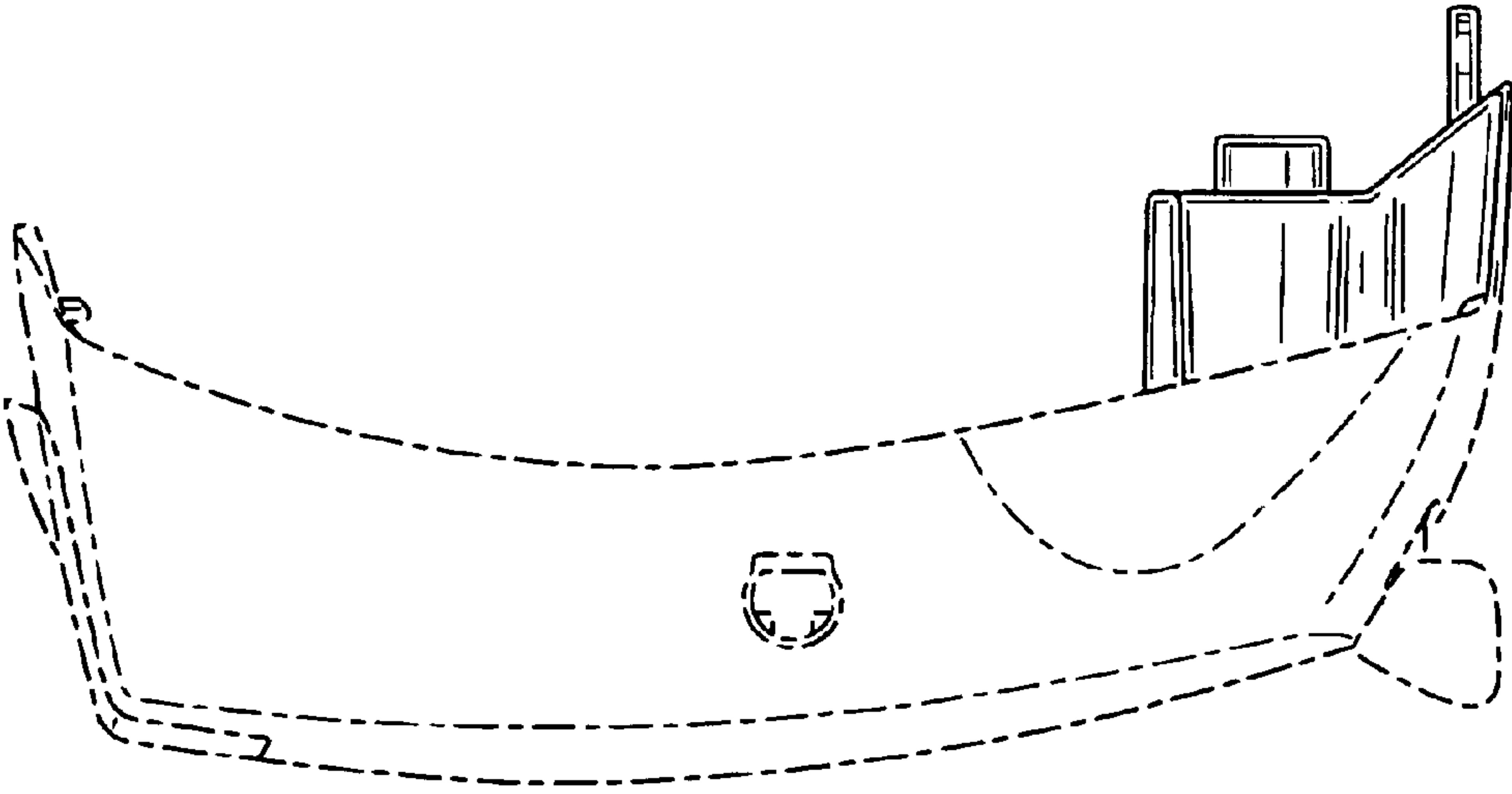


FIG. 5

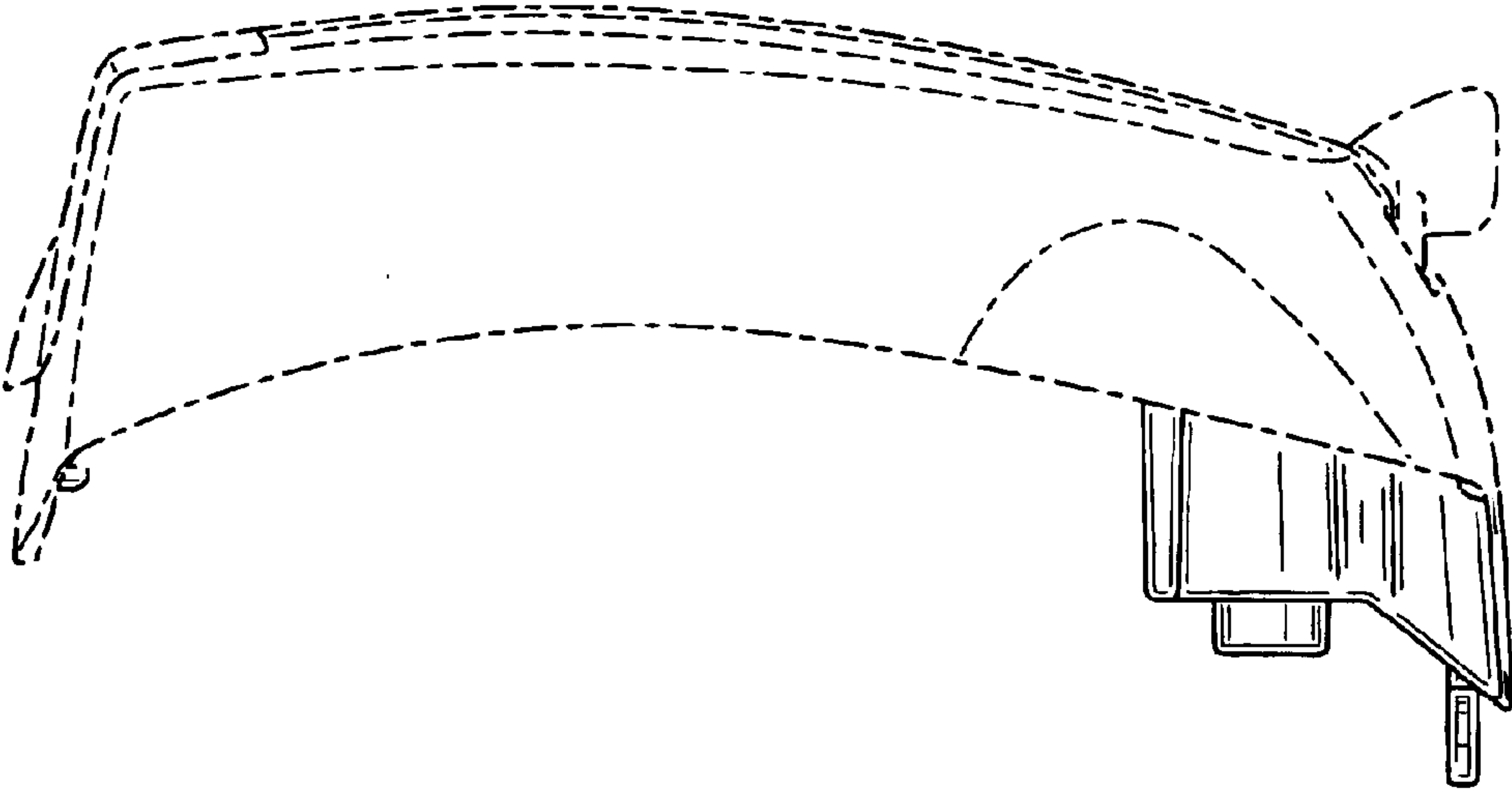


FIG. 6