

US00D503229S

(12) **United States Design Patent**
Davis et al.

(10) **Patent No.:** **US D503,229 S**
(45) **Date of Patent:** **** Mar. 22, 2005**

(54) **SKIN ANTISEPTIC COMPOSITION DISPENSER**

(75) Inventors: **Robert A. Davis**, Cottage Grove, MN (US); **Mark V. Johnson**, Afton, MN (US); **Triet M. Lu**, Woodbury, MN (US); **Matthew T. Scholz**, Woodbury, MN (US)

(73) Assignee: **3M Innovative Properties Company**, St. Paul, MN (US)

(**) Term: **14 Years**

(21) Appl. No.: **29/168,989**

(22) Filed: **Oct. 14, 2002**

(51) **LOC (7) Cl.** **24-02**

(52) **U.S. Cl.** **D24/119; D28/7**

(58) **Field of Search** D28/7, 63; D24/119; D4/137, 135, 138, 114; D32/45, 51; D9/305, 306, 337; 401/6, 266, 202-207, 139, 132; 604/1, 2, 3; 15/244.1, 244.2, 104.93, 104.94, 209.1; 132/320

(56) **References Cited**

U.S. PATENT DOCUMENTS

- 3,059,262 A * 10/1962 Marschner 15/244.1
- 3,137,880 A * 6/1964 Kubit et al. 15/244.1
- 3,215,263 A * 11/1965 Mathison 206/361
- 4,155,139 A * 5/1979 Corcoran 15/244.1
- 4,507,111 A 3/1985 Gordon et al. 604/3
- 4,799,815 A 1/1989 Barabino et al. 401/132
- 4,925,327 A 5/1990 Wirt 401/205
- 4,934,011 A * 6/1990 Haug 15/145
- 5,027,803 A 7/1991 Scholz et al. 128/89
- 5,100,028 A 3/1992 Seifert
- 5,133,971 A * 7/1992 Copelan et al. 424/448
- 5,288,159 A 2/1994 Wirt
- 5,323,589 A 6/1994 Linnér

- D351,229 S 10/1994 Wirt
- 5,473,860 A 12/1995 Linnér
- 5,489,022 A 2/1996 Baker 206/439
- 5,577,907 A 11/1996 Linner
- D377,978 S * 2/1997 Haber et al. D24/119
- 5,658,084 A 8/1997 Wirt 401/132
- D383,631 S 9/1997 Wirt et al.
- D384,184 S * 9/1997 Dewey D28/7
- D384,457 S * 9/1997 Morissette D32/51
- D386,640 S 11/1997 Wirt et al.
- 5,769,552 A 6/1998 Kelley et al.
- 5,799,841 A 9/1998 Wirt
- 5,897,031 A 4/1999 Wirt et al.
- 5,908,350 A * 6/1999 Walters 451/524
- 2001/0055511 A1 12/2001 Baumann et al. 401/266

FOREIGN PATENT DOCUMENTS

ES U 200001073 11/2000 A61B/19/00

* cited by examiner

Primary Examiner—Lucy Lieberman

(74) *Attorney, Agent, or Firm*—Nancy M. Lambert

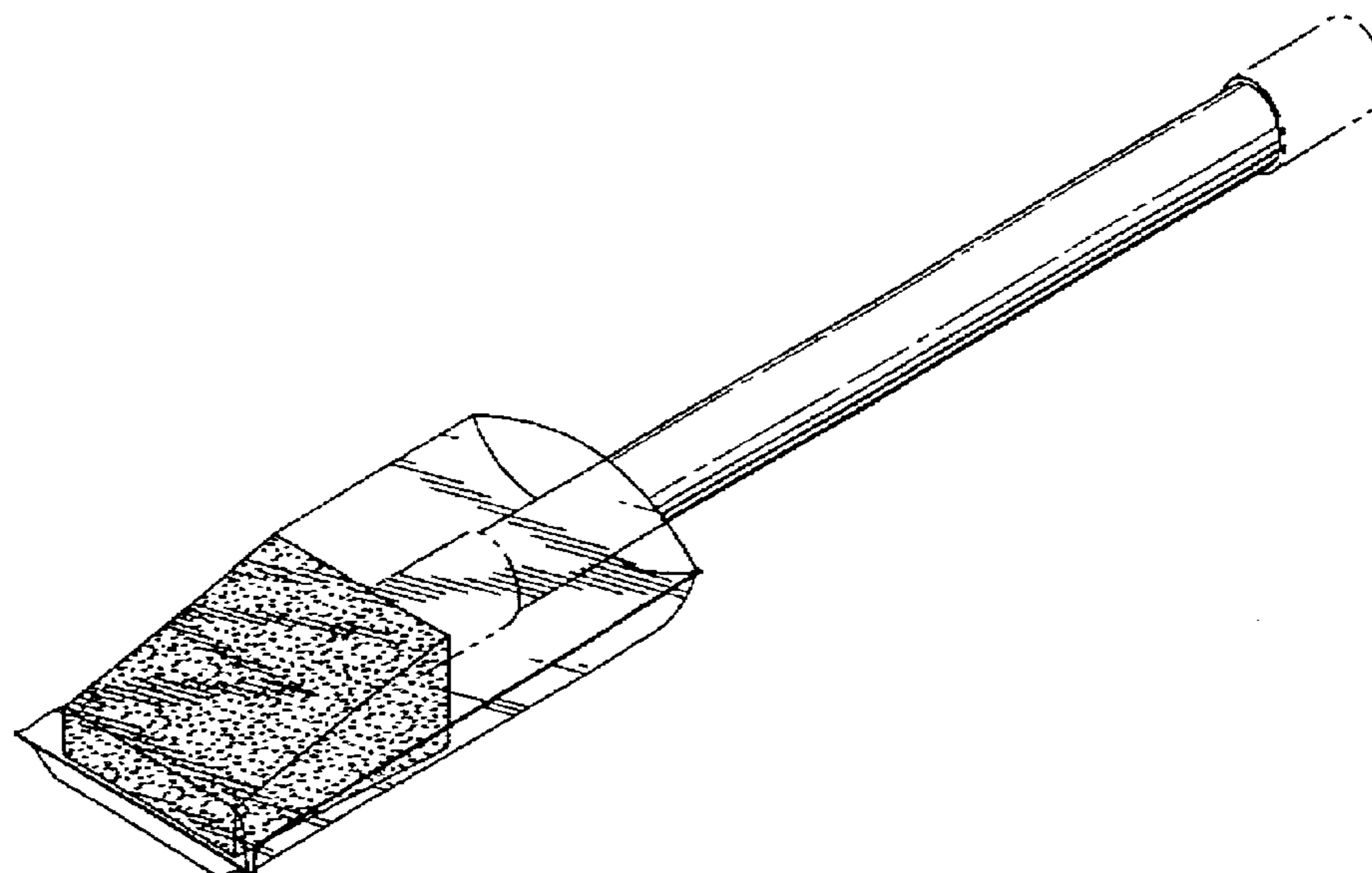
(57) **CLAIM**

The ornamental design for a skin antiseptic composition dispenser, as shown and described.

DESCRIPTION

FIG. 1 is a perspective view of a skin antiseptic composition dispenser showing the new design;
 FIG. 2 is a right side view thereof (the left side view being identical);
 FIG. 3 is a top plan view thereof (the bottom plan view being identical);
 FIG. 4 is a front end view thereof; and,
 FIG. 5 is a rear end view thereof.
 The broken lines in the figures are for illustrative purposes only and do not form a part of the claimed design.

1 Claim, 2 Drawing Sheets



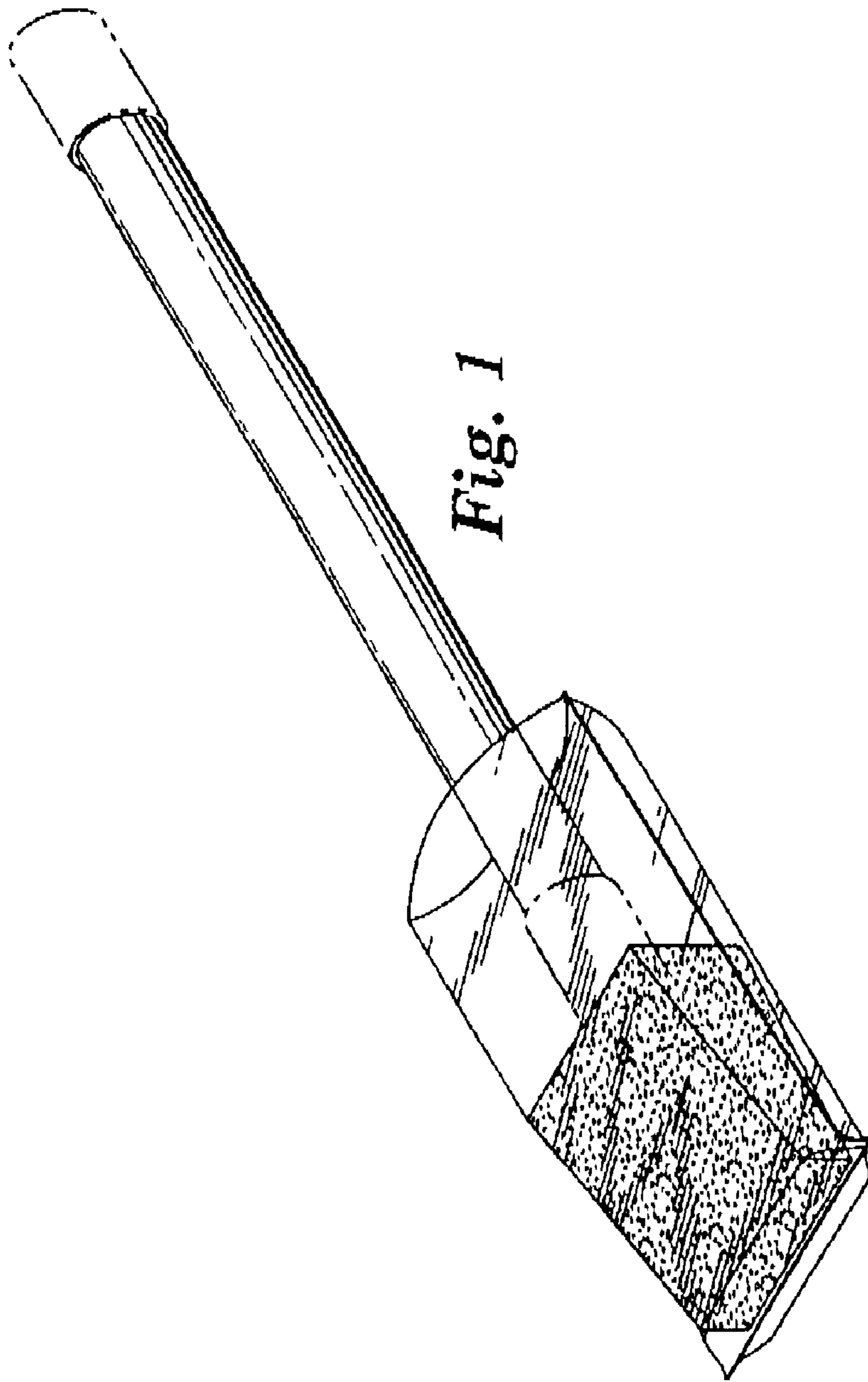


Fig. 1

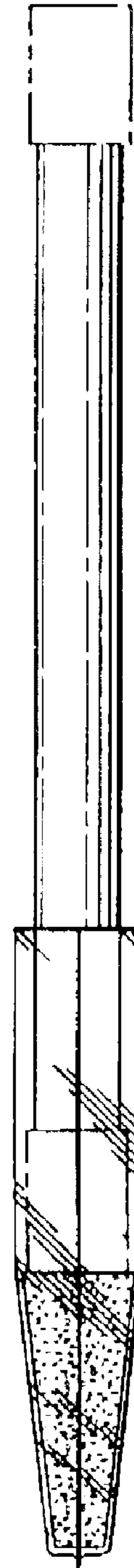


Fig. 2

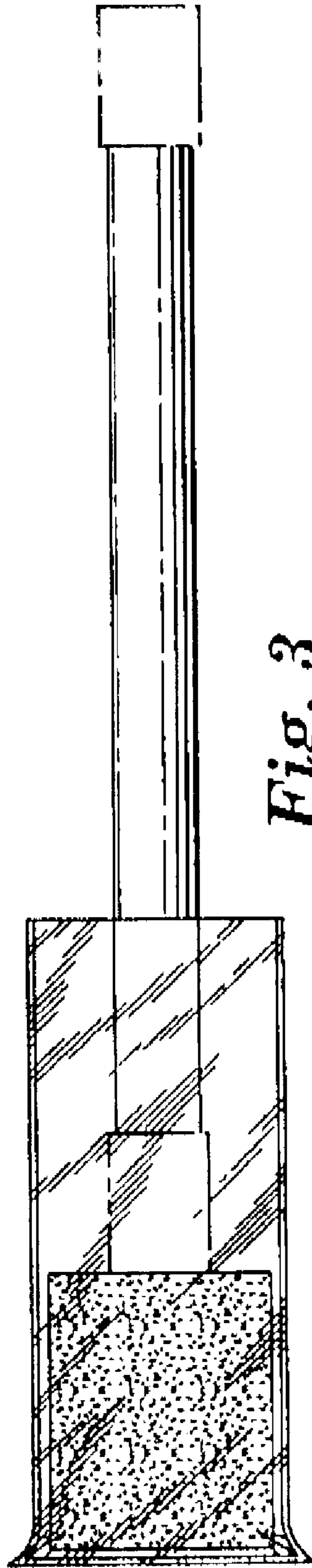


Fig. 3

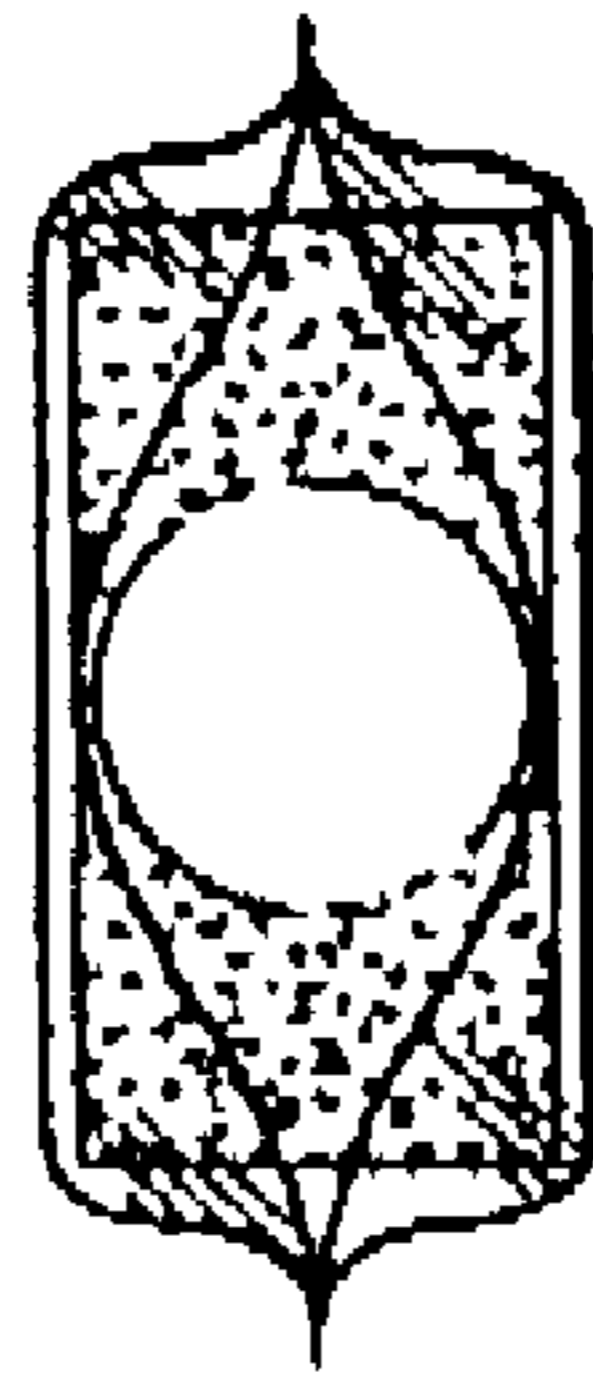


Fig. 5

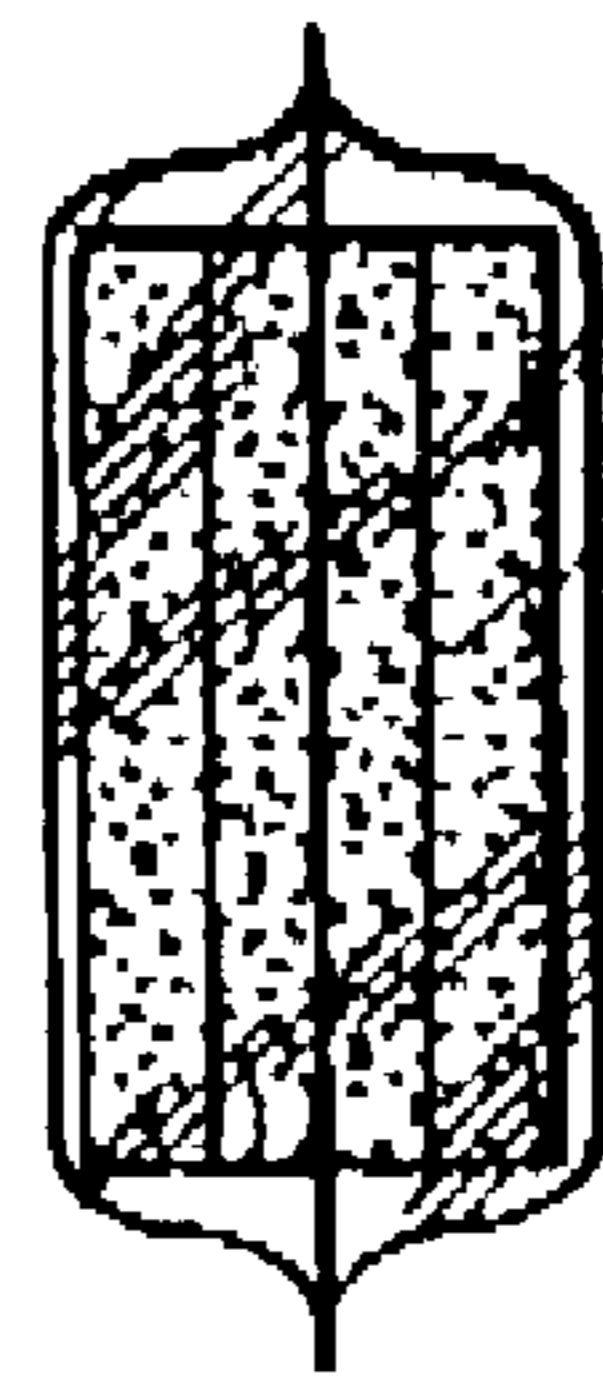


Fig. 4