

US00D503221S

(12) **United States Design Patent**
Miller et al.

(10) **Patent No.:** **US D503,221 S**
(45) **Date of Patent:** **** Mar. 22, 2005**

- (54) **EVAPORATIVE COOLER**
- (75) Inventors: **David William Miller**, Henley Beach (AU); **Khon Minh Thai**, Paradise (AU); **Shoji Sinclair**, Seacliff (AU); **Lorin Megan Windahl**, Brooklyn Park (AU)
- (73) Assignee: **F.F. Seeley Nominees Pty Ltd.**, St. Marys (AU)
- (**) Term: **14 Years**
- (21) Appl. No.: **29/187,337**
- (22) Filed: **Jul. 29, 2003**
- (51) **LOC (7) Cl.** **23-04**
- (52) **U.S. Cl.** **D23/333**
- (58) **Field of Search** D23/332-333, D23/314, 351, 355, 359; 62/262-263, 259.1, 260, 457.9; 312/236, 101

- D407,152 S * 3/1999 Colliver D23/333
- 5,901,656 A * 5/1999 Cheung 62/260
- D410,855 S 6/1999 Gordon
- D416,993 S * 11/1999 Dong et al. D23/333
- D423,656 S * 4/2000 De'Longhi D23/333
- D433,111 S 10/2000 Wright
- D448,836 S * 10/2001 De' Longhi D23/333

* cited by examiner

Primary Examiner—Brian N Vinson
(74) *Attorney, Agent, or Firm*—Watts Hoffmann Co. LPA

(57) **CLAIM**

We claim the ornamental design for an evaporative cooler, as shown and described.

DESCRIPTION

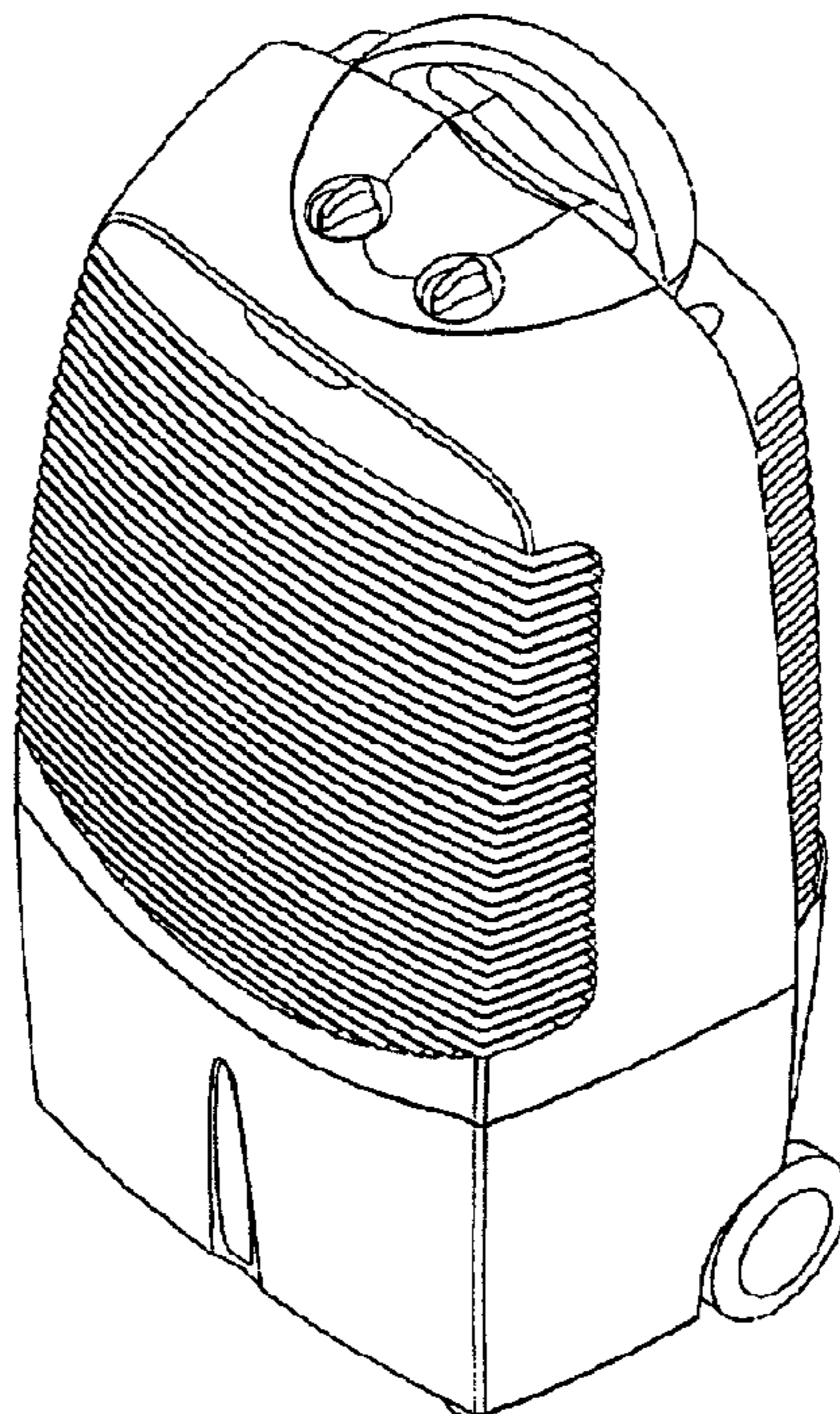
FIG. 1 is a top perspective view as seen from above and to the right of the cooler as seen in FIG. 3;
 FIG. 2 is a bottom perspective view as seen from below and to the right of the cooler as seen in FIG. 3;
 FIG. 3 is a front elevational view of the cooler;
 FIG. 4 is a rear elevational view of the cooler;
 FIG. 5 is a side elevational view of the left side of the cooler as viewed in FIG. 3;
 FIG. 6 is a side elevational view of the cooler as viewed from the right in FIG. 3;
 FIG. 7 is a top view of the cooler; and,
 FIG. 8 is a bottom view of the cooler.

(56) **References Cited**

U.S. PATENT DOCUMENTS

- D183,766 S * 10/1958 Petra D23/333
- D284,999 S * 8/1986 Worthington et al. D23/351
- D293,022 S 12/1987 Butcher
- D294,633 S 3/1988 McBratney
- D342,780 S 12/1993 Pendergrast et al.
- D353,883 S 12/1994 Blanchard
- D368,770 S * 4/1996 Tanner et al. D23/359

1 Claim, 4 Drawing Sheets



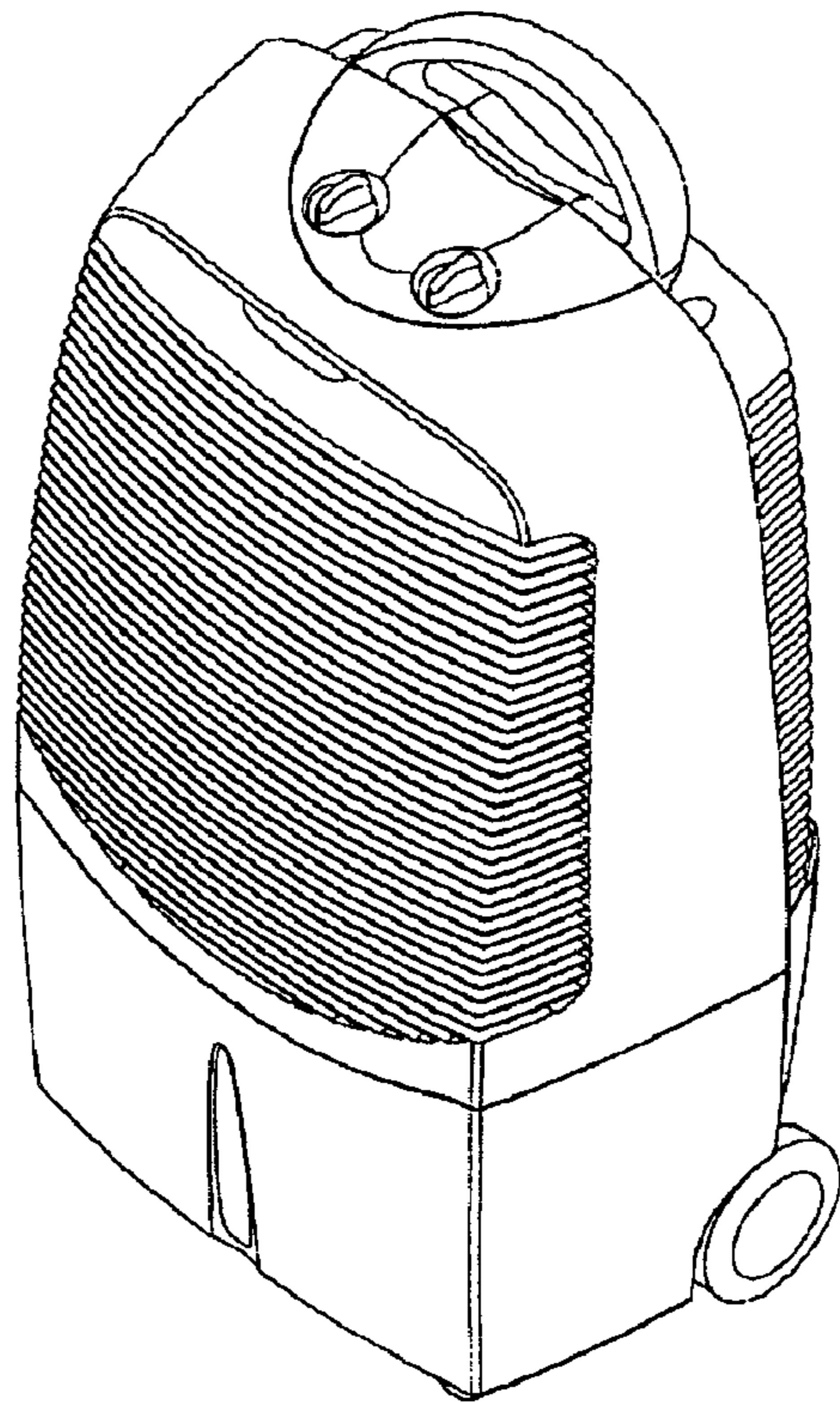


FIG. 1

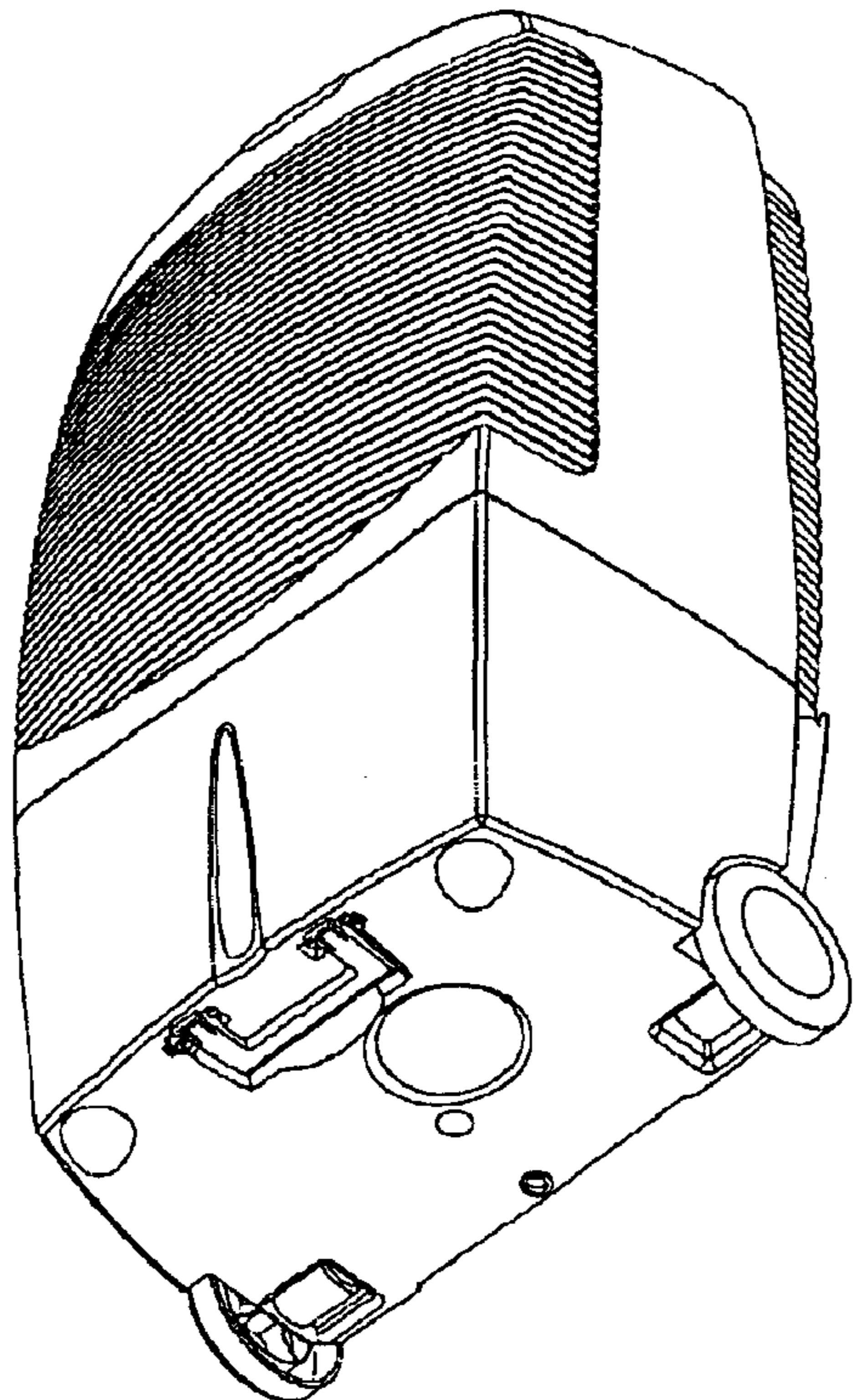


FIG. 2

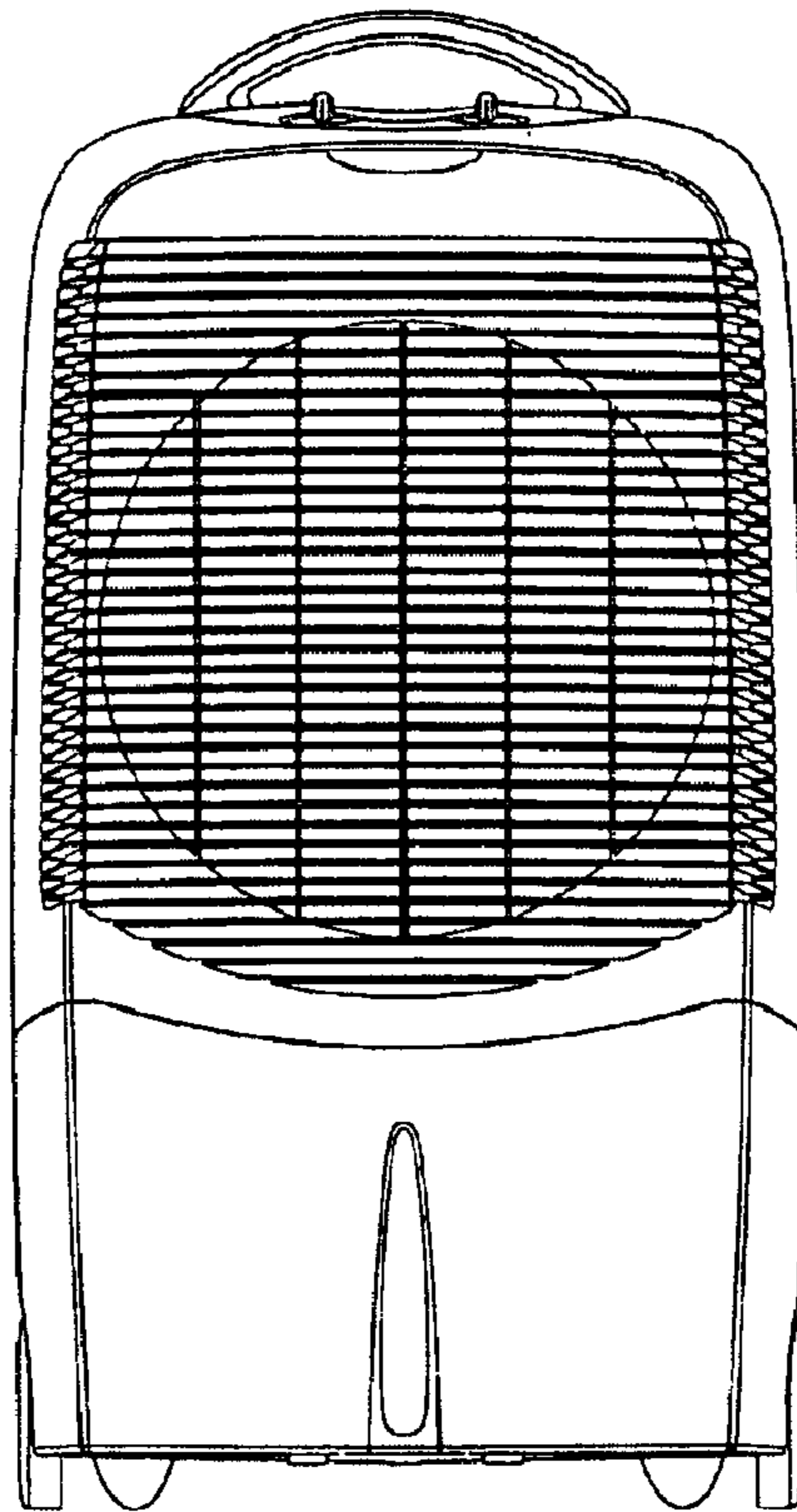


FIG. 3

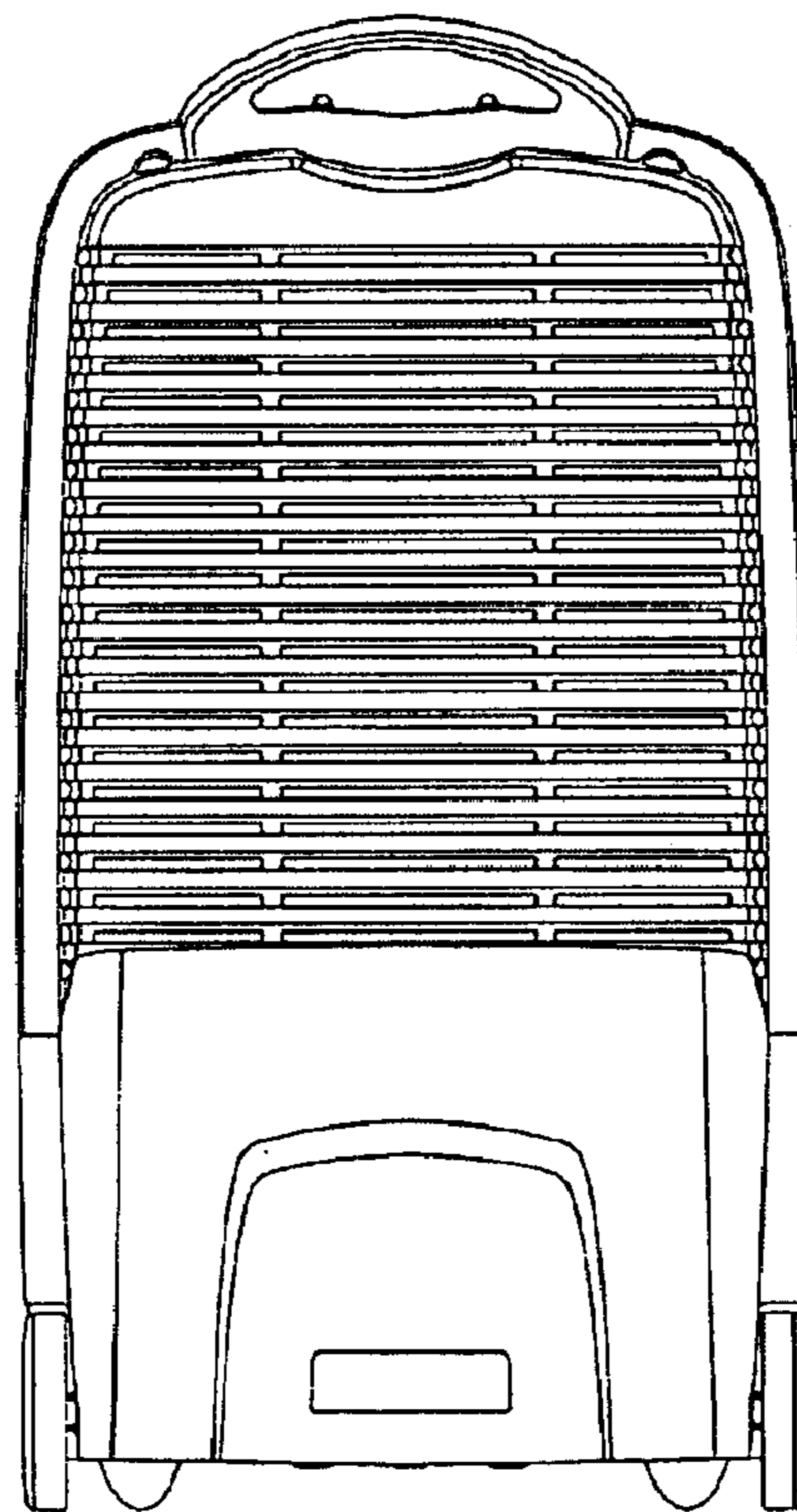


FIG. 4

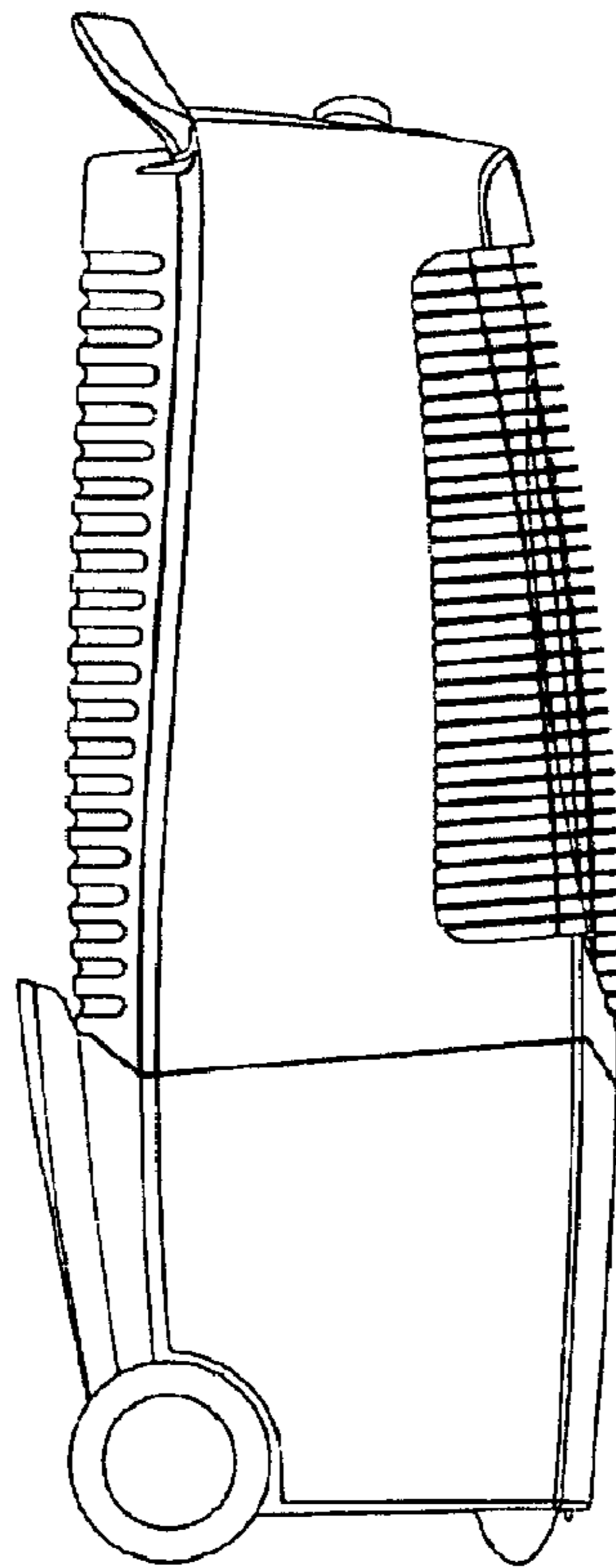


FIG. 5

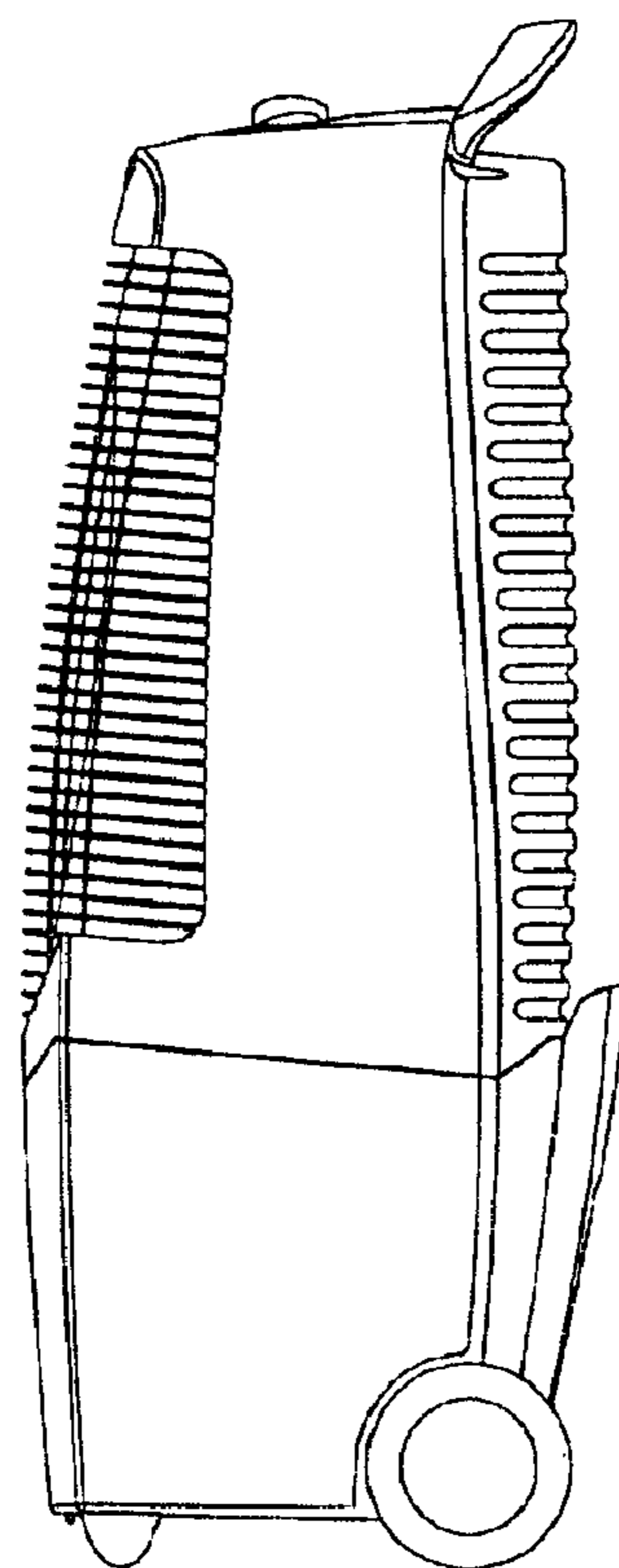


FIG. 6

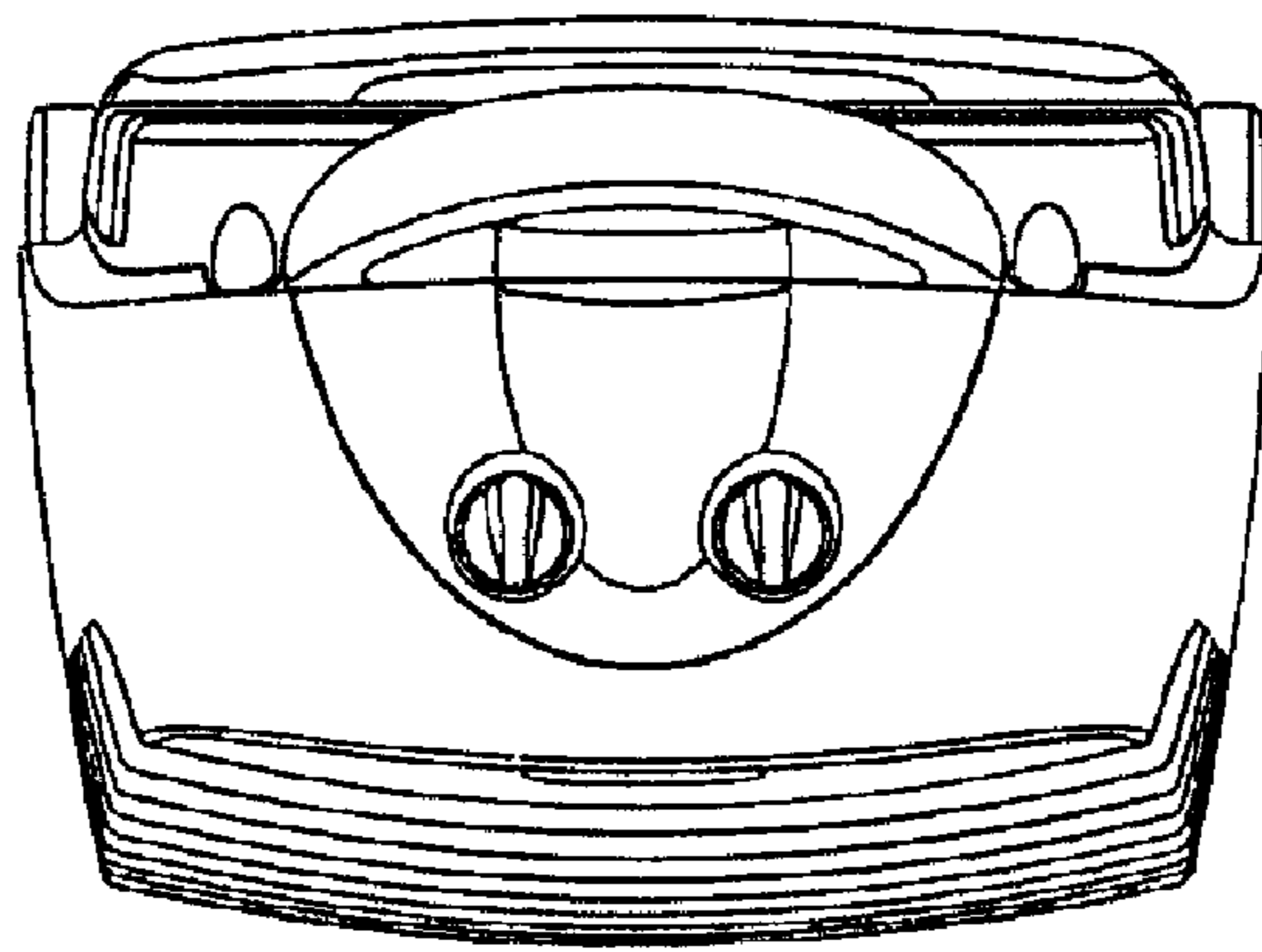


FIG. 7

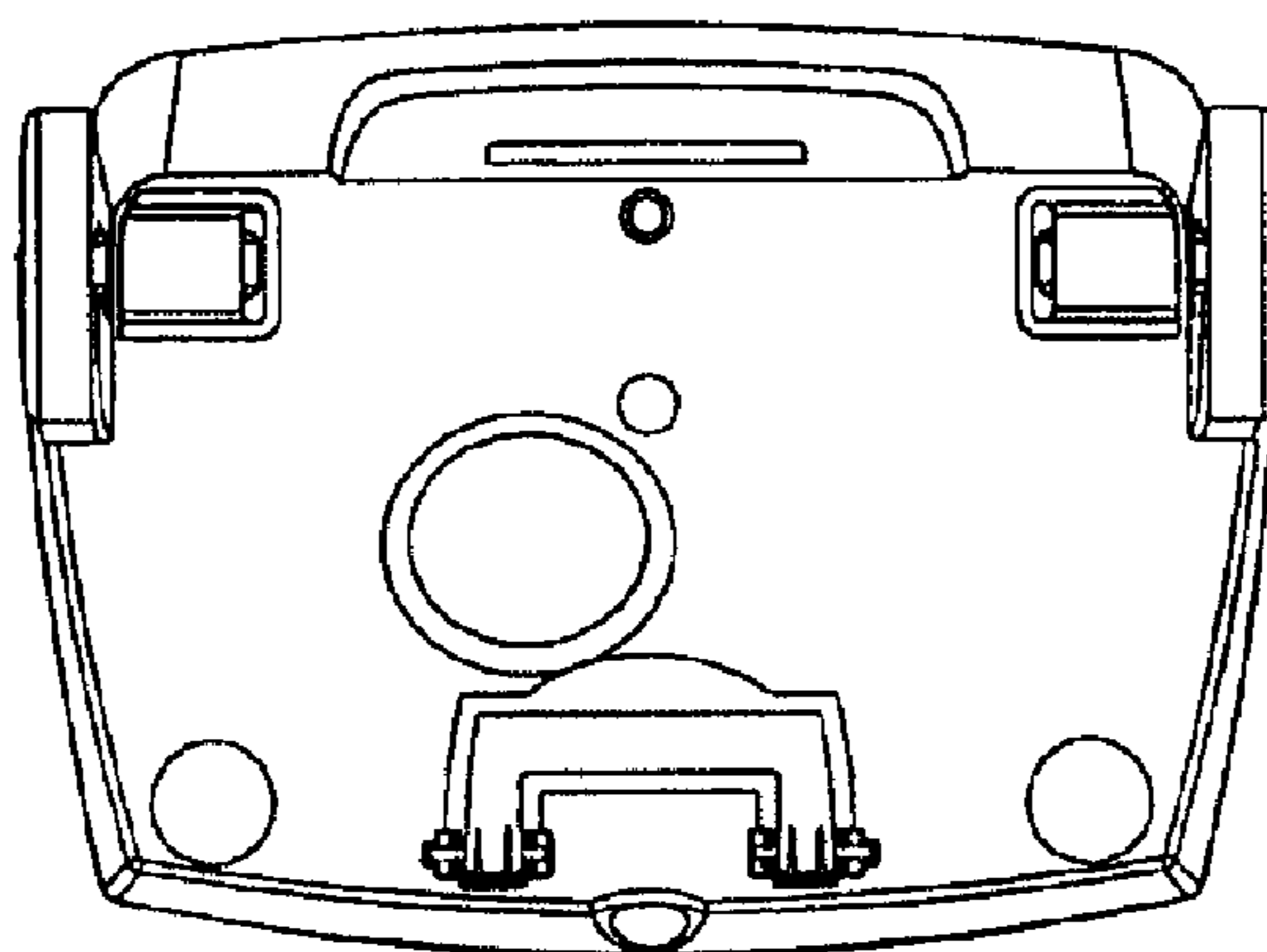


FIG. 8