

US00D503220S

(12) **United States Design Patent**
Kim

(10) **Patent No.:** **US D503,220 S**
(45) **Date of Patent:** **** Mar. 22, 2005**

(54) **ELECTRIC HEATER**

D385,022 S * 10/1997 Glenn et al. D23/332
D412,565 S * 8/1999 Lee D23/332
D413,660 S * 9/1999 Lee D23/332

(75) Inventor: **Sang-Won Kim, Ansan (KR)**

* cited by examiner

(73) Assignee: **JST Industries Co., Ltd., Kyoto (KR)**

Primary Examiner—Brian N Vinson

(**) Term: **14 Years**

(74) *Attorney, Agent, or Firm*—Mayer, Brown, Rowe & Maw LLP

(21) Appl. No.: **29/197,658**

(22) Filed: **Jan. 20, 2004**

(57) **CLAIM**

(30) **Foreign Application Priority Data**

The ornamental design for the electric heater, as shown and described.

Aug. 12, 2003 (KR) 30-2003-0022878

DESCRIPTION

(51) **LOC (7) Cl.** **23-03**

FIG. 1 is a perspective view of the electric heater according to the invention;

(52) **U.S. Cl.** **D23/332**

FIG. 2 is a front elevational view thereof;

(58) **Field of Search** D23/314, 317,

FIG. 3 is a rear elevational view thereof;

D23/332, 335–338, 340–341; 392/360,
365–69, 373–76; 312/236; 126/110 B, 110 D,
90 A, 92 A

FIG. 4 is a left side elevational view thereof, and the right side elevational view is a mirror image of the left side.

(56) **References Cited**

FIG. 5 is a top plan view thereof; and,

U.S. PATENT DOCUMENTS

FIG. 6 is a bottom plan view thereof.

D312,684 S * 12/1990 Geissler et al. D23/336

1 Claim, 5 Drawing Sheets

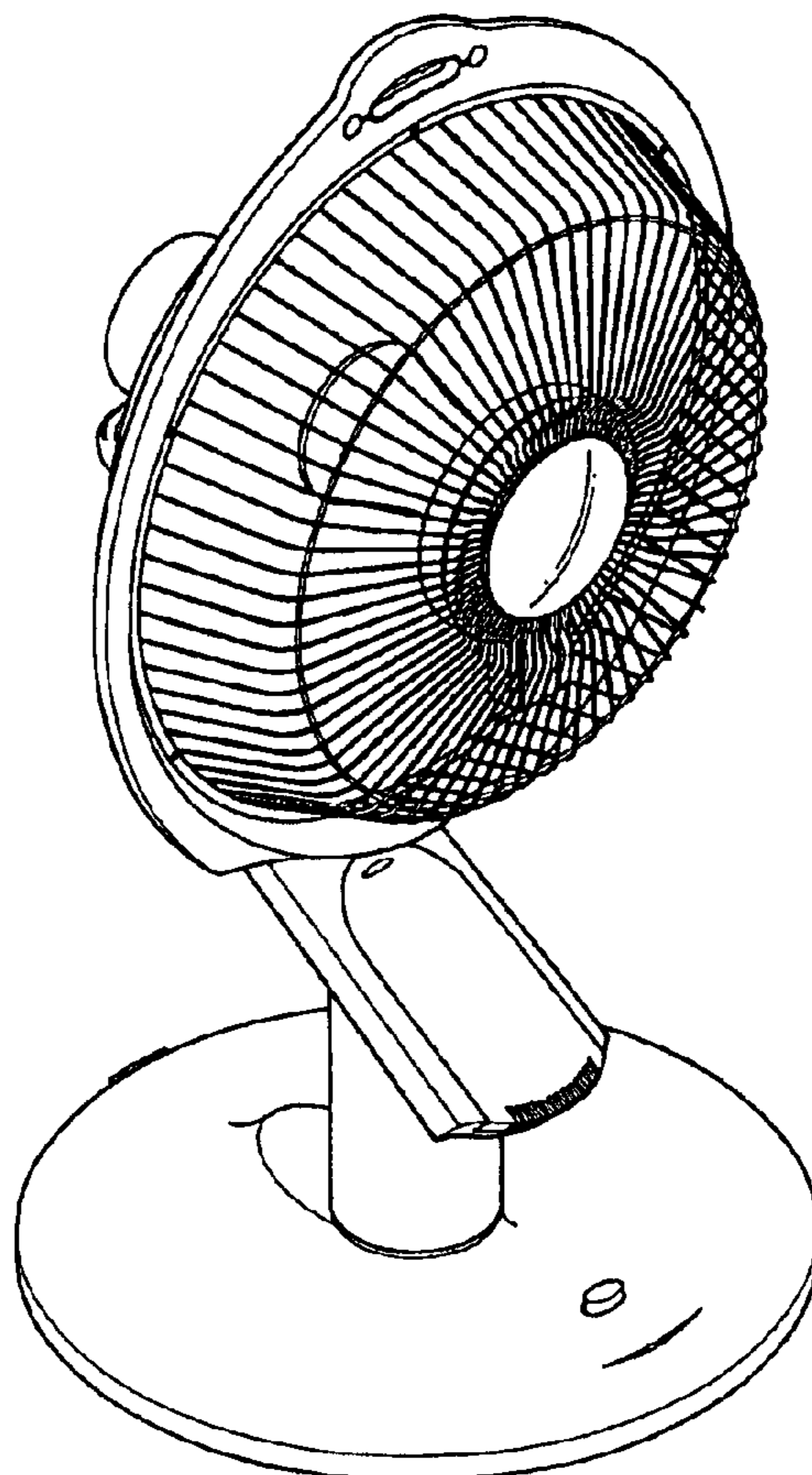


FIG. 1

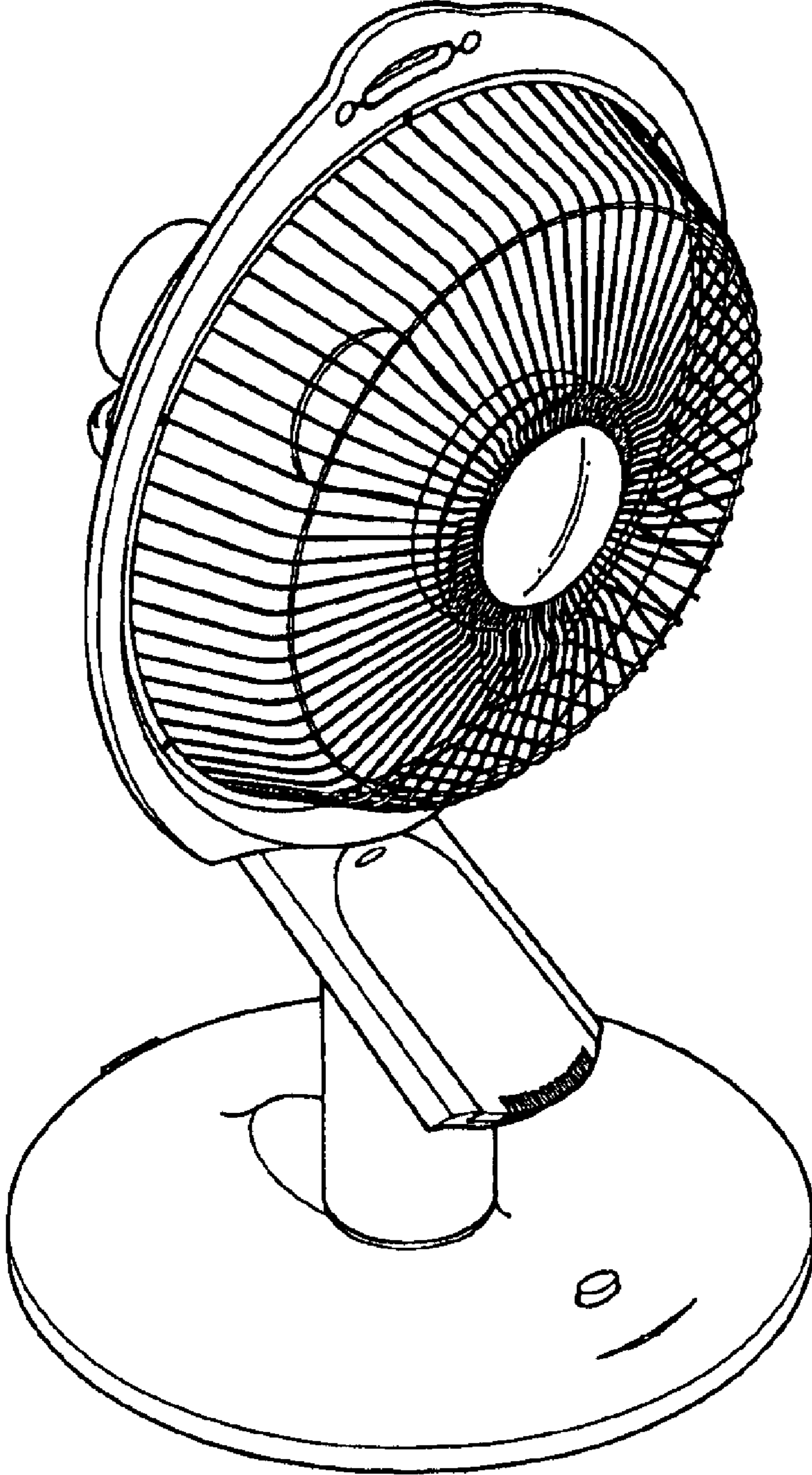


FIG. 2

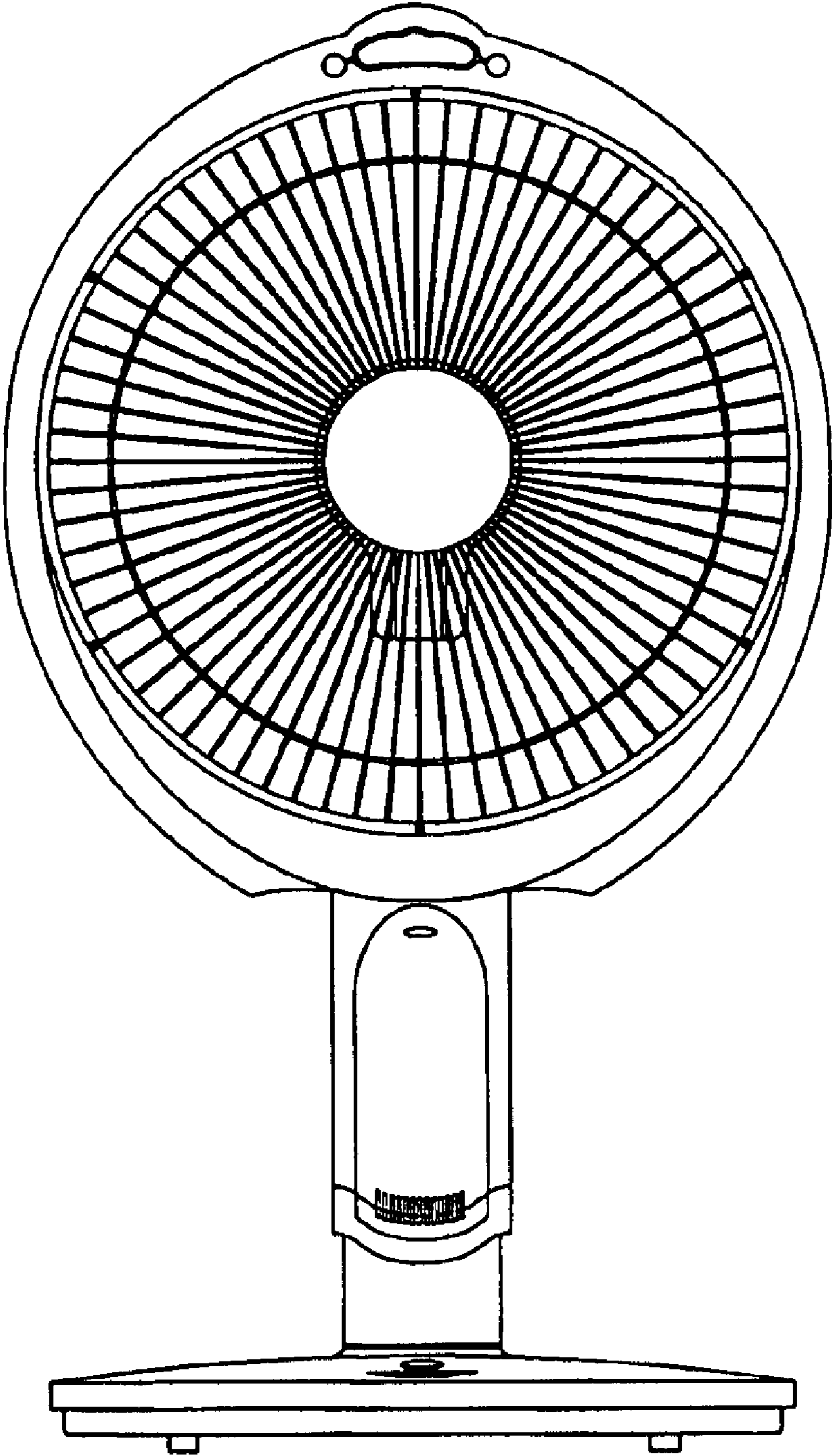


FIG. 3

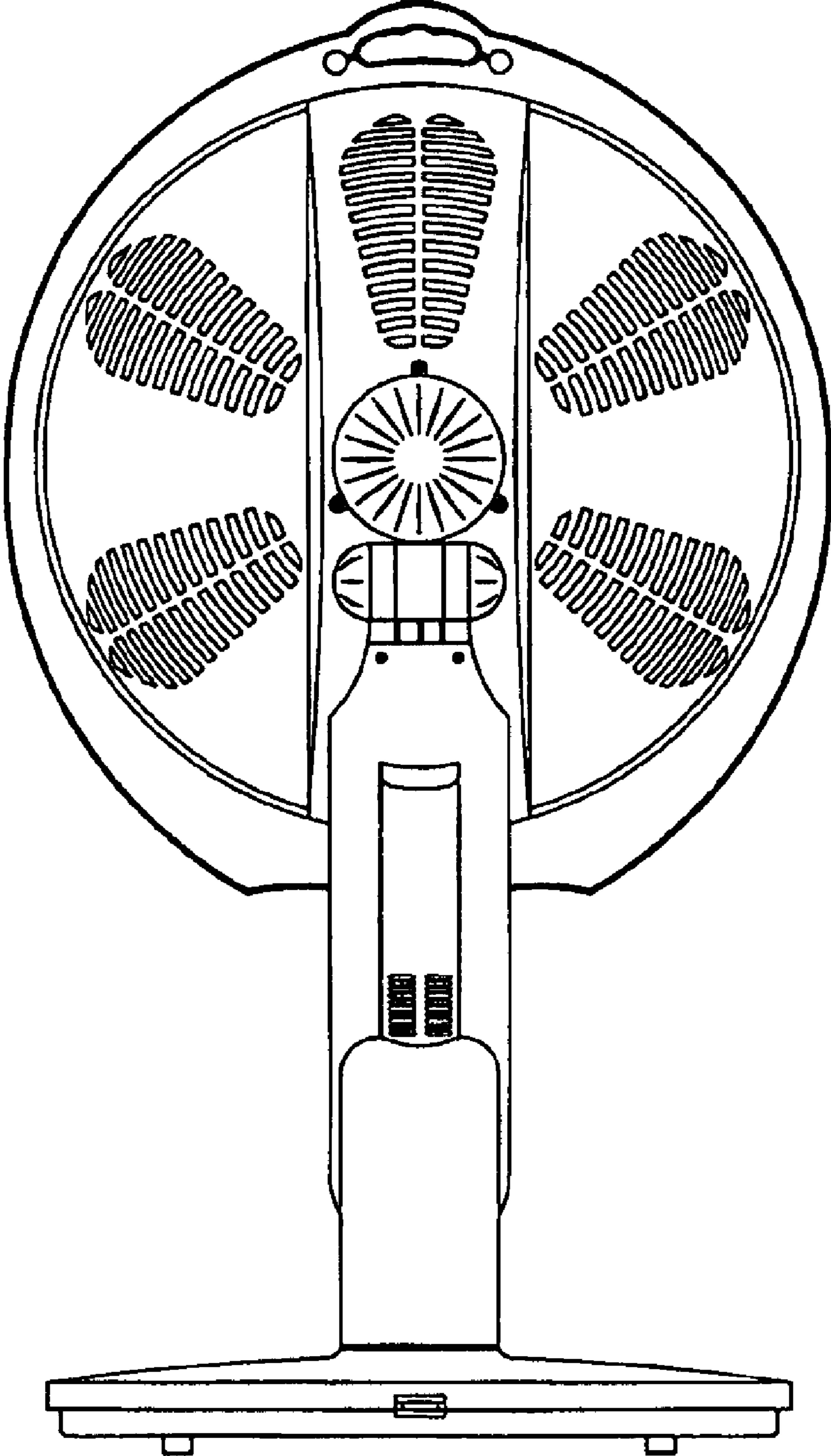


FIG. 4

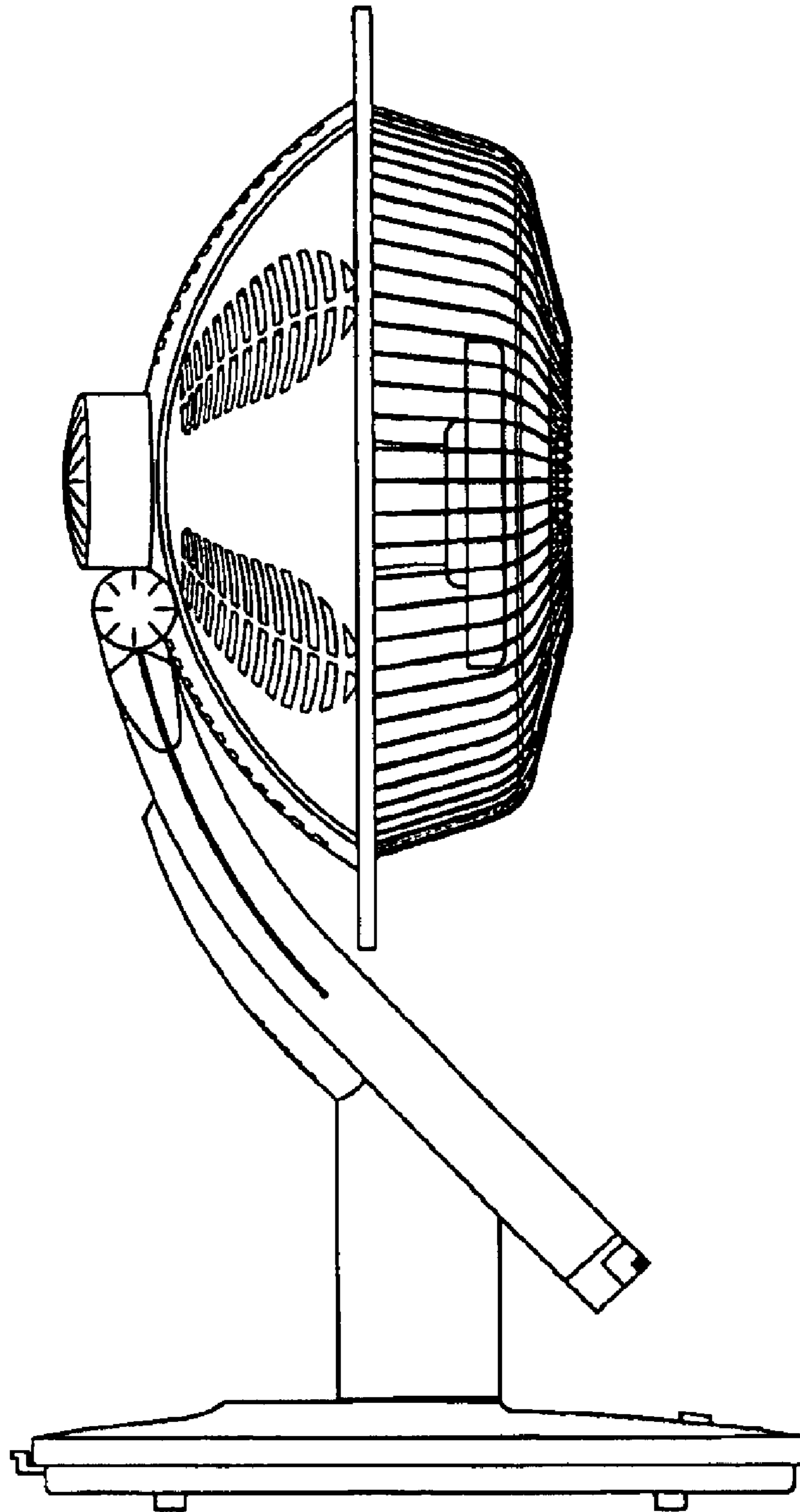


FIG. 5

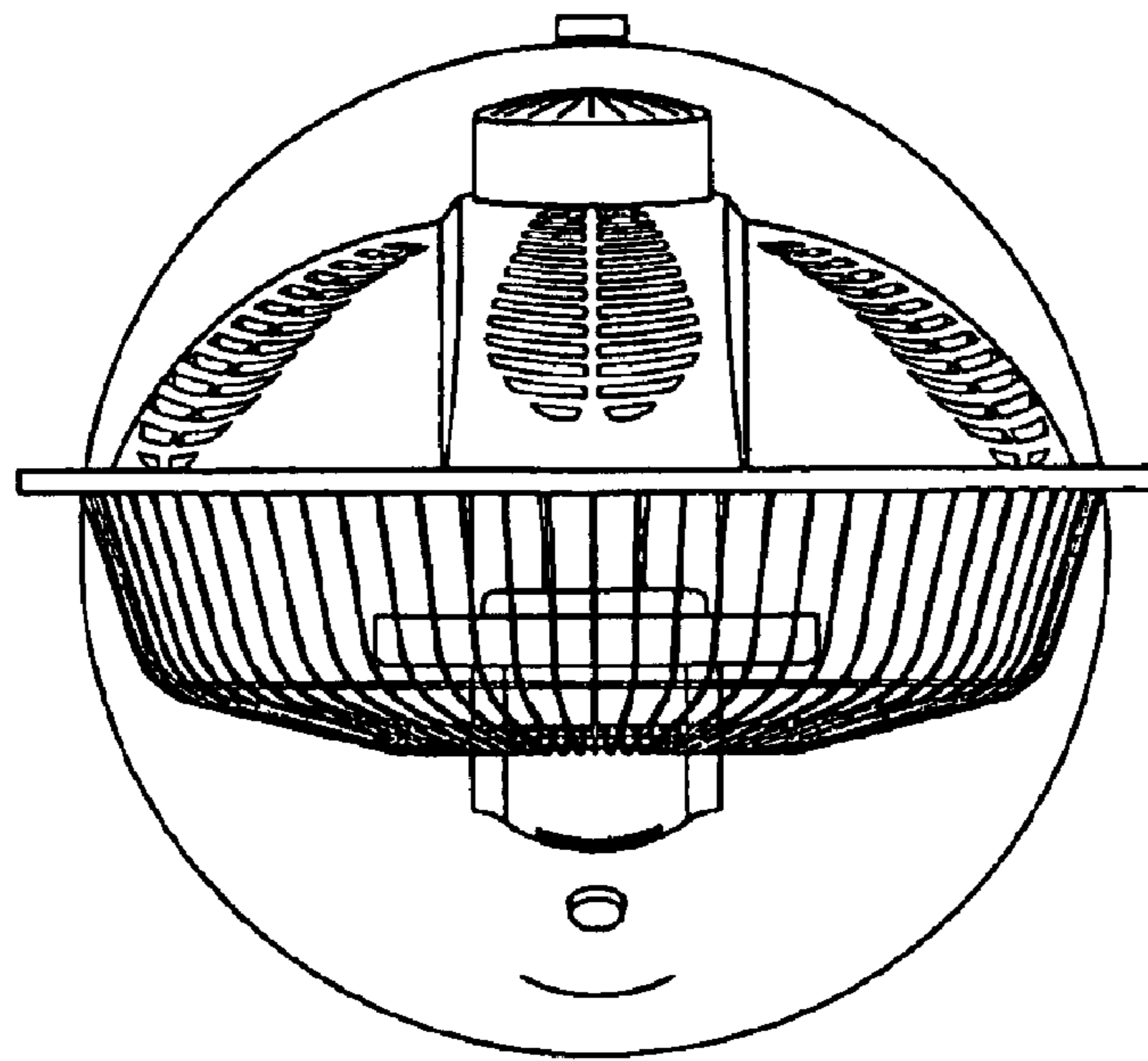


FIG. 6

