

US00D503219S

(12) **United States Design Patent**
Giugiaro

(10) **Patent No.:** **US D503,219 S**
(45) **Date of Patent:** **** Mar. 22, 2005**

(54) **CASING OF APPARATUS FOR THE
CONDITIONING, COOLING AND/OR
HEATING**

D469,525 S * 1/2003 Giugiaro D23/328
D484,960 S * 1/2004 Giugiaro D23/328

* cited by examiner

(75) Inventor: **Giorgetto Giugiaro, Moncalieri (IT)**

Primary Examiner—Brian N Vinson

(73) Assignee: **Aermec S.p.A., Bevilacqua (IT)**

(74) *Attorney, Agent, or Firm*—Notaro & Michalos P.C.

(**) Term: **14 Years**

(57) **CLAIM**

(21) Appl. No.: **29/196,293**

The ornamental design for a, casing of apparatus for the conditioning, cooling and/or heating, as shown and described.

(22) Filed: **Dec. 24, 2003**

(30) **Foreign Application Priority Data**

DESCRIPTION

Jul. 24, 2003 (EP) 000055843

FIG. 1 is a front top left side perspective view of a casing of apparatus for the conditioning, cooling and/or heating;

(51) **LOC (7) Cl.** **23-04**

FIG. 2 is a front elevational view thereof;

(52) **U.S. Cl.** **D23/328**

FIG. 3 is a rear elevational view thereof;

(58) **Field of Search** D23/328, 342,
D23/314, 330, 351, 333; 312/236, 238,
400; 62/259.1, 259.4, 262, 263; 165/22;
454/201-204; 126/92 A, 92 B; 392/365-69,
373-76

FIG. 4 is a left-side elevational view thereof;

FIG. 5 is a right-side elevational view thereof;

(56) **References Cited**

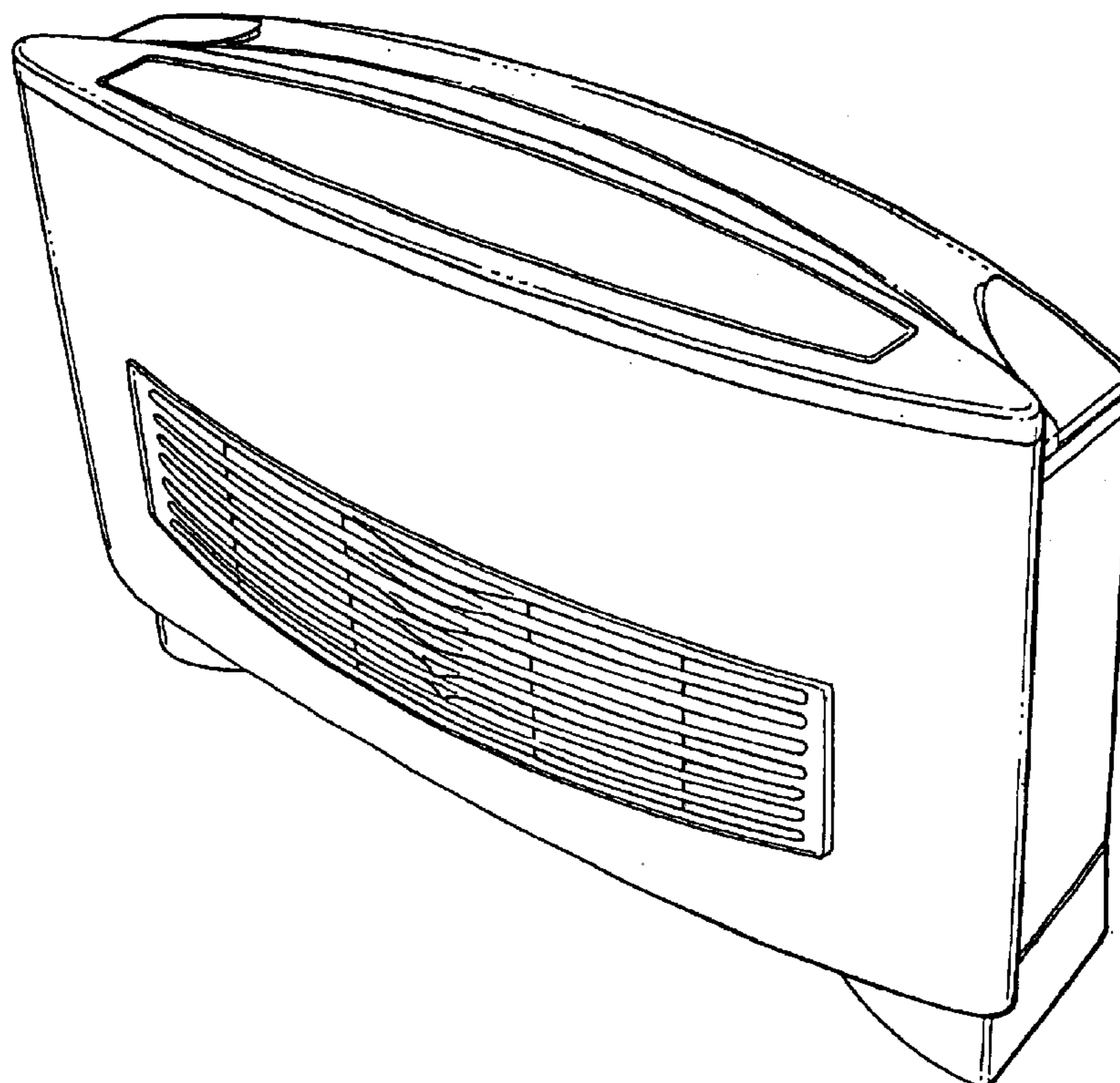
FIG. 6 is a top plan view thereof; and,

FIG. 7 is a bottom plan view thereof.

U.S. PATENT DOCUMENTS

D454,188 S * 3/2002 Nonaka D23/351

1 Claim, 3 Drawing Sheets



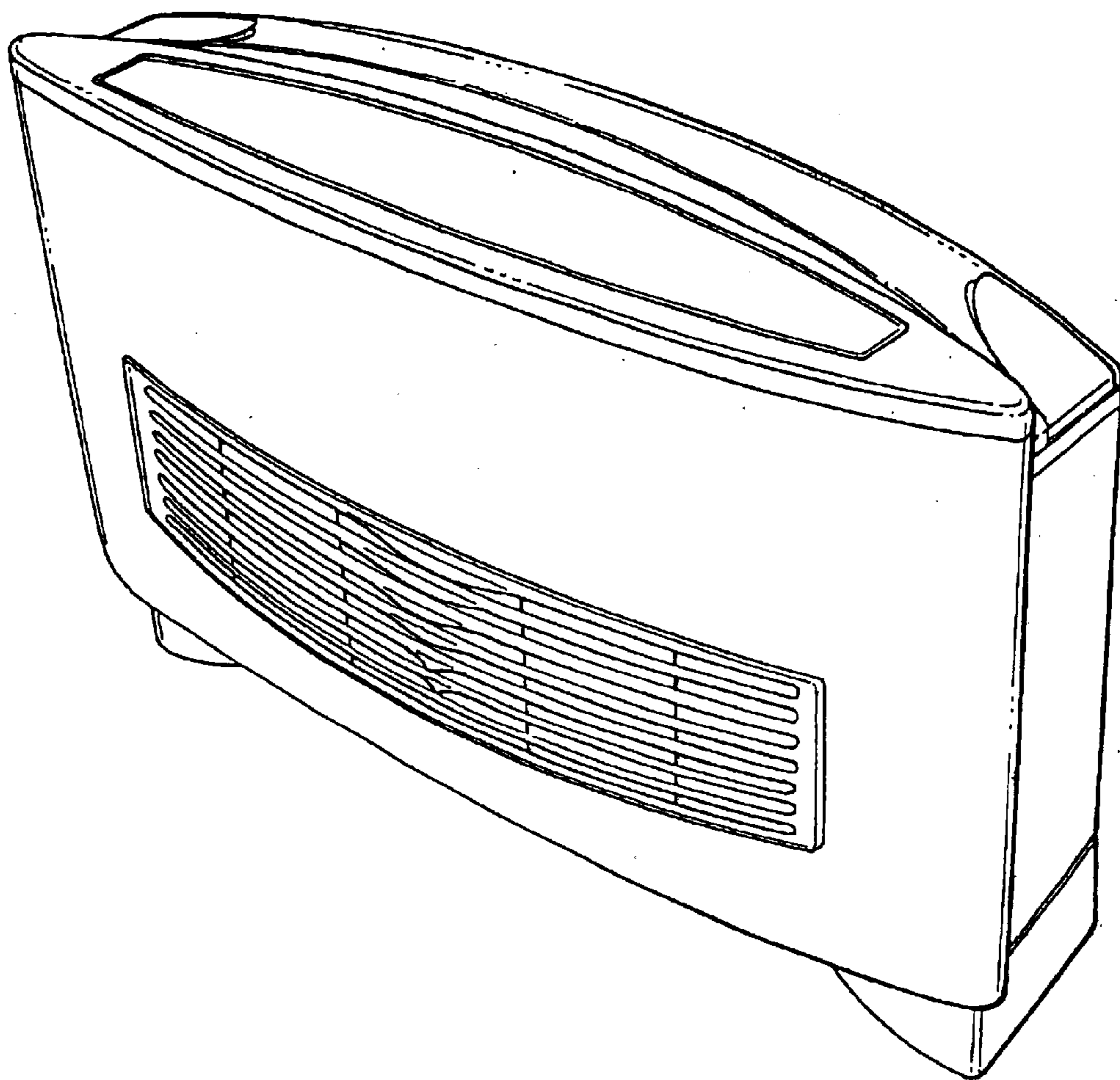


FIG. 1

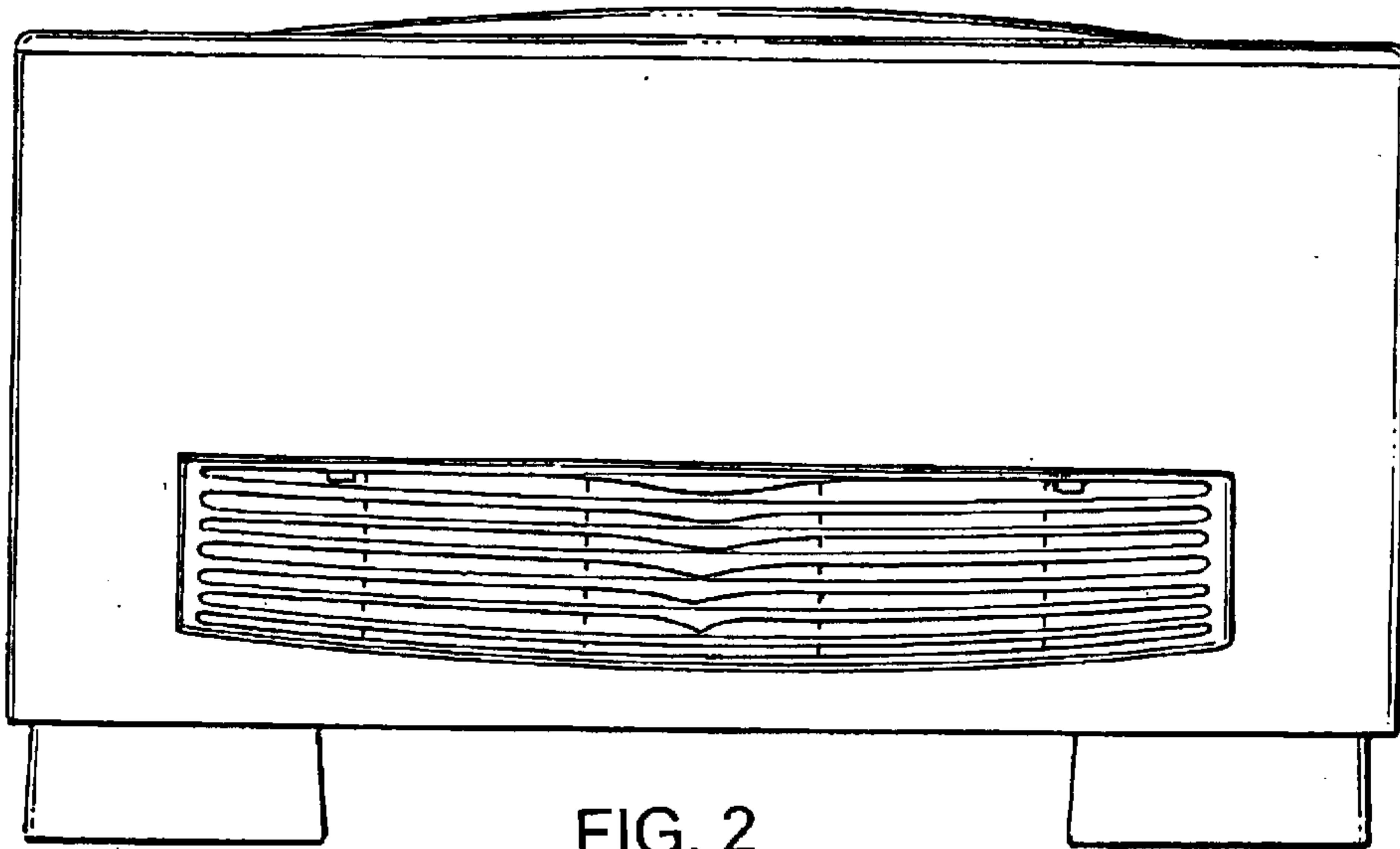


FIG. 2

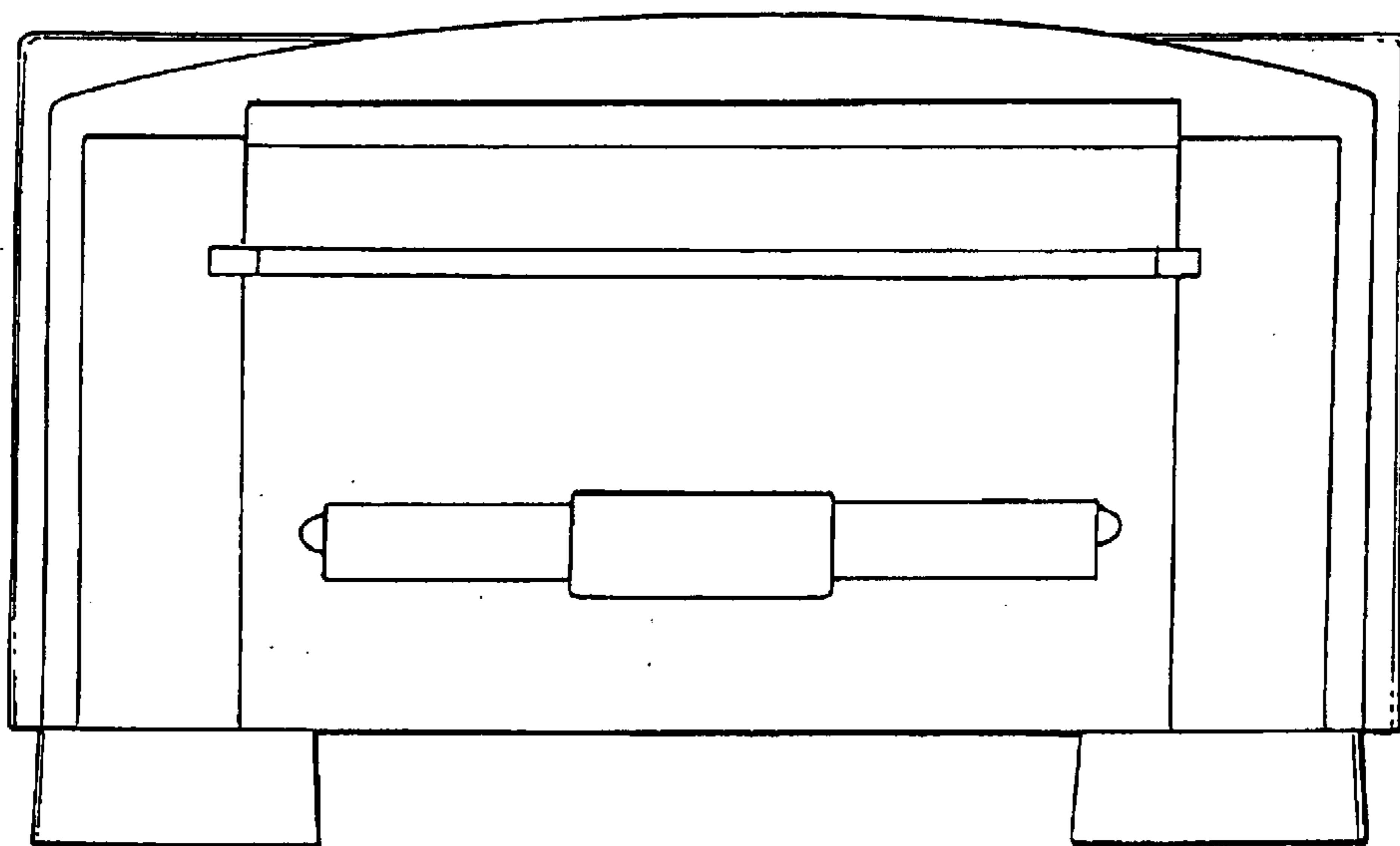


FIG. 3

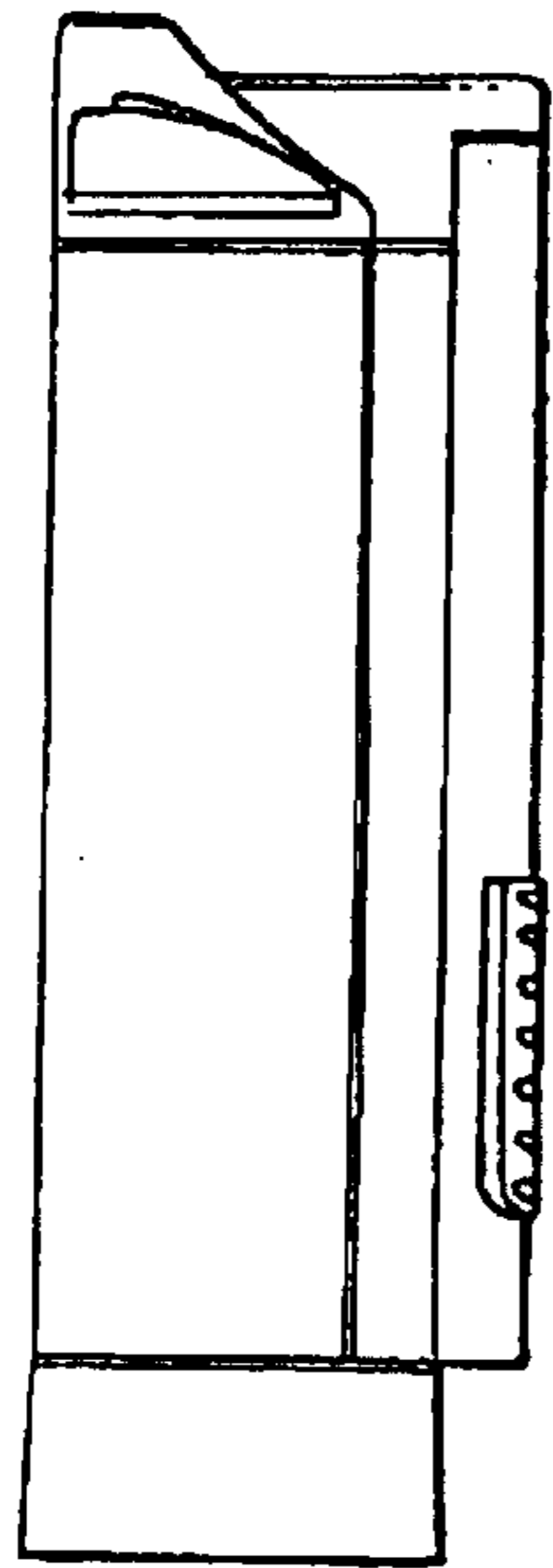


FIG. 4

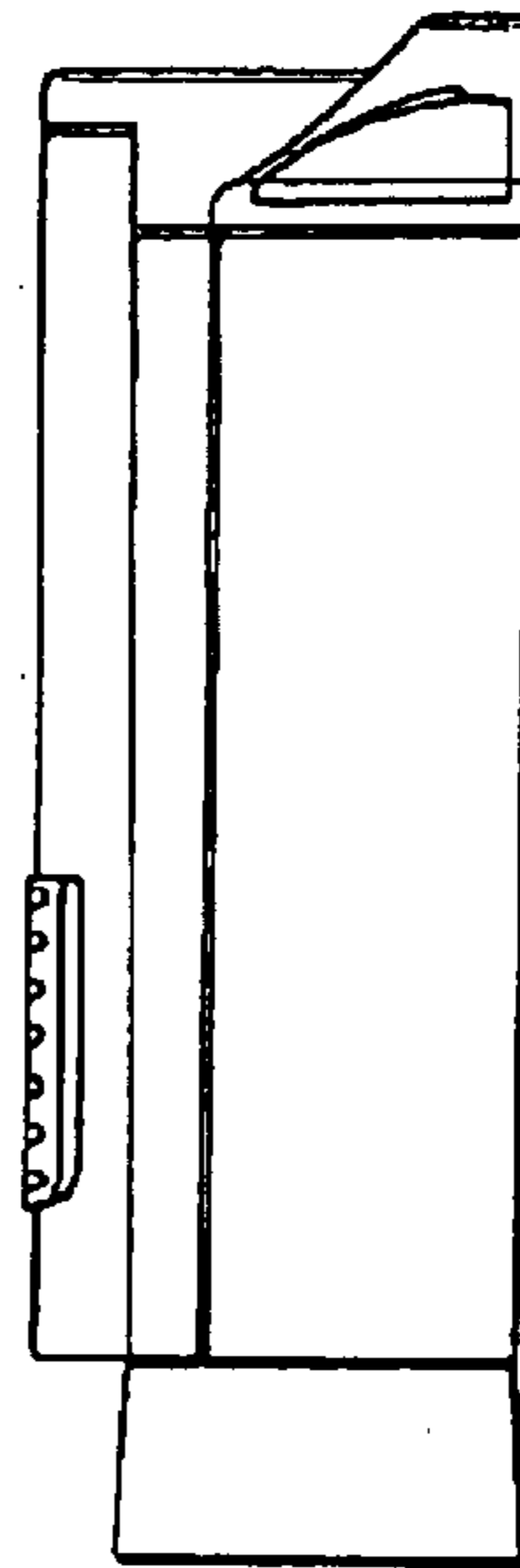


FIG. 5

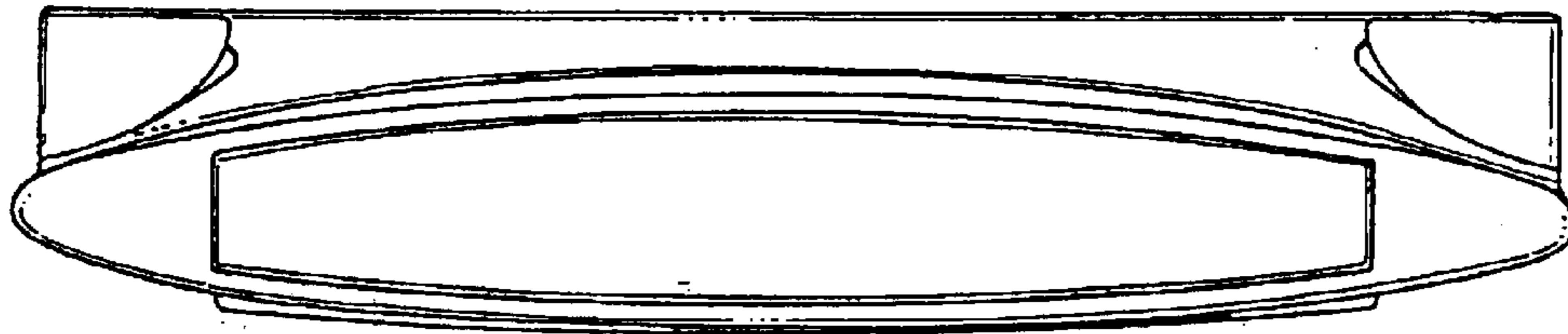


FIG. 6

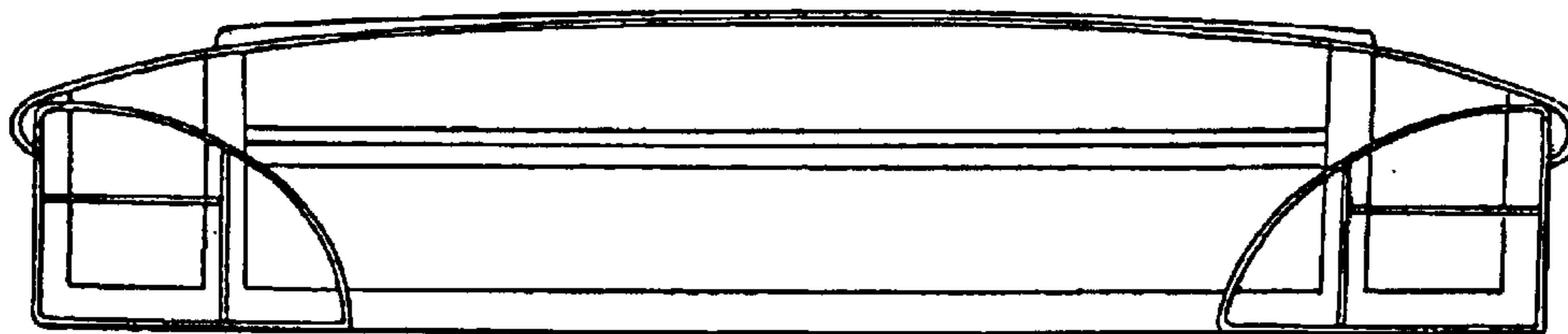


FIG. 7