



US00D503213S

(12) **United States Design Patent**
Stevens et al.

(10) **Patent No.:** **US D503,213 S**
(45) **Date of Patent:** **** Mar. 22, 2005**

(54) **PAINT SPRAY GUN**

(75) Inventors: **Kevin Stevens**, Shakopee, MN (US);
Micah Somers, Minneapolis, MN (US);
Martijn Loerakker, Minneapolis, MN (US)

(73) Assignee: **Wagner Spray Tech Corporation**,
Plymouth, MN (US)

(**) Term: **14 Years**

(21) Appl. No.: **29/196,485**

(22) Filed: **Dec. 30, 2003**

(51) **LOC (7) Cl.** **23-01**

(52) **U.S. Cl.** **D23/225**

(58) **Field of Search** D23/213, 225;
239/DIG. 14, 332, 310, 316

(56) **References Cited**

U.S. PATENT DOCUMENTS

4,693,423 A * 9/1987 Roe et al. 239/332
D461,226 S * 8/2002 Hunter D23/225

D467,991 S * 12/2002 Ibele D23/225
D477,384 S * 7/2003 Williams et al. D23/225
D495,400 S * 8/2004 Hopper D23/225

* cited by examiner

Primary Examiner—Robin V. Taylor

(74) *Attorney, Agent, or Firm*—Faegre & Benson, LLP

(57) **CLAIM**

The ornamental design for a paint spray gun, as shown.

DESCRIPTION

FIG. 1 is a perspective view of the paint spray gun of the present invention.

FIG. 2 is a rear view of the present invention.

FIG. 3 is a front view of the present invention.

FIG. 4 is a right hand side view of the present invention.

FIG. 5 is a left hand side view of the present invention.

FIG. 6 is a top view of the present invention; and,

FIG. 7 is a bottom view of the present invention.

The broken line showing in FIGS. 1 and 4-7 is for illustrative purposes only and forms no part of the claimed design.

1 Claim, 7 Drawing Sheets

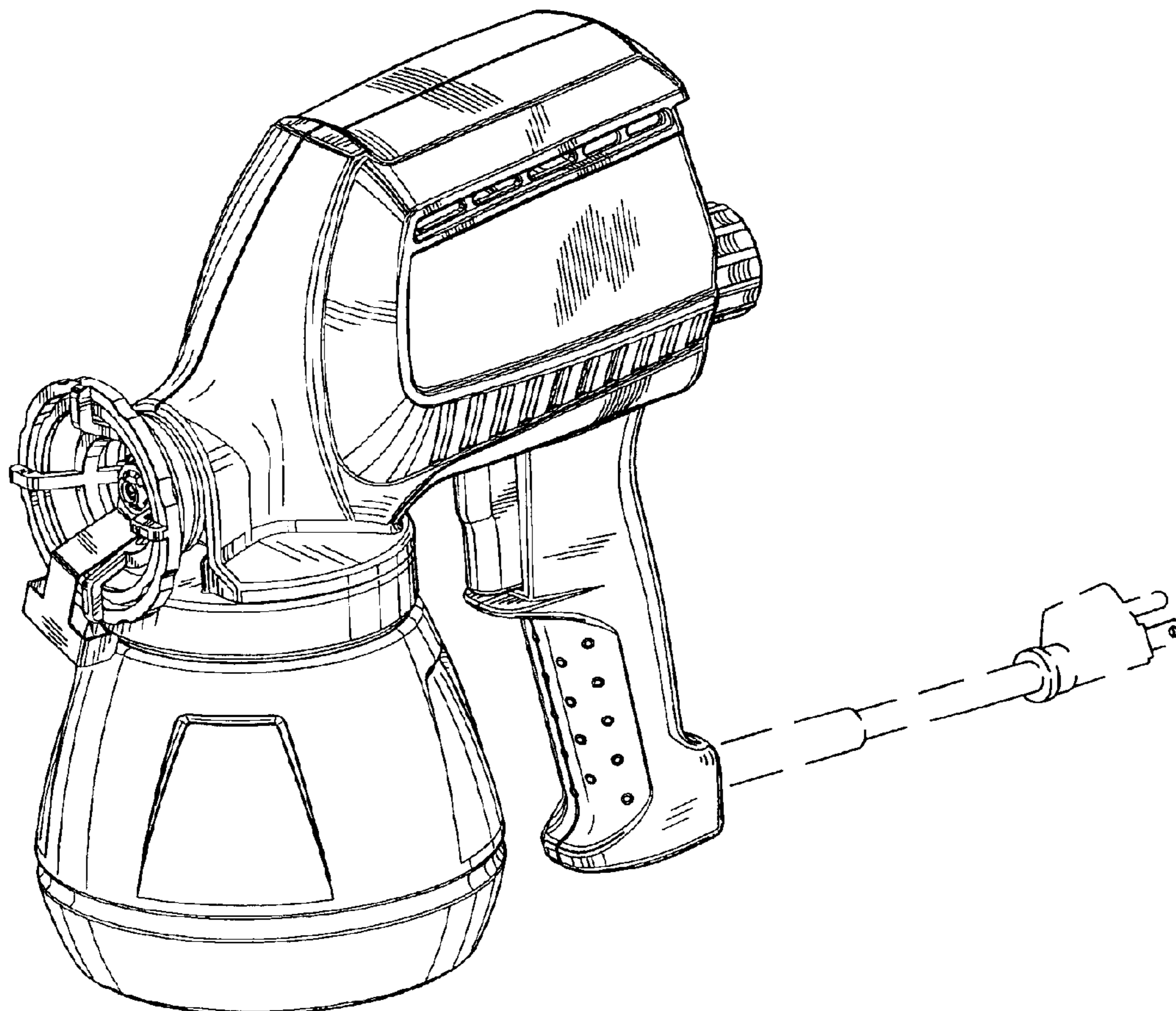


FIG. 1

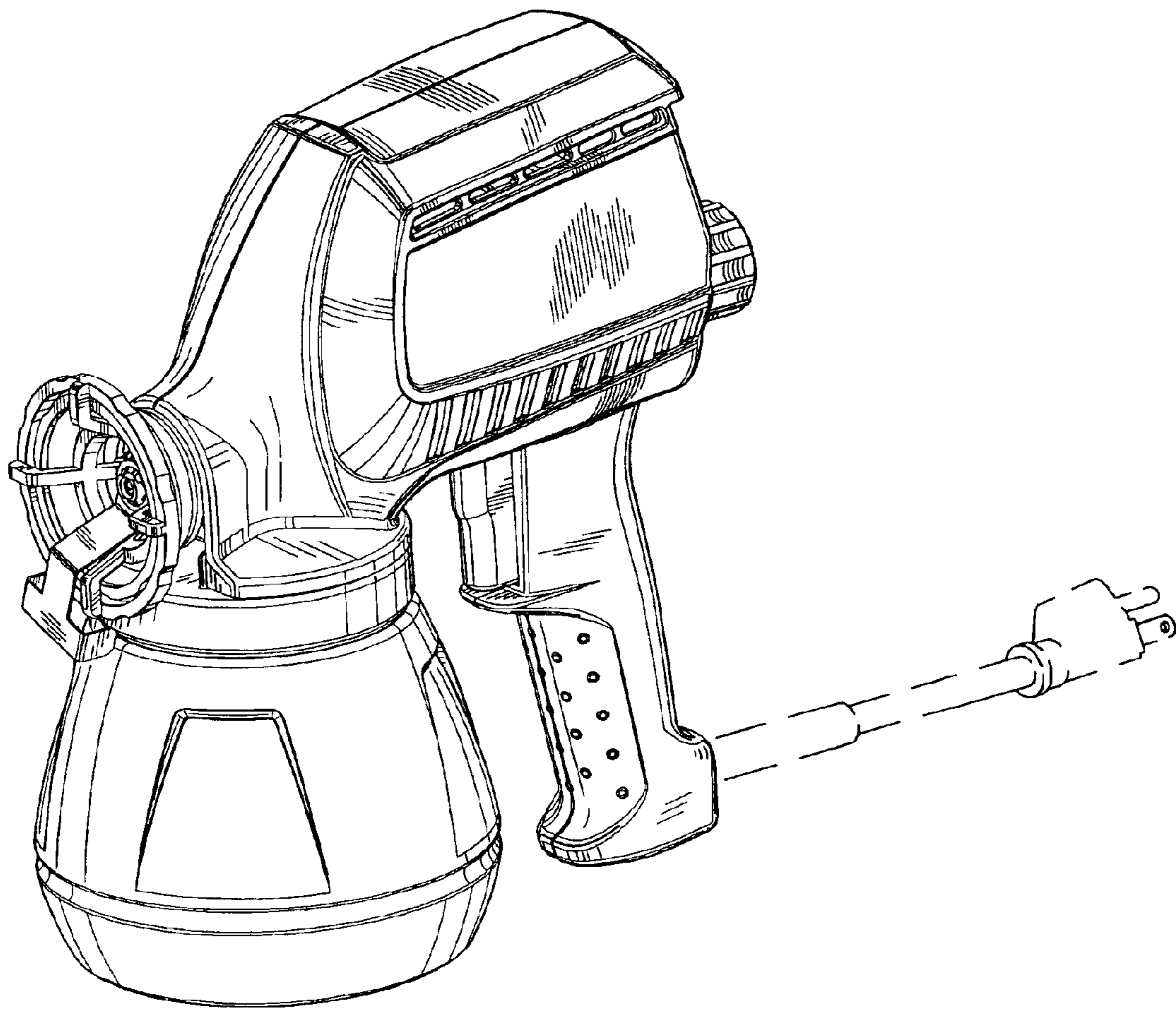


FIG. 2

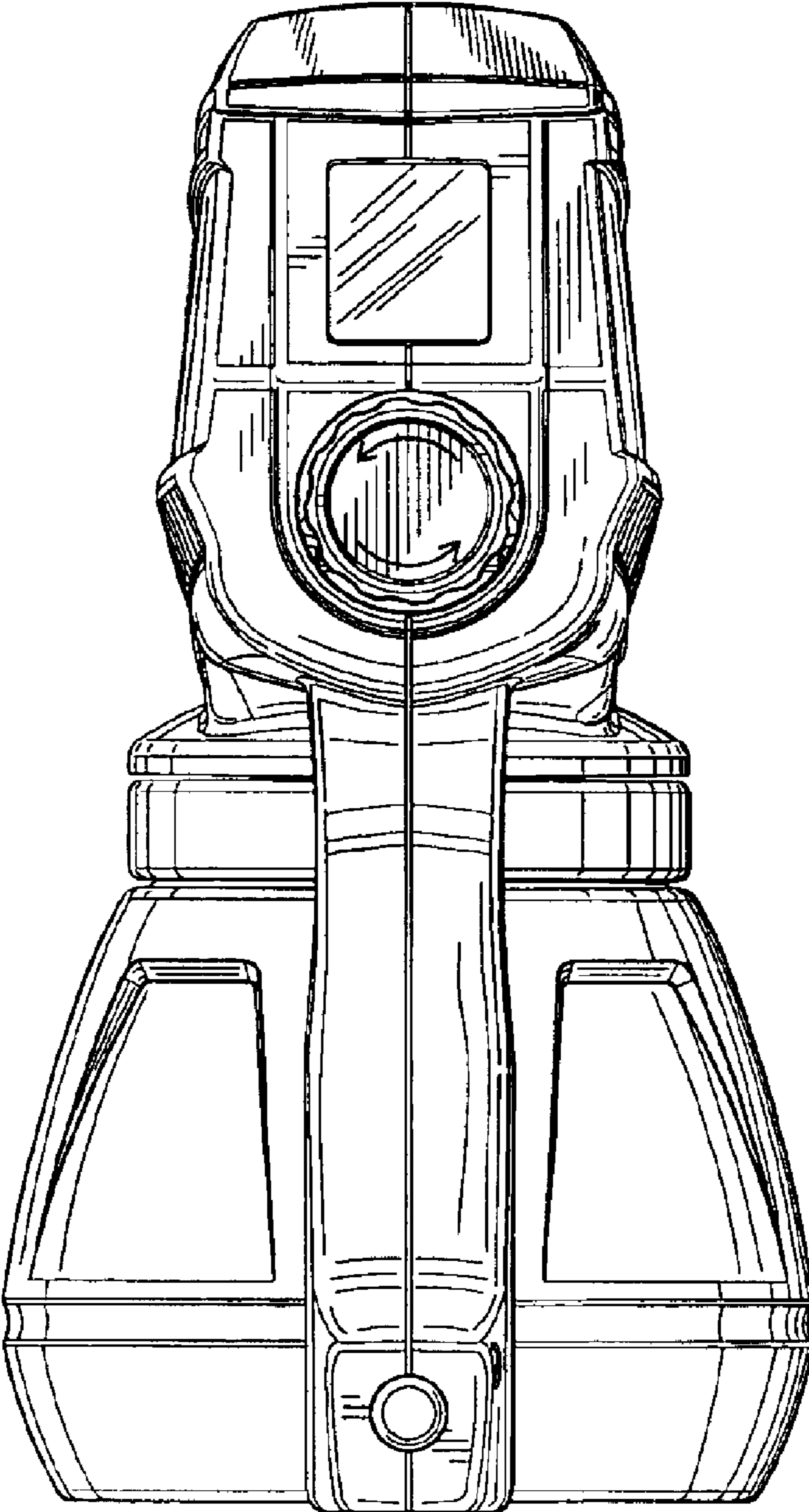


FIG. 3

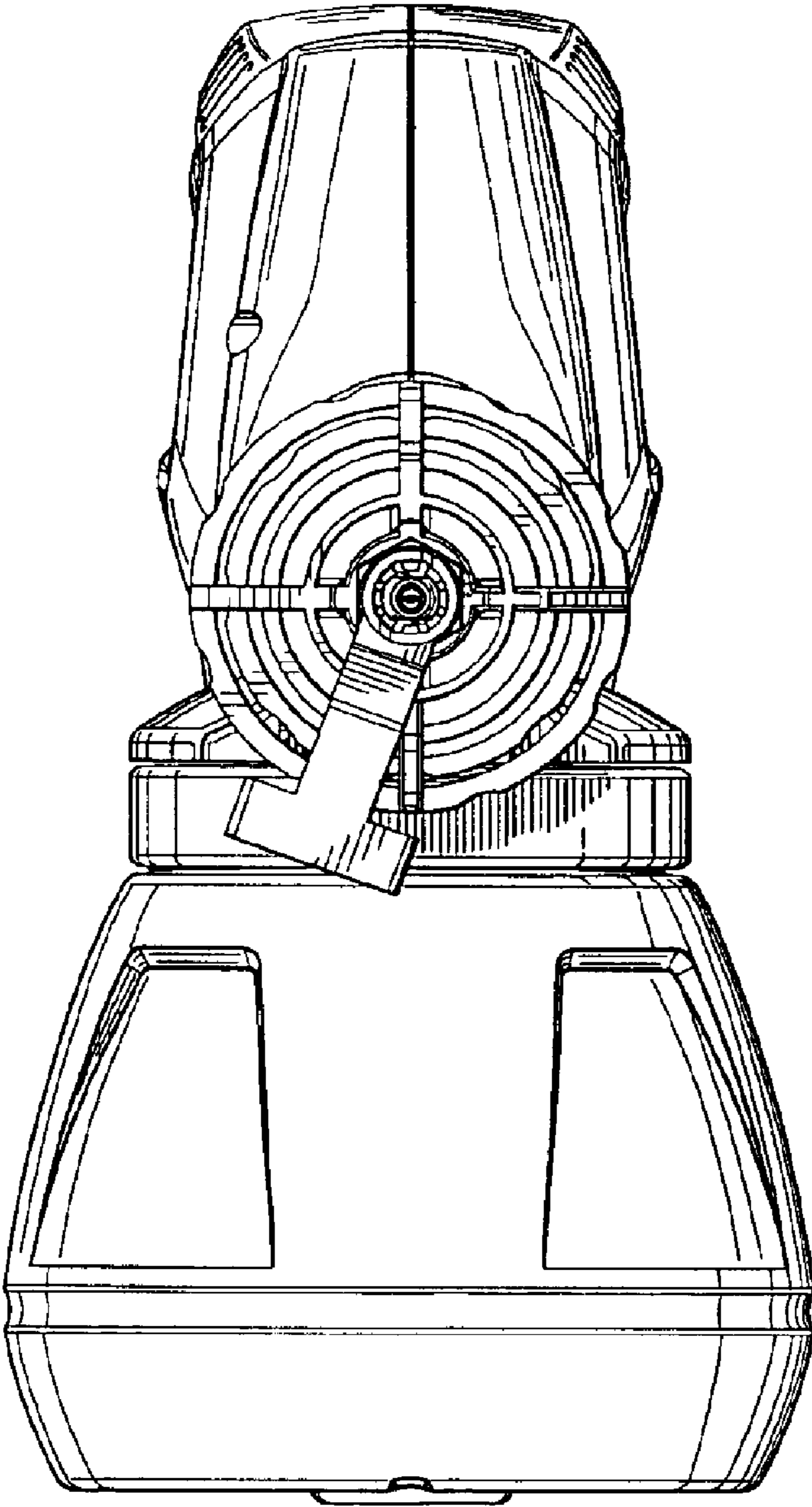


FIG. 4

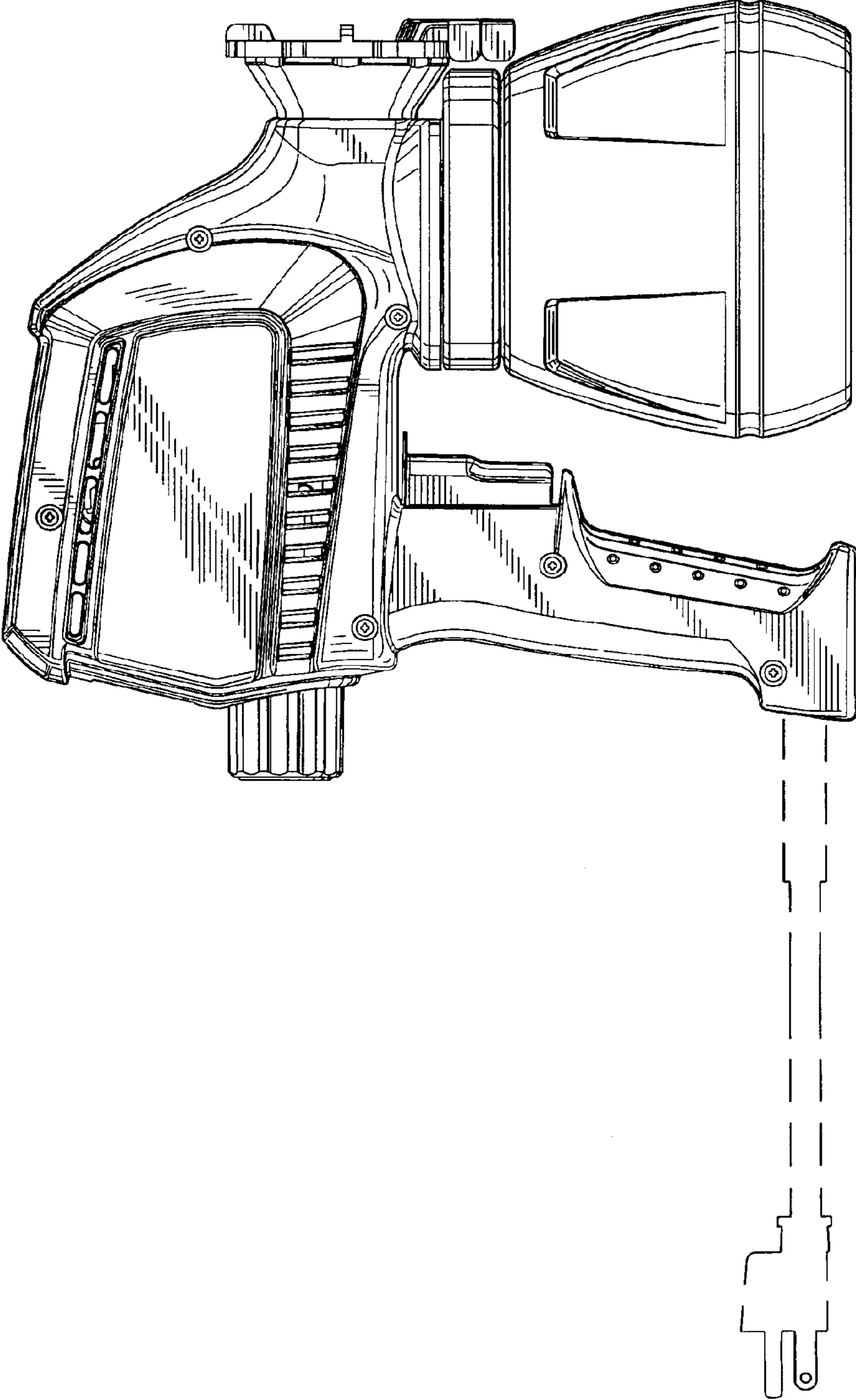


FIG. 5

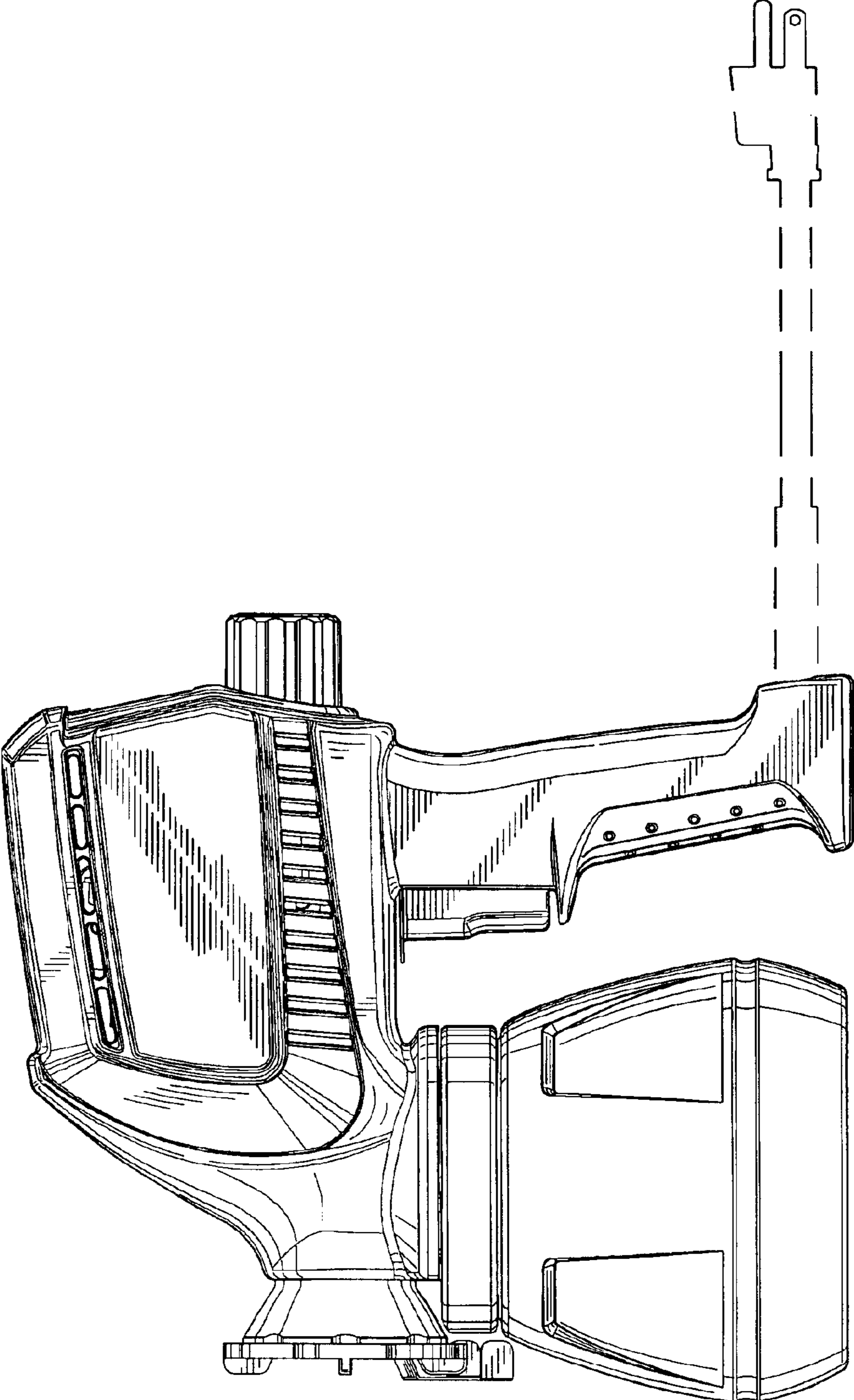


FIG. 6

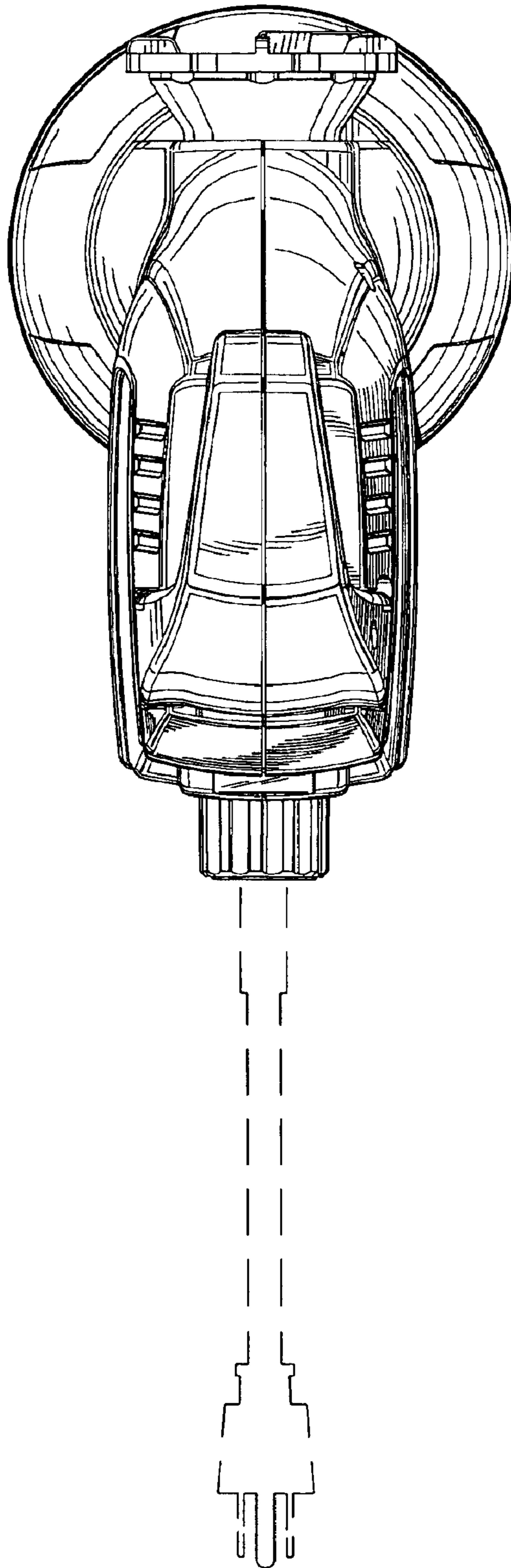


FIG. 7

