

US00D503211S

(12) **United States Design Patent**  
**Lin**

(10) **Patent No.:** **US D503,211 S**  
(45) **Date of Patent:** **\*\* Mar. 22, 2005**

(54) **SHOWER HEAD**

D465,824 S \* 11/2002 Barry ..... D23/213  
D495,777 S \* 9/2004 Aubry et al. .... D23/213  
D495,778 S \* 9/2004 Jorgensen et al. .... D23/213

(75) Inventor: **Shih Hung Lin**, Taichung Export  
Processing Zone (TW)

\* cited by examiner

(73) Assignee: **Globe Union Industrial Corp.**,  
Taichung Export Processing Zone (TW)

*Primary Examiner*—Robin V. Taylor  
(74) *Attorney, Agent, or Firm*—Leong C. Lei

(\*\*) Term: **14 Years**

(57) **CLAIM**

(21) Appl. No.: **29/196,808**

The ornamental design for shower head, as shown and  
described.

(22) Filed: **Jan. 7, 2004**

**DESCRIPTION**

(51) **LOC (7) Cl.** ..... **23-01**

FIG. 1 is perspective view of a shower head showing my  
new design;

(52) **U.S. Cl.** ..... **D23/213**

FIG. 2 is a front side elevation view thereof;

(58) **Field of Search** ..... D23/213, 229,  
D23/230; 239/587.1, 282, 283; 4/615

FIG. 3 is a rear side elevation view thereof;

FIG. 4 is a right side elevation view thereof;

FIG. 5 is a left side elevation view thereof;

FIG. 6 is a top plan view thereof; and,

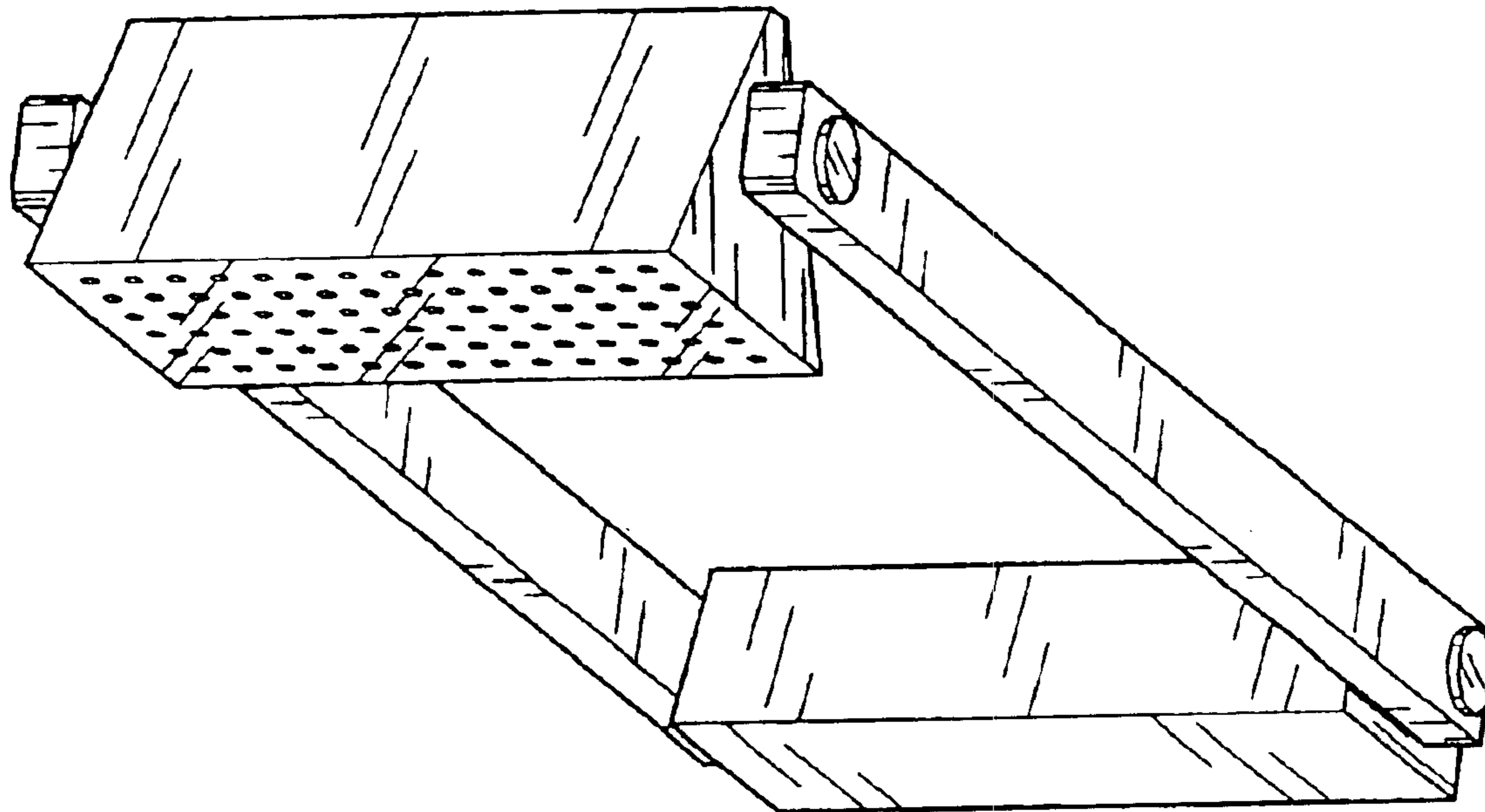
FIG. 7 is a bottom plan view thereof.

(56) **References Cited**

**U.S. PATENT DOCUMENTS**

6,042,027 A \* 3/2000 Sandvik ..... 239/422  
D453,550 S \* 2/2002 Lobermeier ..... D23/228

**1 Claim, 4 Drawing Sheets**



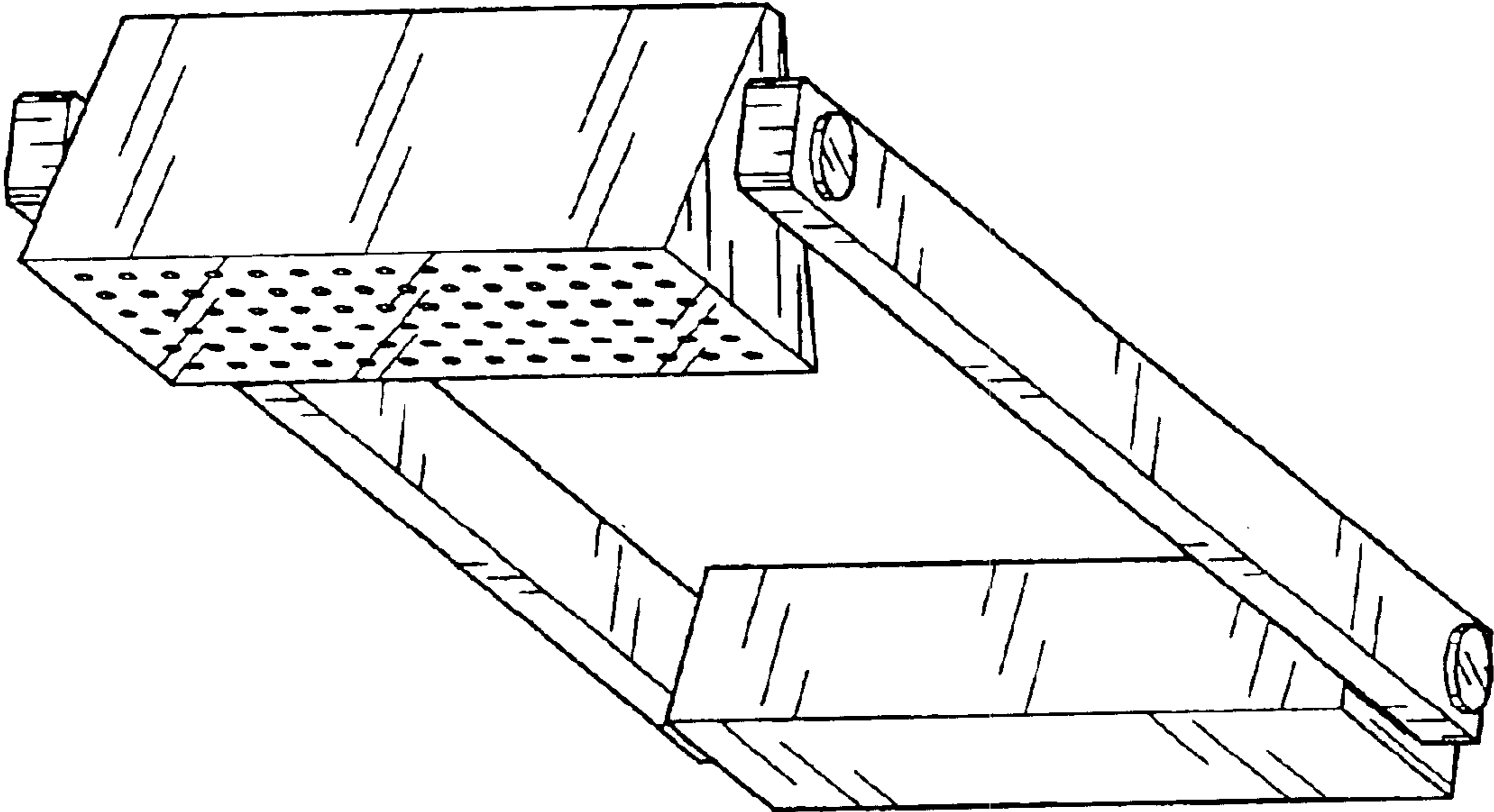


FIG. 1

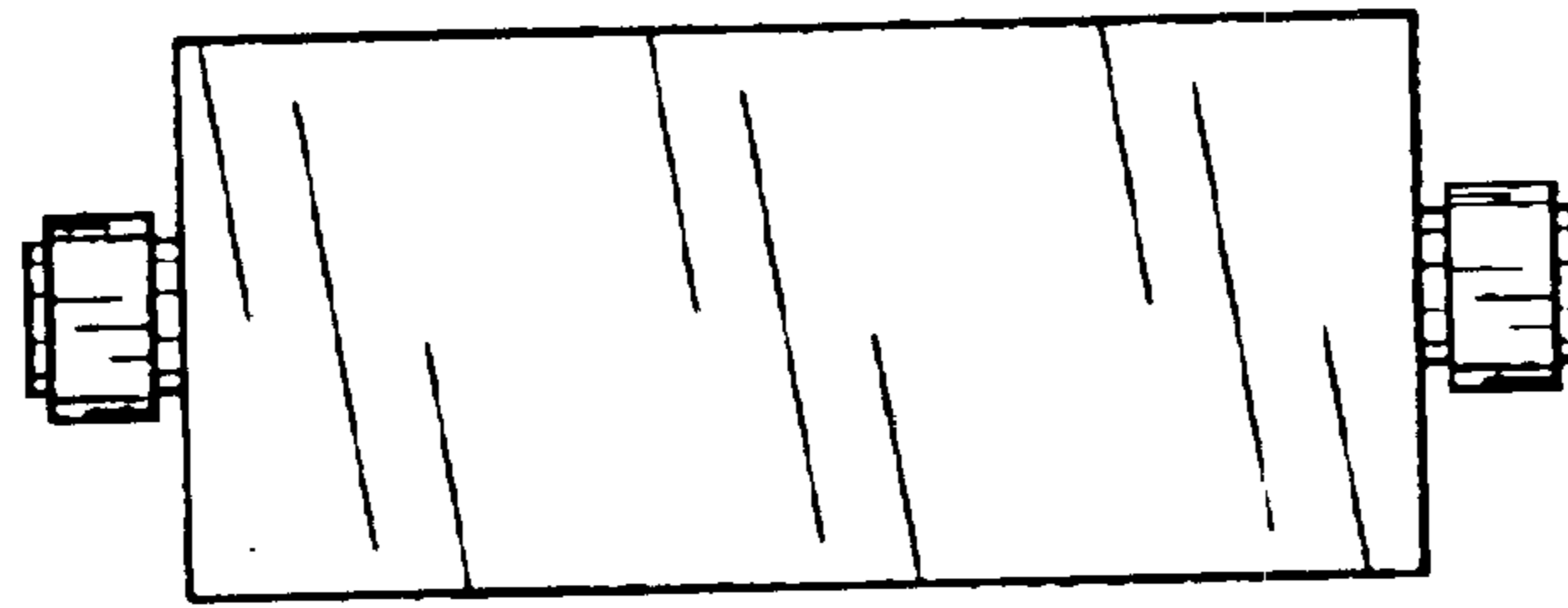


FIG. 2

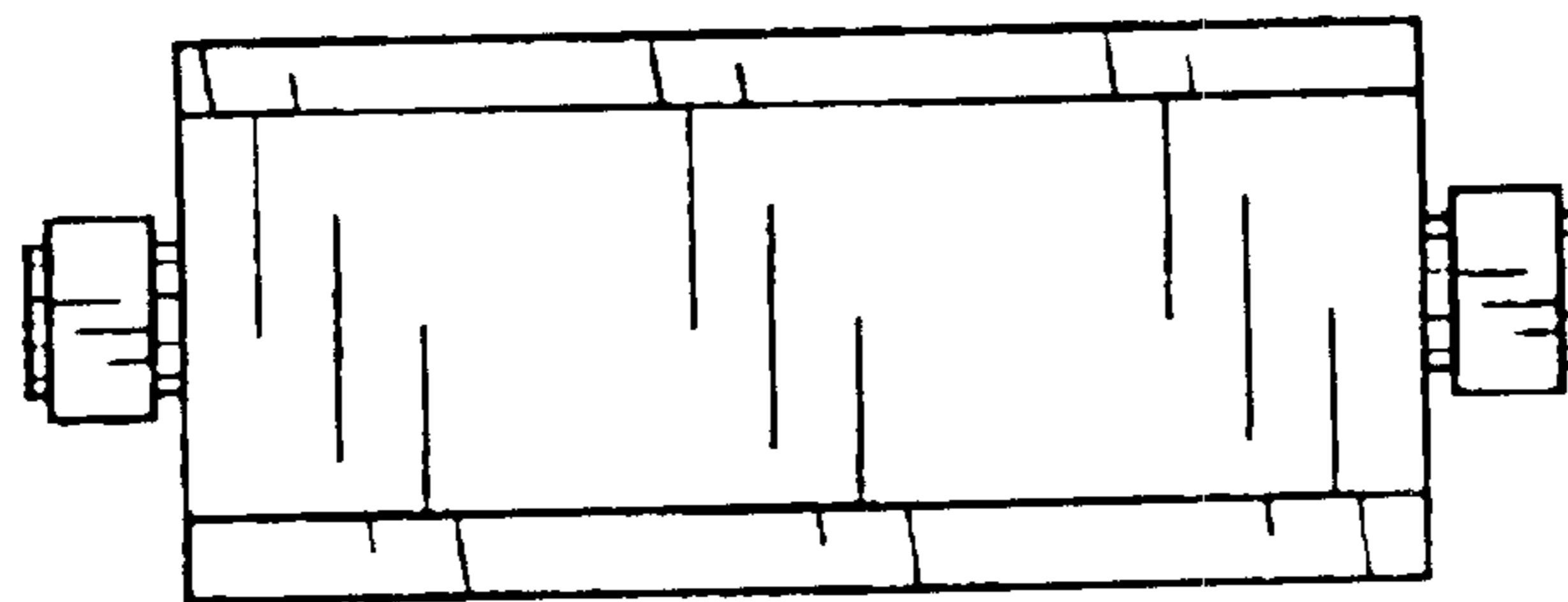


FIG. 3

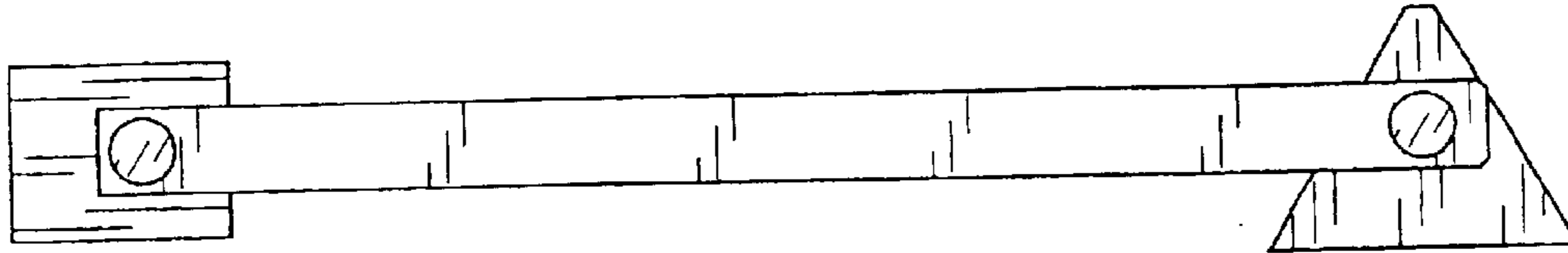


FIG. 4

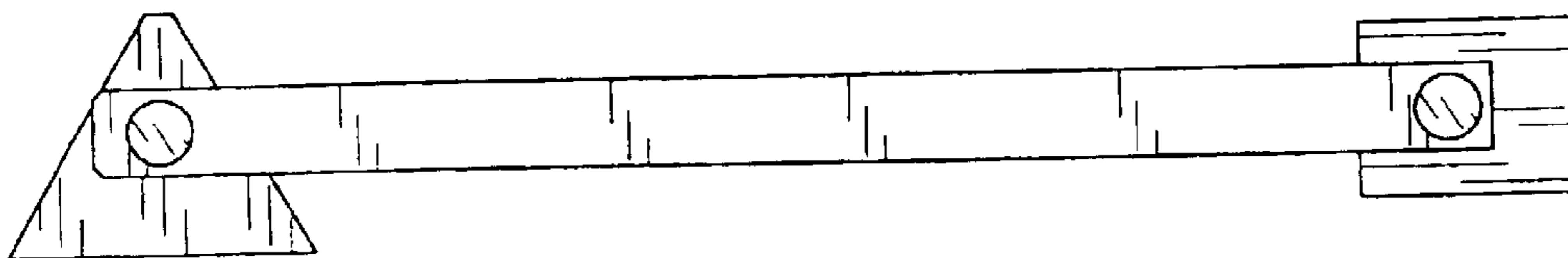


FIG. 5

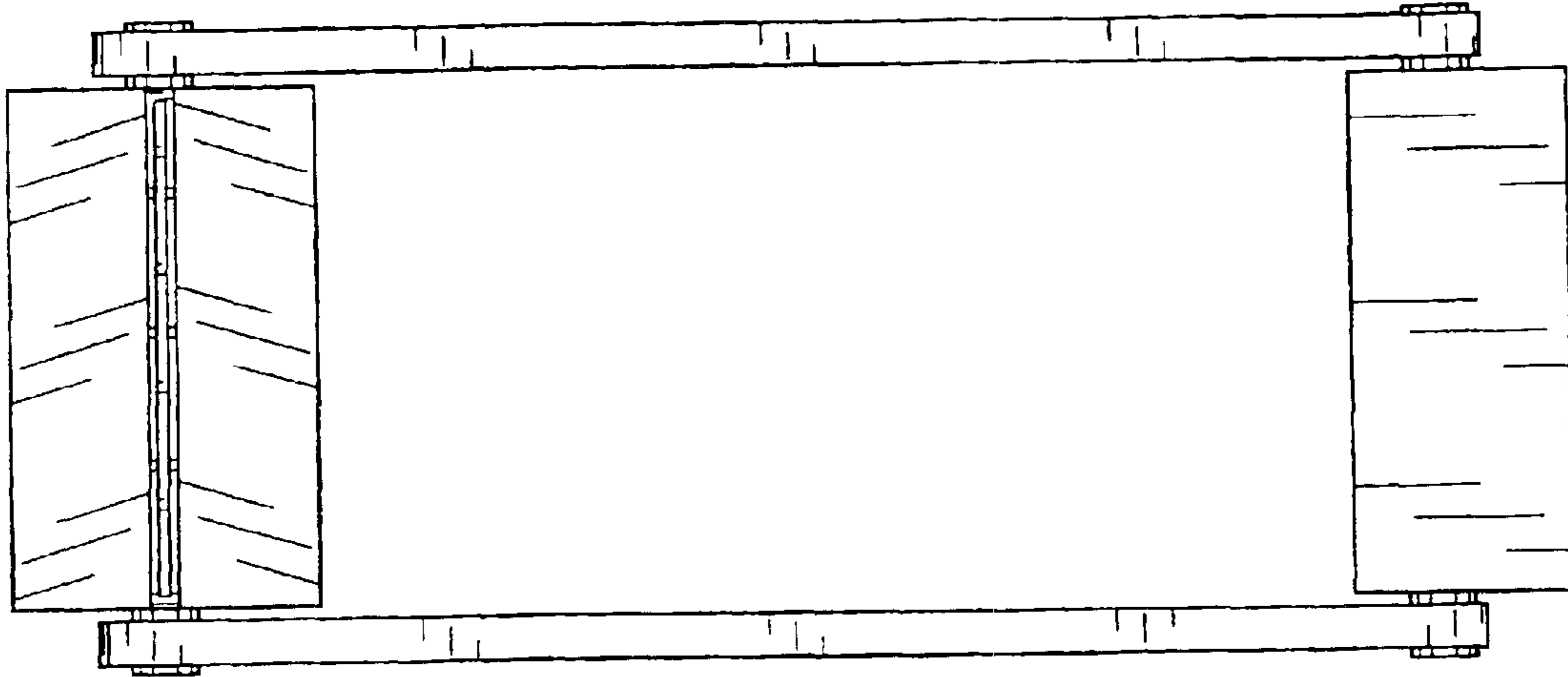


FIG. 6

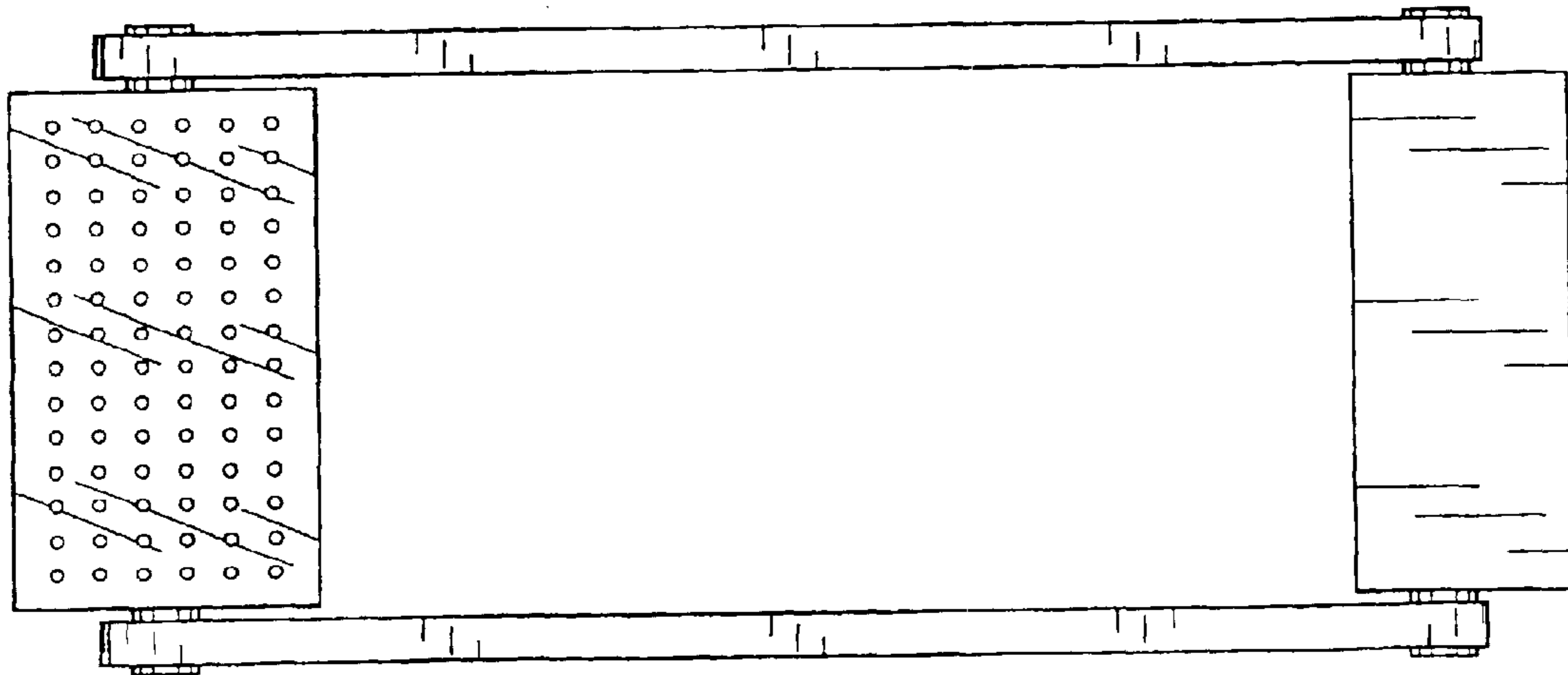


FIG. 7