

US00D503207S

(12) **United States Design Patent**
Salva

(10) **Patent No.: US D503,207 S**

(45) **Date of Patent: ** Mar. 22, 2005**

(54) **GAS POWERED GUN**

(75) **Inventor: Francisco Casas Salva, Barcelona (ES)**

(73) **Assignee: Industries El Gamo, S.A., Barcelona (ES)**

(**) **Term: 14 Years**

(21) **Appl. No.: 29/187,783**

(22) **Filed: Aug. 6, 2003**

(30) **Foreign Application Priority Data**

Feb. 12, 2003 (ES) 156229

(51) **LOC (7) Cl. 22-01**

(52) **U.S. Cl. D22/104**

(58) **Field of Search** D22/100, 104,
D22/105, 108, 199; D21/567, 570, 573,
574, 575; 42/1.02, 7, 50, 65, 70.11, 71.02,
74, 75.03, 117; 124/22, 37, 40; 362/114

(56) **References Cited**

U.S. PATENT DOCUMENTS

5,042,185 A * 8/1991 Justice, Sr. 42/70.11
5,229,532 A * 7/1993 Brooks 42/70.11

5,406,730 A * 4/1995 Sayre 42/1.02
D359,098 S * 6/1995 Stevens D22/104
D359,788 S * 6/1995 Ruger et al. D22/104
5,584,136 A * 12/1996 Boland et al. 42/7
D387,842 S * 12/1997 Kaminski et al. D22/104
D430,916 S * 9/2000 Bubits D22/104
D464,702 S * 10/2002 Mauch et al. D22/104

* cited by examiner

Primary Examiner—Louis S. Zarfaz

Assistant Examiner—Melanie Levy

(74) *Attorney, Agent, or Firm*—Fleshner & Kim, LLP

(57) **CLAIM**

The ornamental design for a gas powered gun, as shown and described.

DESCRIPTION

FIG. 1 is a right rear perspective view of a gas powered gun showing my new design.

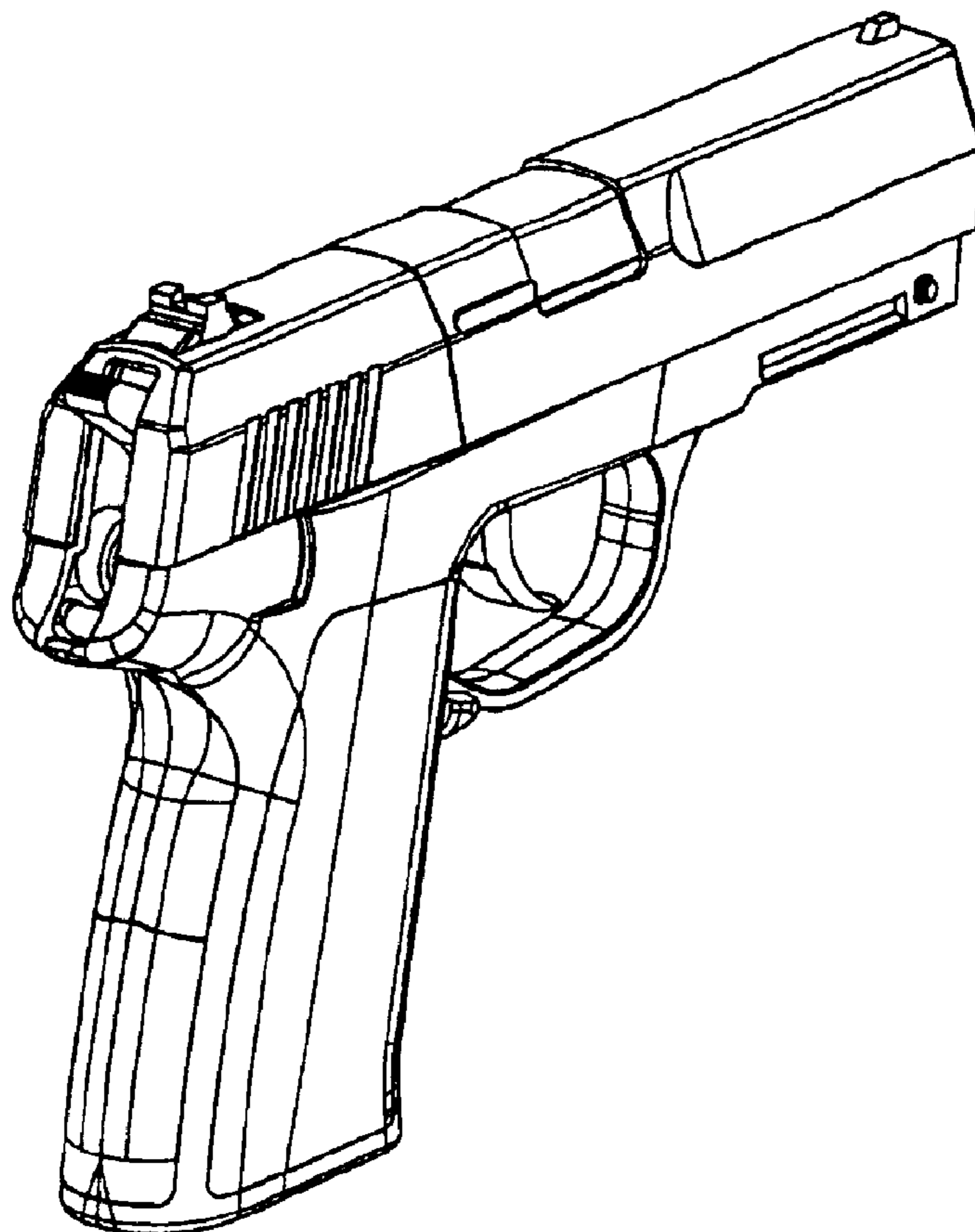
FIG. 2 is a left side elevational view thereof.

FIG. 3 is a top plan view thereof.

FIG. 4 is a front elevational view thereof; and,

FIG. 5 is a rear elevational view thereof.

1 Claim, 2 Drawing Sheets



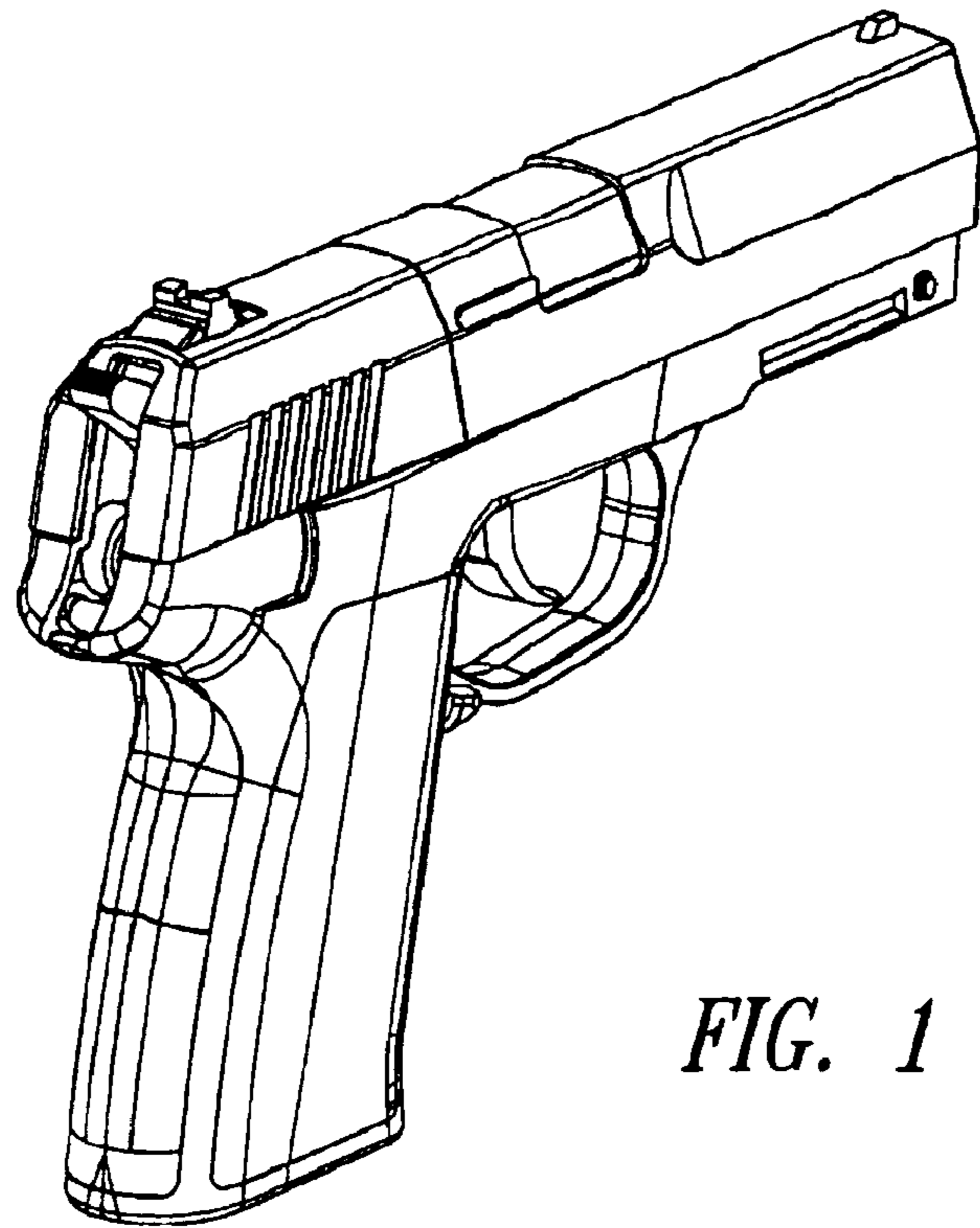


FIG. 1

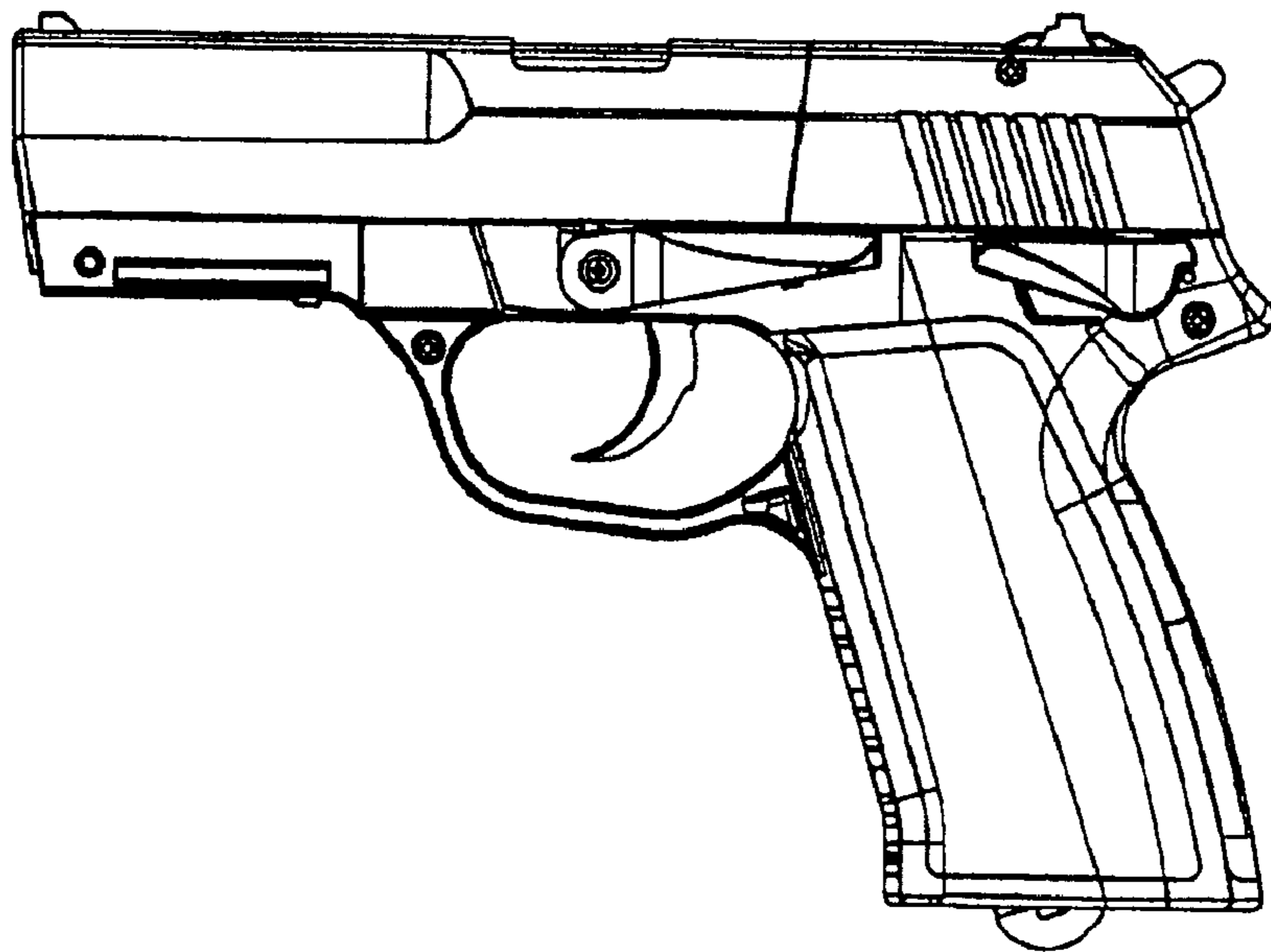


FIG. 2

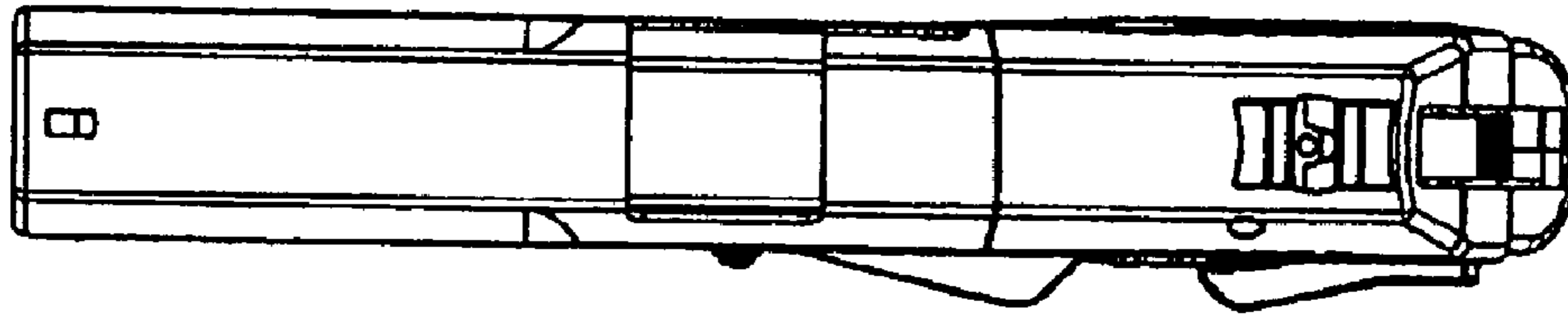


FIG. 3

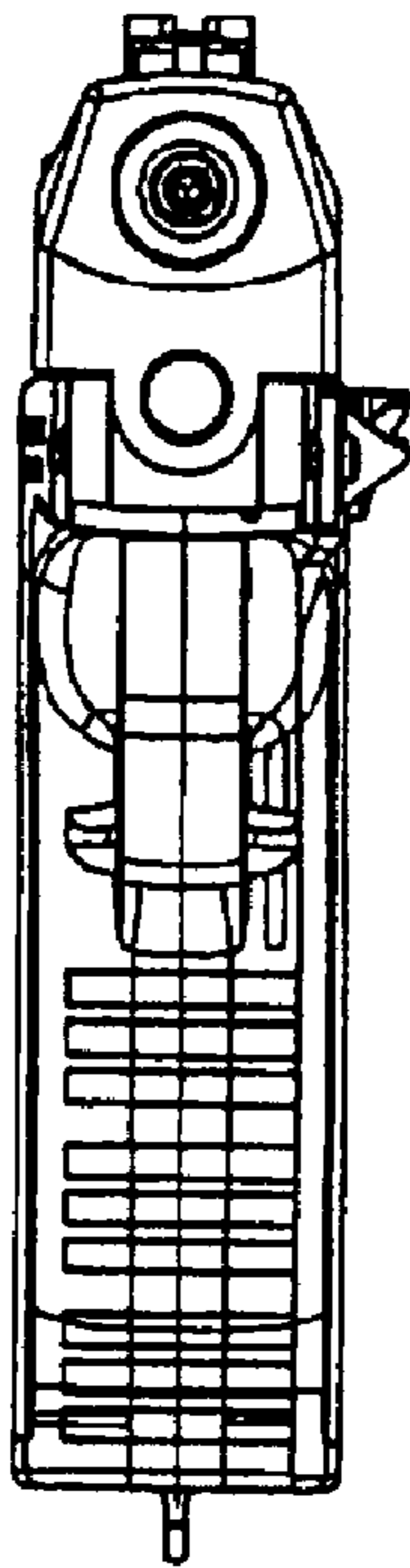


FIG. 4

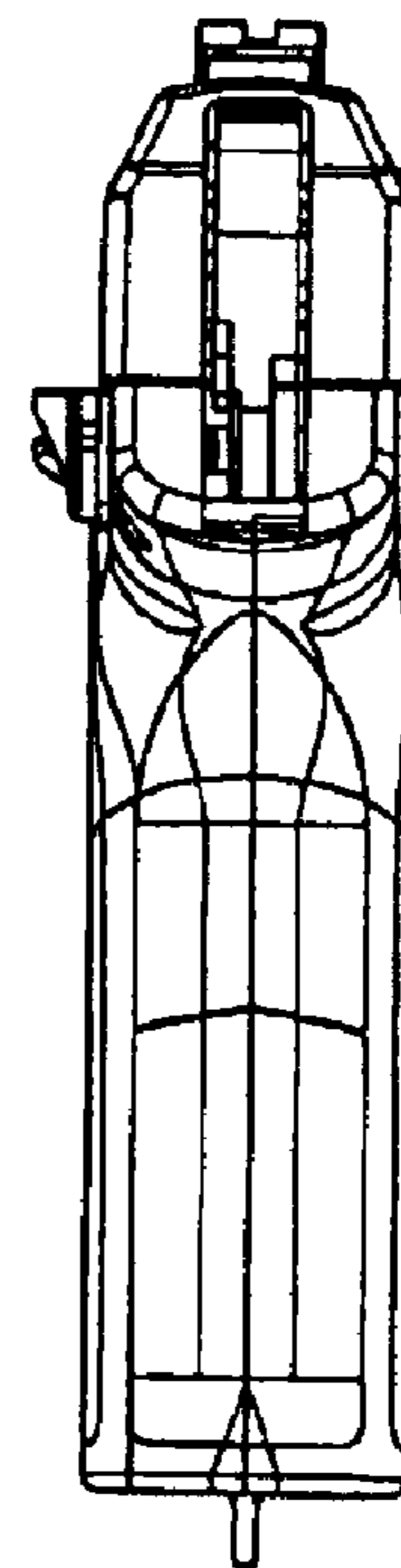


FIG. 5