

US00D503199S

(12) **United States Design Patent**  
**Wei**

(10) **Patent No.:** **US D503,199 S**  
(45) **Date of Patent:** **\*\* Mar. 22, 2005**

(54) **REMOTE CONTROLLER**

(75) Inventor: **Lim Ming Wei**, Prai Penang (MY)

(73) Assignee: **Nikko Electronics Bhd.**, Kuala Lumpur (MY)

(\*\*) Term: **14 Years**

(21) Appl. No.: **29/198,334**

(22) Filed: **Jan. 27, 2004**

(51) **LOC (7) Cl.** ..... **21-01**

(52) **U.S. Cl.** ..... **D21/566**

(58) **Field of Search** ..... D21/566, 333,  
D21/324, 329, 513; D14/401, 217-218;  
446/454-456, 141-143, 297, 404, 479;  
463/29-35, 1, 46-47

(56) **References Cited**

**U.S. PATENT DOCUMENTS**

D263,858 S	*	4/1982	Ngai	.....	D21/566
D283,718 S	*	5/1986	Kondo	.....	D21/566
D302,446 S	*	7/1989	Cheng	.....	D21/566
D313,439 S	*	1/1991	Kohno	.....	D21/566
D323,361 S	*	1/1992	Kohno	.....	D21/566
5,158,495 A	*	10/1992	Yonezawa	.....	446/456

D464,684 S	*	10/2002	Arai et al.	.....	D21/566
D478,638 S	*	8/2003	Mukaida	.....	D21/566
D480,117 S	*	9/2003	Mukaida	.....	D21/566

**OTHER PUBLICATIONS**

Radio Control—Car Action, p. 190, Mar. 1990.\*

\* cited by examiner

*Primary Examiner*—Raphael Barkai

(74) *Attorney, Agent, or Firm*—Young Law Firm, P.C.

(57) **CLAIM**

The ornamental design for a remote controller, as shown.

**DESCRIPTION**

FIG. 1 is a perspective view of the remote controller according to the present invention.

FIG. 2 is a front view of the remote controller of FIG. 1.

FIG. 3 is a rear view of the remote controller of FIG. 1.

FIG. 4 is a top view of the remote controller of FIG. 1.

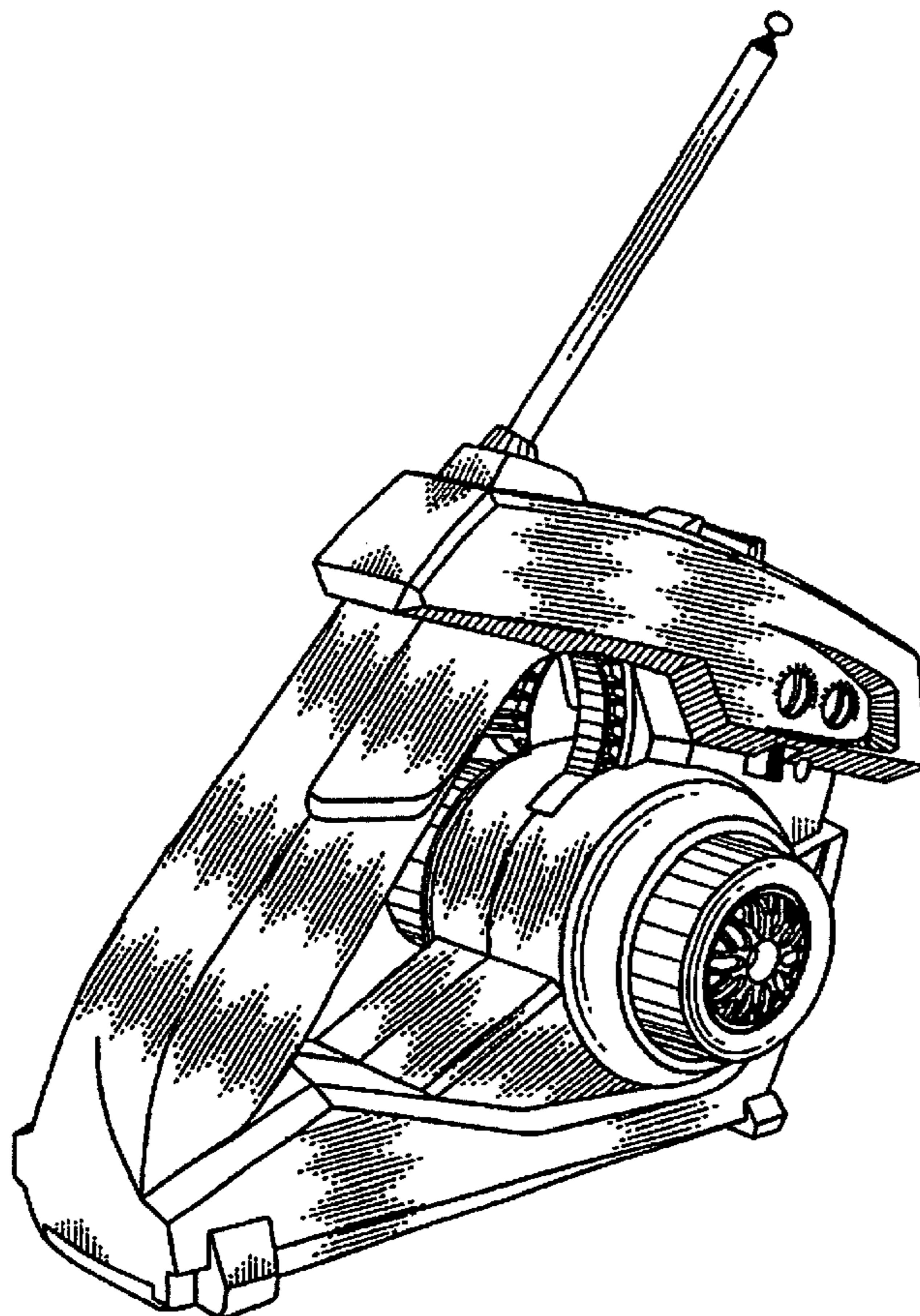
FIG. 5 is a bottom view of the remote controller of FIG. 1.

FIG. 6 is a left side view of the remote controller of FIG. 1;

and,

FIG. 7 is a right side view of the remote controller of FIG. 1.

**1 Claim, 7 Drawing Sheets**



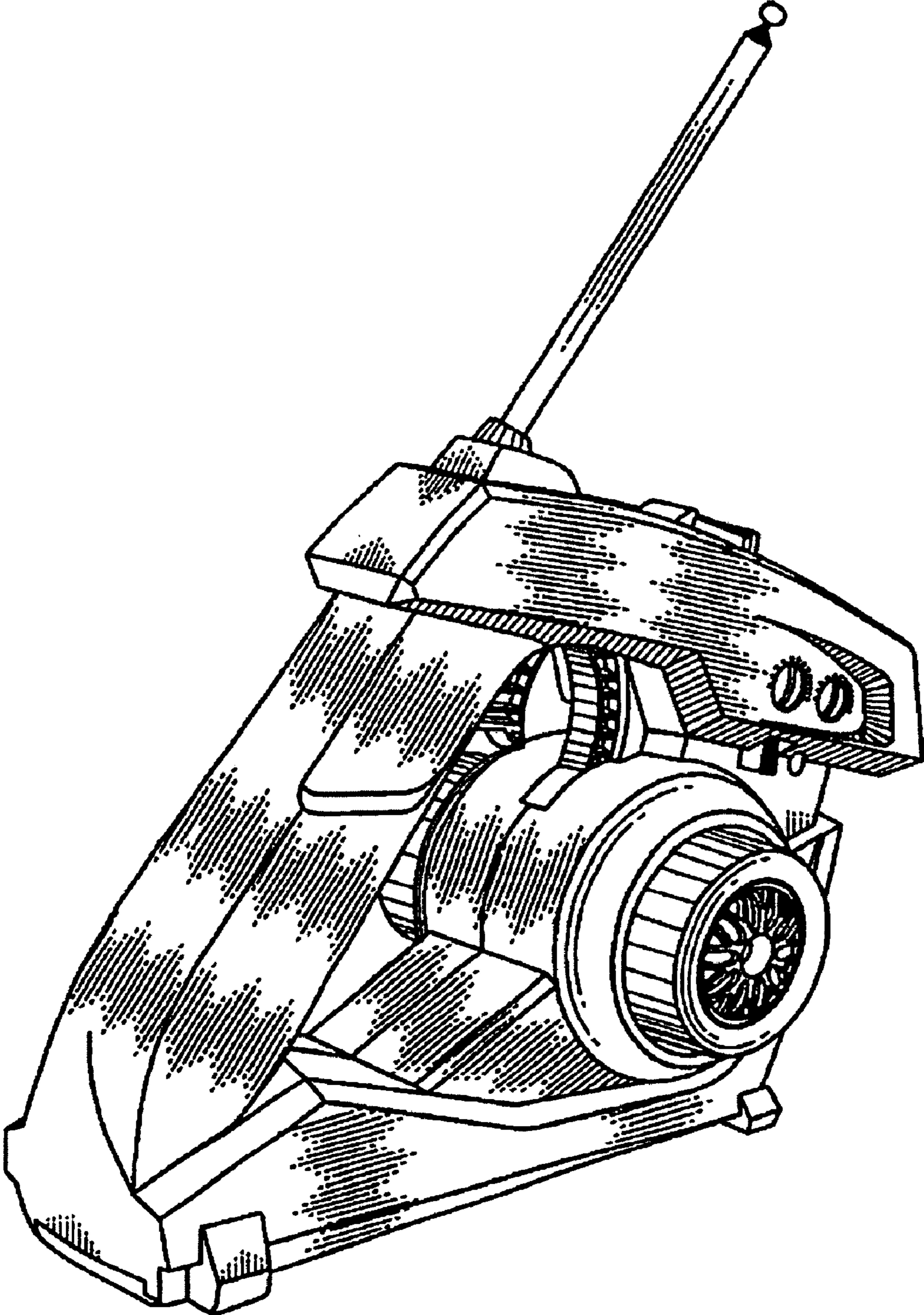
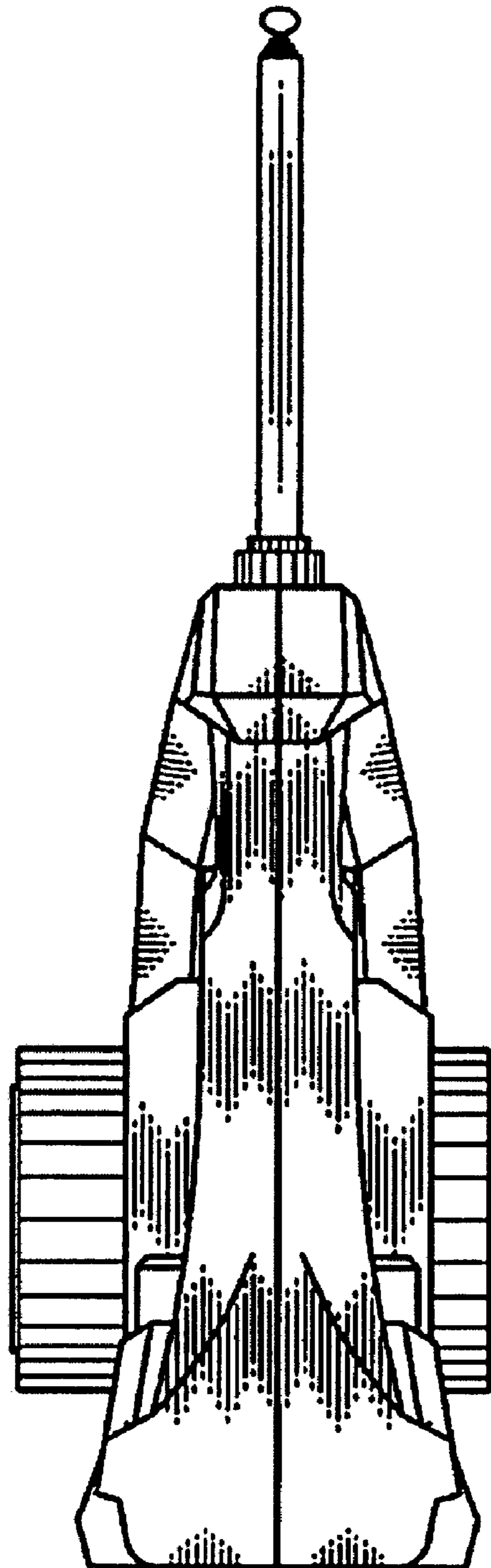
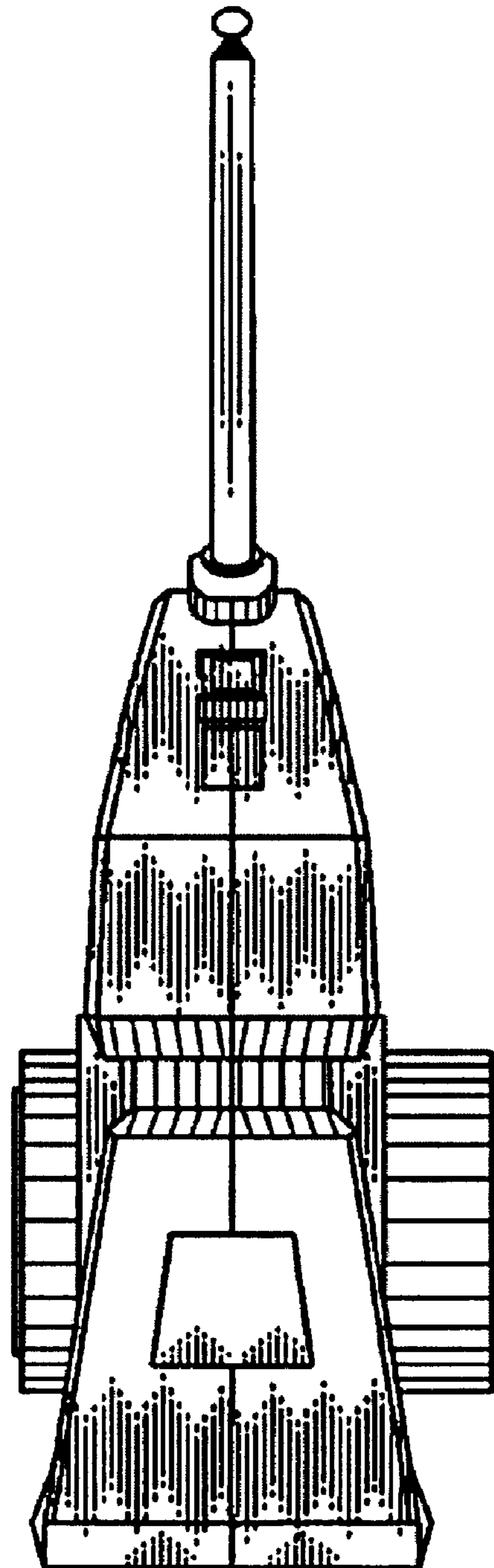


FIG. 1

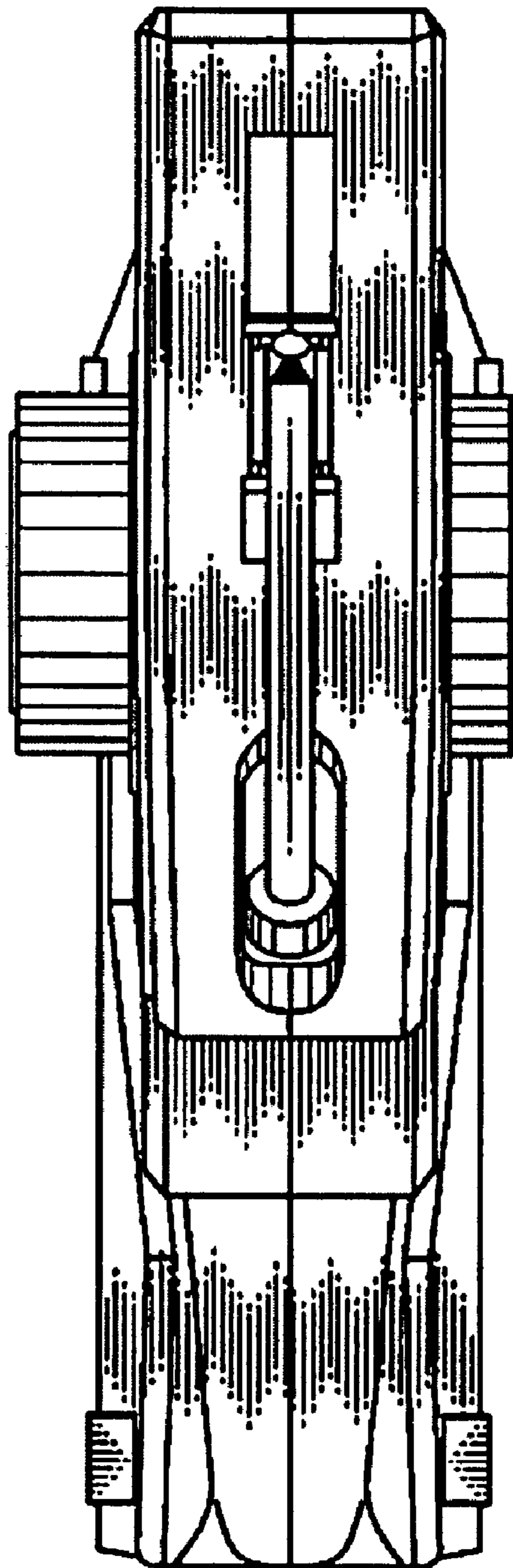


*FIG. 2*

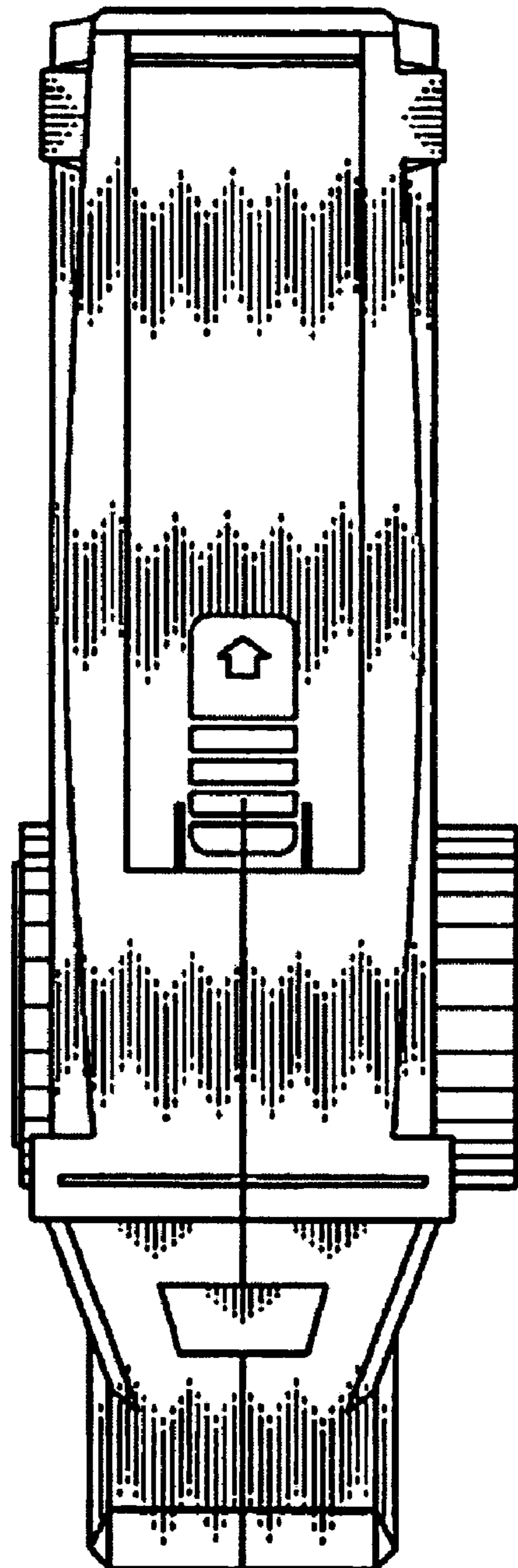


*FIG. 3*





*FIG. 4*



*FIG. 5*

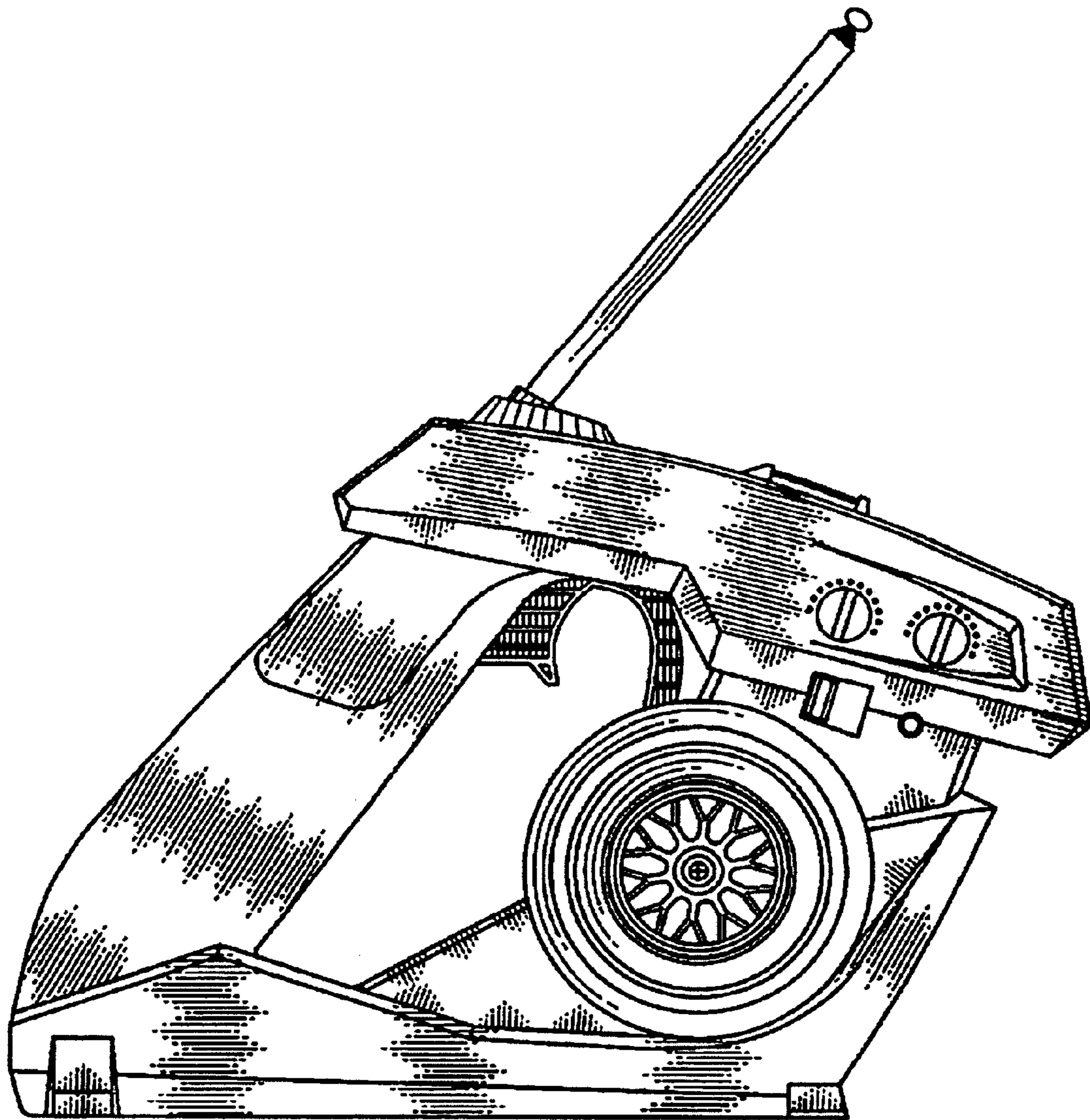


FIG. 6

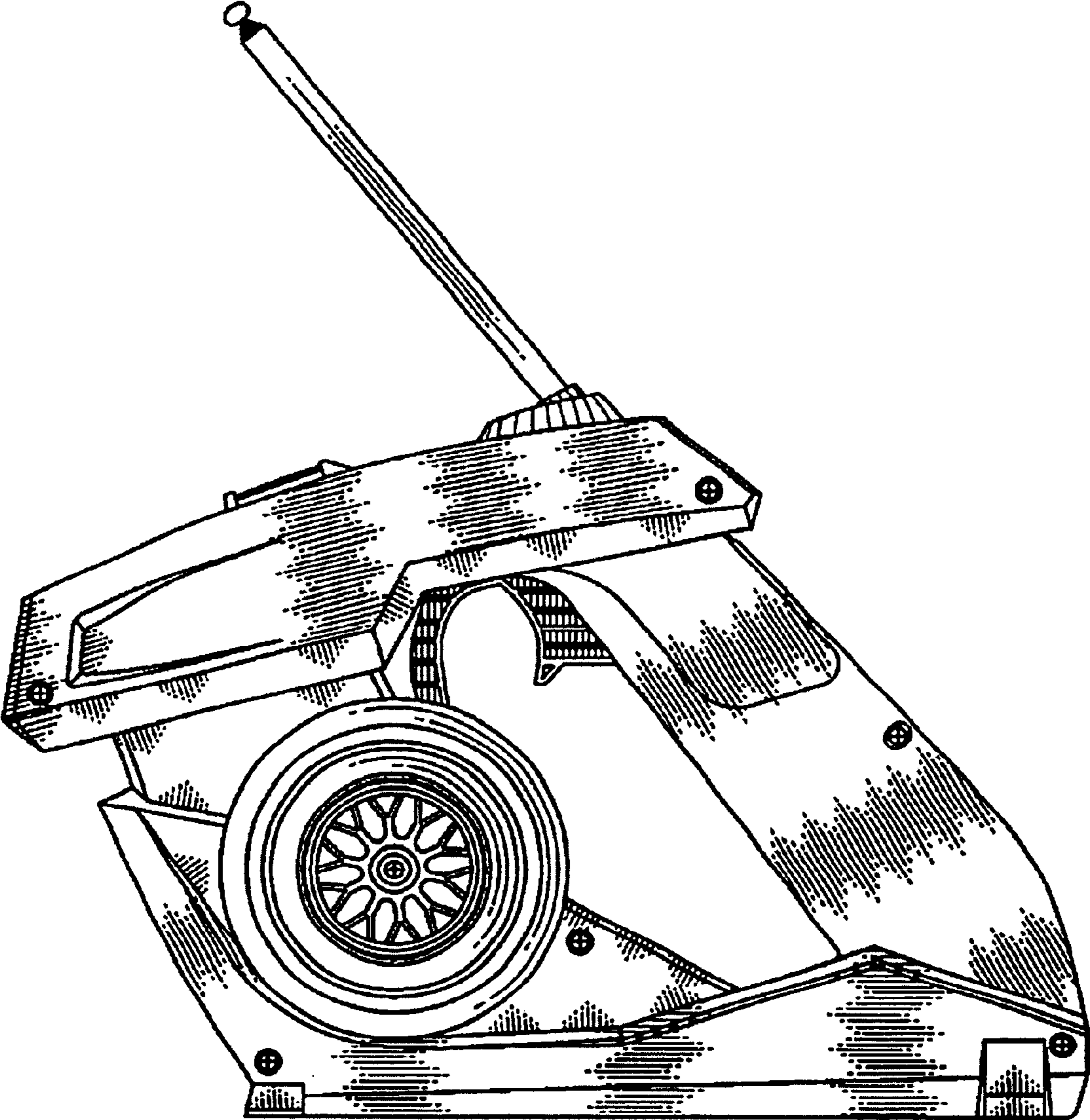


FIG. 7